



US00D649371S

(12) **United States Design Patent**  
**Wilcox et al.**

(10) **Patent No.:** **US D649,371 S**

(45) **Date of Patent:** **\*\* Nov. 29, 2011**

(54) **FURNITURE FOR COVERING TOILET**

(76) Inventors: **June Wilcox**, Greenville, SC (US);  
**Stephanie Buccolo**, Greenville, SC  
(US); **Elaine Moreland**, Greenville, SC  
(US)

(\*\*) Term: **14 Years**

(21) Appl. No.: **29/358,755**

(22) Filed: **Mar. 31, 2010**

(51) **LOC (9) Cl.** ..... **06-01**

(52) **U.S. Cl.** ..... **D6/350**

(58) **Field of Classification Search** ..... D6/340,  
D6/349-354, 355, 491, 492, 500-502; 297/16.1,  
297/16.2, 175, 181, 186, 187, 195.1, 215.16,  
297/440.12, 461, 462, DIG. 2

See application file for complete search history.

(56) **References Cited**

U.S. PATENT DOCUMENTS

431,058	A *	7/1890	Kaufman	.....	312/235.1
1,293,967	A *	2/1919	Stadler	.....	182/21
2,658,640	A *	11/1953	Bayles	.....	217/5
D181,793	S *	12/1957	Hansen	.....	D25/65
3,346,317	A *	10/1967	Peggs	.....	312/258
D212,086	S *	8/1968	Gilman	.....	D25/65
3,905,051	A	9/1975	Gozdziewski		
3,984,144	A *	10/1976	Steinbrecher	.....	297/174 R
4,139,077	A *	2/1979	Pena, Jr.	.....	182/35
4,537,282	A *	8/1985	Lobdell	.....	182/46
5,107,957	A *	4/1992	Bennett	.....	182/129
D330,462	S *	10/1992	Szablak et al.	.....	D6/350
D351,739	S *	10/1994	Cannon	.....	D6/350
5,735,586	A *	4/1998	Cheng	.....	312/235.1

D429,038	S *	8/2000	Forester	.....	D30/119
D443,072	S *	5/2001	Schultz	.....	D25/65
D465,032	S *	10/2002	Robbins et al.	.....	D25/63
D485,021	S *	1/2004	Gonzalez	.....	D30/119
D497,496	S *	10/2004	Stewart	.....	D6/443
D512,537	S *	12/2005	Barnes et al.	.....	D30/119

\* cited by examiner

*Primary Examiner* — Sandra Snapp

(74) *Attorney, Agent, or Firm* — Dority & Manning, P.A.

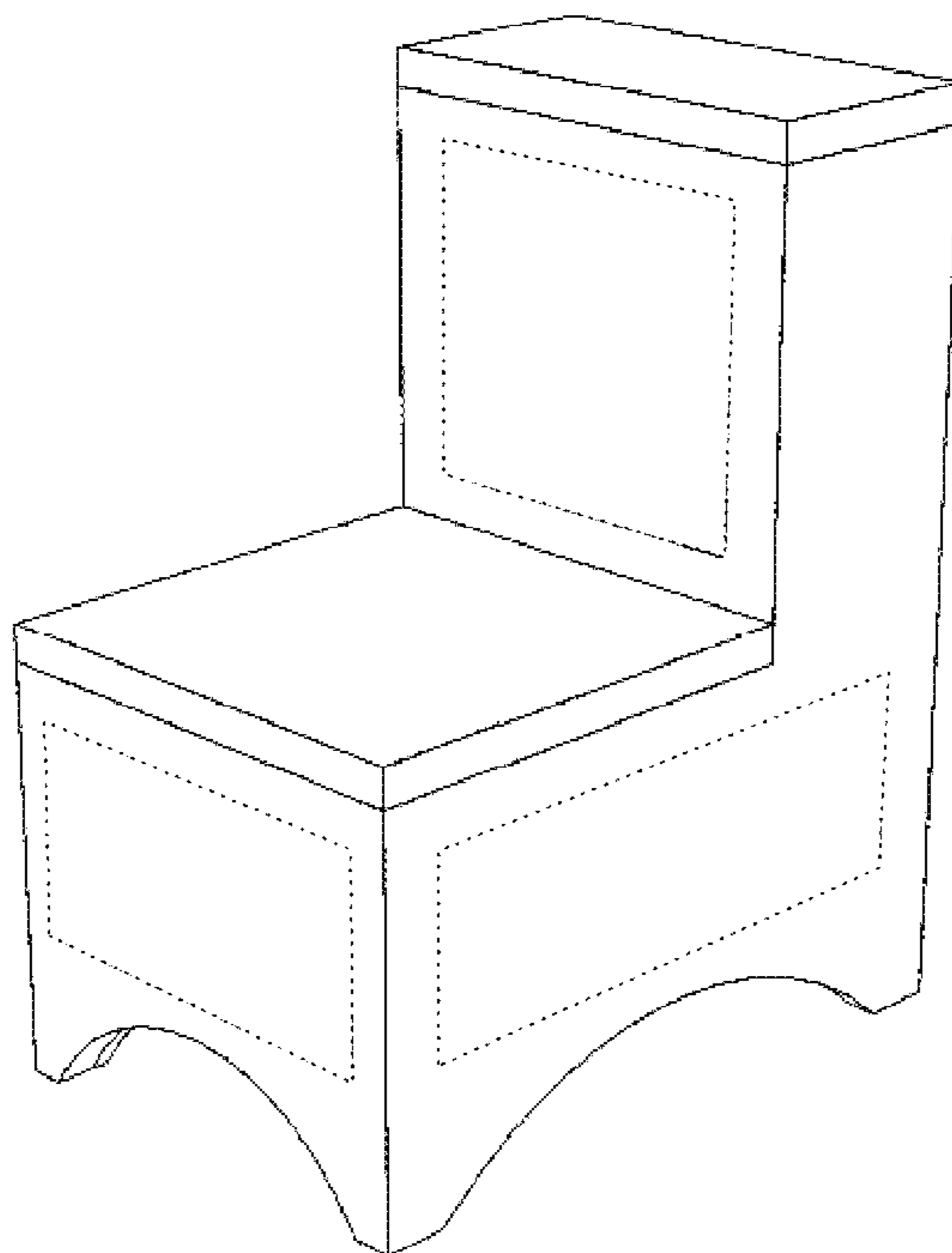
(57) **CLAIM**

The ornamental design for furniture for covering toilet, as shown and described.

**DESCRIPTION**

FIG. 1 is a perspective view of furniture for covering toilet according to an exemplary embodiment of the present design; FIG. 2 is a perspective view of furniture for covering toilet according to an exemplary embodiment of the present design; FIG. 3 is a front view of furniture for covering toilet according to an exemplary embodiment of the present design; FIG. 4 is a back view of furniture for covering toilet according to an exemplary embodiment of the present design; FIG. 5 is a side view of furniture for covering toilet according to an exemplary embodiment of the present design; FIG. 6 is a side view of furniture for covering toilet according to an exemplary embodiment of the present design; FIG. 7 is a top view of furniture for covering toilet according to an exemplary embodiment of the present design; and, FIG. 8 is a bottom view of furniture for covering toilet according to an exemplary embodiment of the present design. The broken lines are for illustrative purposes only and form no part of the claimed design.

**1 Claim, 8 Drawing Sheets**



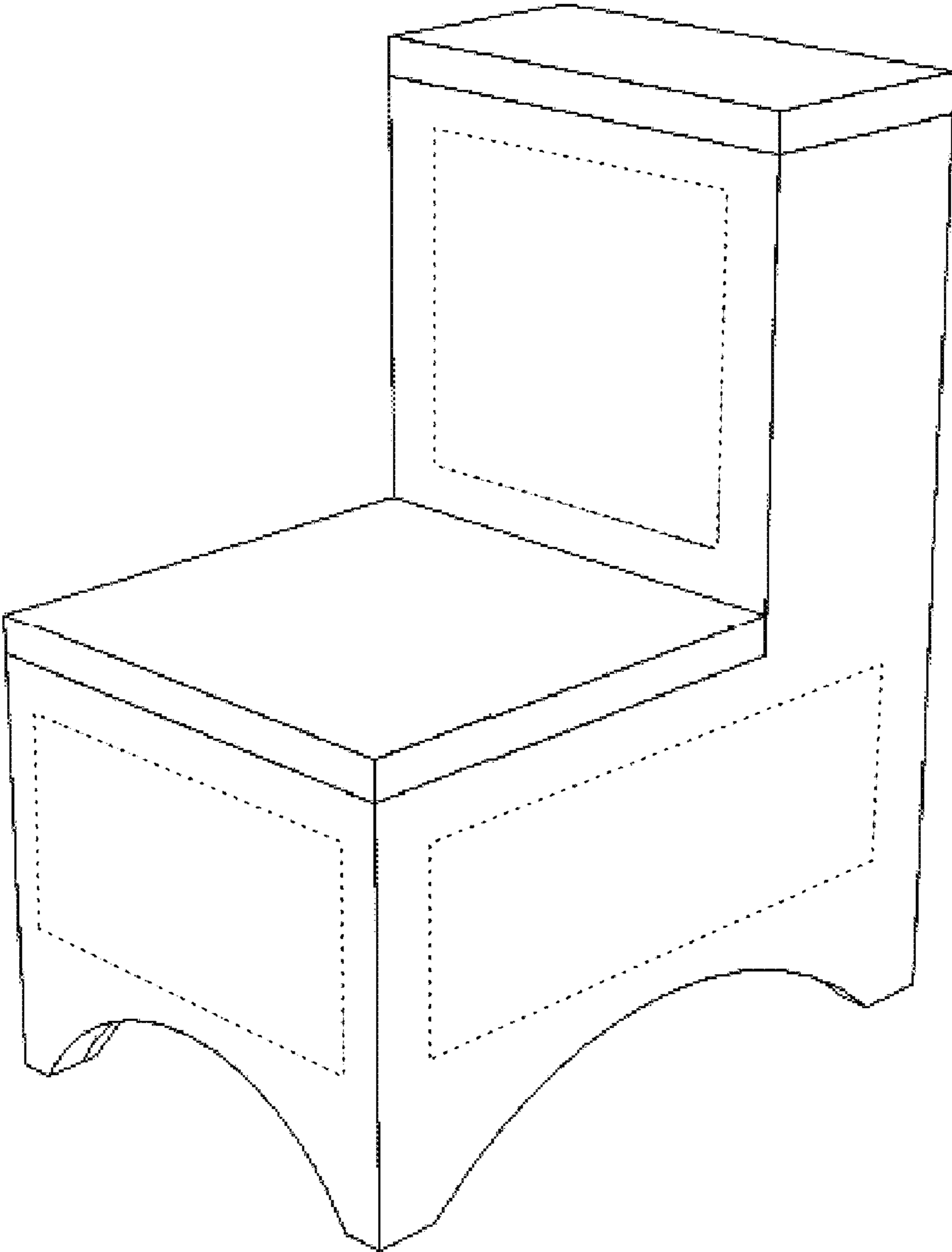


Figure 1

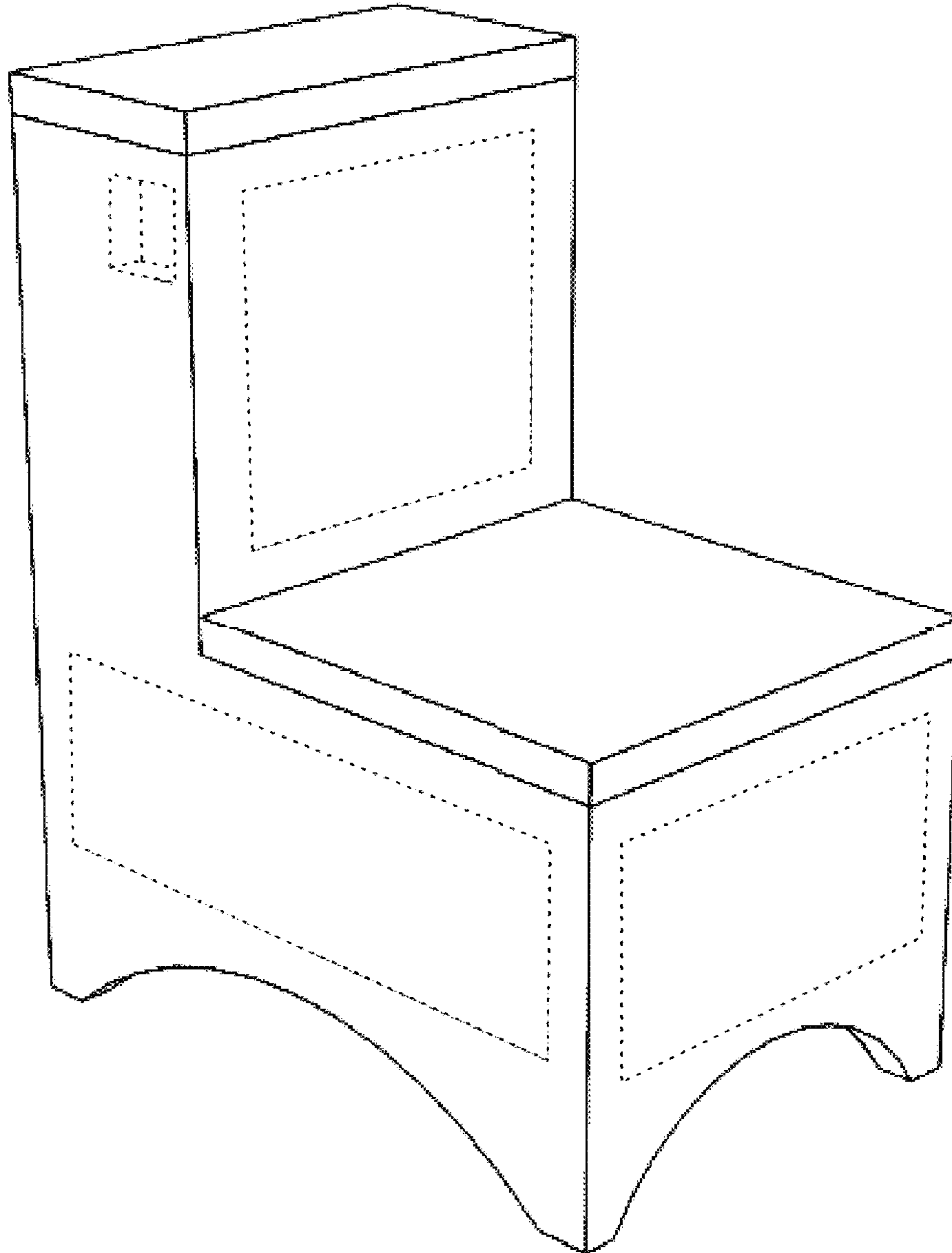


Figure 2

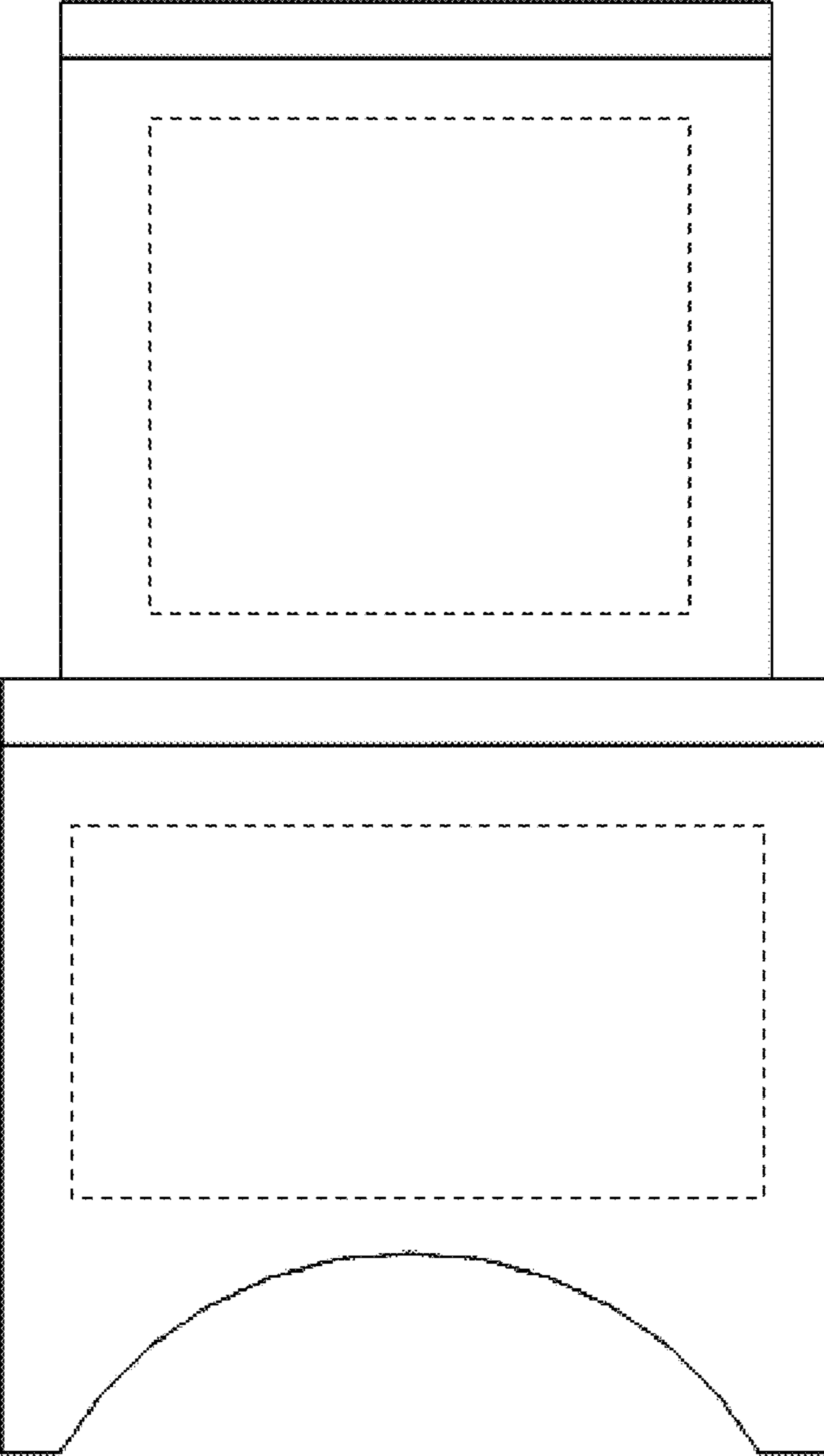


Figure 3

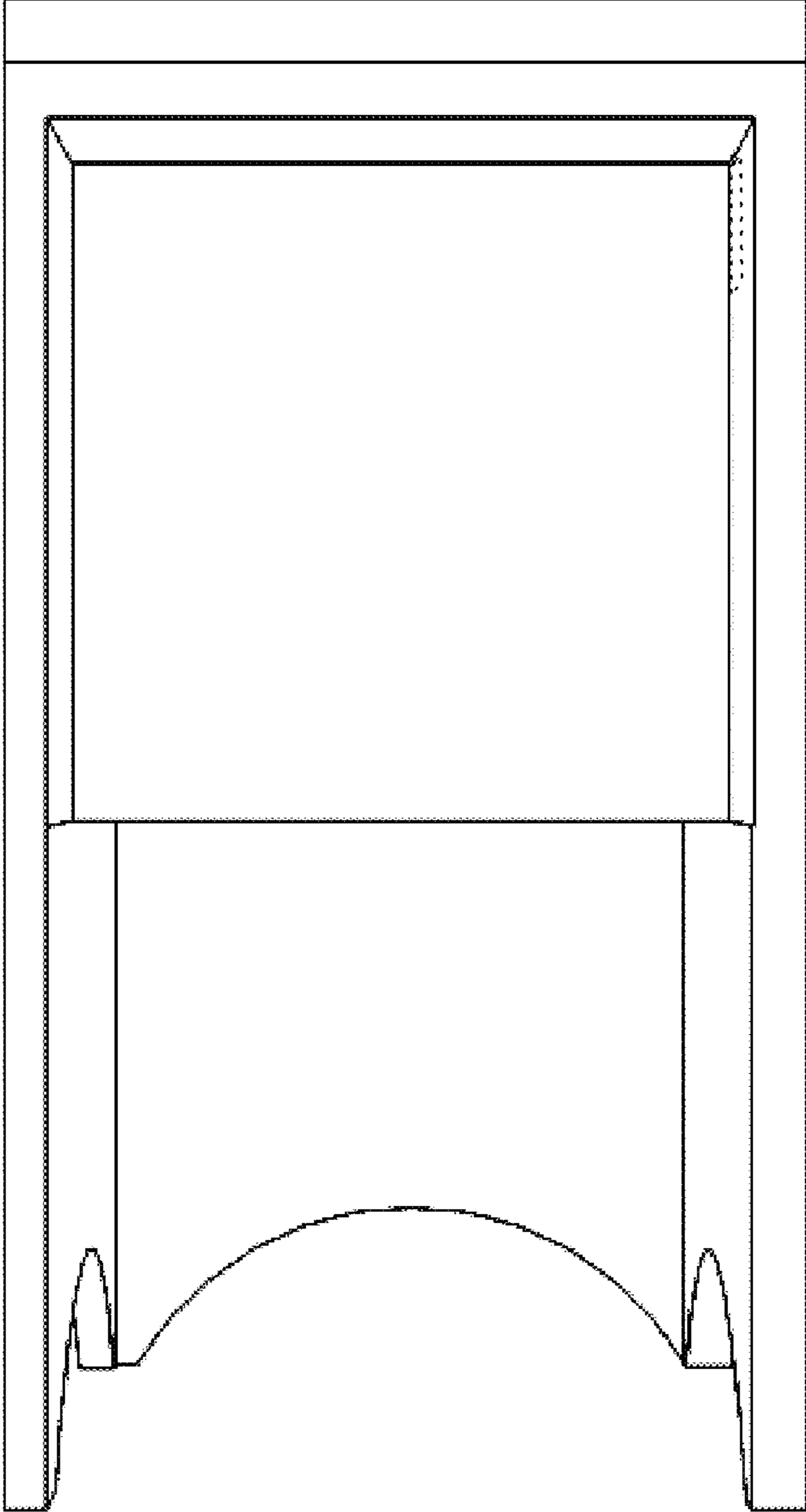


Figure 4

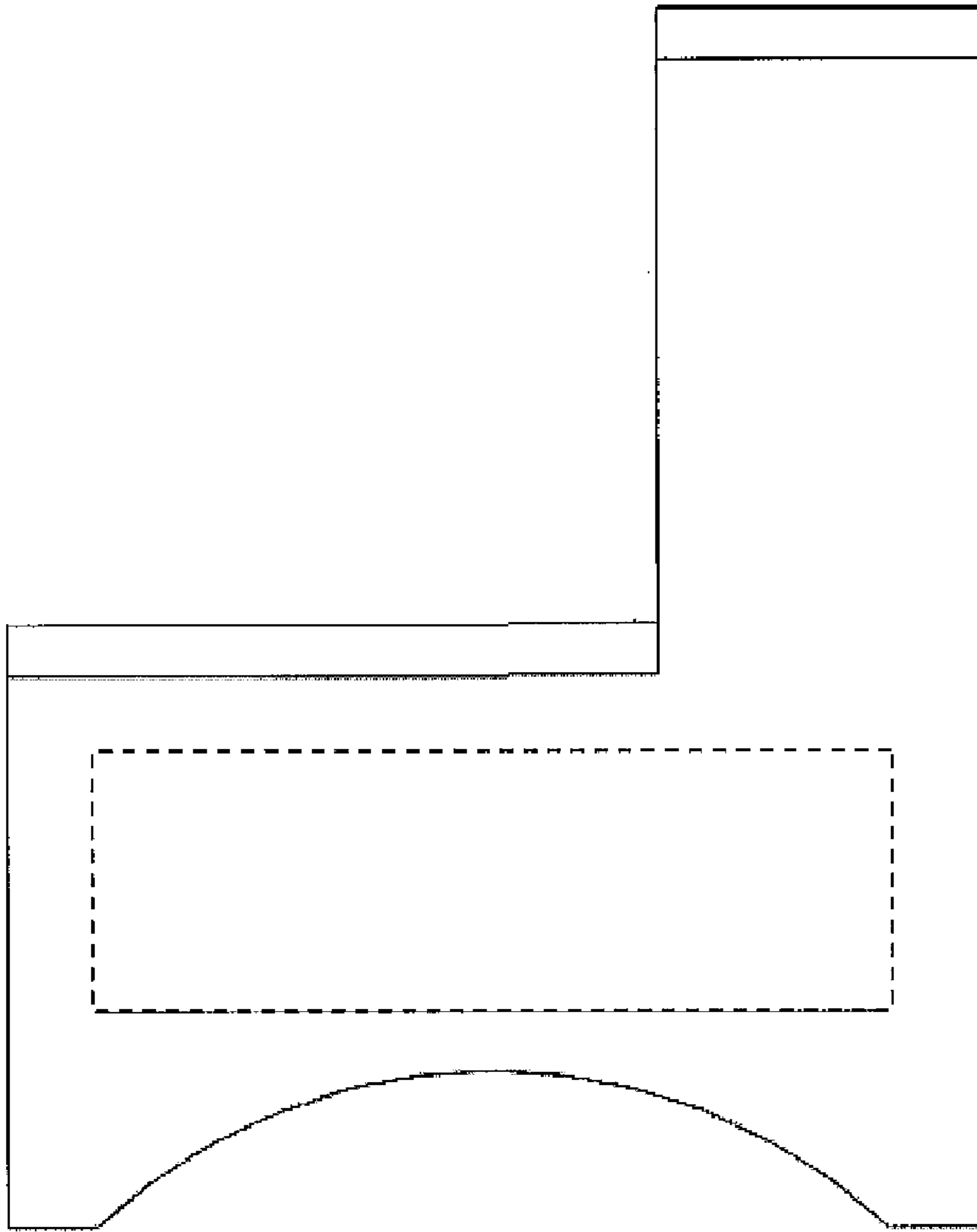


Figure 5

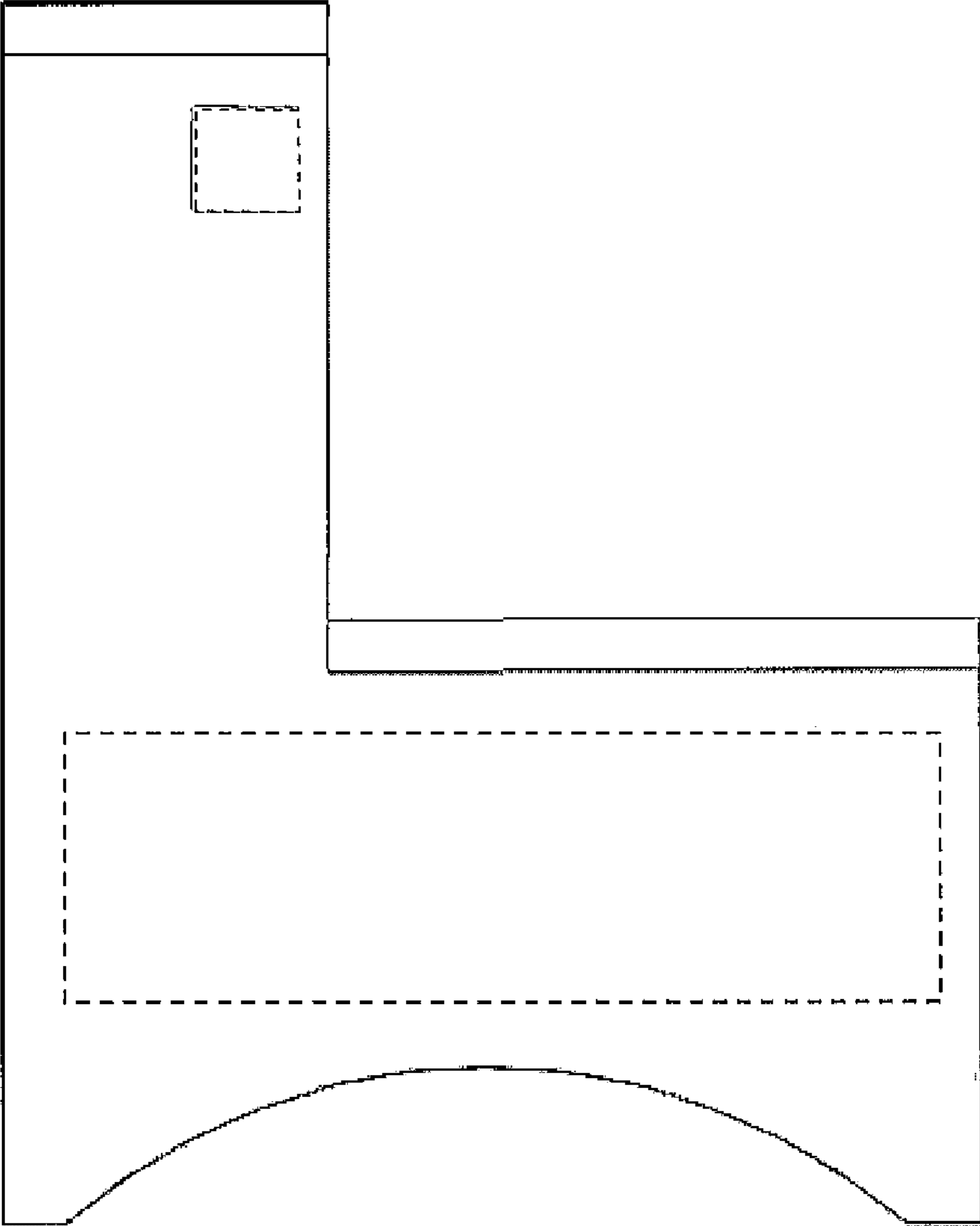


Figure 6

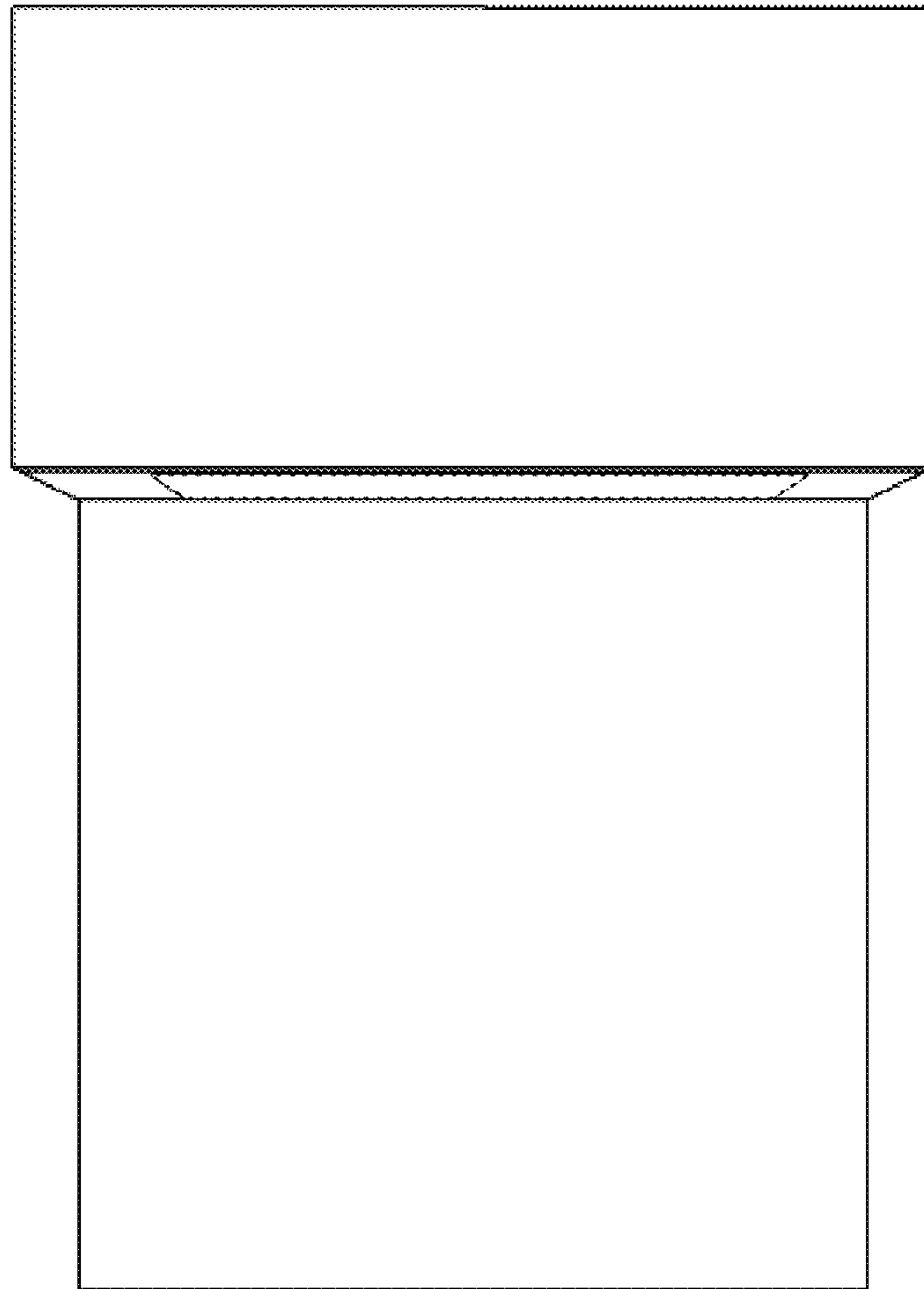


Figure 7



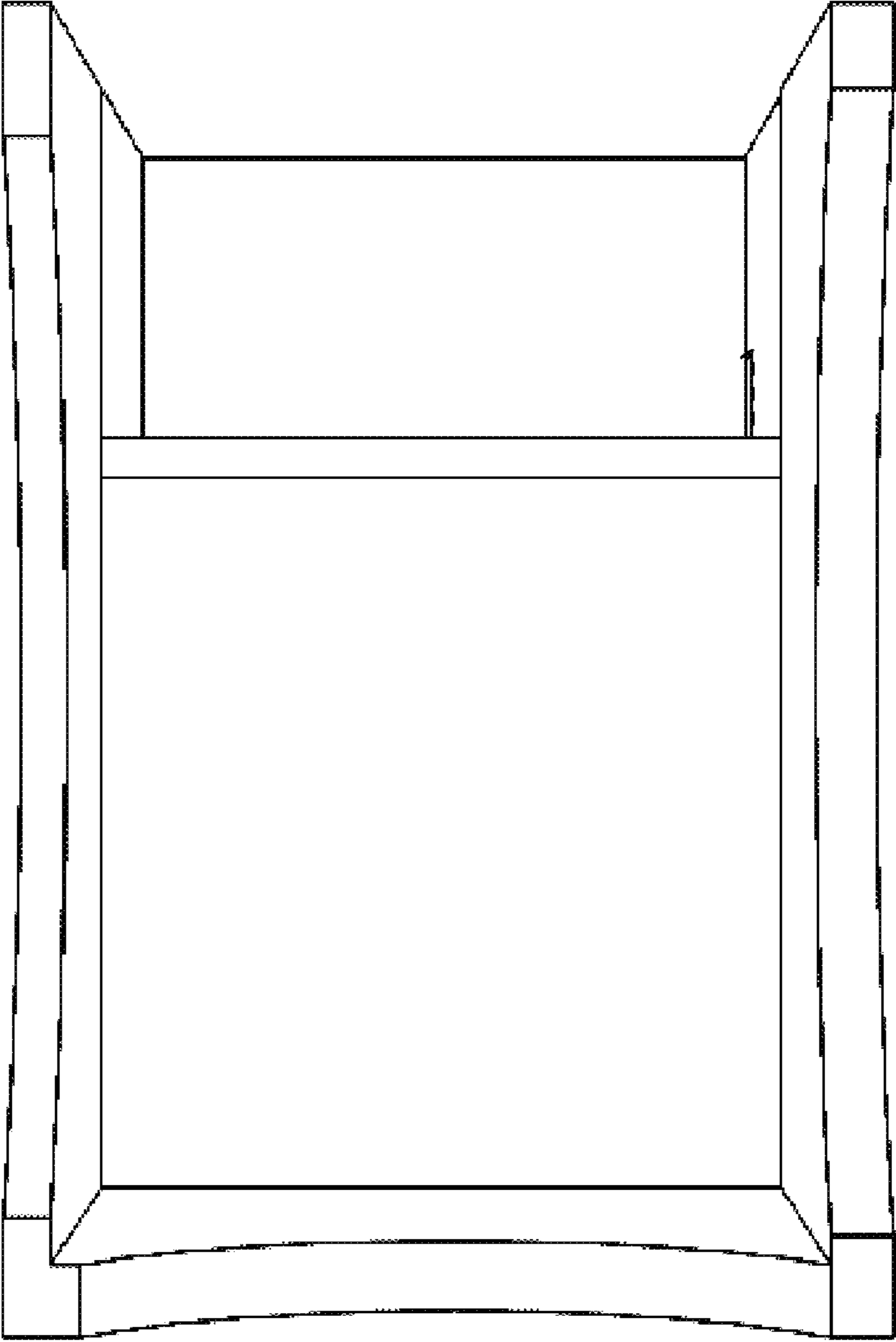


Figure 8