



US00D649370S

(12) **United States Design Patent**  
**Mann**

(10) **Patent No.:** **US D649,370 S**

(45) **Date of Patent:** **\*\* Nov. 29, 2011**

(54) **CHAISE LOUNGE**

(76) **Inventor:** **Scott E. Mann**, San Luis Obispo, CA  
(US)

(\*\*) **Term:** **14 Years**

(21) **Appl. No.:** **29/390,640**

(22) **Filed:** **Apr. 27, 2011**

(51) **LOC (9) Cl.** ..... **06-01**

(52) **U.S. Cl.** ..... **D6/348; D6/361**

(58) **Field of Classification Search** ..... D6/334,  
D6/335, 336, 348, 361, 364, 374, 375, 376,  
D6/500-502; 297/258.1, 271.5, 271.6; D21/688  
See application file for complete search history.

(56) **References Cited**

**U.S. PATENT DOCUMENTS**

D214,835 S *	8/1969	Lockwood	.....	D6/348
D245,132 S *	7/1977	Gale, Jr.	.....	D6/348
D286,802 S *	11/1986	Ahlberg	.....	D21/688
4,919,481 A *	4/1990	Garabedian	.....	297/271.6
D365,610 S *	12/1995	Fraser	.....	D21/688
D422,800 S *	4/2000	Lau	.....	D6/348

**OTHER PUBLICATIONS**

Draft advertising flyer; Mann (Inventor) publicly disclosed Oct. 29, 2010.

\* cited by examiner

*Primary Examiner* — Mimosa De

(74) *Attorney, Agent, or Firm* — Philip A Steiner

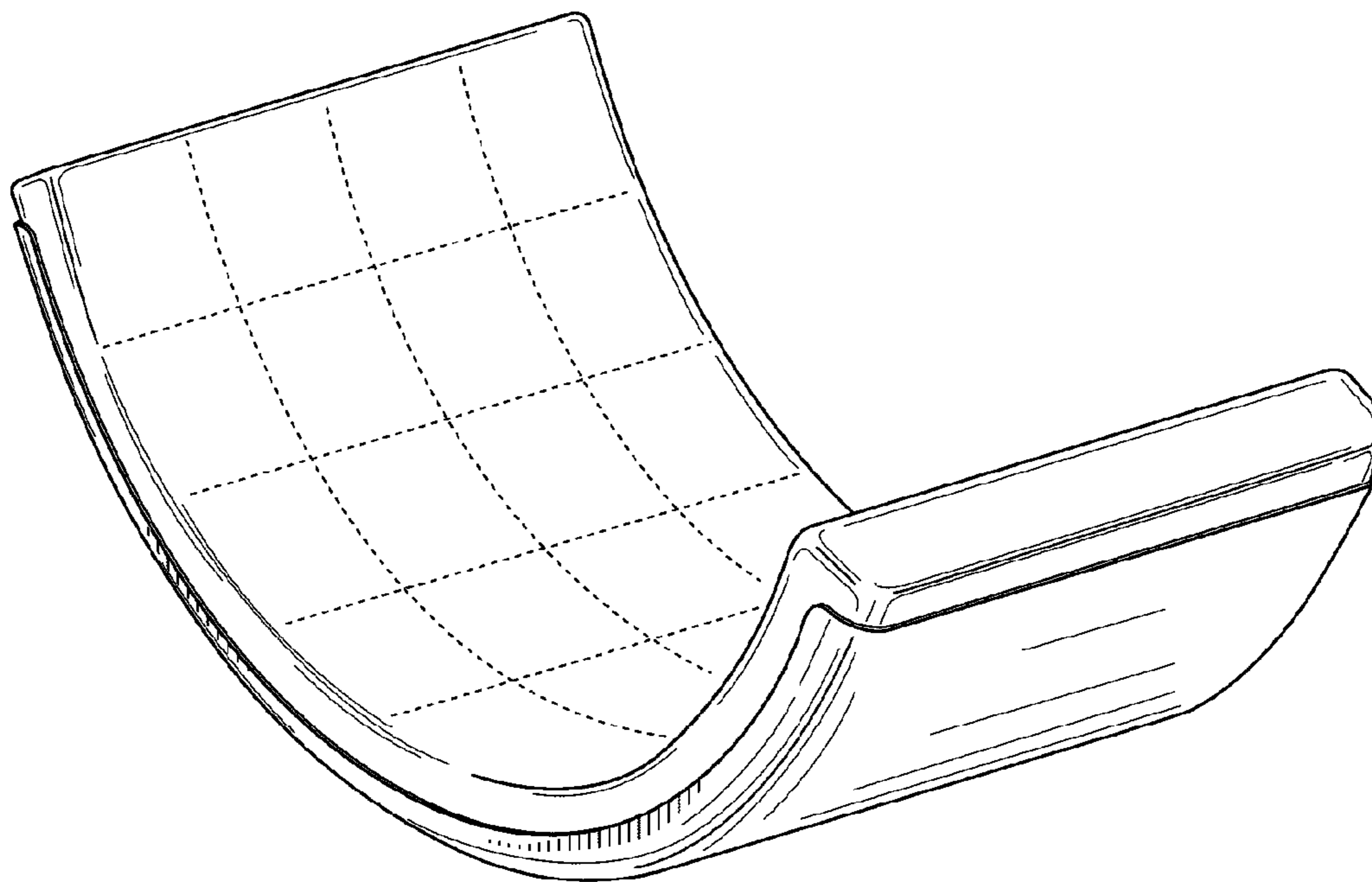
(57) **CLAIM**

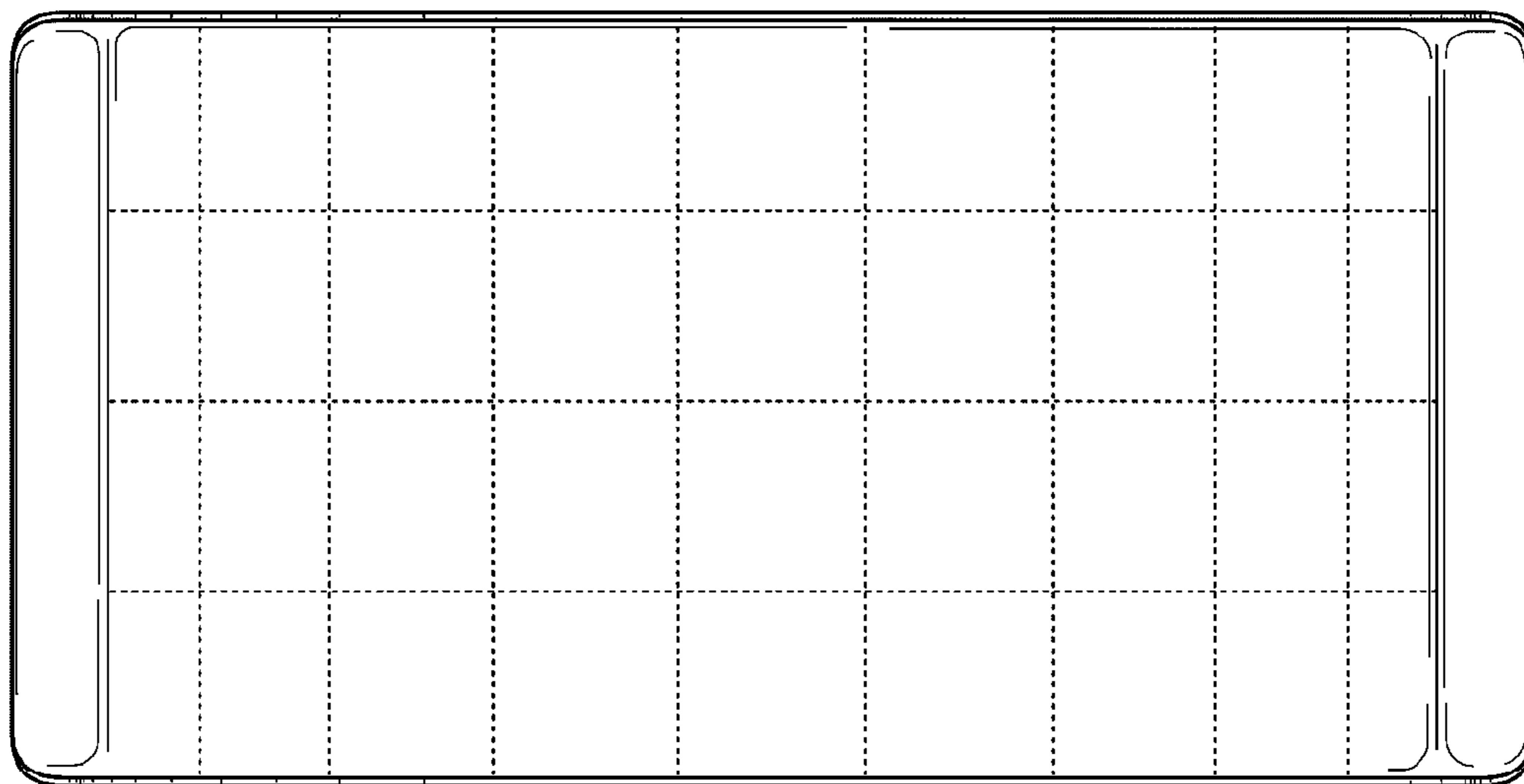
The ornamental design for a chaise lounge, as shown and described.

**DESCRIPTION**

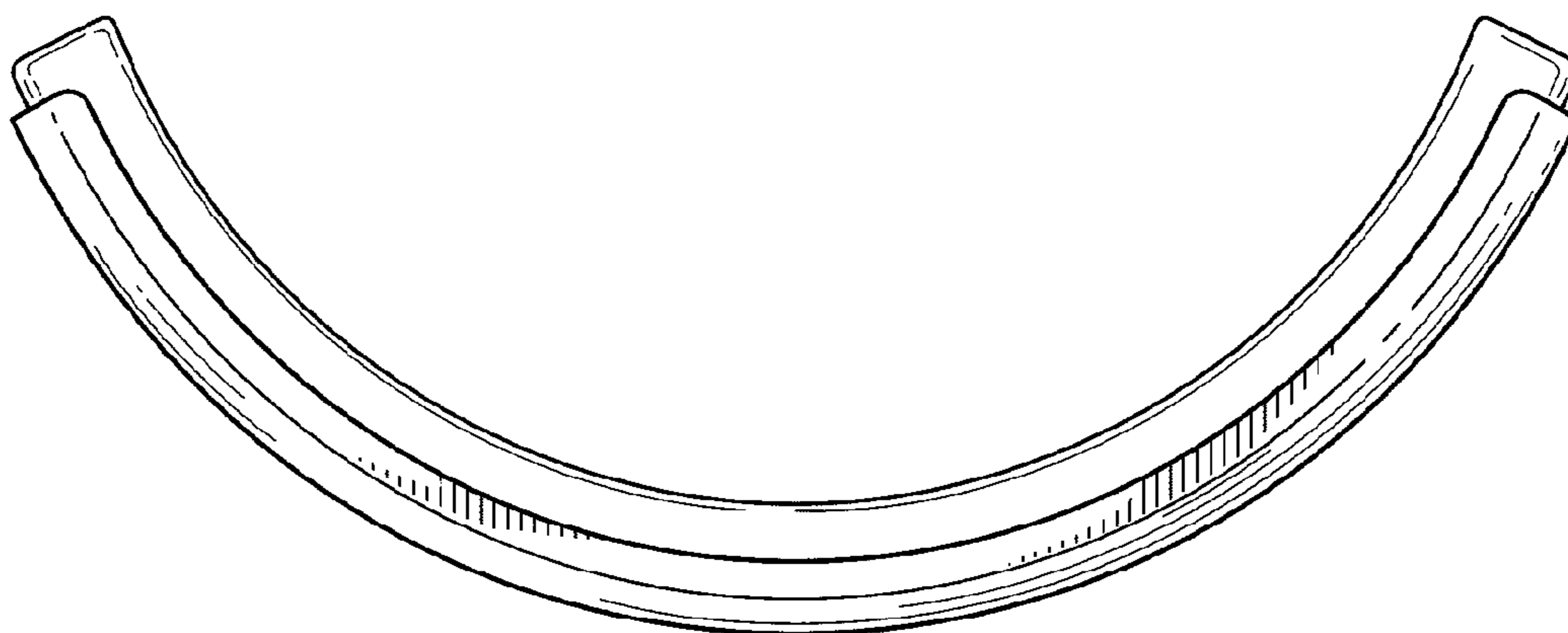
FIG. 1 is a top view of my chaise lounge design.  
FIG. 2 is a side view of my chaise lounge design.  
FIG. 3 is an end view of my chaise lounge design.  
FIG. 4 is a perspective view of my chaise lounge design; and,  
FIG. 5 is a bottom view of my chaise lounge design.  
Broken lines appearing in the figures represent unclaimed subject matter or unclaimed environmental aspects of my chaise lounge design.

**1 Claim, 3 Drawing Sheets**

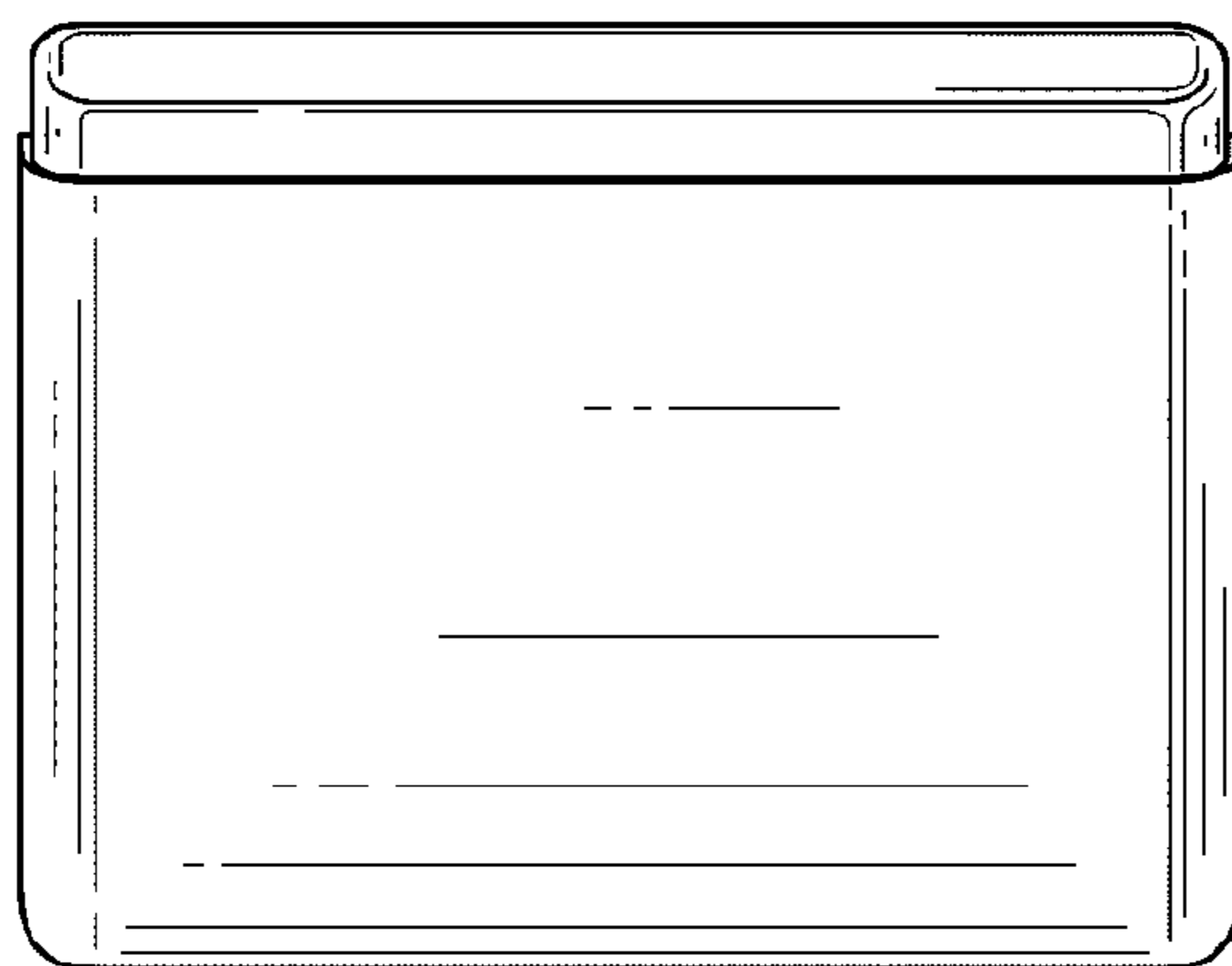




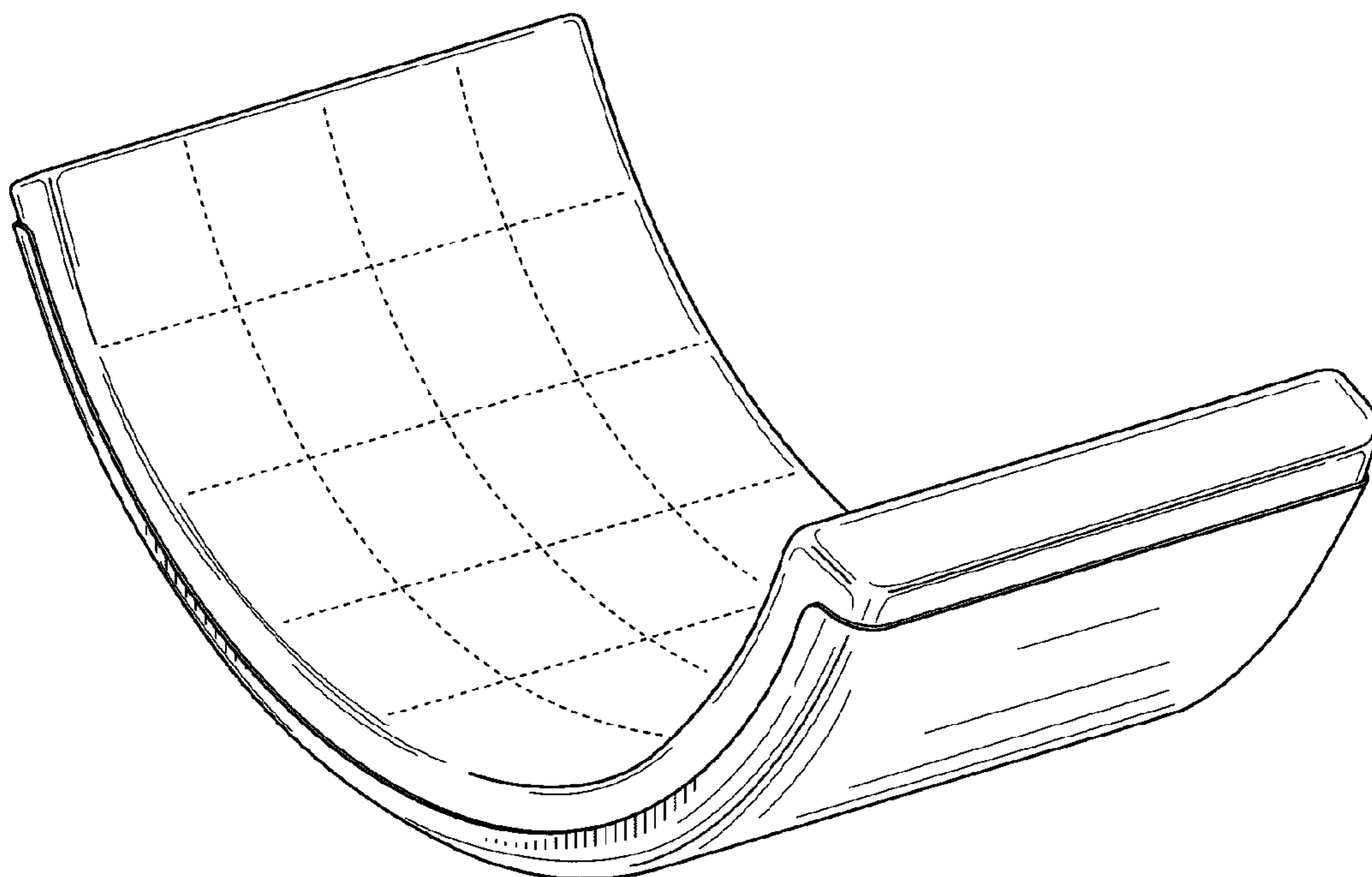
**FIG. 1**



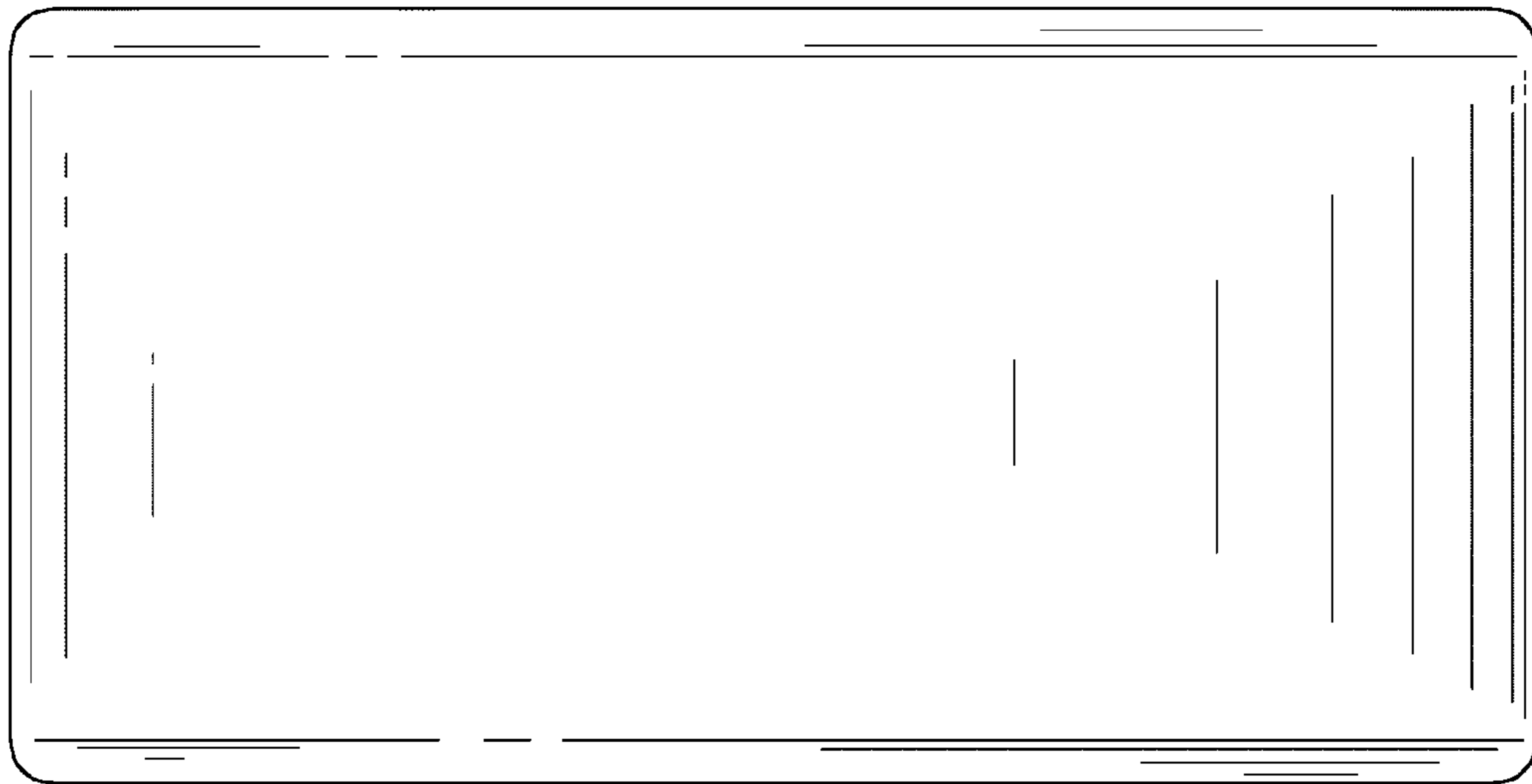
**FIG. 2**



**FIG. 3**



**FIG. 4**



**FIG. 5**