



US00D649369S

(12) **United States Design Patent**
Benden

(10) **Patent No.:** **US D649,369 S**

(45) **Date of Patent:** **** *Nov. 29, 2011**

(54) **STUDENT DESK WITH STOOL**

D501,741 S 2/2005 Risdall

(Continued)

(75) Inventor: **Mark E. Benden**, College Station, TX
(US)

(73) Assignee: **The Texas A&M University System**,
College Station, TX (US)

(**) Term: **14 Years**

(21) Appl. No.: **29/377,178**

(22) Filed: **Oct. 18, 2010**

(51) **LOC (9) Cl.** **06-01**

(52) **U.S. Cl.** **D6/338**

(58) **Field of Classification Search** D6/330,
D6/335-338, 340, 349-355, 358, 359, 364,
D6/366, 376, 491, 495, 500-502; 297/16.1,
297/39, 46, 135, 140, 156, 158.3, 158.4,
297/175, 177, 187, 195.1, 195.11, 211, 245,
297/423.1, 423.16, 445.1, 461, 462, 136,
297/170, 172, 174 F

See application file for complete search history.

(56) **References Cited**

U.S. PATENT DOCUMENTS

D144,591	S	*	4/1946	Schutes	D6/338
2,894,561	A	*	7/1959	MacKintosh	297/172
4,382,643	A		5/1983	Heinrich		
4,383,486	A		5/1983	Reineman		
D272,496	S		2/1984	Kemp		
D283,563	S	*	4/1986	Arroyo	D6/338
4,736,998	A	*	4/1988	Wilson et al.	312/235.3
5,299,861	A		4/1994	Foliot et al.		
D376,931	S	*	12/1996	Fewchuk	D6/425
D387,571	S	*	12/1997	Schweter	D6/336
D401,438	S		11/1998	Acinapura et al.		
D429,579	S		8/2000	Lechman		
D437,506	S		2/2001	Lechman		
D438,401	S		3/2001	Lechman		
D440,069	S		4/2001	Lechman		
D470,349	S		2/2003	Risdall		
6,516,731	B1		2/2003	Park		
D474,356	S		5/2003	Bosman		
D496,537	S		9/2004	Monsalve		
D501,336	S	*	2/2005	Lin	D6/429

OTHER PUBLICATIONS

Safco Products, "Safco Catalog Page," obtained from <http://www.safcoproducts.com/>, generated Jul. 1, 2011.

Safco Products, "Safco Catalog Page," obtained from <http://www.safcoproducts.com/>, generated Jul. 1, 2011.

(Continued)

Primary Examiner — Sandra Snapp

(74) *Attorney, Agent, or Firm* — Wong, Cabello, Lutsch,
Rutherford & Brucculeri, LLP

(57) **CLAIM**

The ornamental design for a student desk with a stool, as shown and described.

DESCRIPTION

This application is filed concurrently with U.S. Design Application entitled "Student Desk with Seat" by Mark E. Benden, which is incorporated herein by reference in its entirety.

FIG. 1 is a perspective view of one embodiment of a student desk with a stool showing my new design.

FIG. 2 is a front view thereof.

FIG. 3 is a back view thereof.

FIG. 4 is a right side view thereof.

FIG. 5 is a left side view thereof.

FIG. 6 is a top view thereof.

FIG. 7 is a bottom view thereof.

FIG. 8 is a perspective view of another embodiment of a student desk showing my new design.

FIG. 9 is a front view thereof.

FIG. 10 is a back view thereof.

FIG. 11 is a left side view thereof.

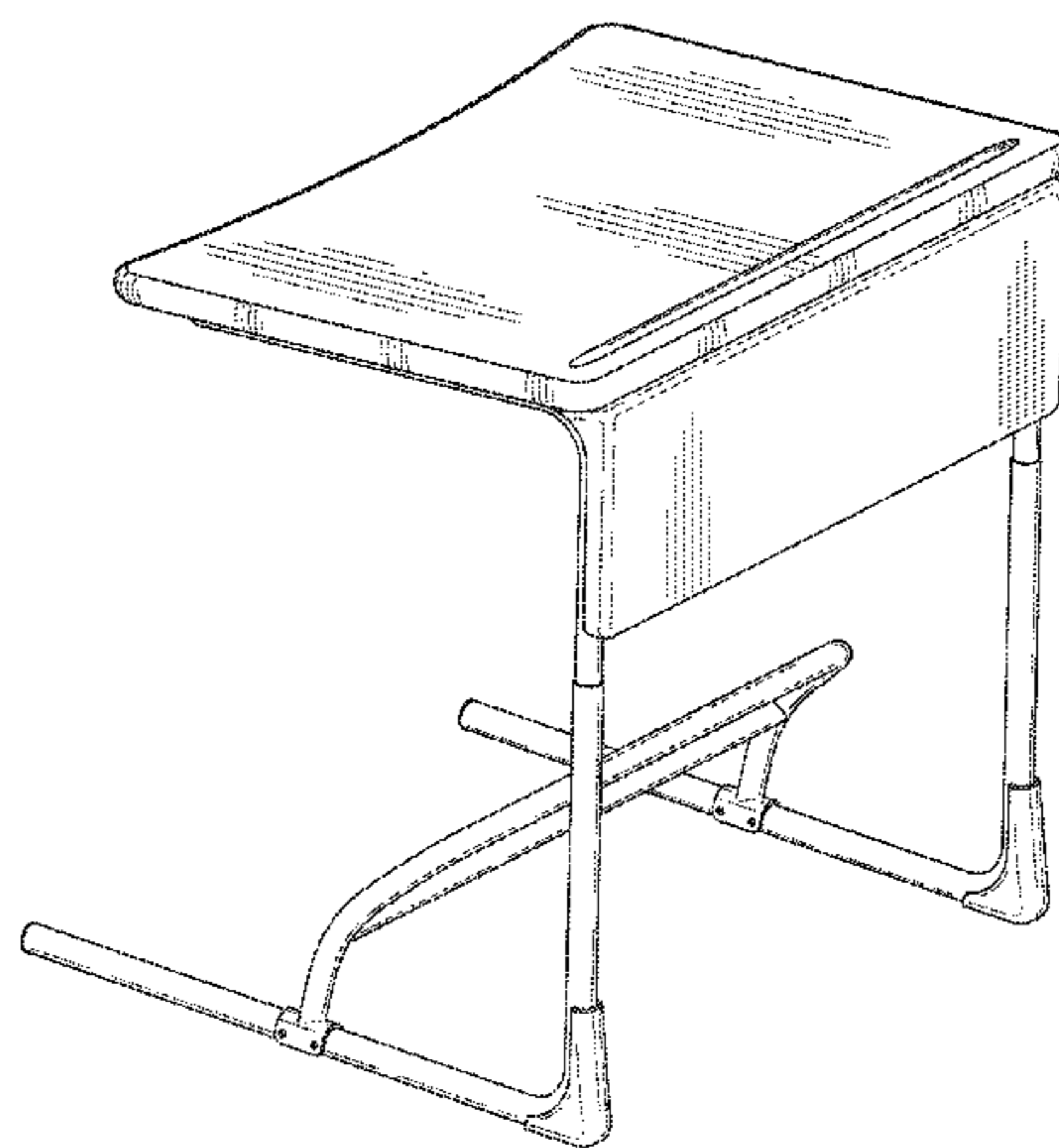
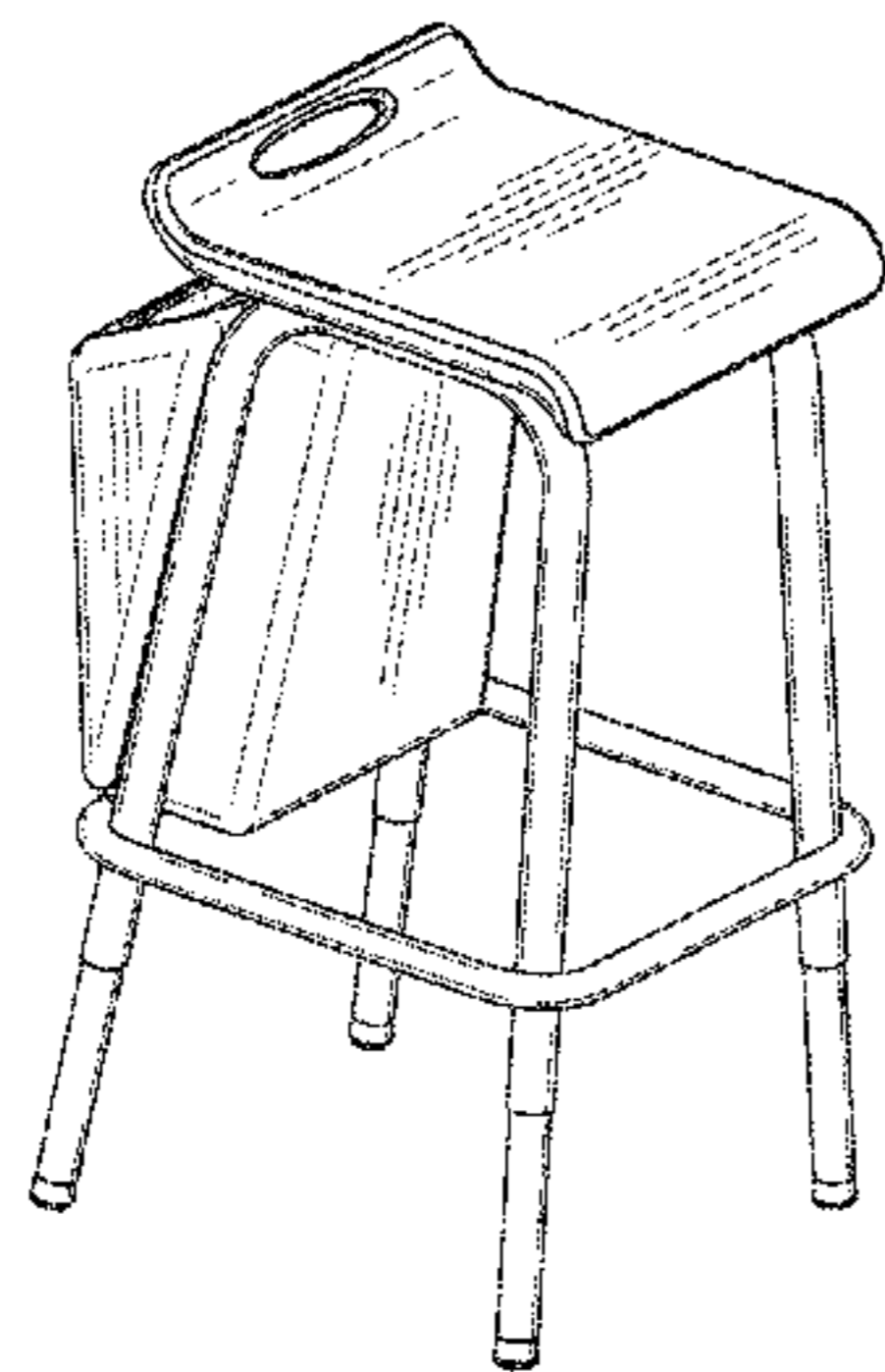
FIG. 12 is a right side view thereof.

FIG. 13 is a top view thereof; and,

FIG. 14 is a bottom view thereof.

The broken line showing in FIGS. 3 and 7 is for illustrative purposes only and forms no part of the claimed design.

1 Claim, 11 Drawing Sheets



US D649,369 S

Page 2

U.S. PATENT DOCUMENTS

D507,710 S * 7/2005 Fletcher et al. D6/487
D510,670 S * 10/2005 Glass et al. D6/487
D521,770 S * 5/2006 Madison D6/425
7,147,284 B2 12/2006 Mills et al.
D546,097 S * 7/2007 Glass et al. D6/487
D559,592 S * 1/2008 Glass et al. D6/499
D578,324 S * 10/2008 Glass et al. D6/495
D597,266 S * 7/2009 Simpson et al. D30/199
D627,178 S * 11/2010 Adams et al. D6/484
D630,030 S * 1/2011 Vu D6/338
2009/0178596 A1 7/2009 Skiba

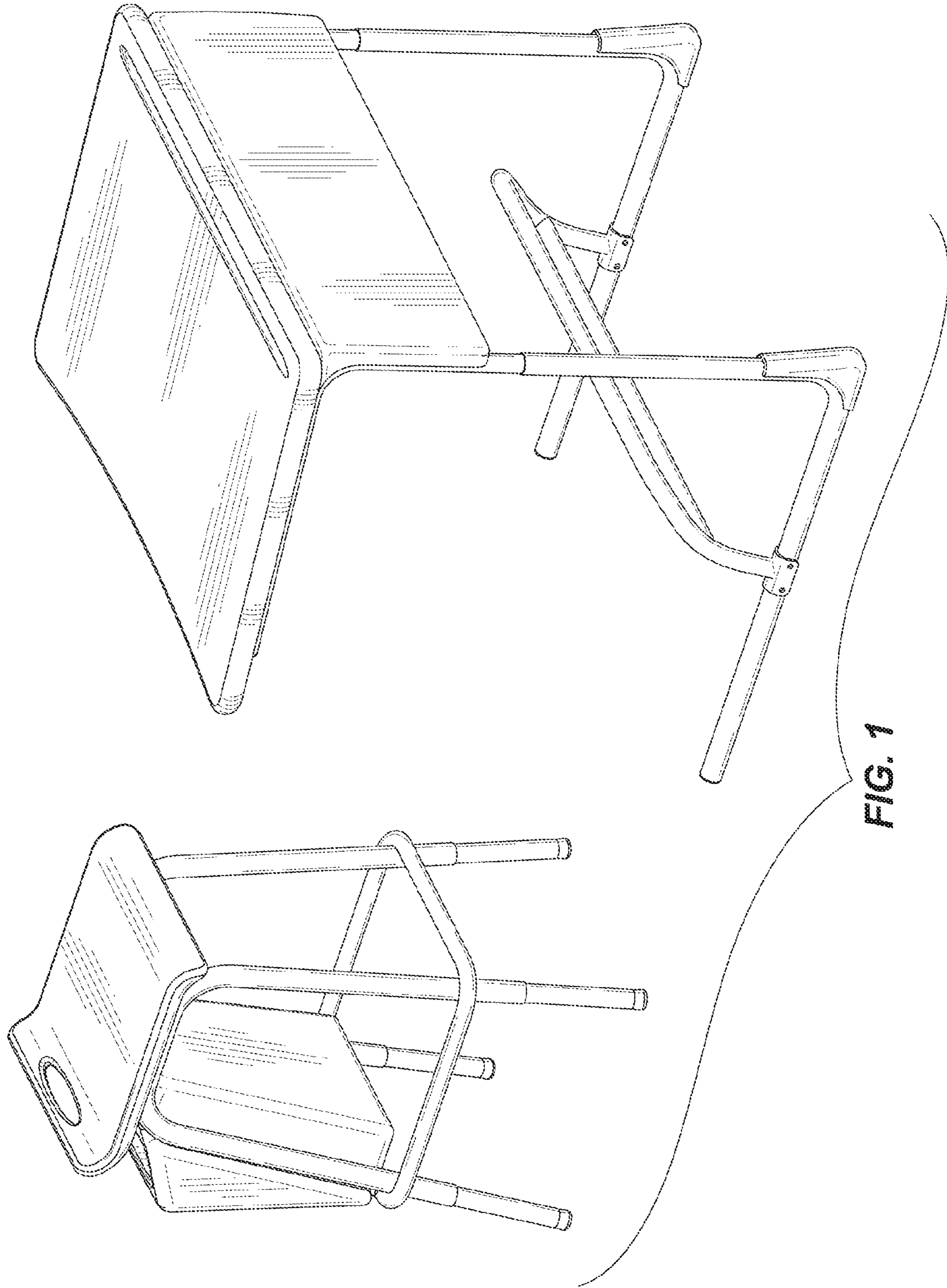
OTHER PUBLICATIONS

Ergoguys.Com, "AlphaBetter(TM) Standing Desk," obtained from
<http://store.ergoguys.com/>, generated Jul. 1, 2011.

Ergoguys.Com, "AlphaBetter(TM) Standing Desk—with bookbox,"
obtained from <http://store.ergoguys.com/>, generated Jul. 1, 2011.

Ergoguys.Com, "AlphaBetter(TM) Adjustable Stool," obtained from
<http://store.ergoguys.com/>, generated Jul. 1, 2011.

* cited by examiner



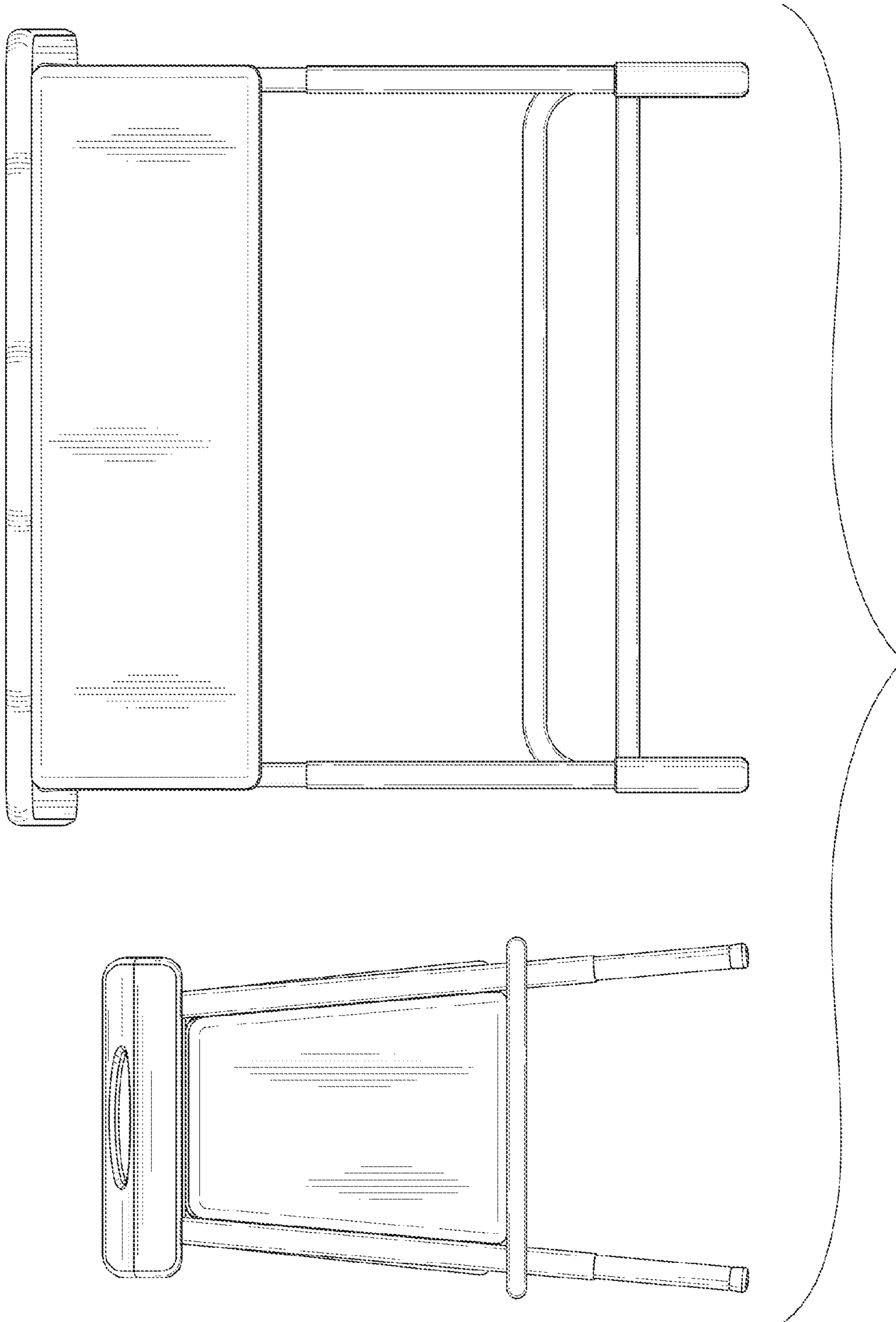


FIG. 2

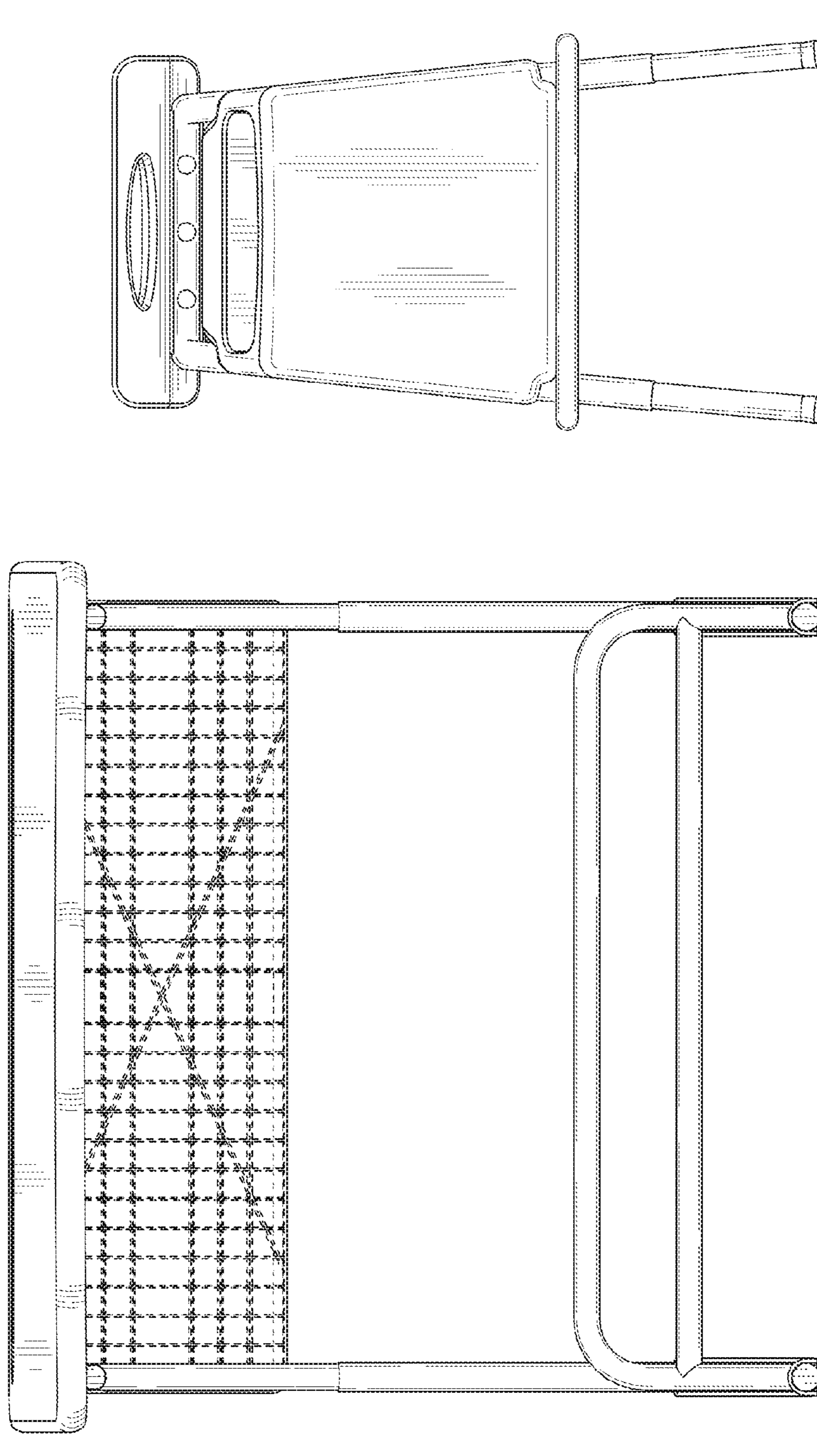


FIG. 3

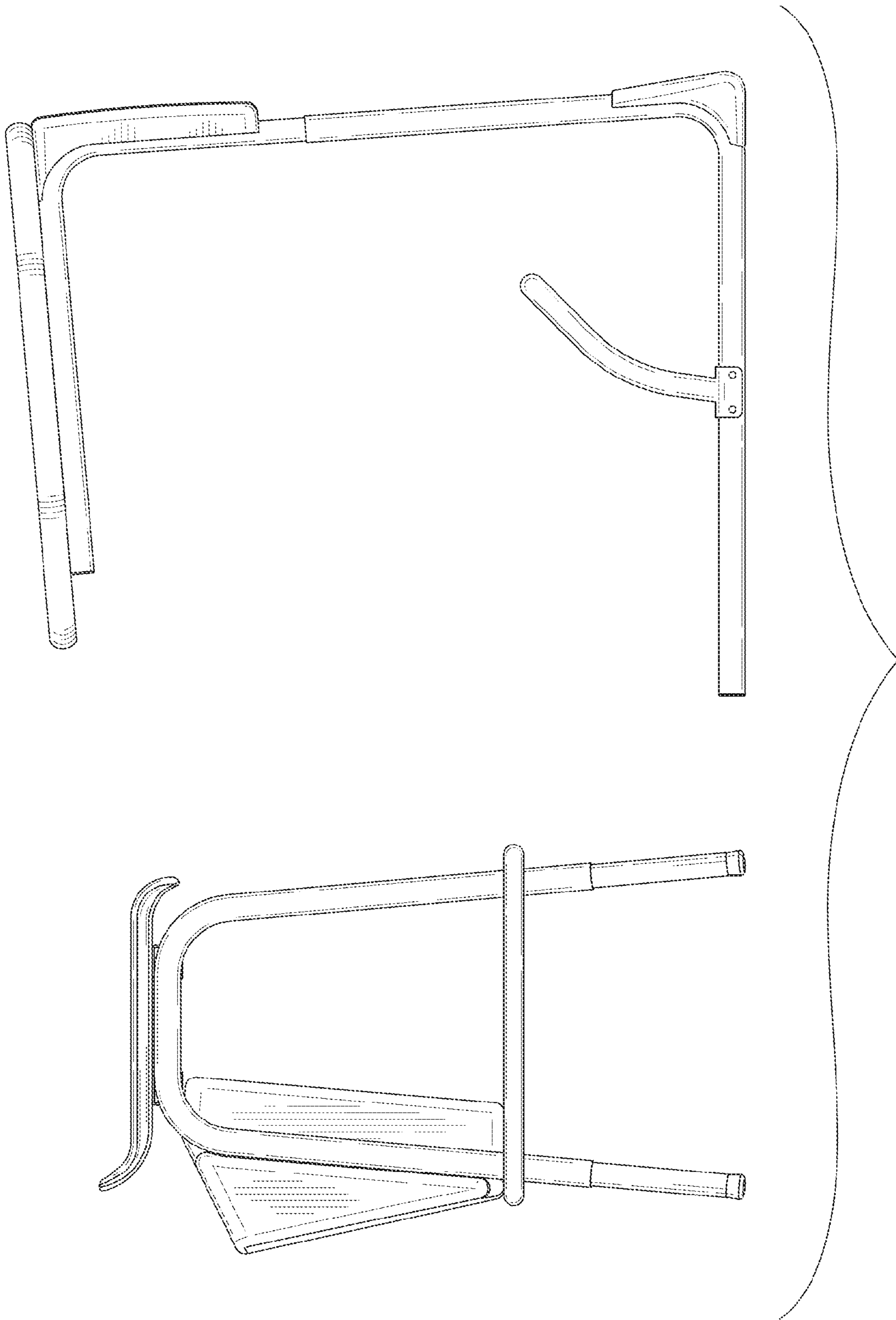


FIG. 4

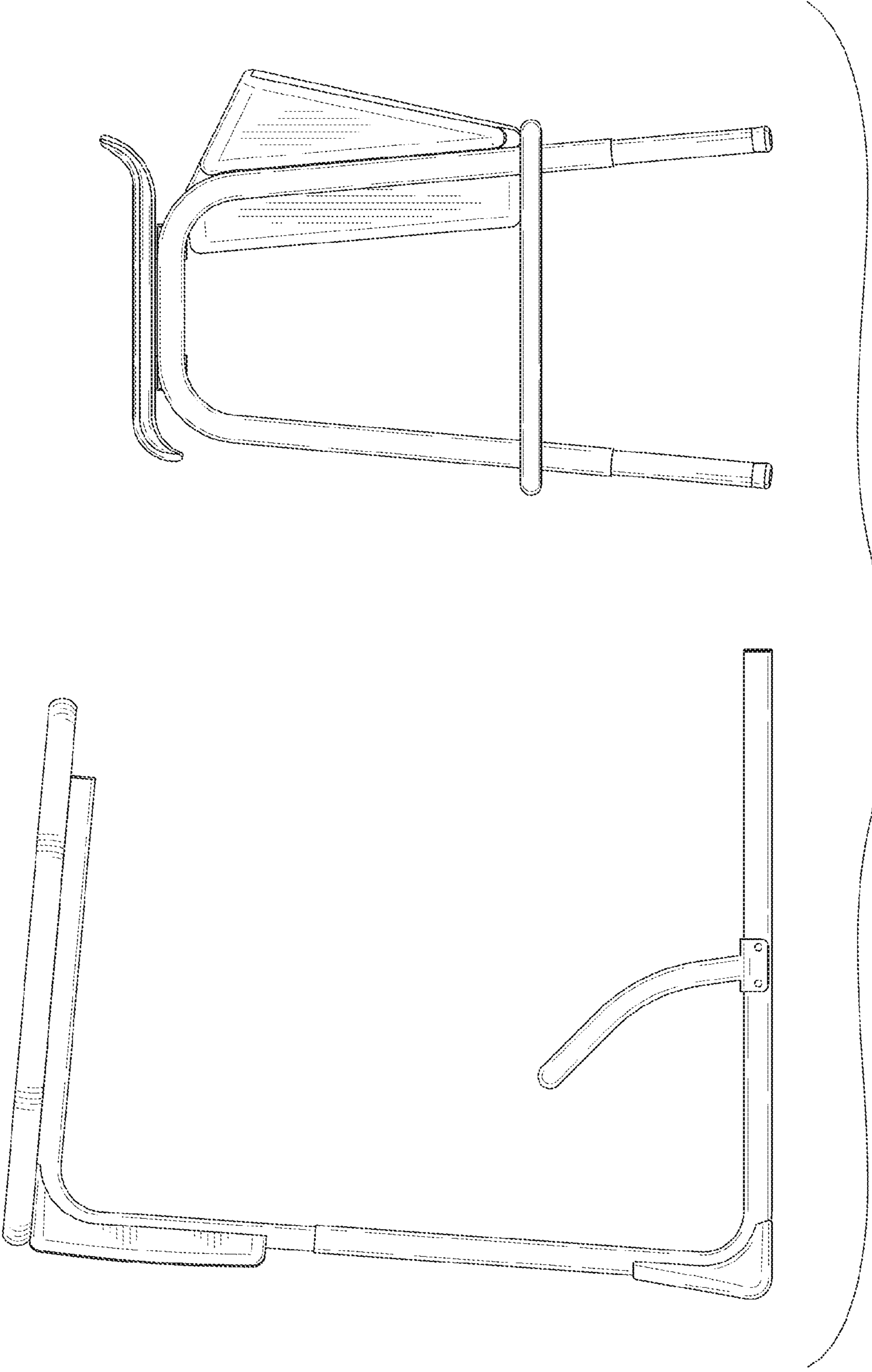


FIG. 5

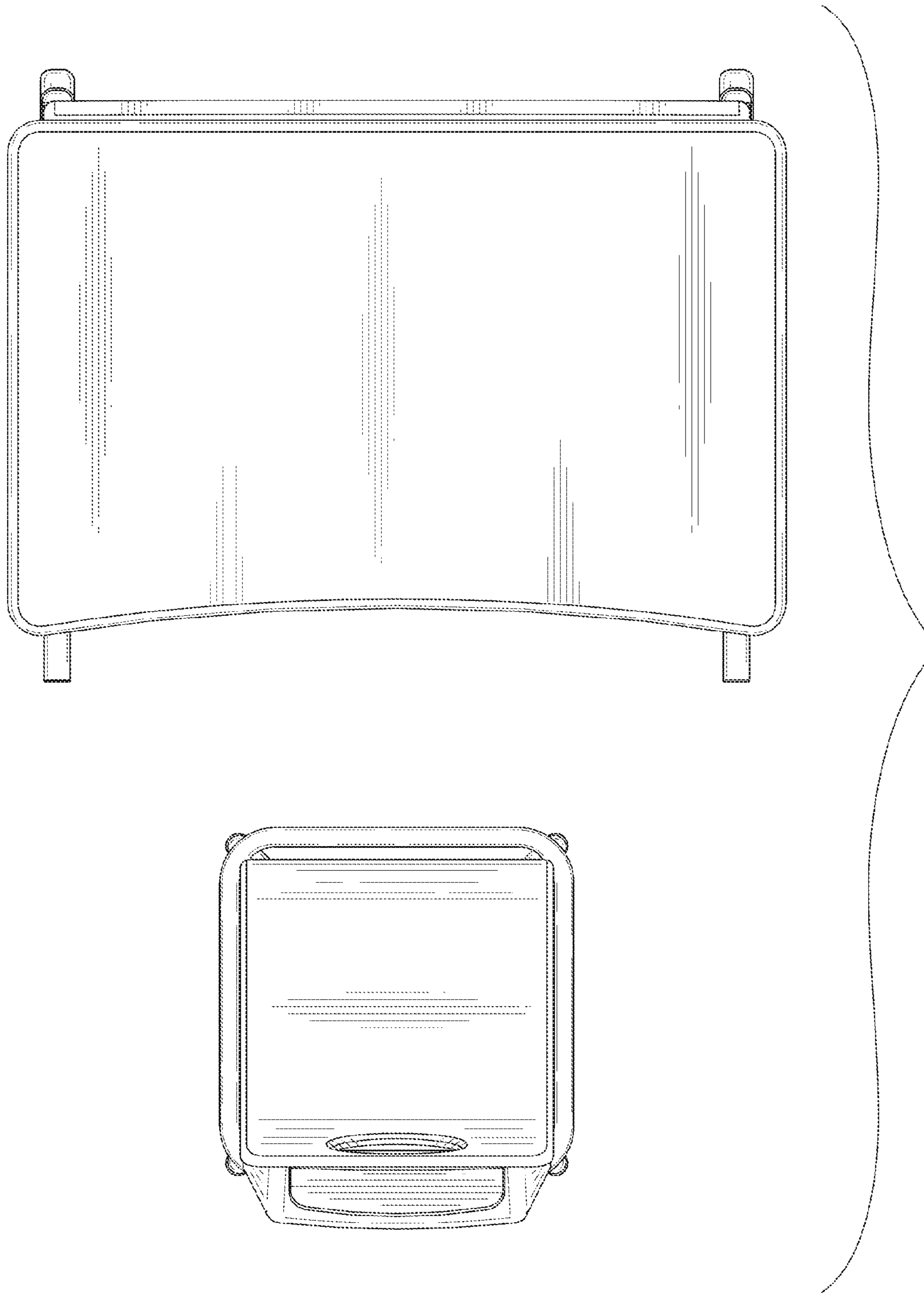


FIG. 6

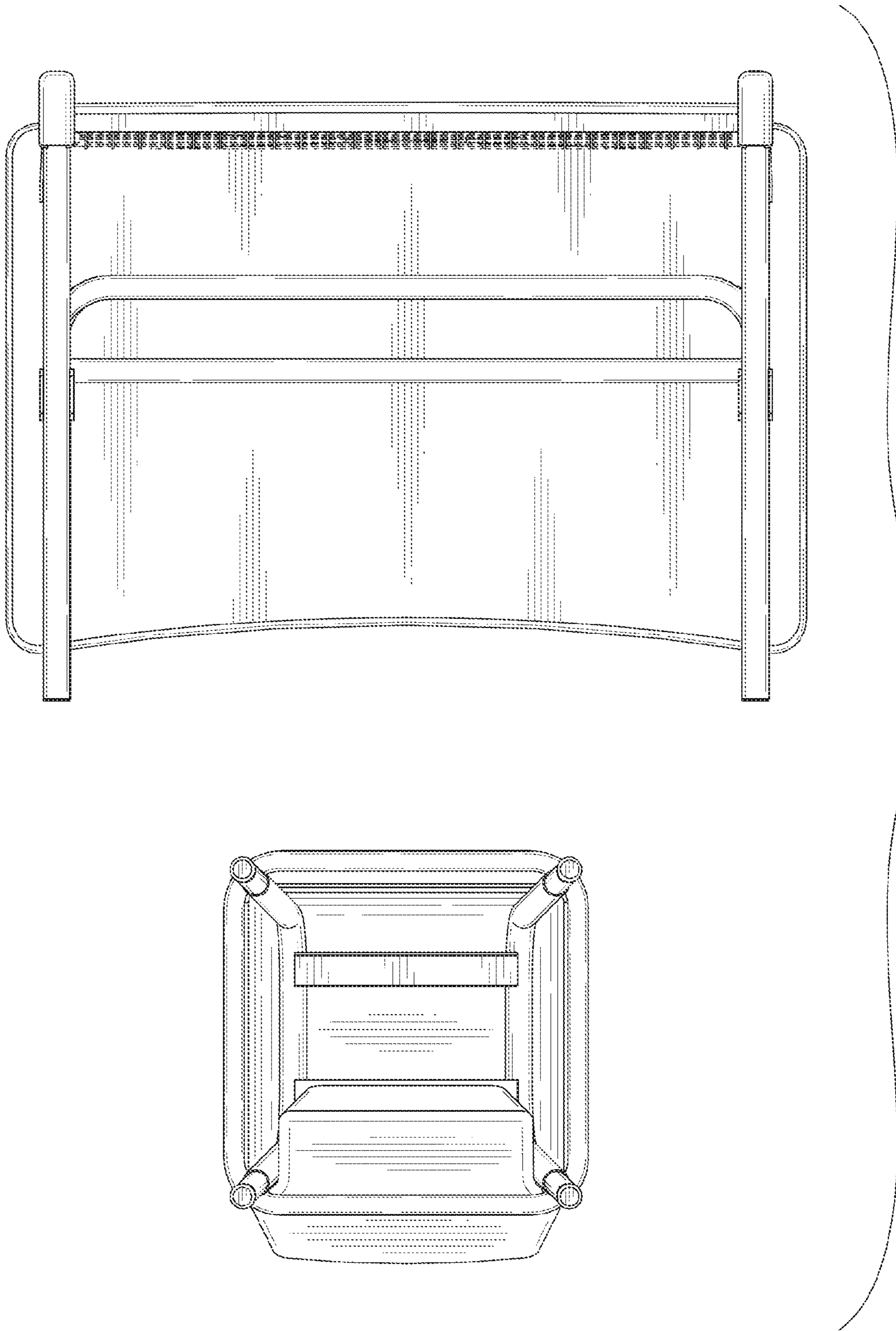


FIG. 7

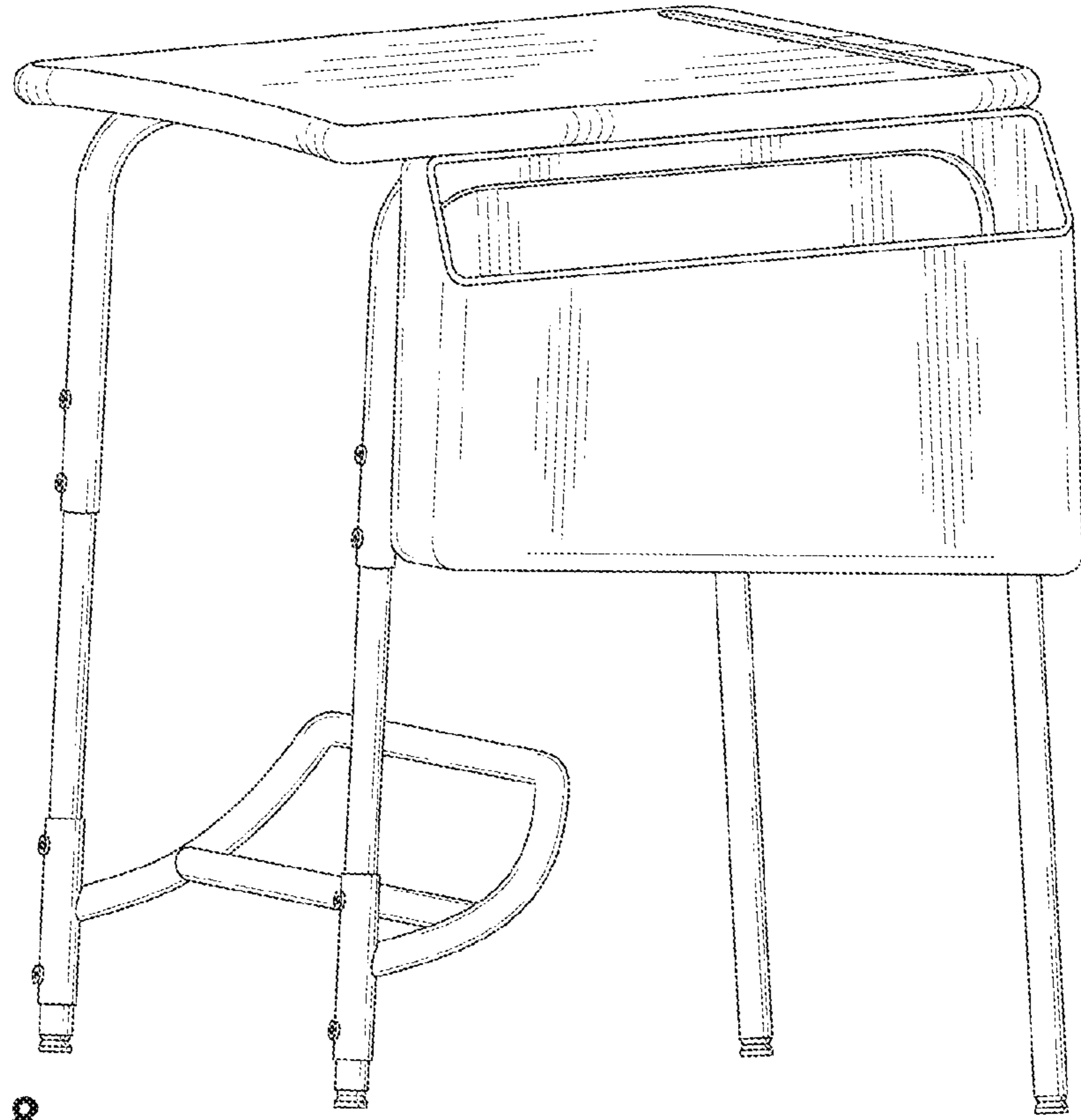


FIG. 8

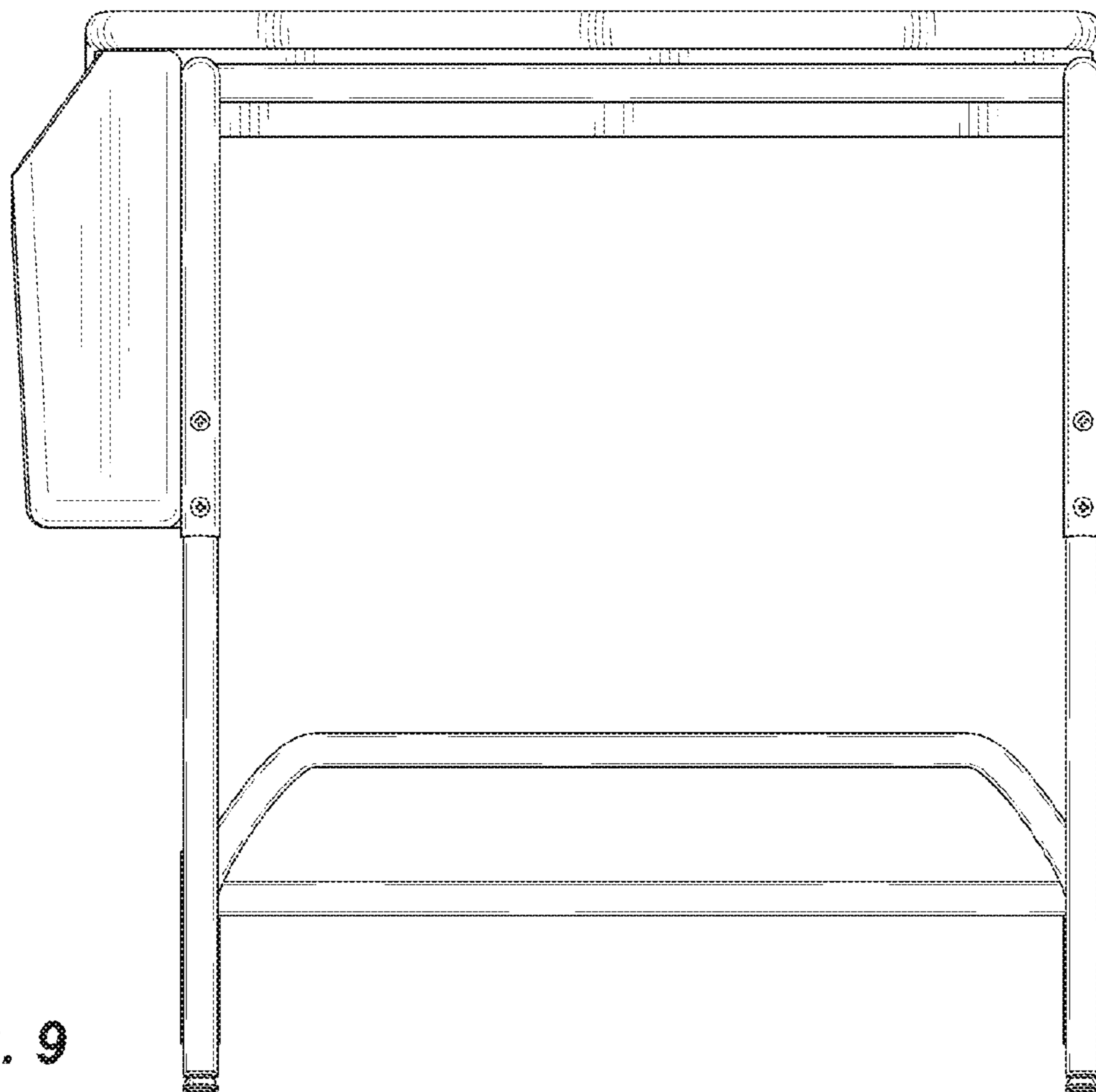


FIG. 9

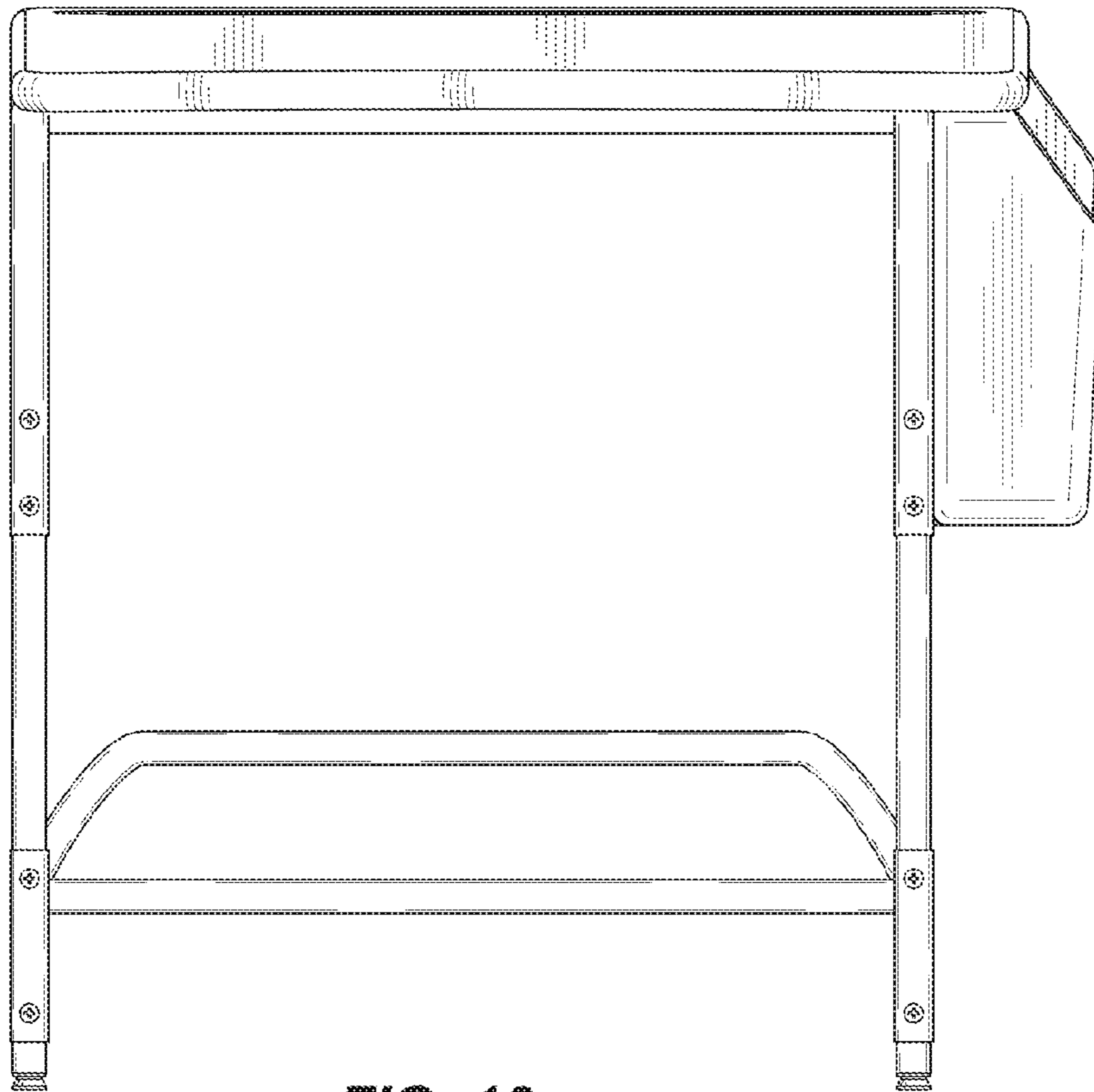


FIG. 10

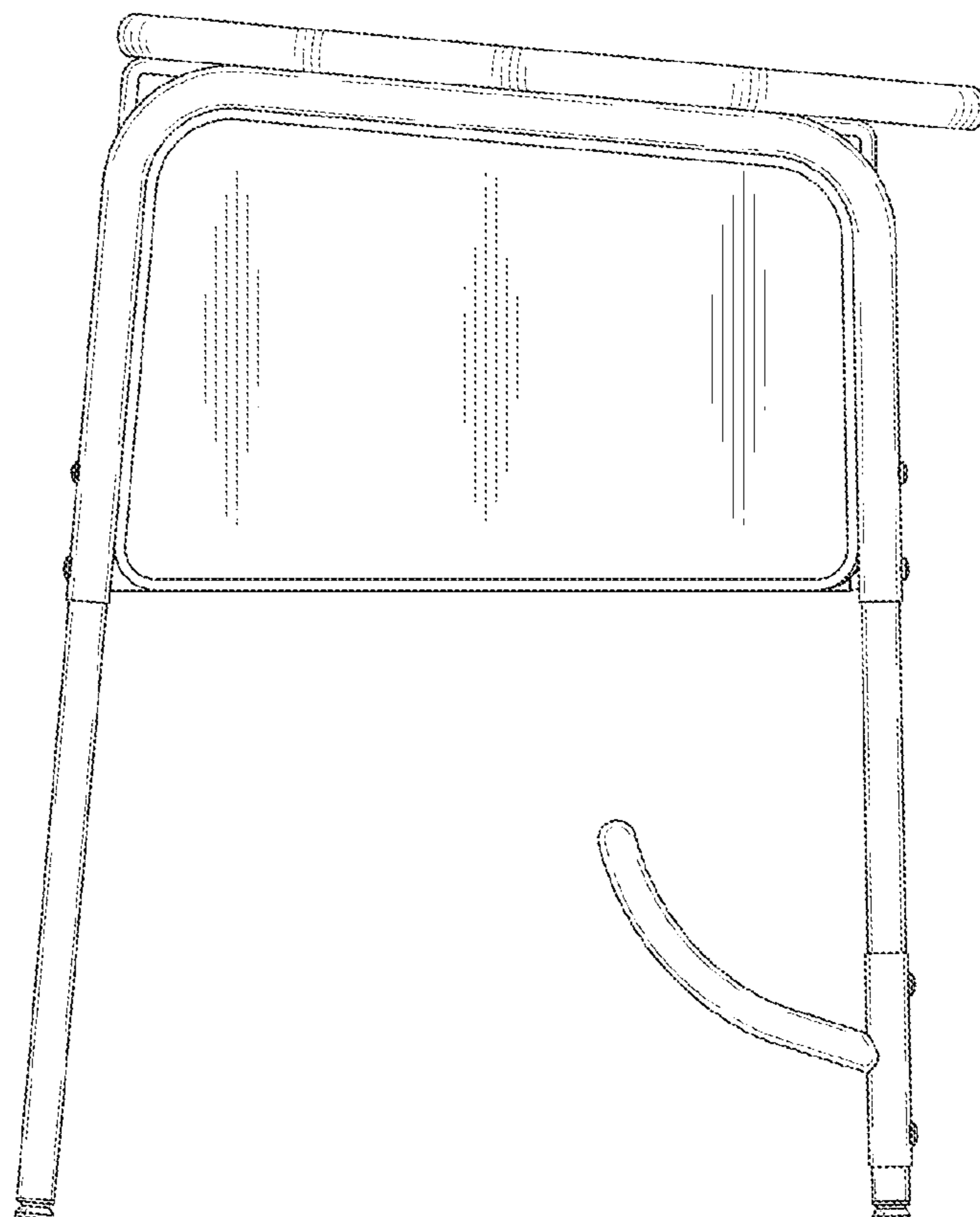


FIG. 11

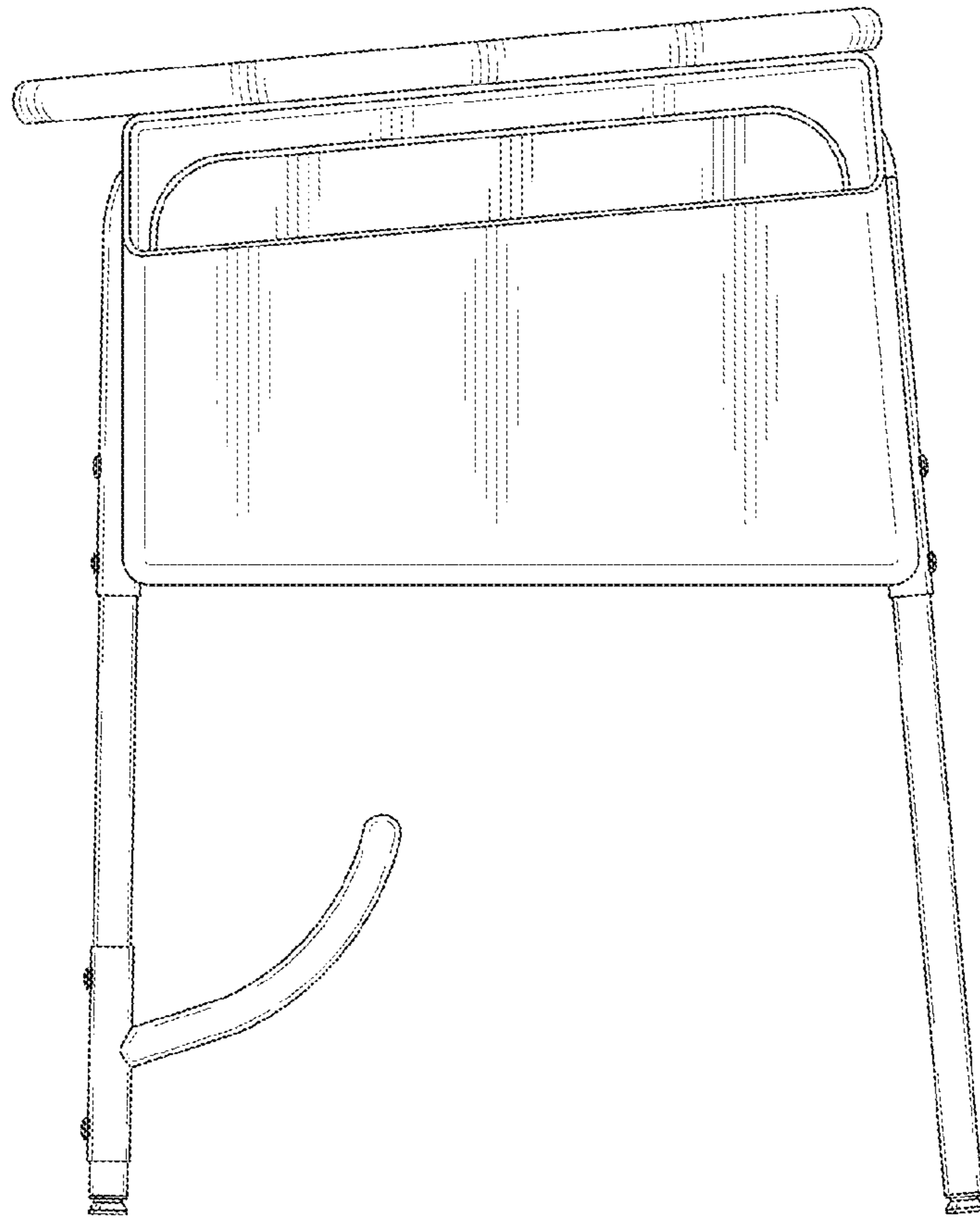


FIG. 12

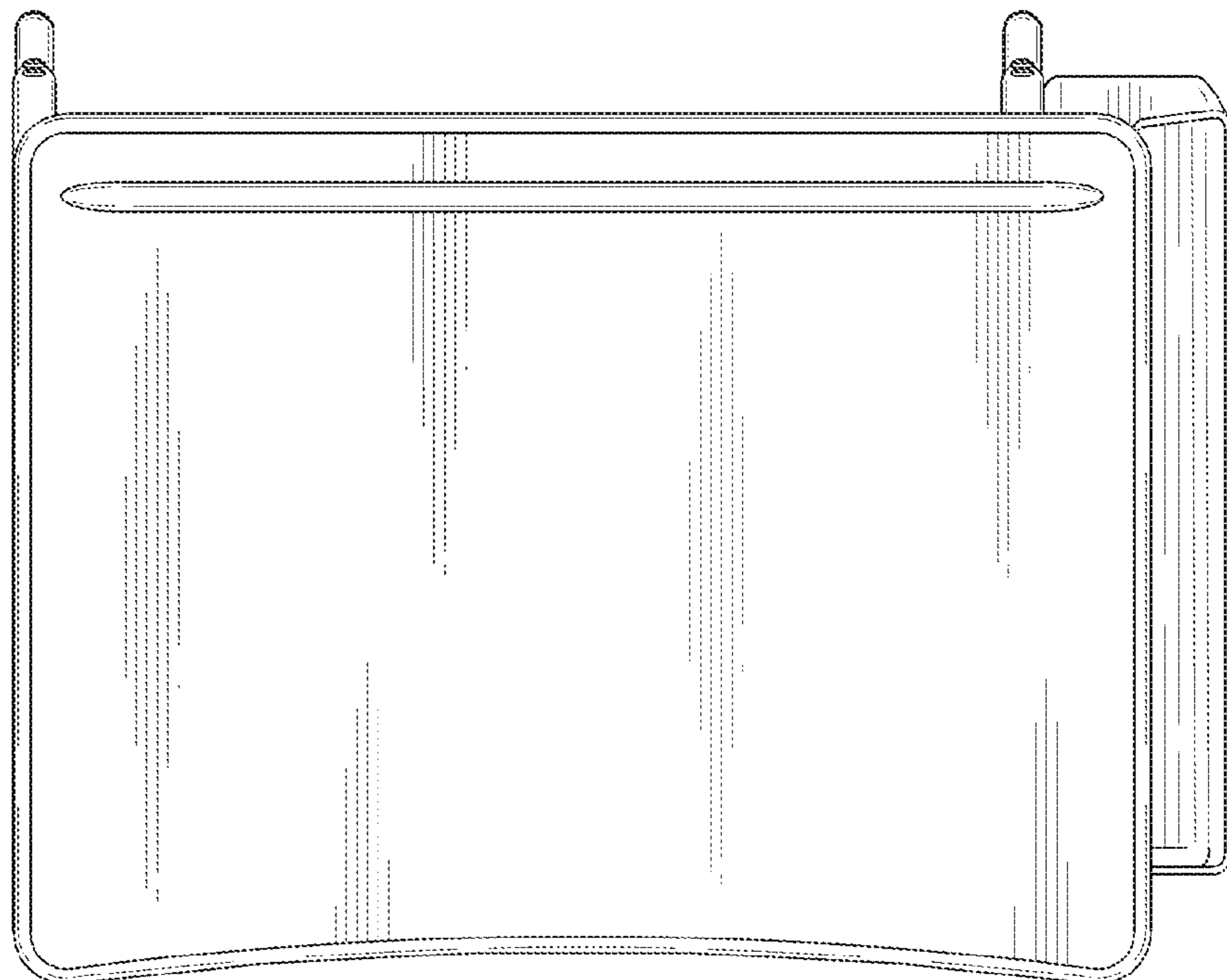


FIG. 13

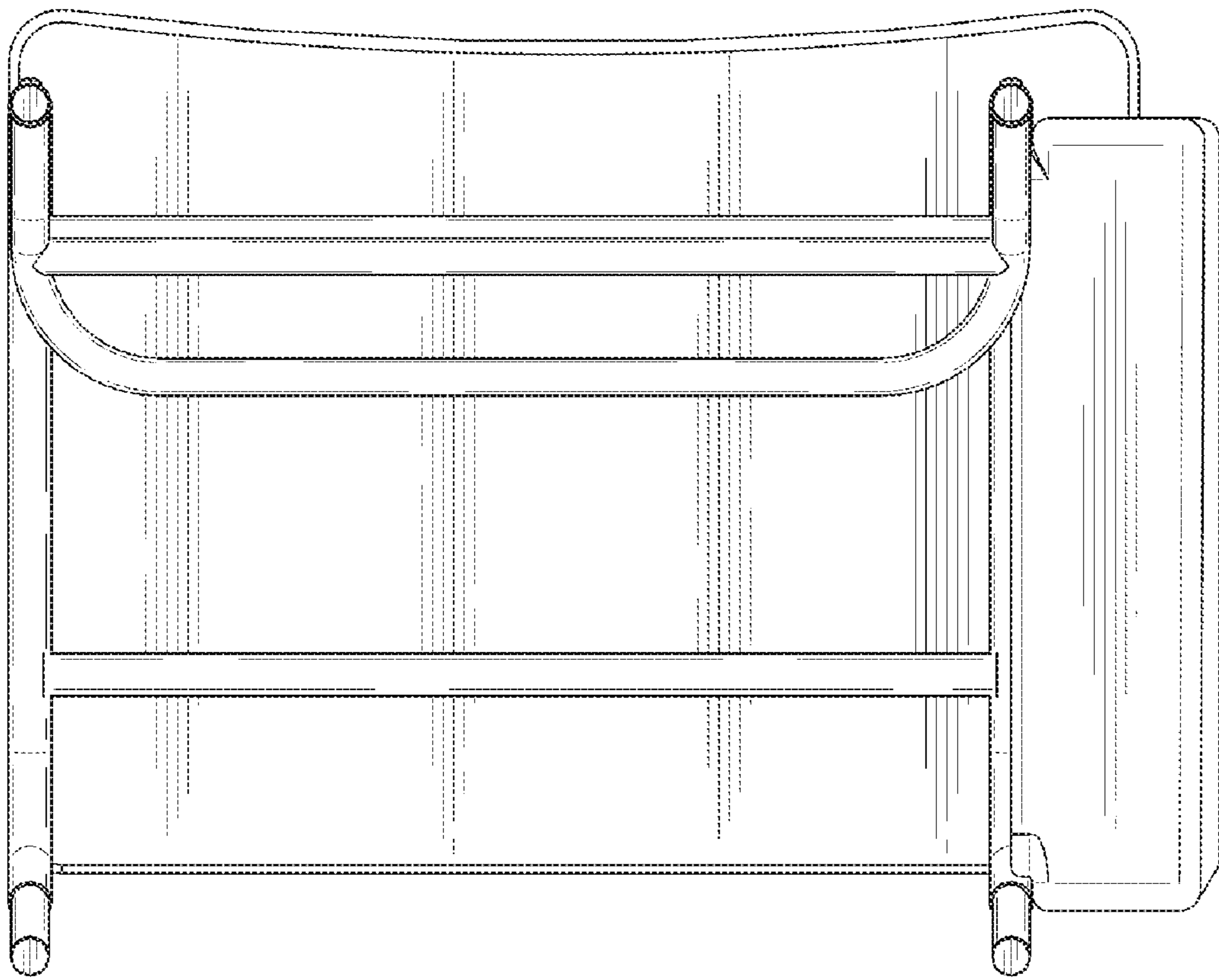


FIG. 14