



US00D649368S

(12) **United States Design Patent**  
**Benden**

(10) **Patent No.:** **US D649,368 S**

(45) **Date of Patent:** **\*\* \*Nov. 29, 2011**

- (54) **STUDENT DESK WITH SEAT**
- (75) **Inventor:** **Mark E. Benden**, College Station, TX (US)
- (73) **Assignee:** **The Texas A&M University System**, College Station, TX (US)

6,039,392	A	3/2000	Dencker	
6,186,589	B1	2/2001	Burkamp	
6,439,657	B1 *	8/2002	Tholkes	297/172
D477,921	S *	8/2003	Bosman et al.	D6/338
6,604,784	B1	8/2003	Bosman et al.	
6,776,452	B2	8/2004	Onishi	
D507,890	S *	8/2005	Mills et al.	D6/336
D514,829	S *	2/2006	Glass et al.	D6/336
D521,750	S *	5/2006	Glass et al.	D6/336

(\*\*) **Term:** **14 Years**

(Continued)

(21) **Appl. No.:** **29/377,177**

(22) **Filed:** **Oct. 18, 2010**

(51) **LOC (9) Cl.** ..... **06-01**

(52) **U.S. Cl.** ..... **D6/338**

(58) **Field of Classification Search** ..... D6/330,  
D6/335-338, 340, 349-355, 358, 359, 364,  
D6/366, 376, 491, 495, 500-502; 297/16.1,  
297/39, 46, 135, 140, 156, 158.3, 158.4,  
297/175, 177, 195.1, 187, 195.11, 211, 245,  
297/423.1, 423.16, 445.1, 461, 462, 136,  
297/170, 172, 174 F

See application file for complete search history.

(56) **References Cited**

**U.S. PATENT DOCUMENTS**

D157,959	S *	4/1950	Kahan	D6/338
D159,992	S *	9/1950	Kump, Jr.	D6/338
D169,012	S *	3/1953	Musacco	D6/338
2,673,595	A *	3/1954	Kump, Jr.	297/172
2,732,007	A *	1/1956	MacWhirter	297/172
D178,989	S *	10/1956	Ellert	D6/338
2,894,561	A *	7/1959	Mackintosh	297/172
4,050,491	A	9/1977	Hargrove	
4,925,240	A	5/1990	Peters	
D322,178	S	12/1991	Pons	
D327,780	S *	7/1992	Peters	D6/338
5,150,873	A	9/1992	Donovan	
5,330,248	A	7/1994	Smyly et al.	
5,452,950	A	9/1995	Crenshaw et al.	
D379,874	S *	6/1997	Stirling et al.	D6/338
5,685,602	A	11/1997	Williams	
5,697,668	A *	12/1997	Chao	297/172
D406,195	S *	3/1999	Gamberini	D6/341
5,876,093	A	3/1999	Williams	
6,010,186	A	1/2000	Tsay	

**OTHER PUBLICATIONS**

Safco Products, "Safco Catalog Page," obtained from <http://www.safcoproducts.com/>, generated Jul. 1, 2011.

Safco Products, "Safco Catalog Page," obtained from <http://www.safcoproducts.com/>, generated Jul. 1, 2011.

(Continued)

*Primary Examiner* — Sandra Snapp

(74) *Attorney, Agent, or Firm* — Wong, Cabello, Lutsch, Rutherford & Bruculeri, LLP

(57) **CLAIM**

The ornamental design for a student desk with a seat, as shown and described.

**DESCRIPTION**

This application is filed concurrently with U.S. Design Application entitled "Student Desk with Stool" by Mark E. Benden, which is incorporated herein by reference in its entirety.

FIG. 1 is a perspective view of a student desk with a seat showing my new design.

FIG. 2 is a front view thereof.

FIG. 3 is a back view thereof.

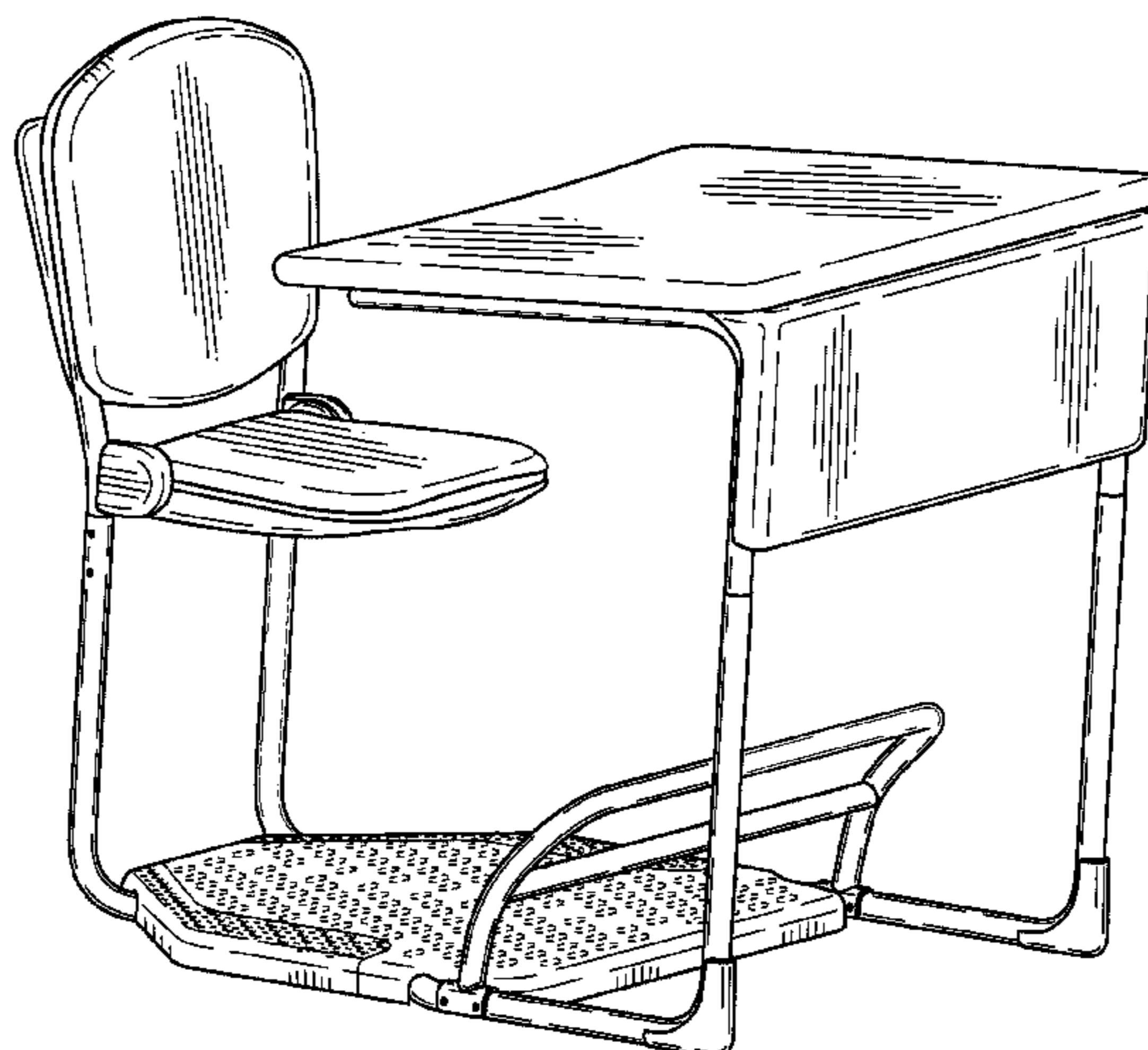
FIG. 4 is a right side view thereof, the left side view being a mirror image thereof.

FIG. 5 is a top view thereof; and,

FIG. 6 is a bottom view thereof.

The broken line showing in FIGS. 1-6 is for illustrative purposes only and forms no part of the claimed design.

**1 Claim, 4 Drawing Sheets**



# US D649,368 S

Page 2

---

## U.S. PATENT DOCUMENTS

7,048,332	B1	5/2006	Dilling	
7,059,670	B2	6/2006	Mills et al.	
7,073,853	B2	7/2006	Onishi	
D530,528	S *	10/2006	Van Erum et al.	D6/336
D555,372	S *	11/2007	Lin	D6/336
7,571,959	B2	8/2009	Griepentrog	
7,954,892	B2 *	6/2011	Knighton	297/142
2009/0178596	A1	7/2009	Skiba	

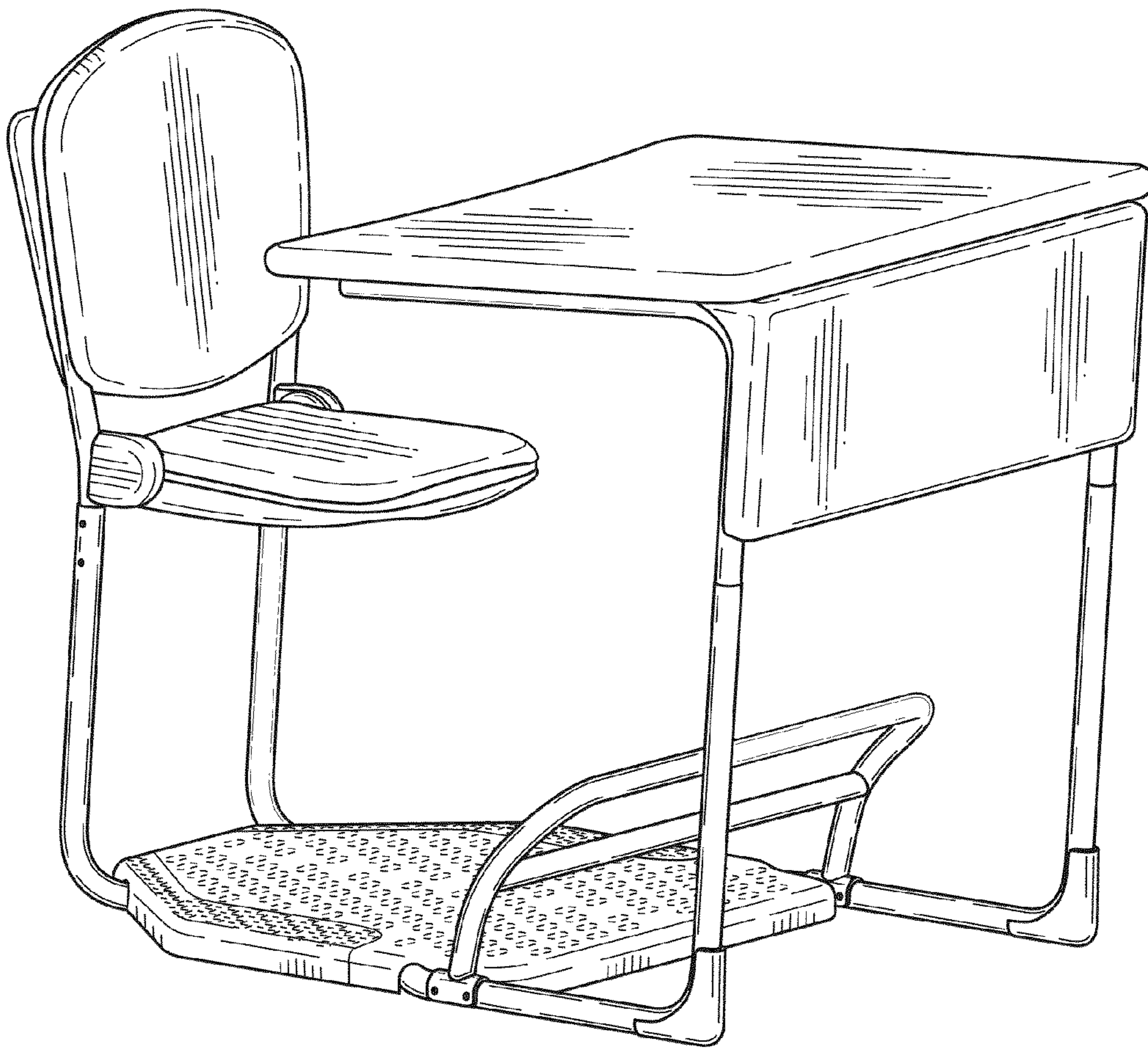
## OTHER PUBLICATIONS

Ergoguys.com, "AlphaBetter(TM) Standing Desk," obtained from <http://store.ergoguys.com/>, generated Jul. 1, 2011.

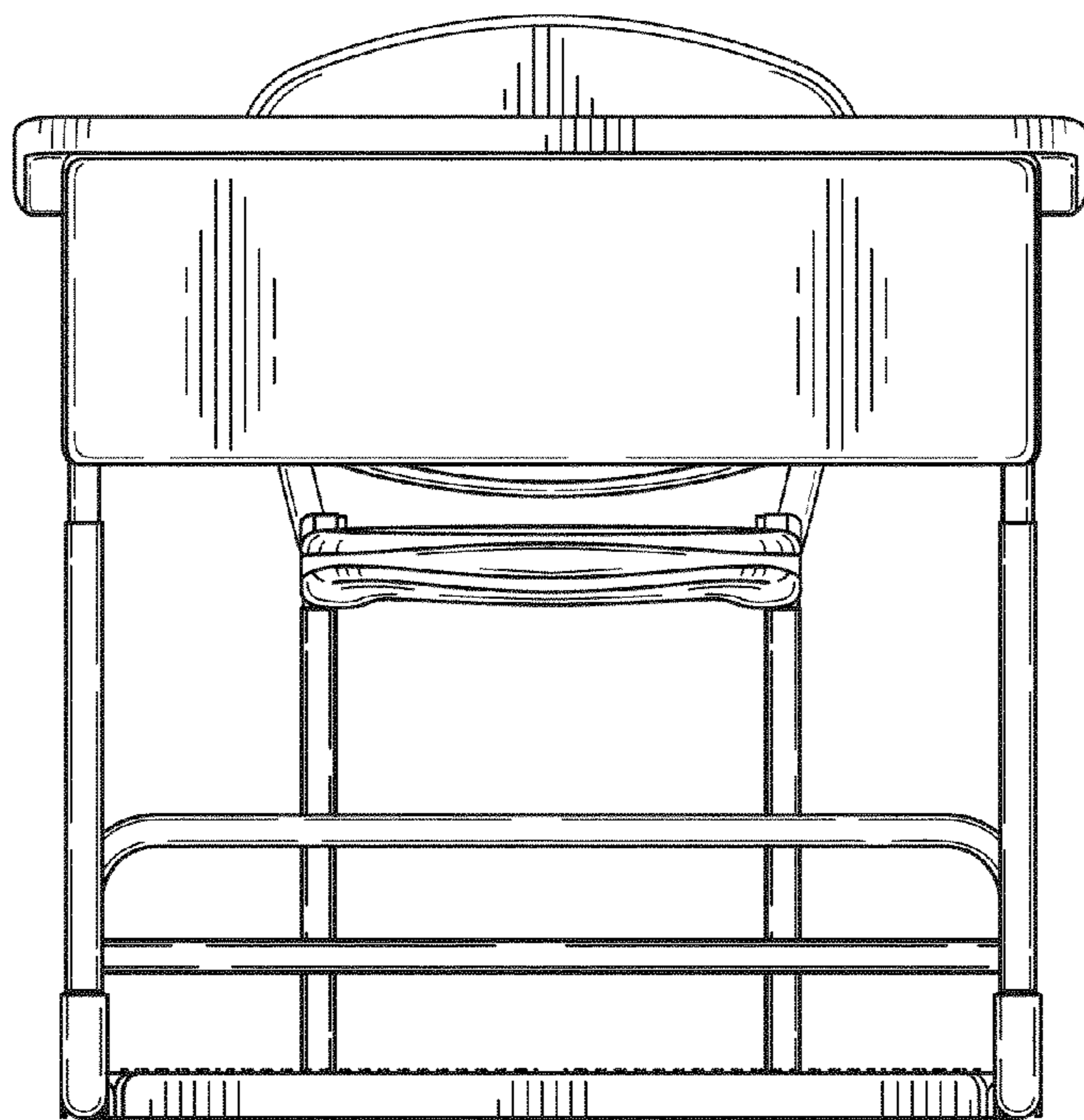
Ergoguys.com, "AlphaBetter(TM) Standing Desk—with bookbox," obtained from <http://store.ergoguys.com/>, generated Jul. 1, 2011.

Ergoguys.com, "AlphaBetter(TM) Adjustable Stool," obtained from <http://store.ergoguys.com/>, generated Jul. 1, 2011.

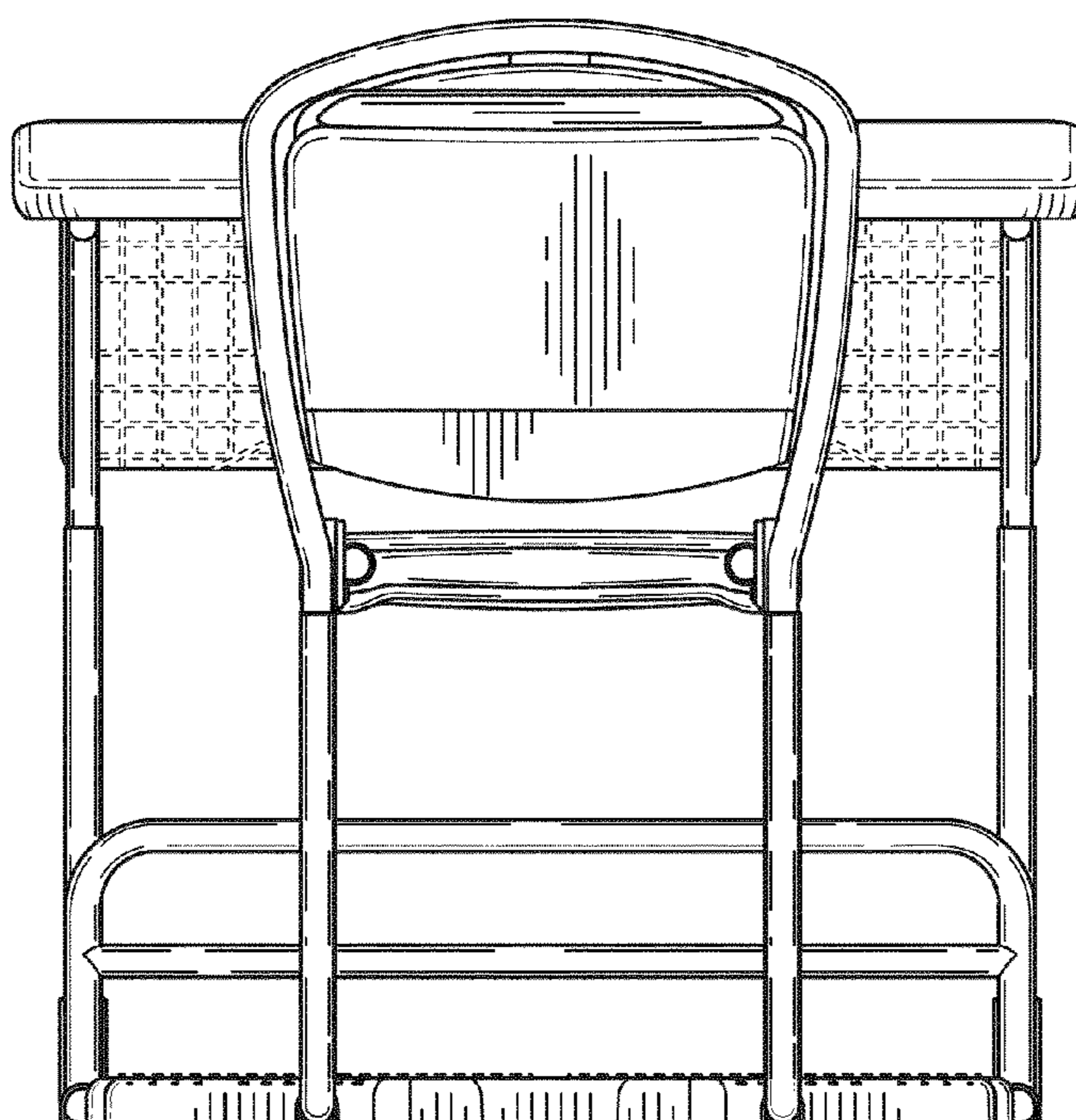
\* cited by examiner



**FIG. 1**



**FIG. 2**



**FIG. 3**

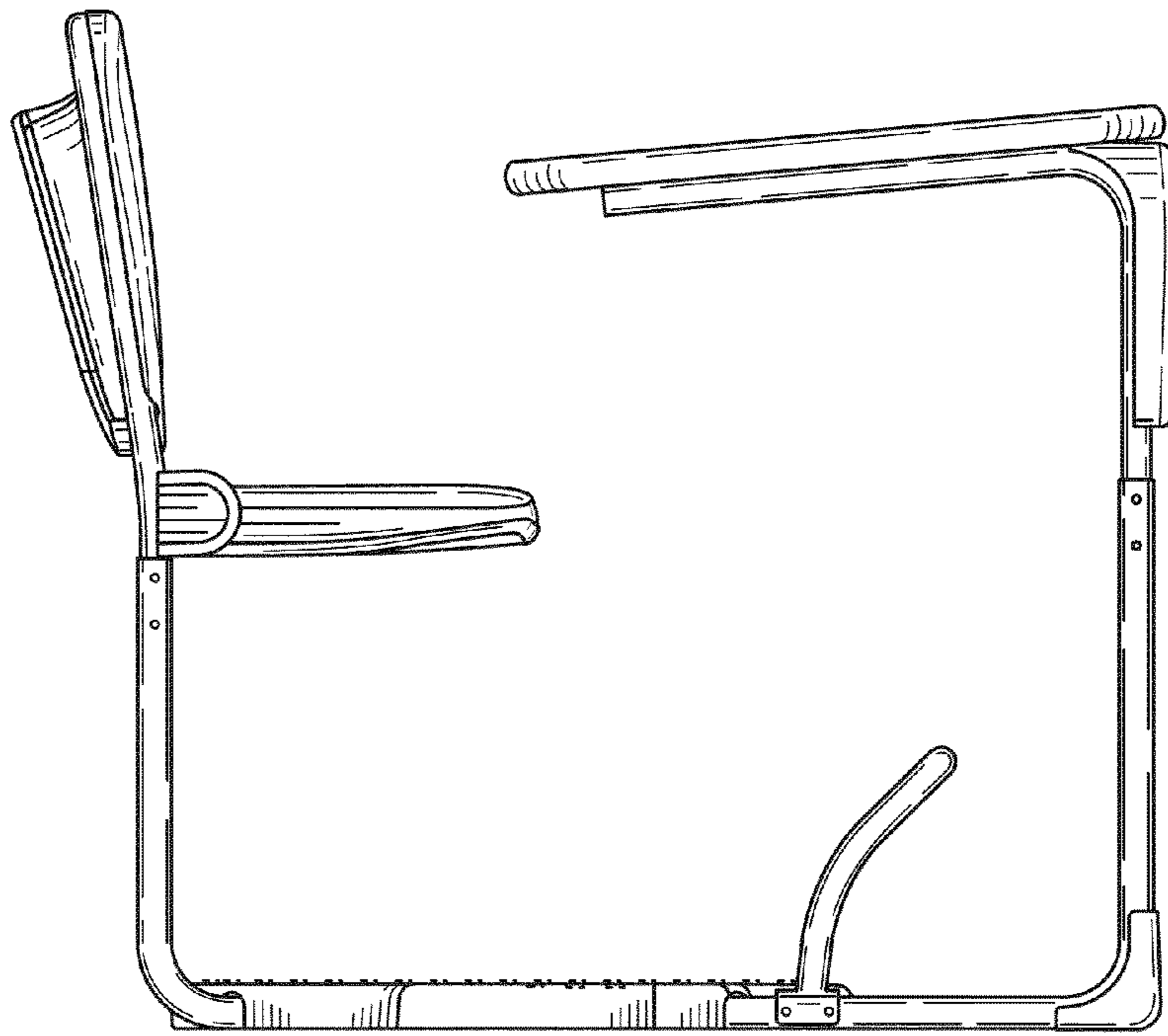


FIG. 4

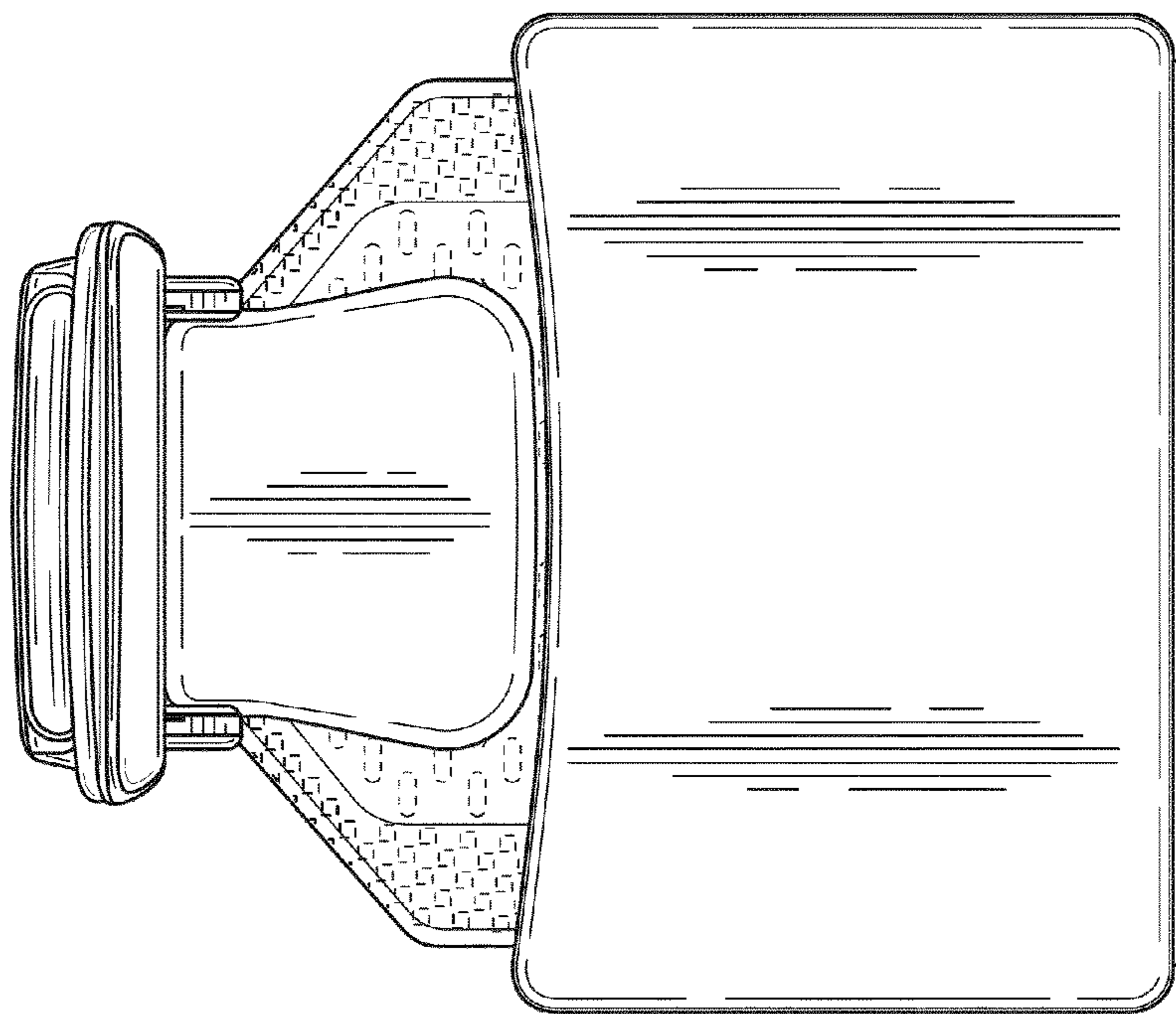
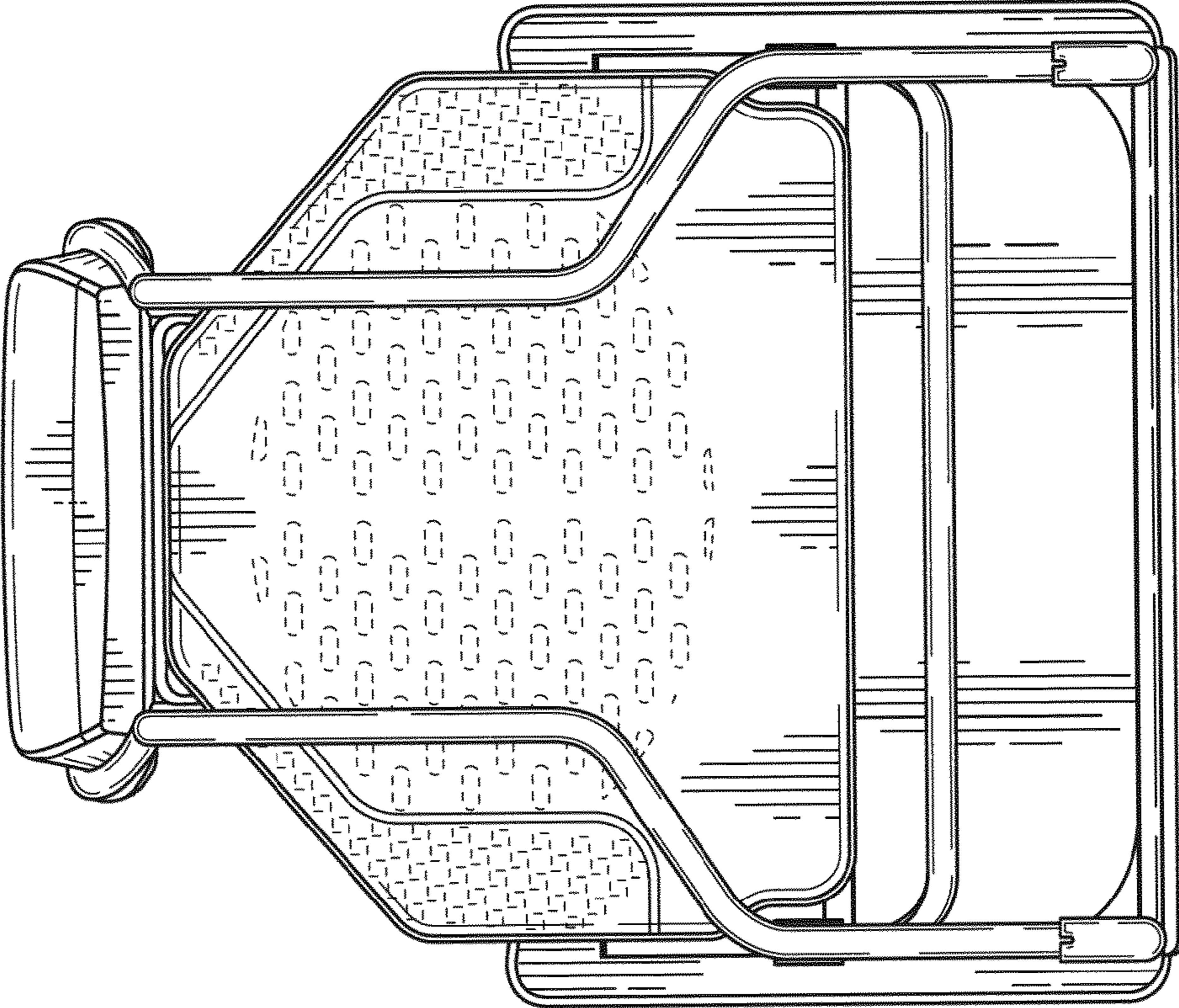


FIG. 5



**FIG. 6**