



US00D649367S

(12) **United States Design Patent**  
**Andersen**

(10) **Patent No.:** **US D649,367 S**

(45) **Date of Patent:** **\*\* \*Nov. 29, 2011**

(54) **CHAIR**

(75) **Inventor:** **Per Weiss Andersen**, Randers (DK)

(73) **Assignee:** **Innovation U.S.A., Inc.**, Hanover, MD (US)

(\*) **Notice:** This patent is subject to a terminal disclaimer.

(\*\*) **Term:** **14 Years**

(21) **Appl. No.:** **29/364,413**

(22) **Filed:** **Jun. 23, 2010**

(51) **LOC (9) Cl.** ..... **06-01**

(52) **U.S. Cl.** ..... **D6/335**

(58) **Field of Classification Search** ..... D6/334,  
D6/349, 355, 359, 369, 370, 371, 381-383,  
D6/491, 492, 500-503, 374; 297/94, 181,  
297/233, 234, 235, 283.2, 311, 351, 353,  
297/354.1, 354.12, 354.13, 445.1, 451.1,  
297/451.8, 451.9; 5/12.1, 12.2

See application file for complete search history.

(56) **References Cited**

U.S. PATENT DOCUMENTS

D591,970	S	*	5/2009	Weiss	.....	D6/381
D603,617	S	*	11/2009	Weiss	.....	D6/381
D603,618	S	*	11/2009	Weiss	.....	D6/381
D604,957	S	*	12/2009	Weiss	.....	D6/381
D614,419	S	*	4/2010	Andersen	.....	D6/381
D615,766	S	*	5/2010	Andersen	.....	D6/381
D617,571	S	*	6/2010	Andersen	.....	D6/381
D618,007	S	*	6/2010	Andersen	.....	D6/381
D623,869	S	*	9/2010	Andersen	.....	D6/381

FOREIGN PATENT DOCUMENTS

MX	32689	1/2010
MX	32690	1/2010

OTHER PUBLICATIONS

Mexican Industrial Design Application MX/f/2010/003327—Office Action (Folio 32389) dated Apr. 29, 2011.  
Mexican Industrial Design Application MX/f/2010/003328—Office Action (Folio 32390) dated Apr. 29, 2011.

\* cited by examiner

*Primary Examiner* — Sandra Snapp

(74) *Attorney, Agent, or Firm* — Miles & Stockbridge P.C.; James T. Carmichael, Esq.; Michael A. Minter, Esq.

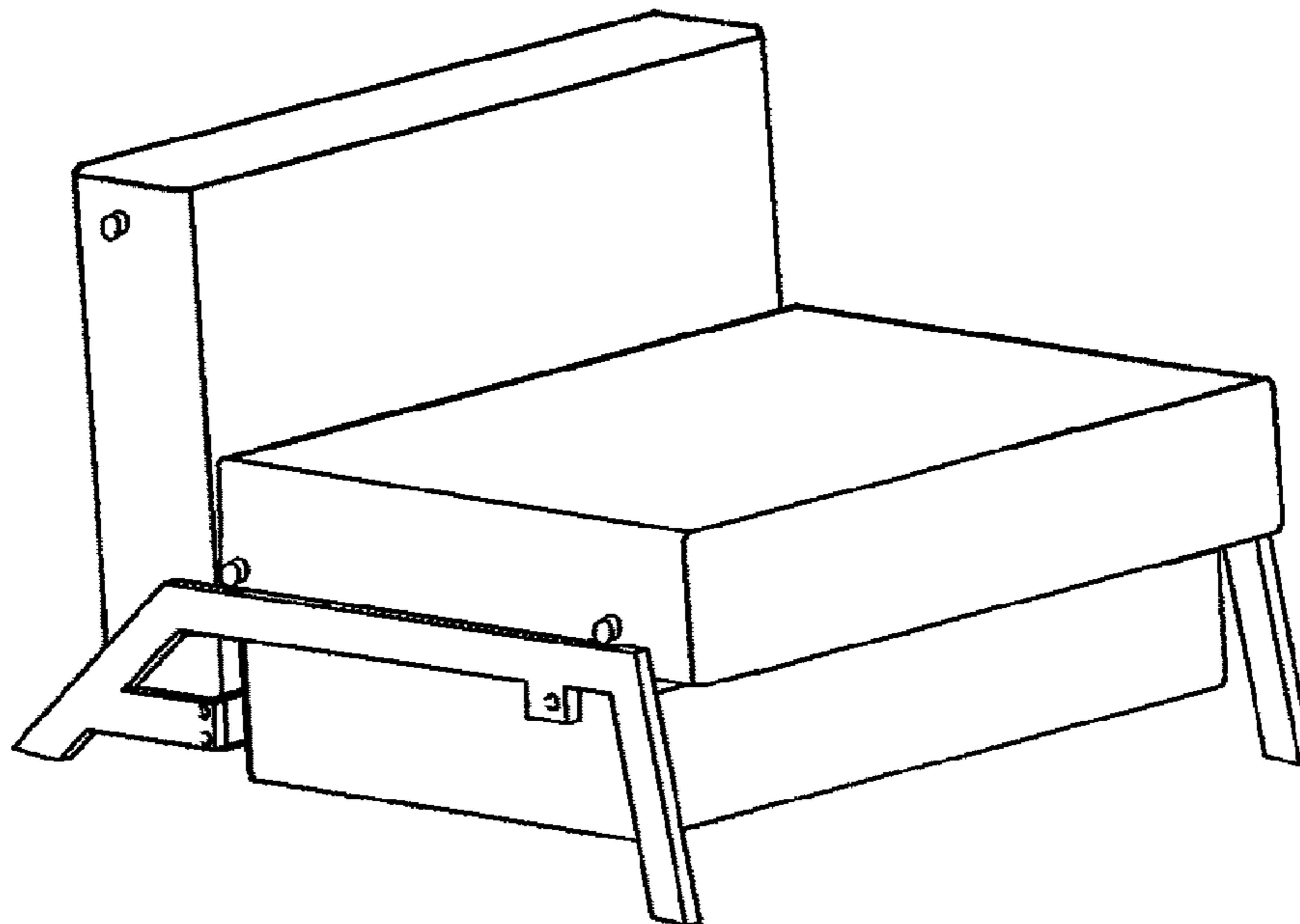
(57) **CLAIM**

The ornamental design for a chair, as shown and described.

**DESCRIPTION**

FIG. 1 is a front view of the design for a chair;  
FIG. 2 is a rear view thereof;  
FIG. 3 is a top view thereof;  
FIG. 4 is a bottom view thereof;  
FIG. 5 is a left side view thereof;  
FIG. 6 is a right side view thereof;  
FIG. 7 is a left perspective view thereof;  
FIG. 8 is a right perspective view thereof;  
FIG. 9 is a left perspective view of the chair in a reclined position; and,  
FIG. 10 is a right perspective view thereof.  
The broken lines shown in the drawings are for illustrative purposes only and form no part of the claimed design.

**1 Claim, 7 Drawing Sheets**



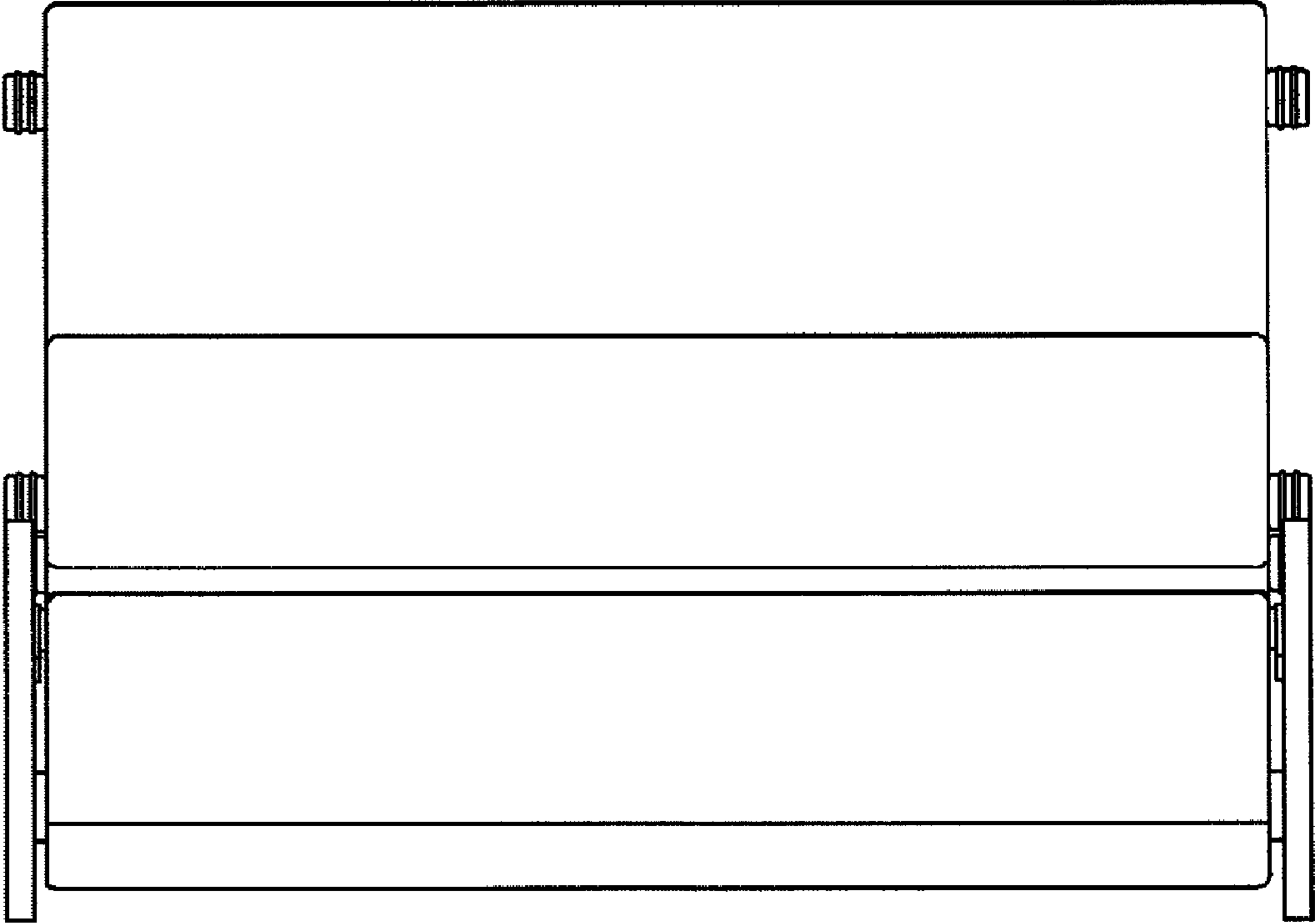


FIG. 1

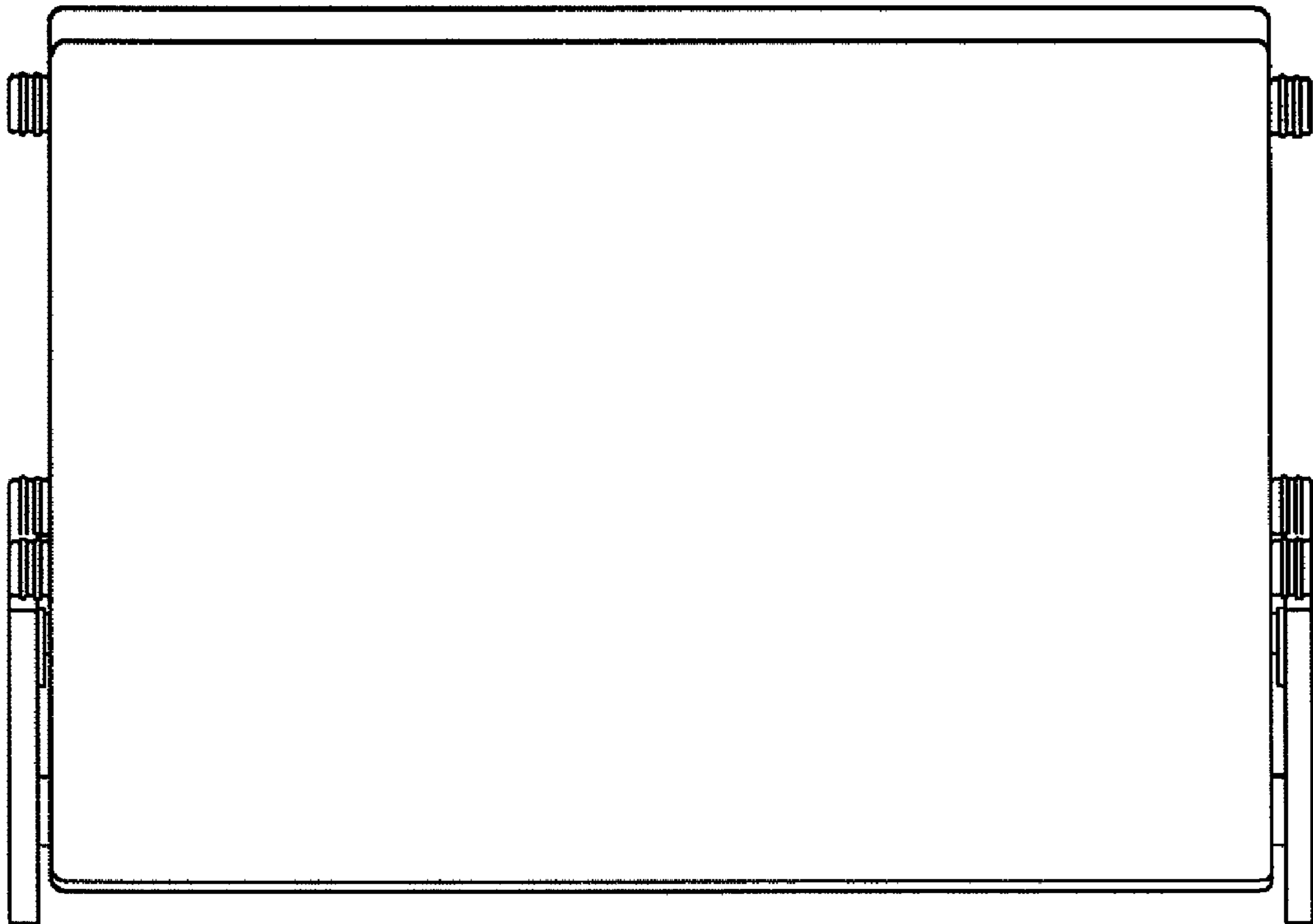


FIG. 2

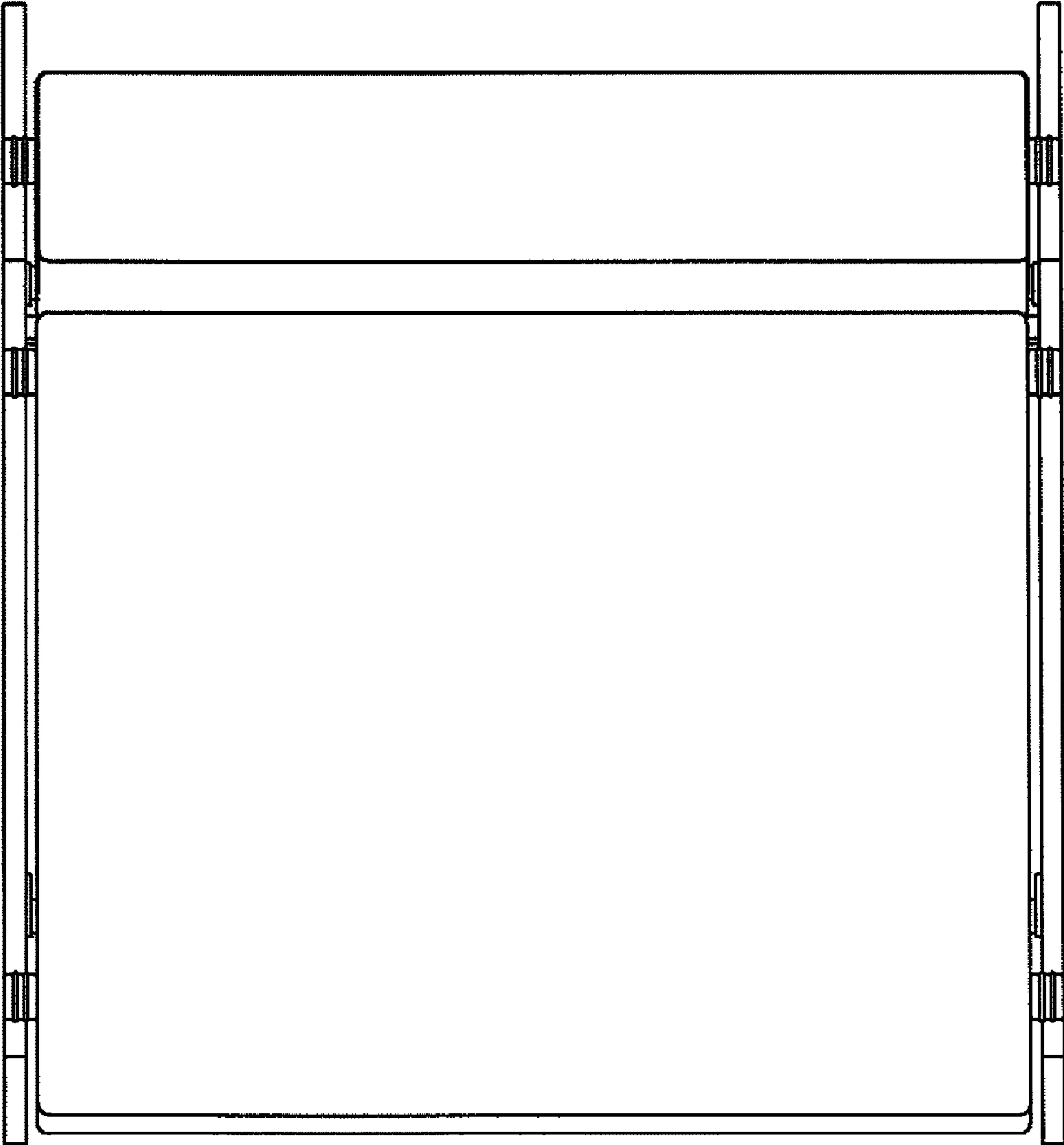


FIG. 3

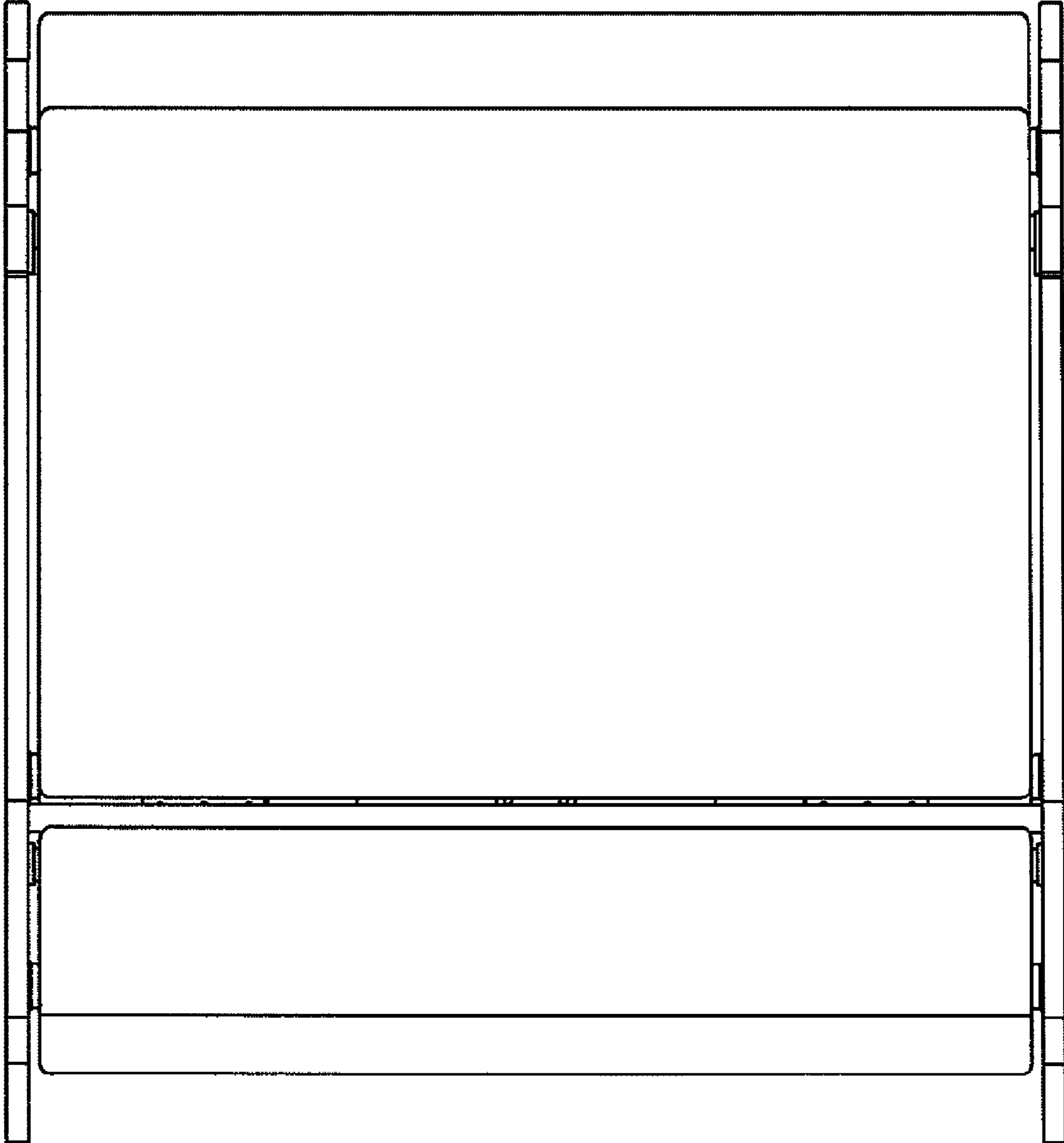


FIG. 4

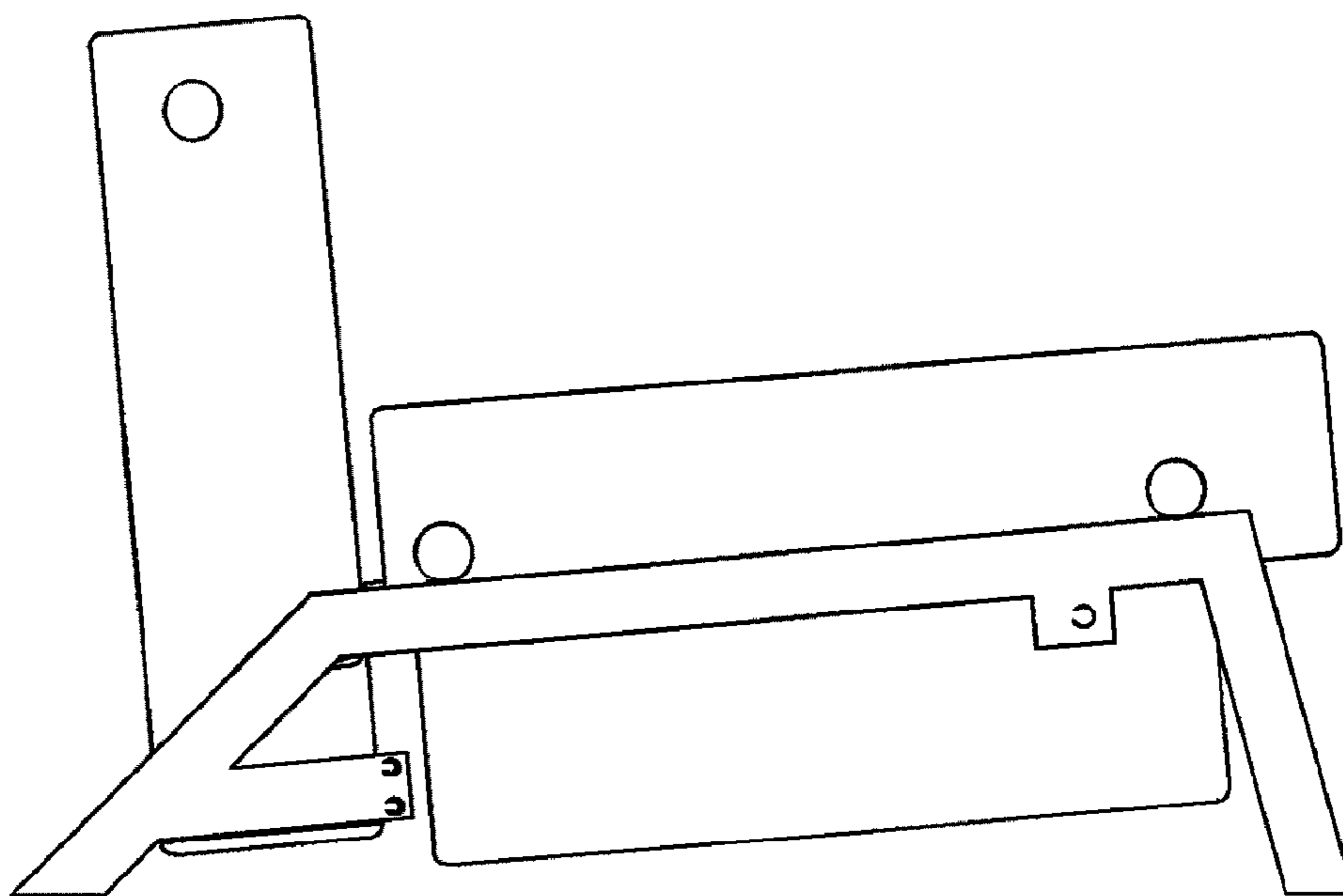


FIG. 5

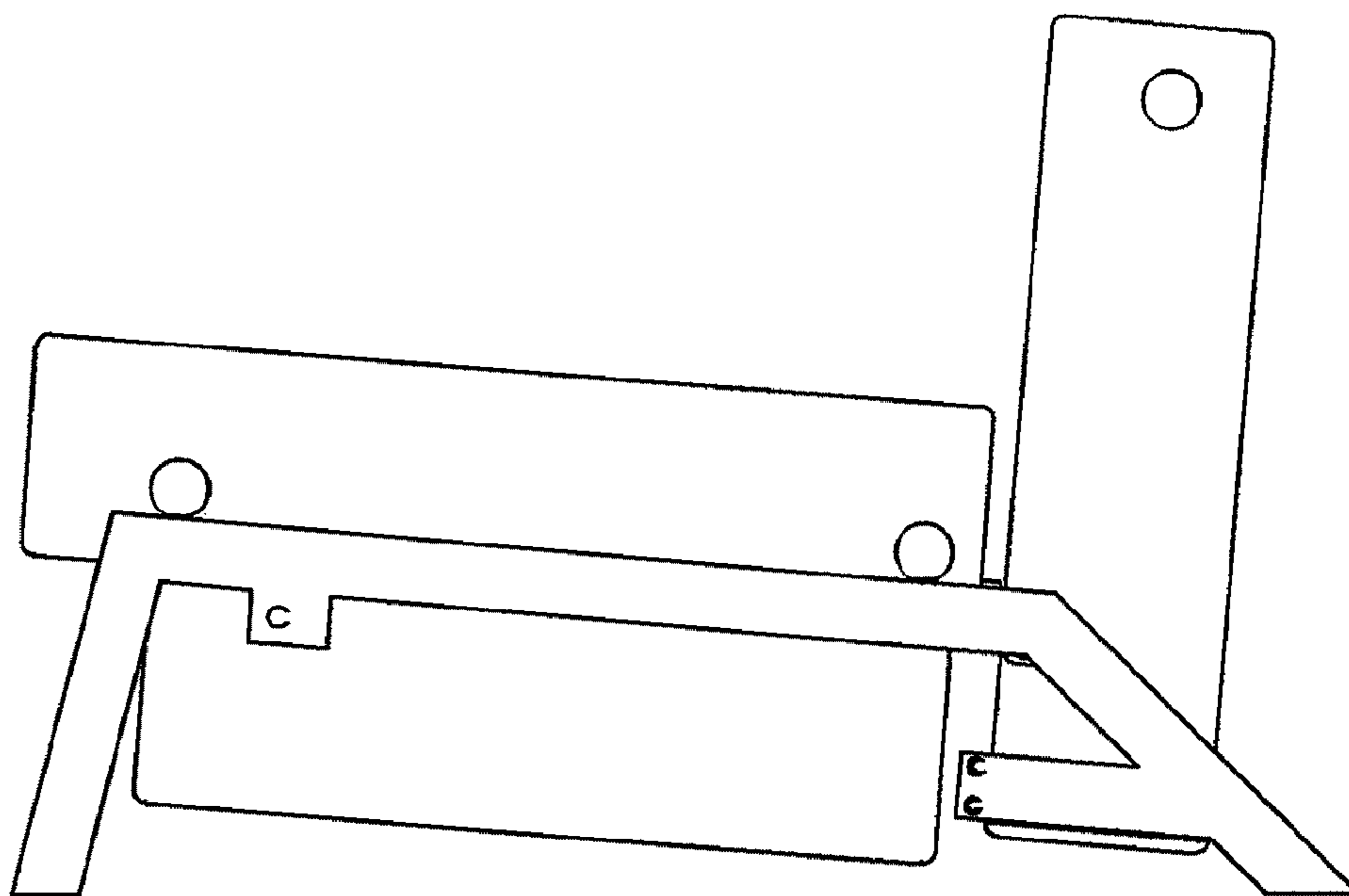


FIG. 6

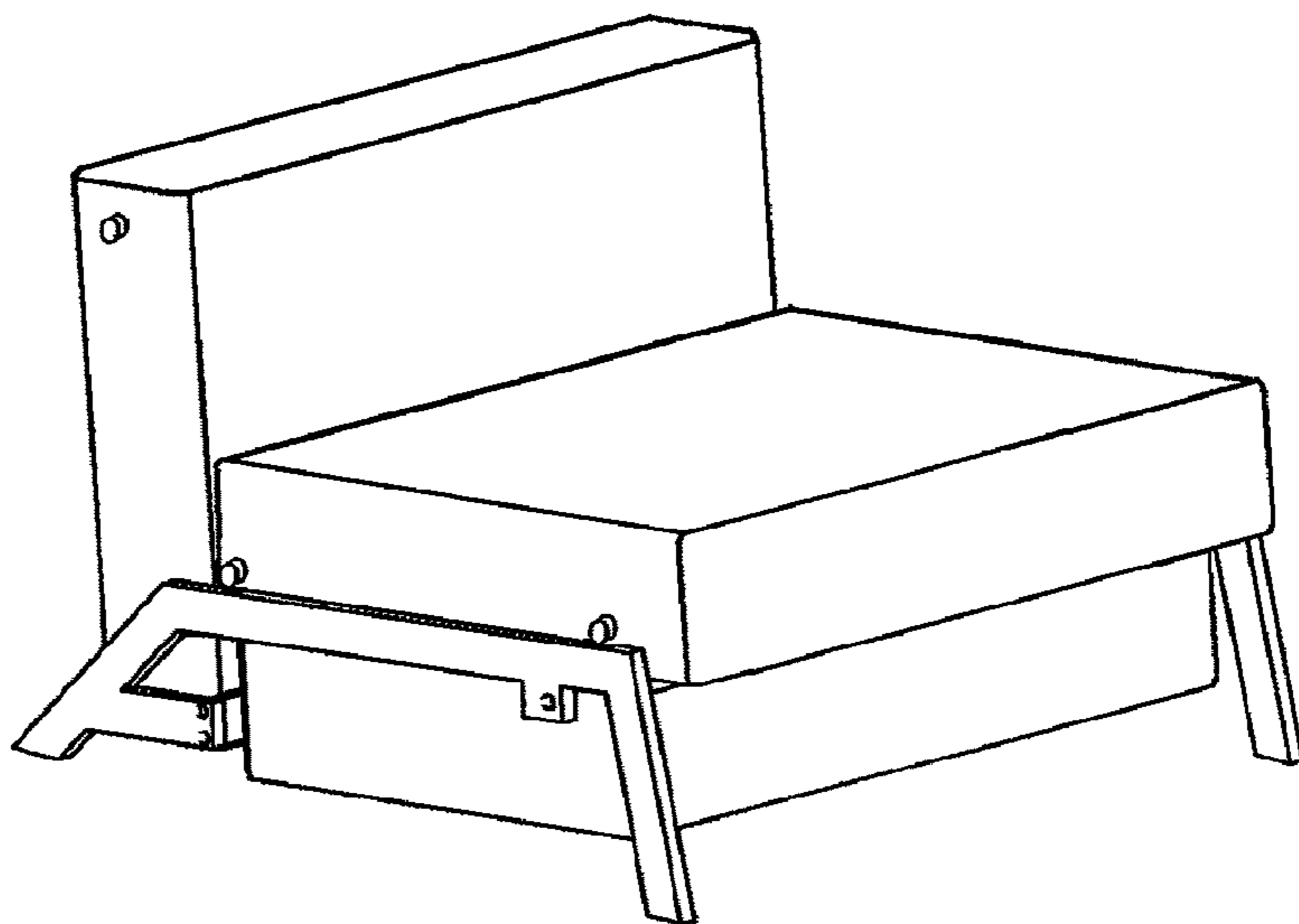


FIG. 7

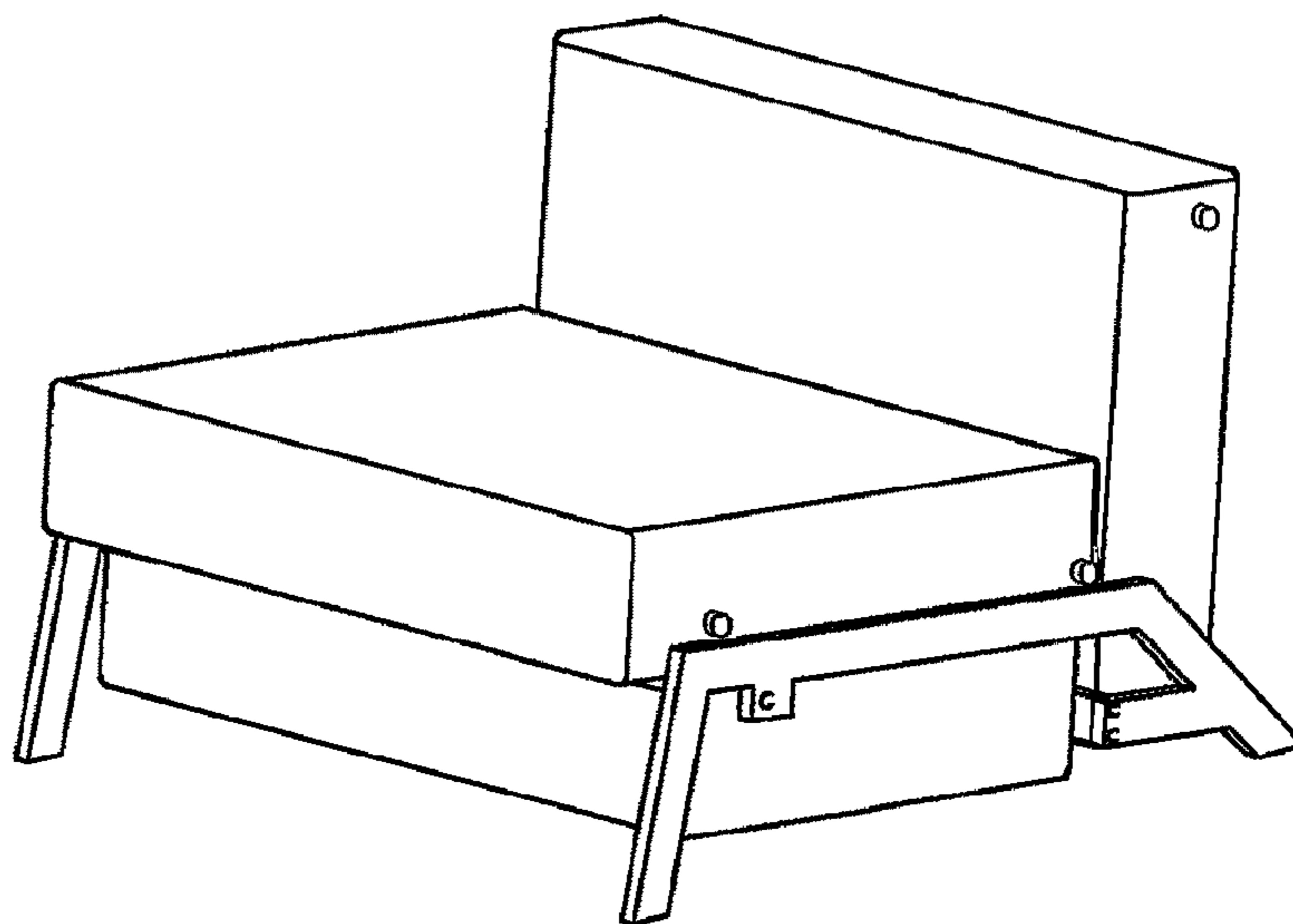


FIG. 8

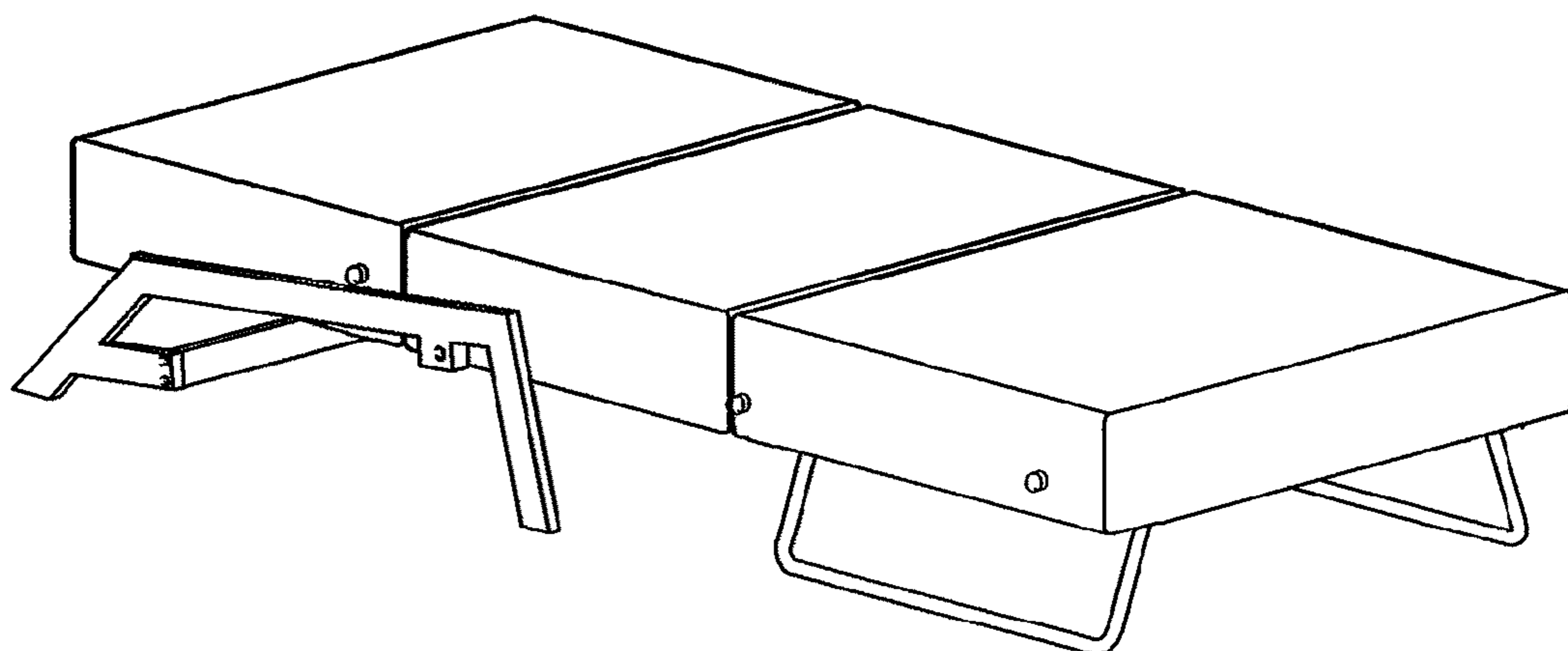


FIG. 9

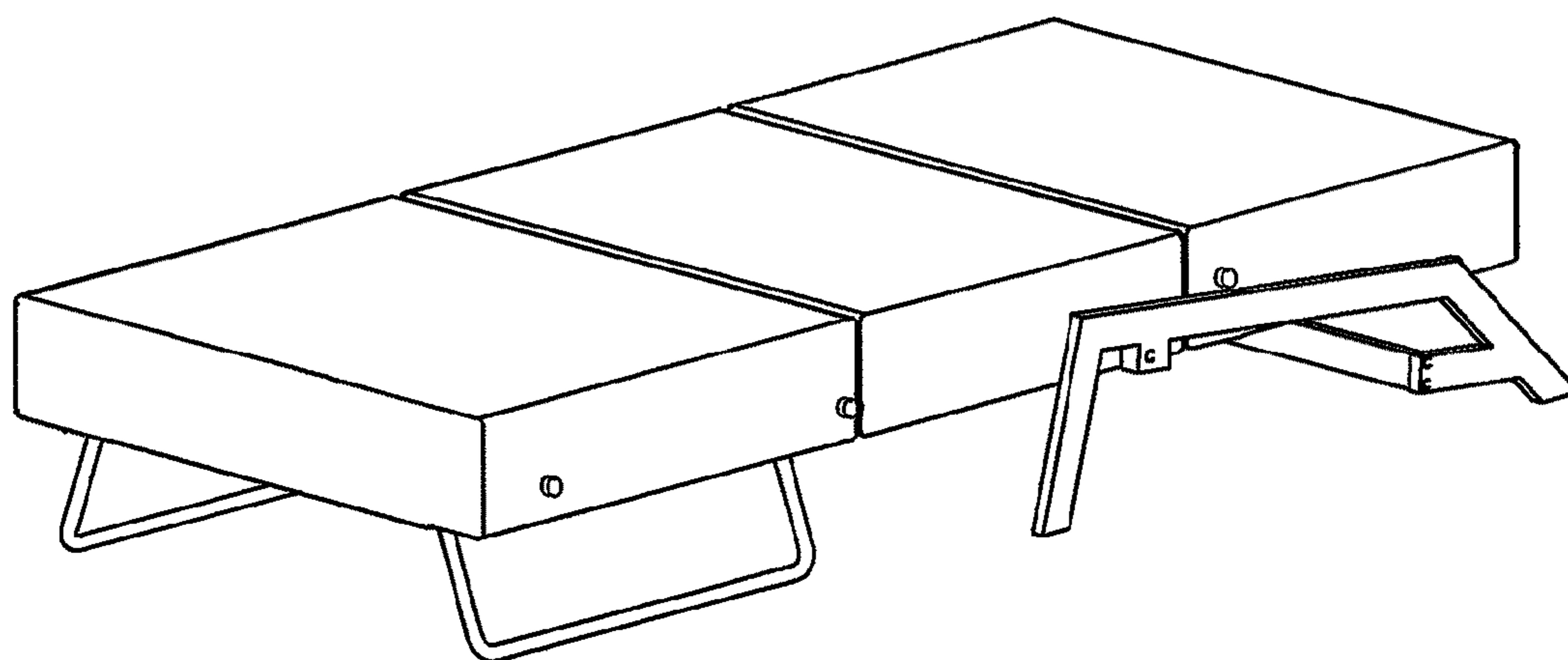


FIG. 10