



US00D649366S

(12) **United States Design Patent**
Andersen

(10) **Patent No.:** **US D649,366 S**

(45) **Date of Patent:** **** *Nov. 29, 2011**

(54) **CHAIR**

FOREIGN PATENT DOCUMENTS

(75) Inventor: **Per Weiss Andersen**, Randers (DK)

MX 32689 1/2010
MX 32690 1/2010

(73) Assignee: **Innovation U.S.A., Inc.**, Hanover, MD (US)

OTHER PUBLICATIONS

(*) Notice: This patent is subject to a terminal disclaimer.

Mexican Industrial Design Application MX/f/2010/003327—Office Action (Folio 32389) dated Apr. 29, 2011.
Mexican Industrial Design Application MX/f/2010/003328—Office Action (Folio 32390) dated Apr. 29, 2011.

(**) Term: **14 Years**

* cited by examiner

(21) Appl. No.: **29/364,410**

Primary Examiner — Sandra Snapp

(22) Filed: **Jun. 23, 2010**

(74) *Attorney, Agent, or Firm* — Miles & Stockbridge P.C.; James T. Carmichael, Esq.; Michael A. Miller, Esq.

(51) **LOC (9) Cl.** **06-01**

(52) **U.S. Cl.** **D6/335**

(58) **Field of Classification Search** D6/334,
D6/349, 355, 359, 369, 370, 371, 381–383,
D6/491, 492, 500–503, 374; 297/94, 181,
297/233, 234, 235, 283.2, 311, 351, 353,
297/354.1, 354.12, 354.13, 445.1, 451.1,
297/451.8, 451.9; 5/12.1, 12.2

(57) **CLAIM**

The ornamental design for a chair, as shown and described.

See application file for complete search history.

DESCRIPTION

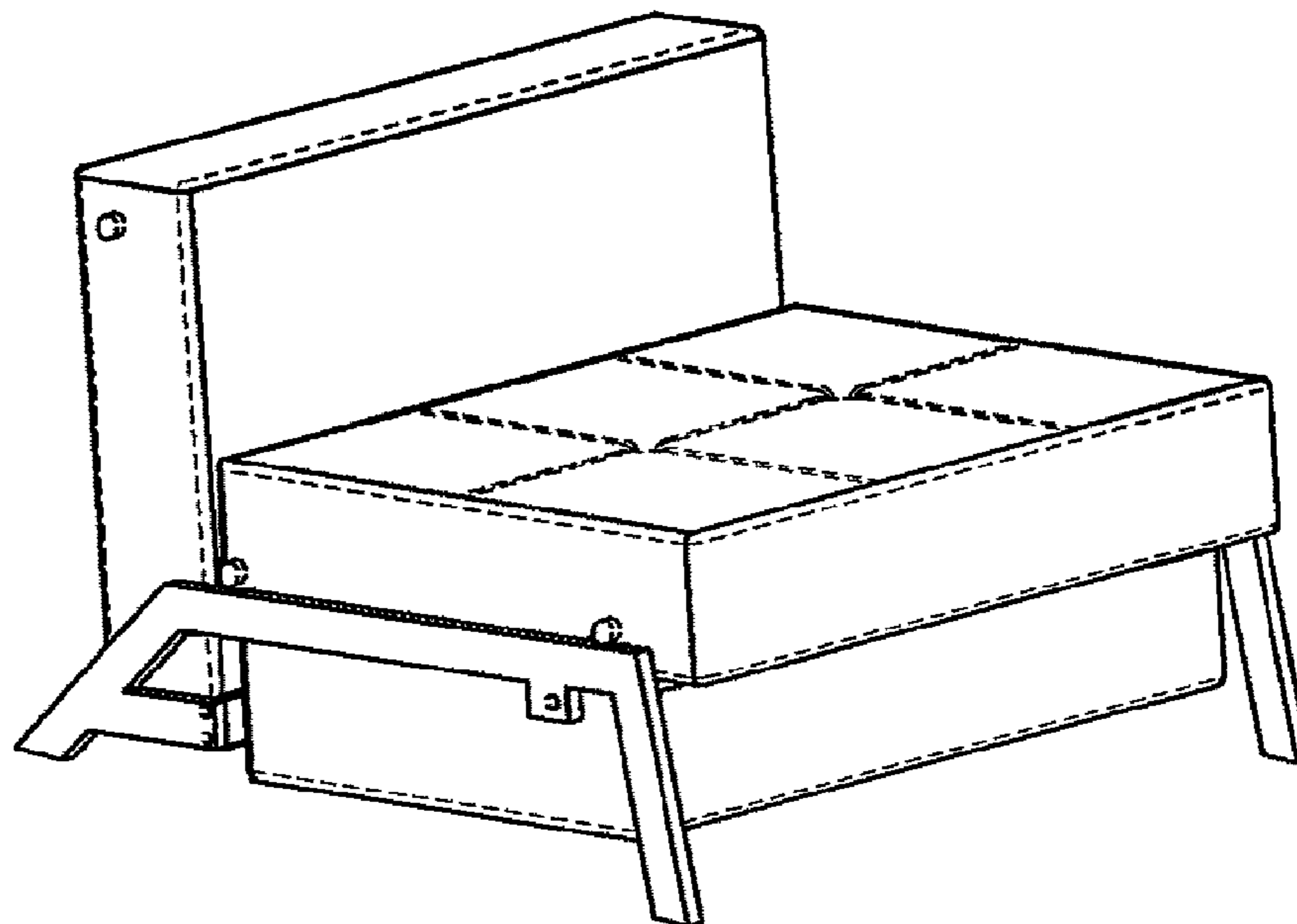
(56) **References Cited**

U.S. PATENT DOCUMENTS

D591,970 S *	5/2009	Weiss	D6/381
D603,617 S *	11/2009	Weiss	D6/381
D603,618 S *	11/2009	Weiss	D6/381
D604,957 S *	12/2009	Weiss	D6/381
D614,419 S *	4/2010	Andersen	D6/381
D615,766 S *	5/2010	Andersen	D6/381
D617,571 S *	6/2010	Andersen	D6/381
D618,007 S *	6/2010	Andersen	D6/381
D623,869 S *	9/2010	Andersen	D6/381

FIG. 1 is a front view of the design for a chair;
FIG. 2 is a rear view thereof;
FIG. 3 is a top view thereof;
FIG. 4 is a bottom view thereof;
FIG. 5 is a left side view thereof;
FIG. 6 is a right side view thereof;
FIG. 7 is a left perspective view thereof;
FIG. 8 is a right perspective view thereof;
FIG. 9 is a left perspective view of the chair in a reclined position; and,
FIG. 10 is a right perspective view thereof.
The dotted lines shown on the article represent topstitching.
The broken lines shown in the drawings are for illustrative purposes only and form no part of the claimed design.

1 Claim, 7 Drawing Sheets



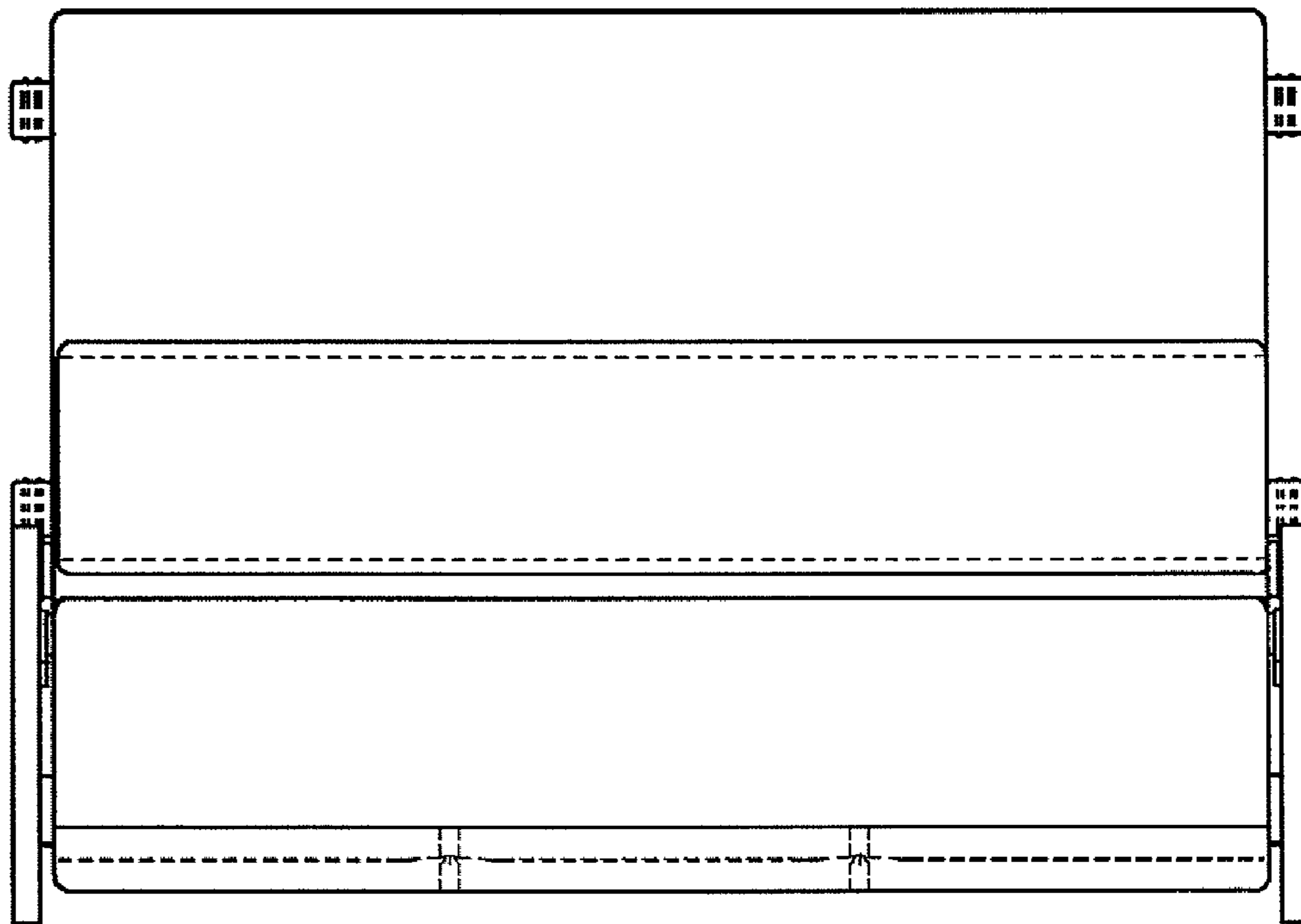


FIG. 1

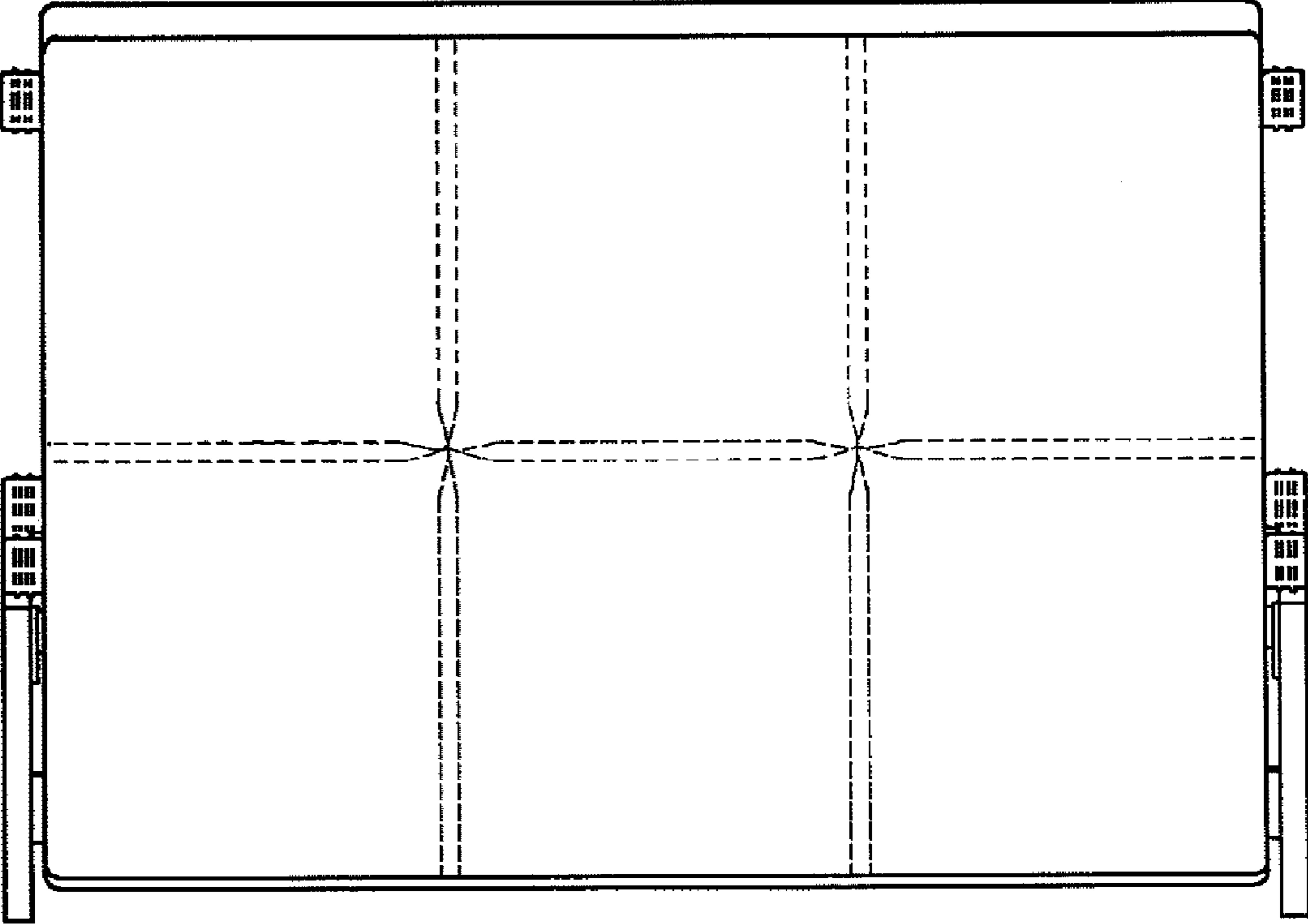


FIG. 2

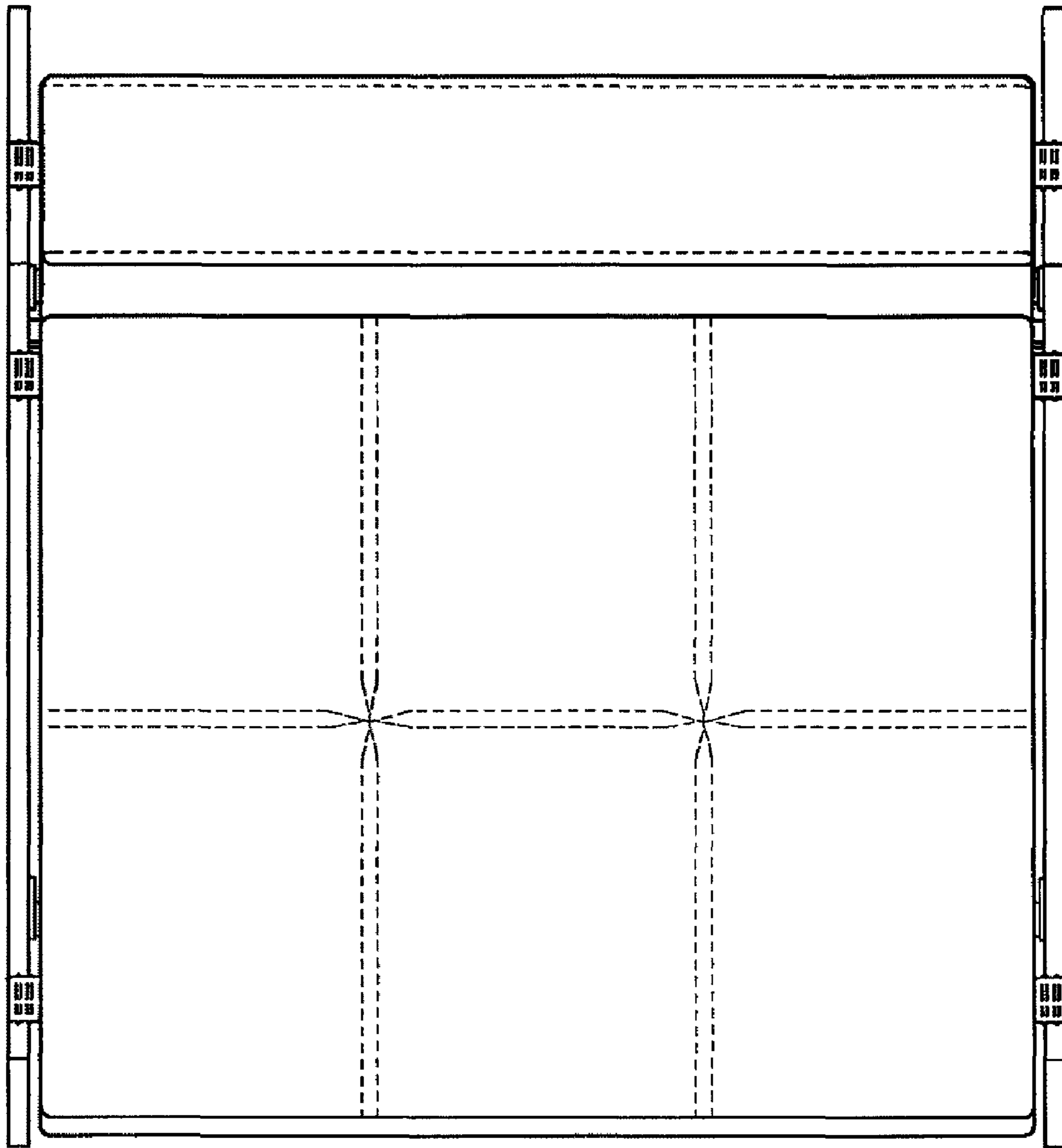


FIG. 3

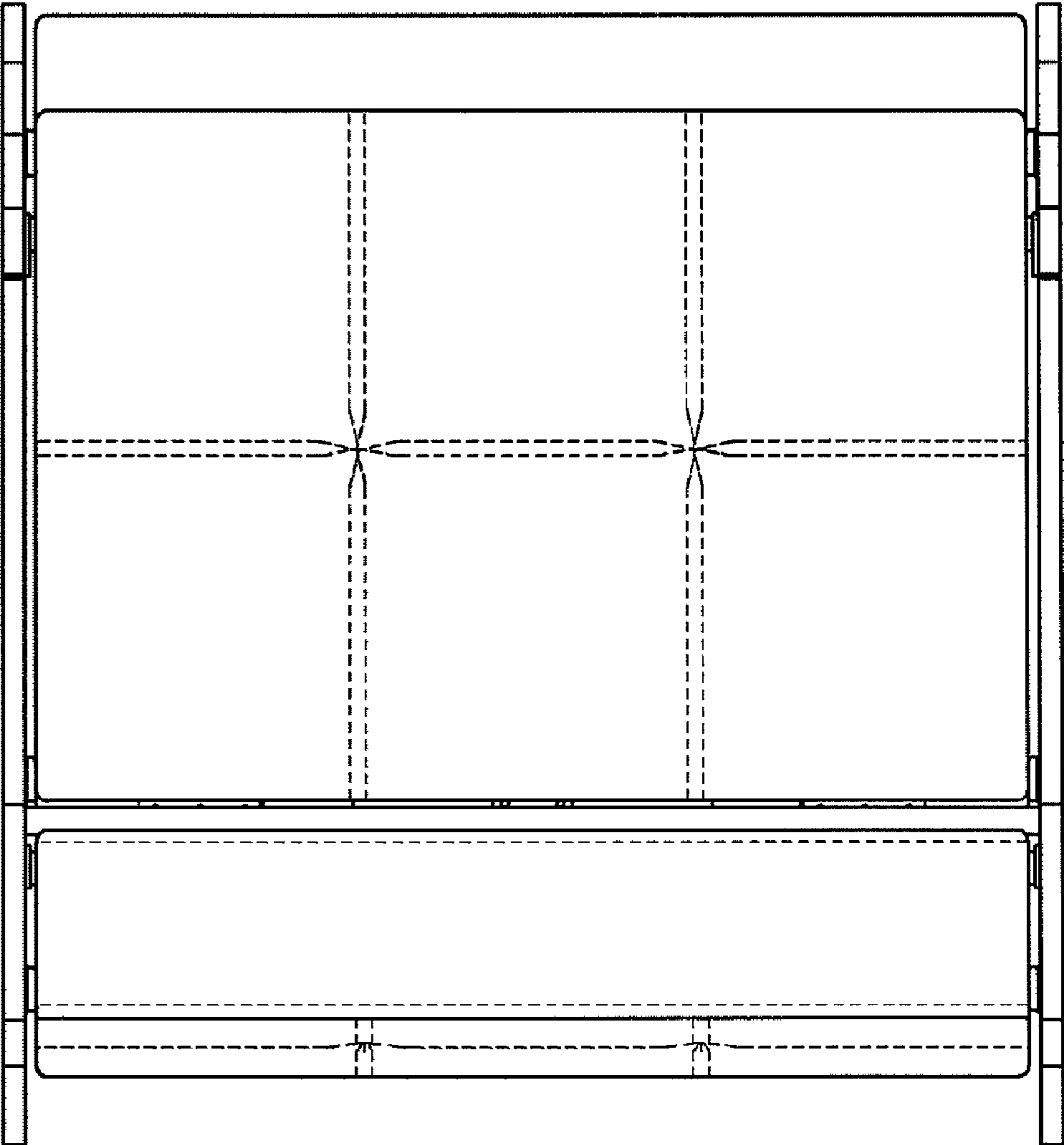


FIG. 4

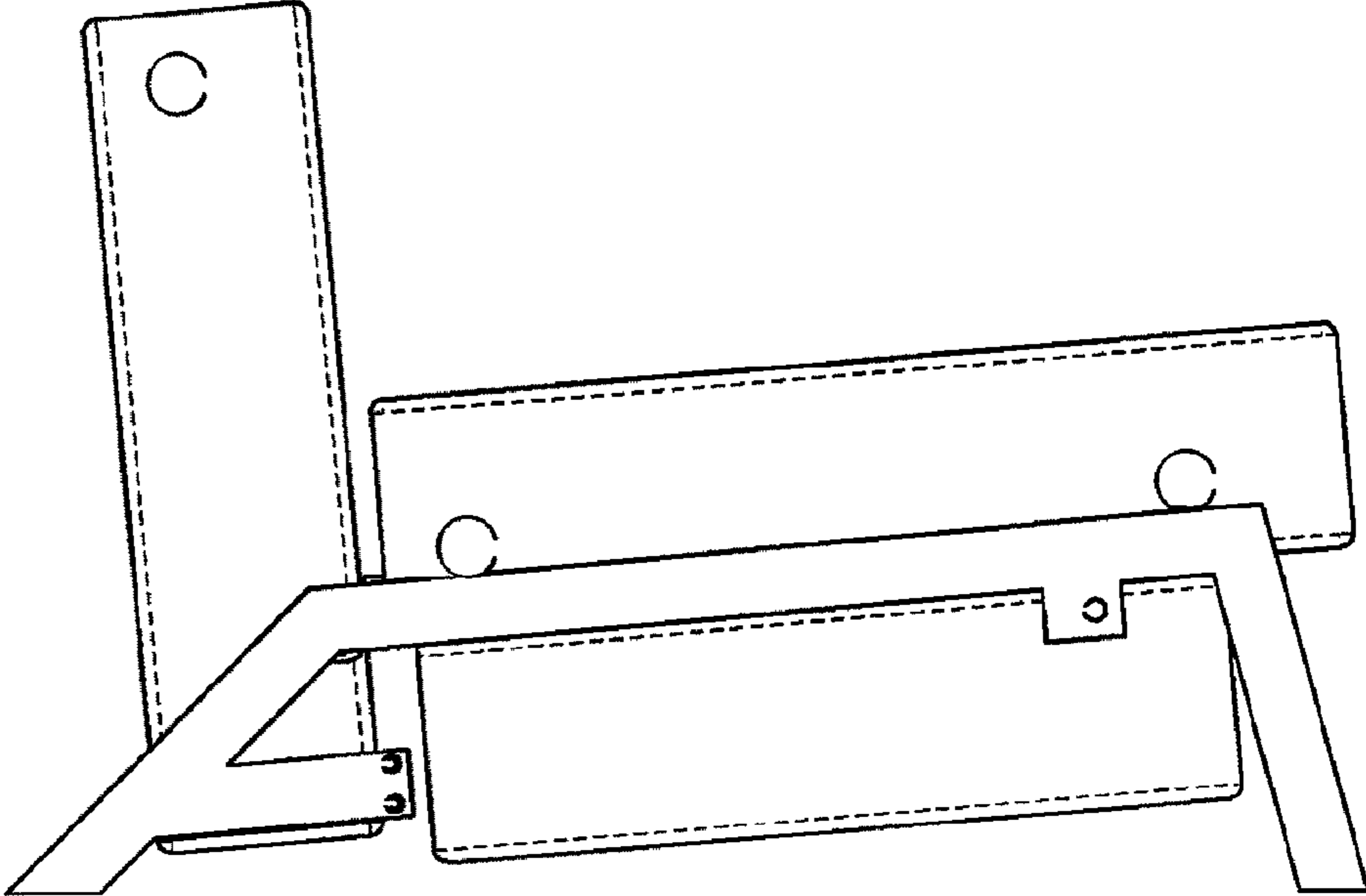


FIG. 5

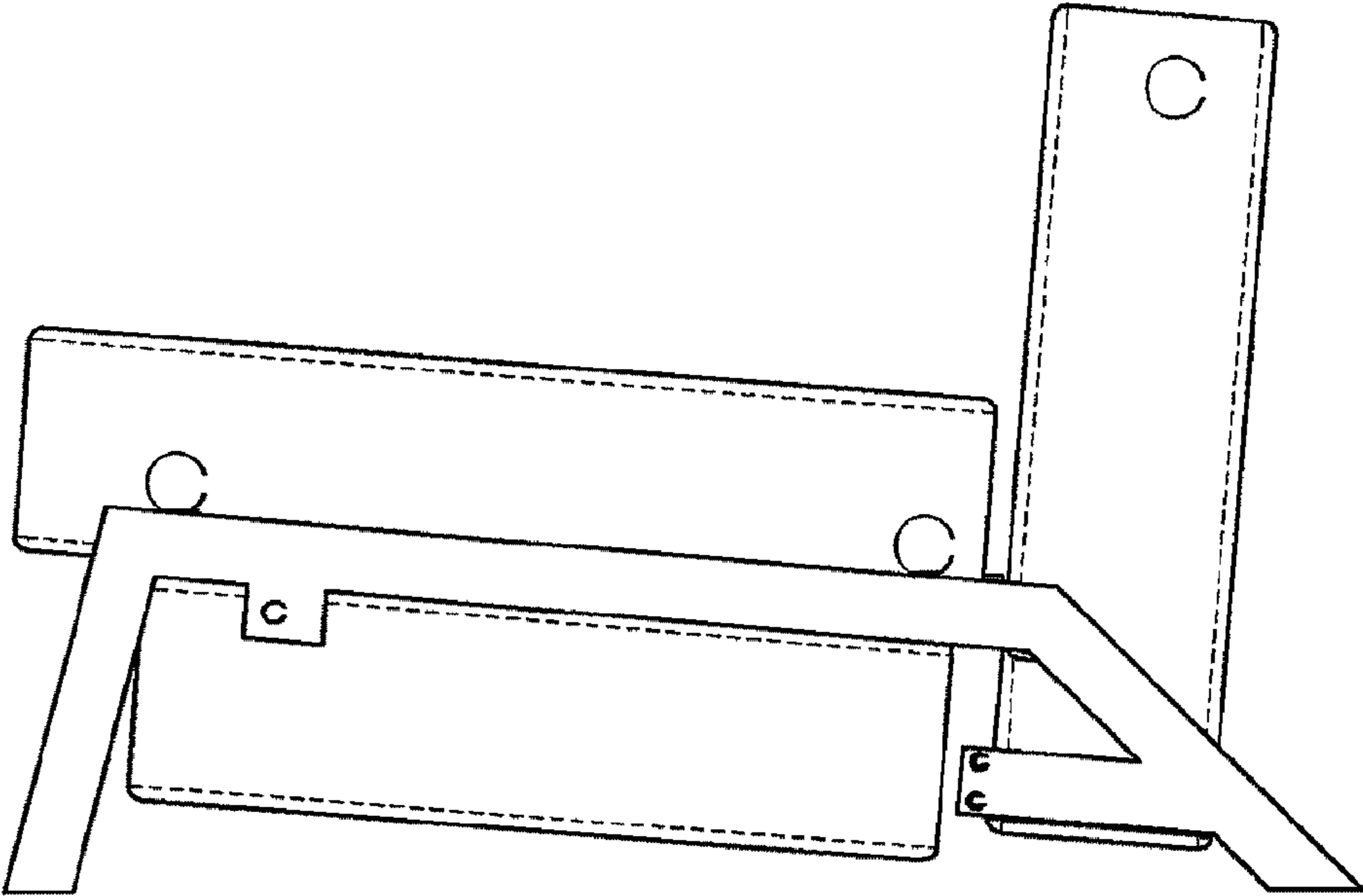


FIG. 6

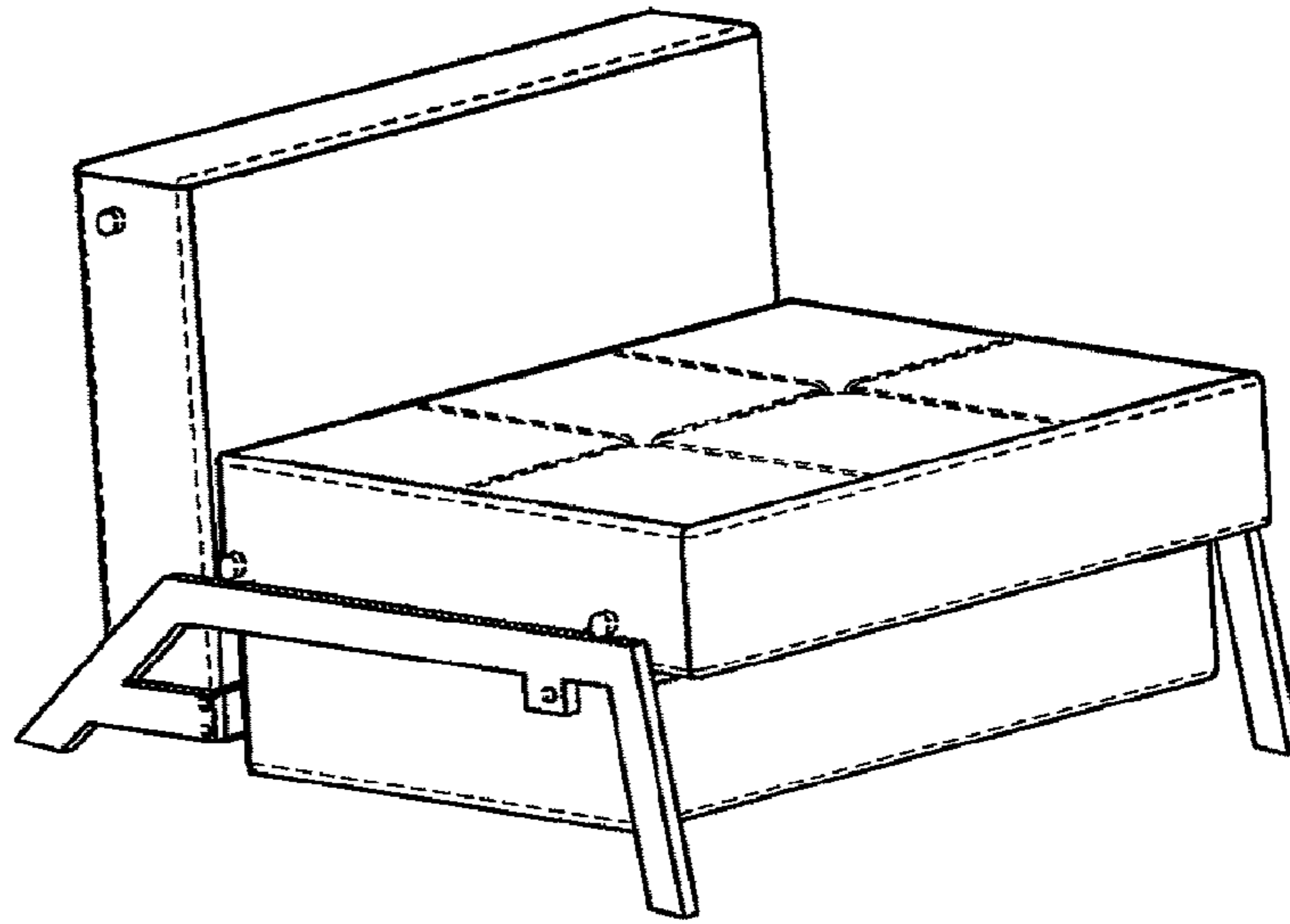


FIG. 7

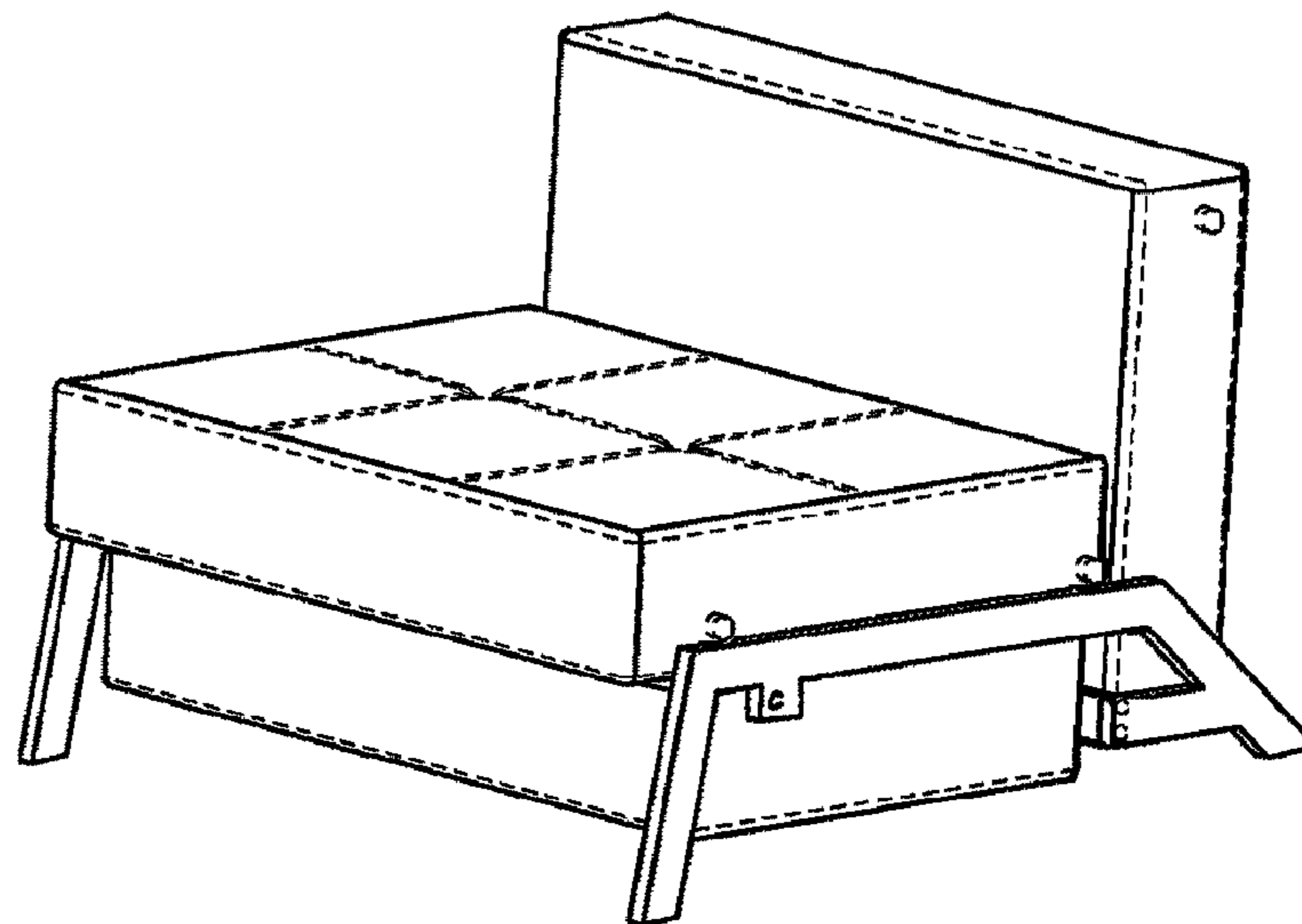


FIG. 8

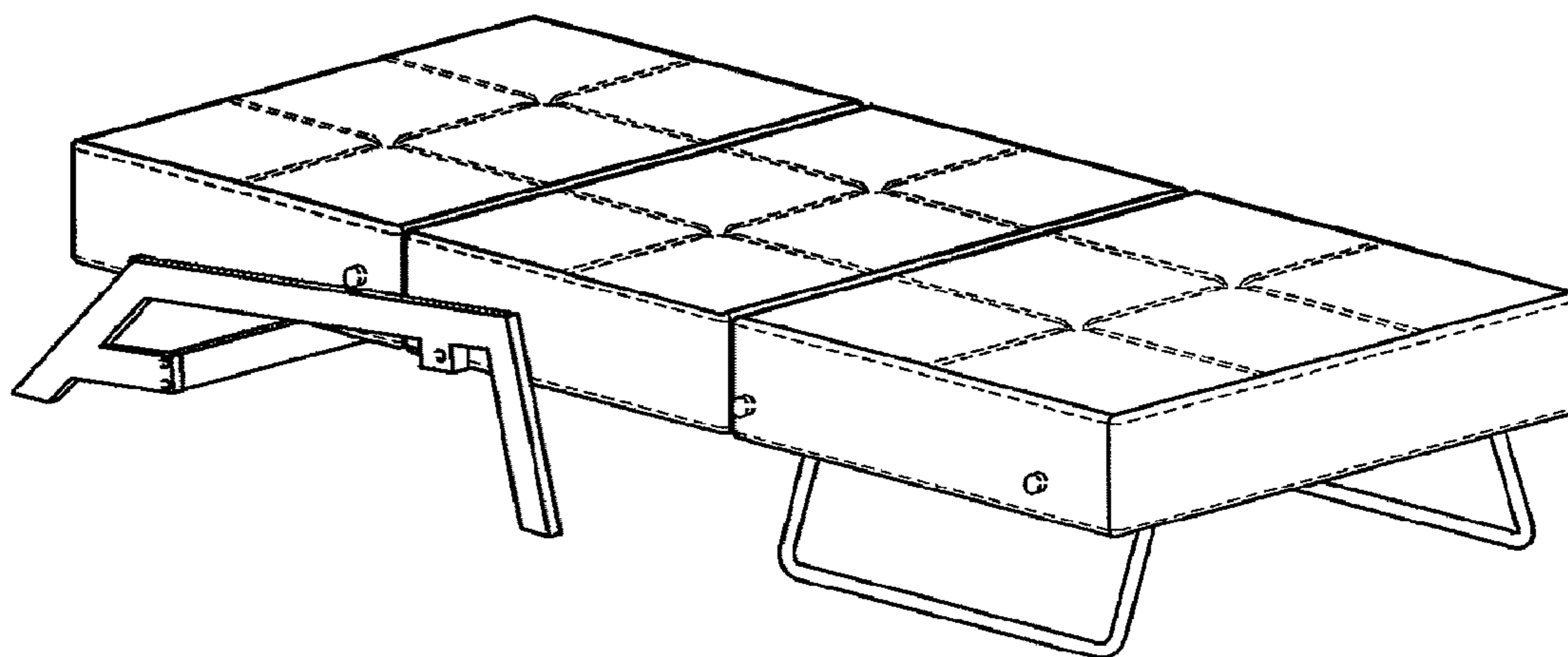


FIG. 9

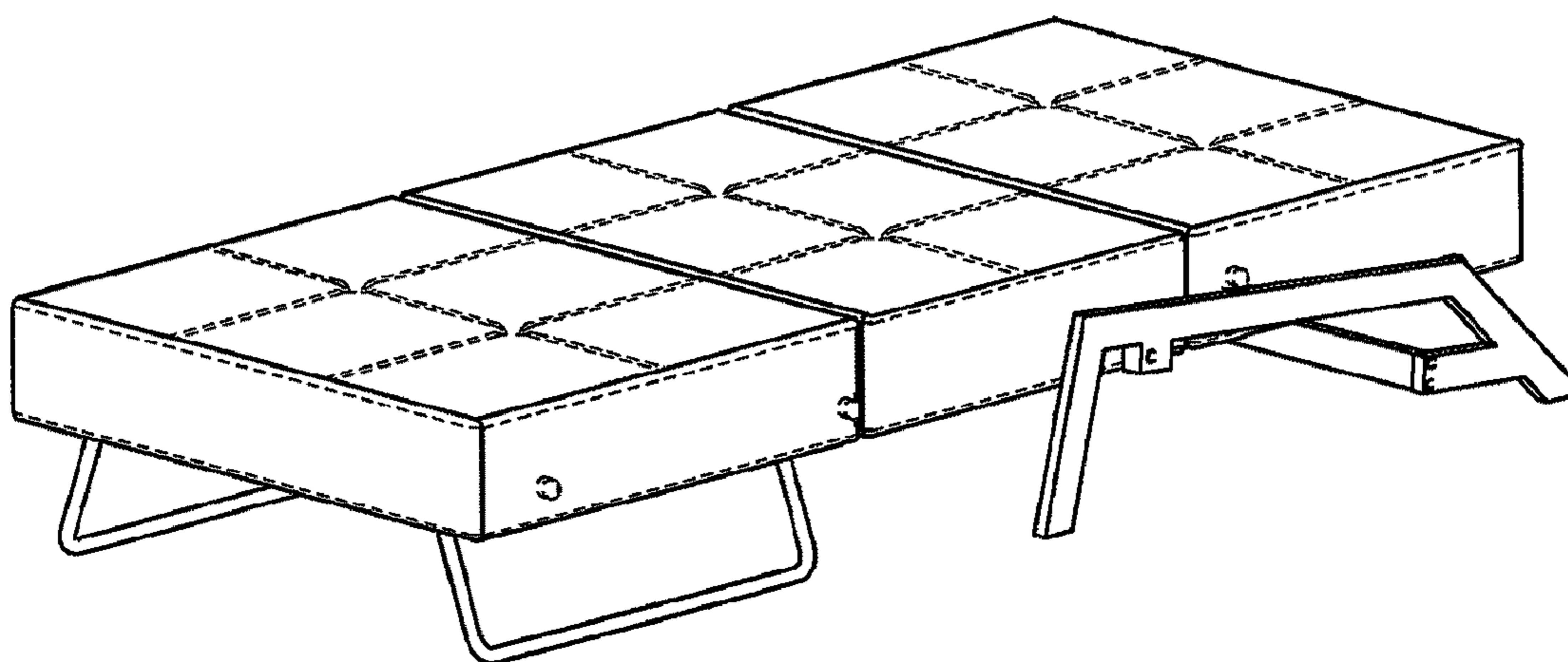


FIG. 10