



US00D649365S

(12) **United States Design Patent**
Young

(10) **Patent No.:** **US D649,365 S**

(45) **Date of Patent:** **** Nov. 29, 2011**

(54) **GARMENT HANGER**

(75) Inventor: **John Young**, Hacienda Heights, CA
(US)

(73) Assignee: **Hanger Tiser, Inc.**, Hacienda Heights,
CA (US)

(**) Term: **14 Years**

(21) Appl. No.: **29/387,178**

(22) Filed: **Mar. 10, 2011**

(51) **LOC (9) Cl.** **06-08**

(52) **U.S. Cl.** **D6/318**

(58) **Field of Classification Search** D6/315-328;
223/85-98; 211/85.3, 113, 119
See application file for complete search history.

(56) **References Cited**

U.S. PATENT DOCUMENTS

D149,902 S *	6/1948	Petty	D6/316
D191,824 S *	11/1961	Dollins	D11/202
4,155,531 A *	5/1979	Bagne	248/692
D271,848 S *	12/1983	Tcherneshoff	D8/373

4,948,019 A *	8/1990	Rodum	223/94
D321,288 S *	11/1991	Nichol, Jr.	D6/315
5,069,373 A *	12/1991	Kolton et al.	223/85
5,579,964 A *	12/1996	Fochtman	223/94
D605,859 S *	12/2009	Barker et al.	D6/315
D638,632 S *	5/2011	Lo	D6/328

* cited by examiner

Primary Examiner — Prabhakar Deshmukh

(74) *Attorney, Agent, or Firm* — Nwamu, PC; Fidel D. Nwamu

(57) **CLAIM**

The ornamental design for a garment hanger, as shown and described.

DESCRIPTION

FIG. 1 is a front elevational view of a garment hanger showing my new design;

FIG. 2 is a rear elevational view thereof;

FIG. 3 is a left side elevational view thereof;

FIG. 4 is a right side elevational view thereof;

FIG. 5 is a bottom plan view thereof; and,

FIG. 6 is a top plan view thereof.

1 Claim, 4 Drawing Sheets

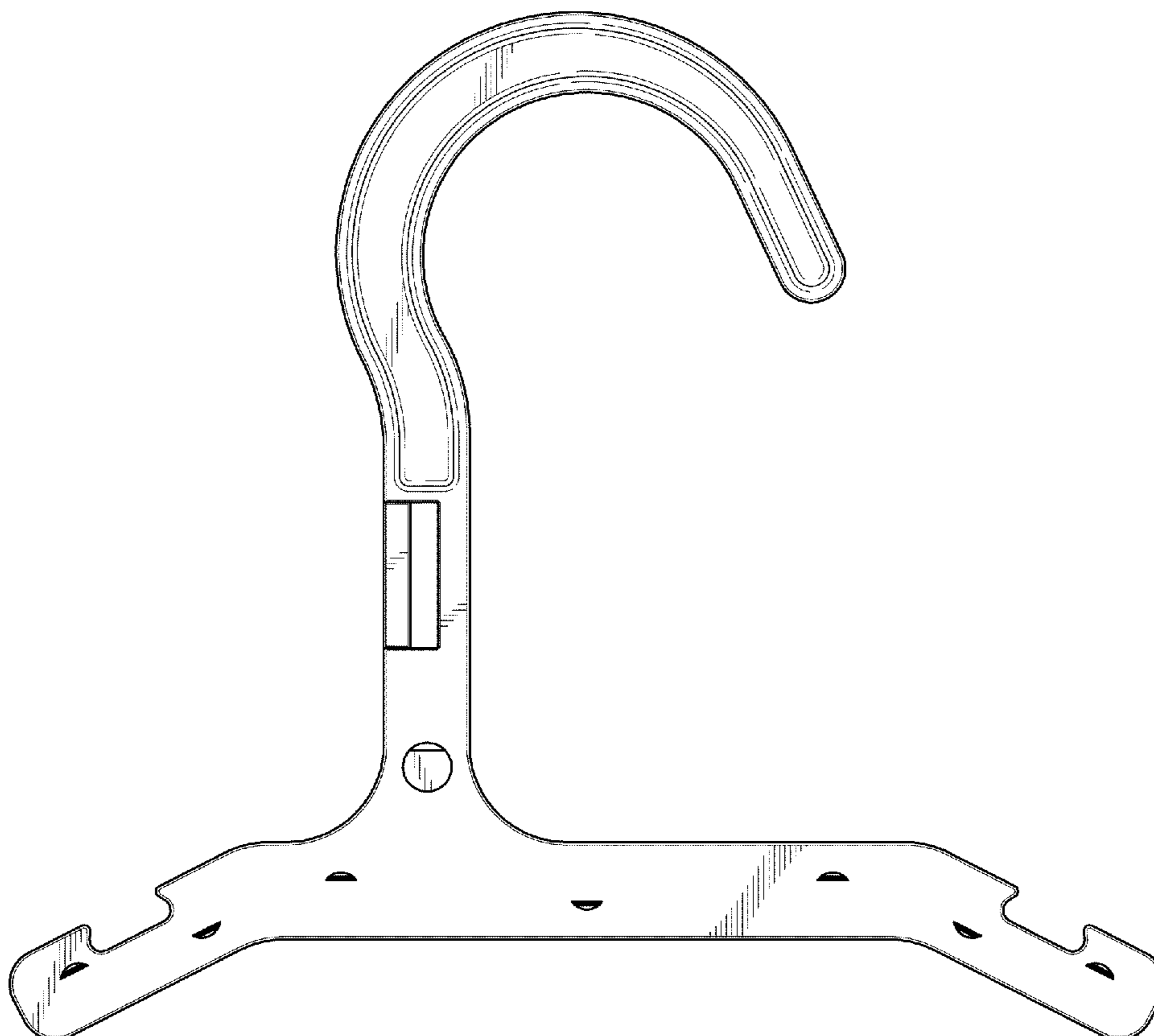


FIG. 1

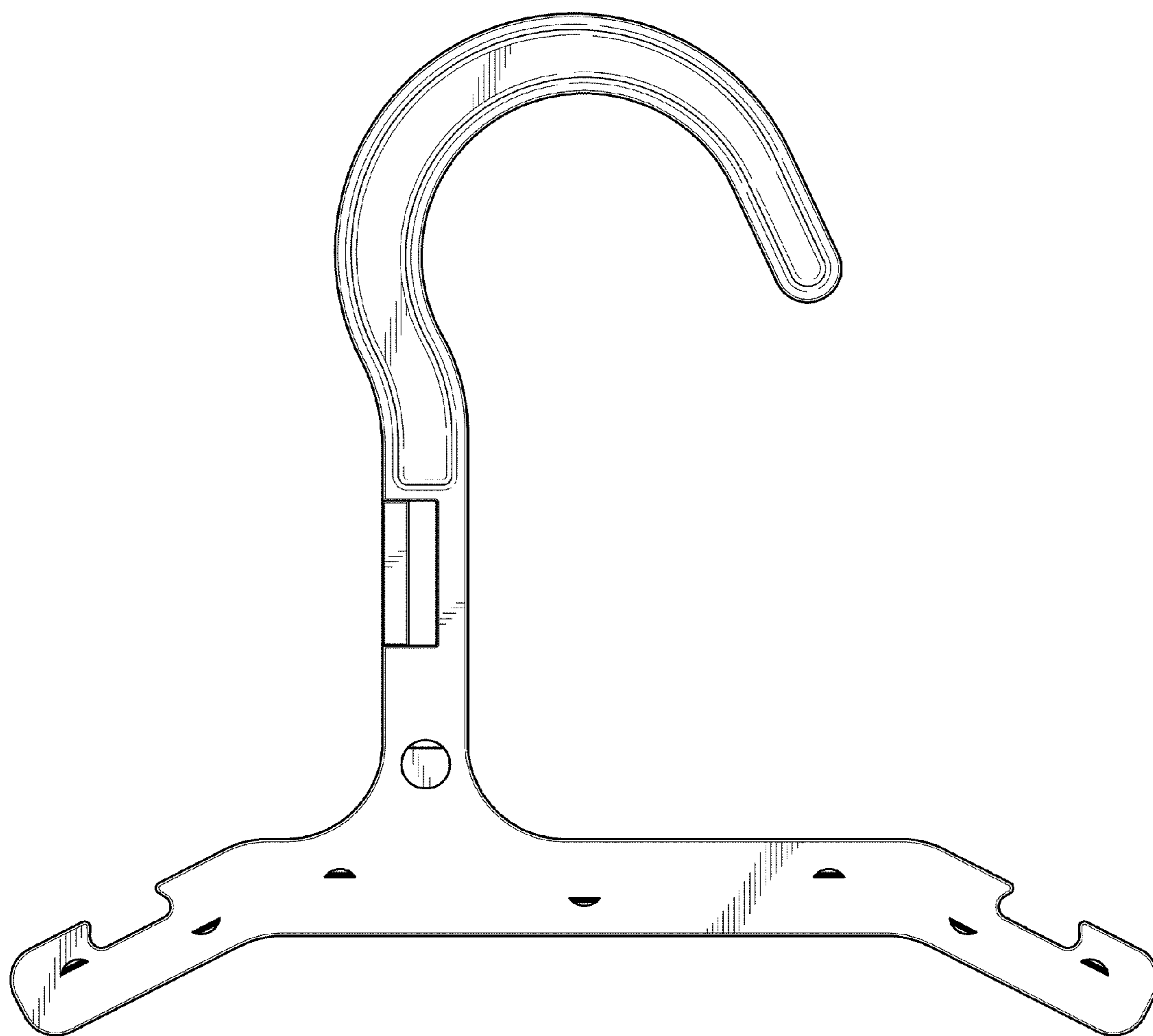


FIG. 2

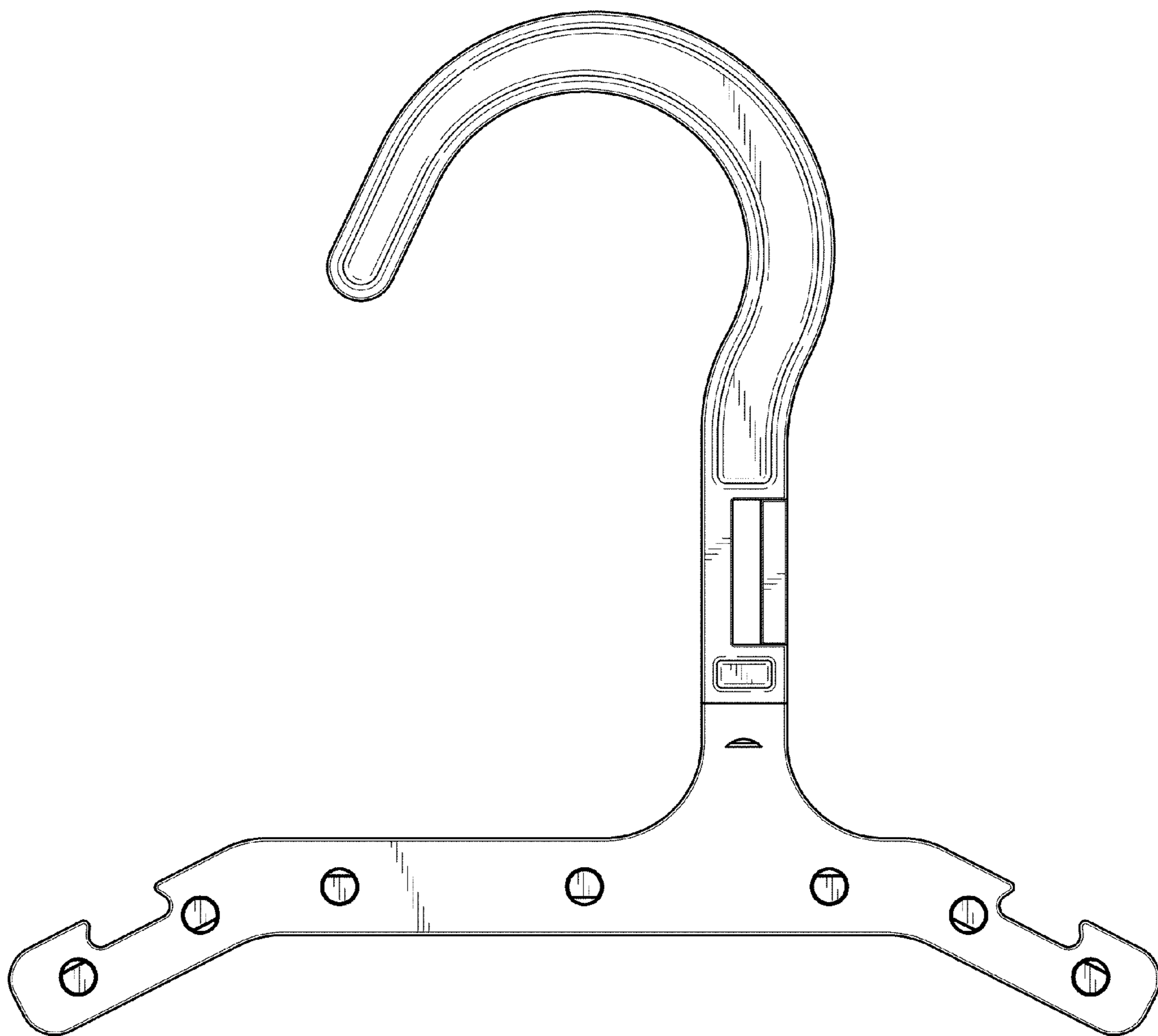


FIG. 3

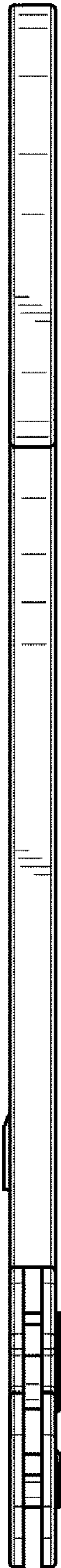


FIG. 4

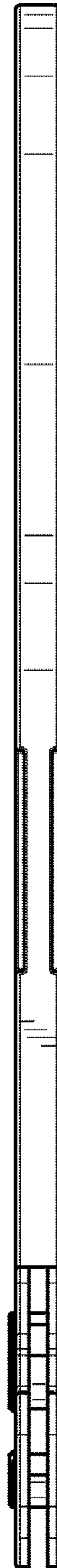


FIG. 5

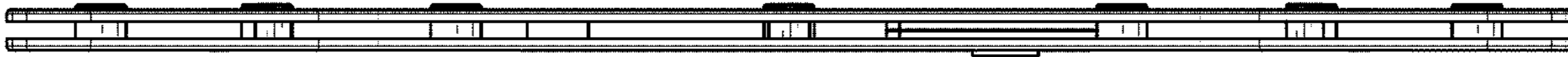


FIG. 6

