



US00D649364S

(12) **United States Design Patent**  
**Chiu**

(10) **Patent No.:** **US D649,364 S**

(45) **Date of Patent:** **\*\* Nov. 29, 2011**

(54) **DISPLAY**

(75) Inventor: **Yi-Chung Chiu**, Taoyuan County (TW)

(73) Assignee: **Hannspree, Inc.**, New Taipei (TW)

(\*\*) Term: **14 Years**

(21) Appl. No.: **29/388,382**

(22) Filed: **Mar. 29, 2011**

(51) **LOC (9) Cl.** ..... **06-04**

(52) **U.S. Cl.** ..... **D6/308; D14/371**

(58) **Field of Classification Search** ..... D6/300,  
D6/308, 304, 310, 303; D14/371, 125-129,  
D14/372, 448, 449, 450, 141.2; 24/103;  
D11/133, 140, 134; 40/700, 1.5, 124.5, 714,  
40/721, 768

See application file for complete search history.

(56) **References Cited**

**U.S. PATENT DOCUMENTS**

D119,636 S \* 3/1940 McPeak ..... D11/134  
2,938,253 A \* 5/1960 Adams ..... 24/103  
D234,856 S \* 4/1975 Frank ..... D11/133

D320,762 S \* 10/1991 Cone ..... D11/140  
D356,977 S \* 4/1995 Roethler ..... D11/133  
D405,720 S \* 2/1999 Sain ..... D11/133  
D557,629 S \* 12/2007 Maes ..... D11/133

\* cited by examiner

*Primary Examiner* — Philip S Hyder

*Assistant Examiner* — Sydney Buffalow

(74) *Attorney, Agent, or Firm* — Morris Manning & Martin  
LLP; Tim Tingkang Xia, Esq.

(57) **CLAIM**

The ornamental design for a display, as shown and described.

**DESCRIPTION**

FIG. 1 is a front perspective view of a display showing the design;

FIG. 2 is a front view thereof;

FIG. 3 is a rear view thereof;

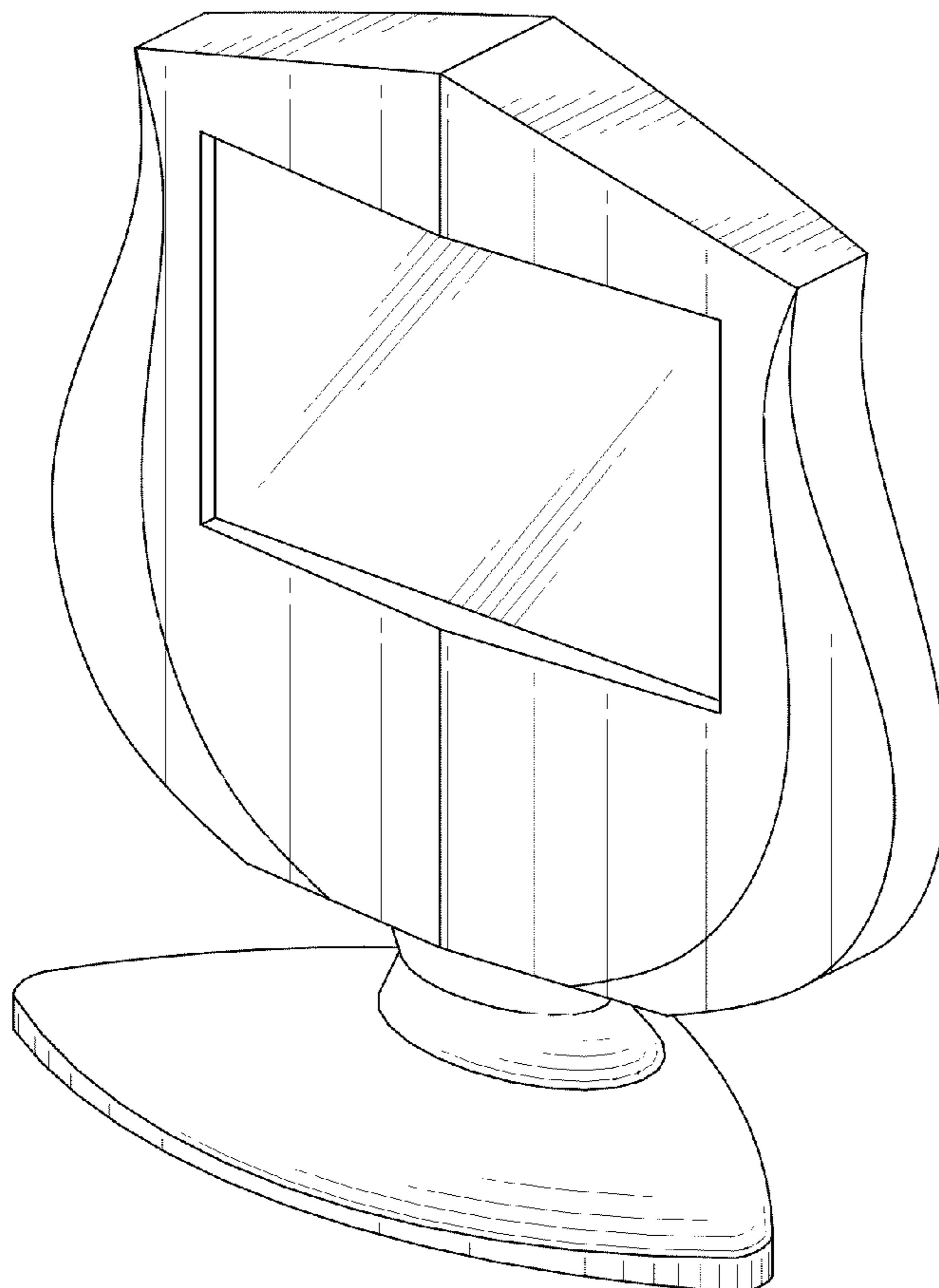
FIG. 4 is a left side view thereof;

FIG. 5 is a right side view thereof;

FIG. 6 is a top view thereof; and,

FIG. 7 is a bottom view thereof.

**1 Claim, 7 Drawing Sheets**



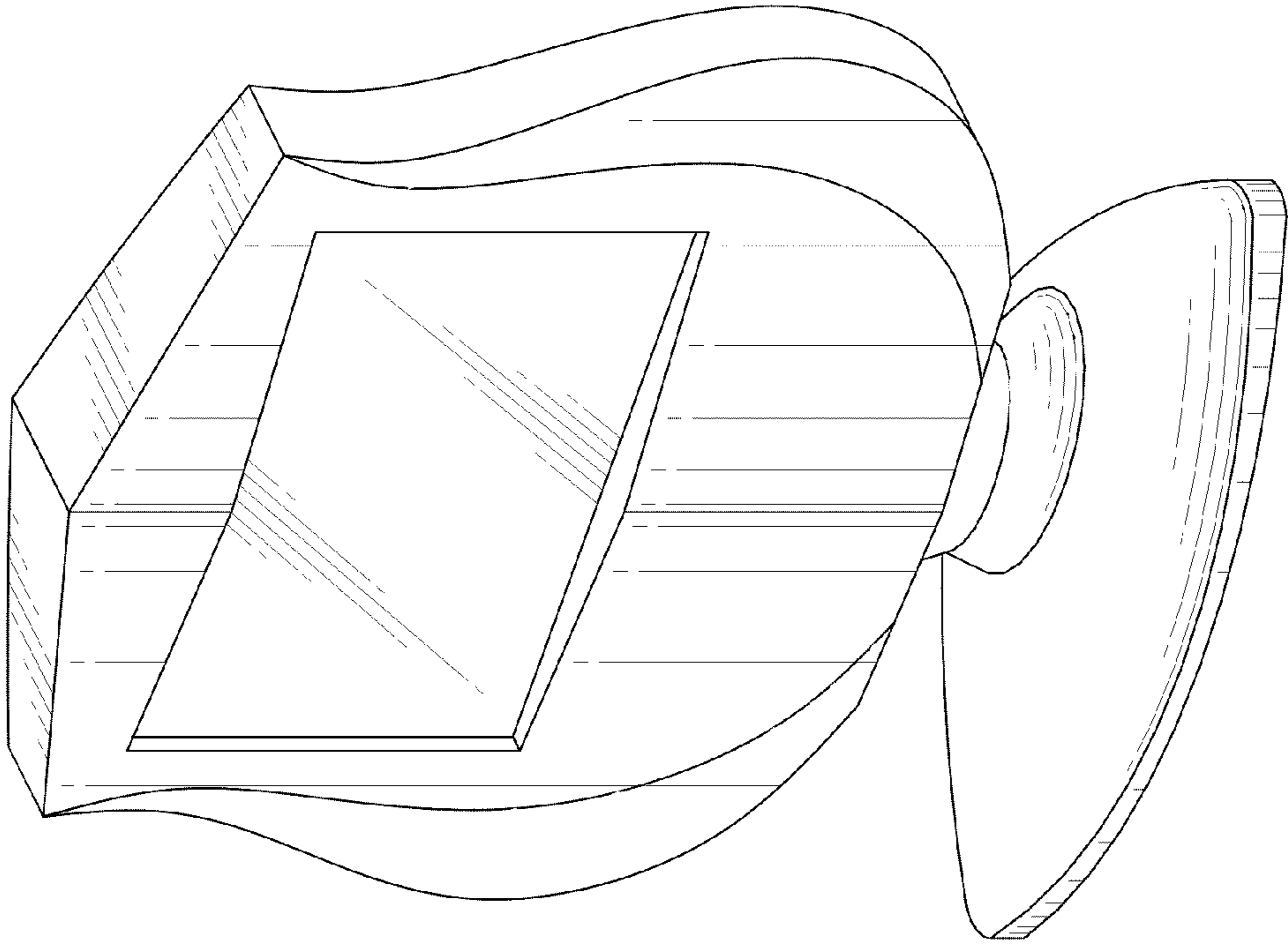


Fig. 1

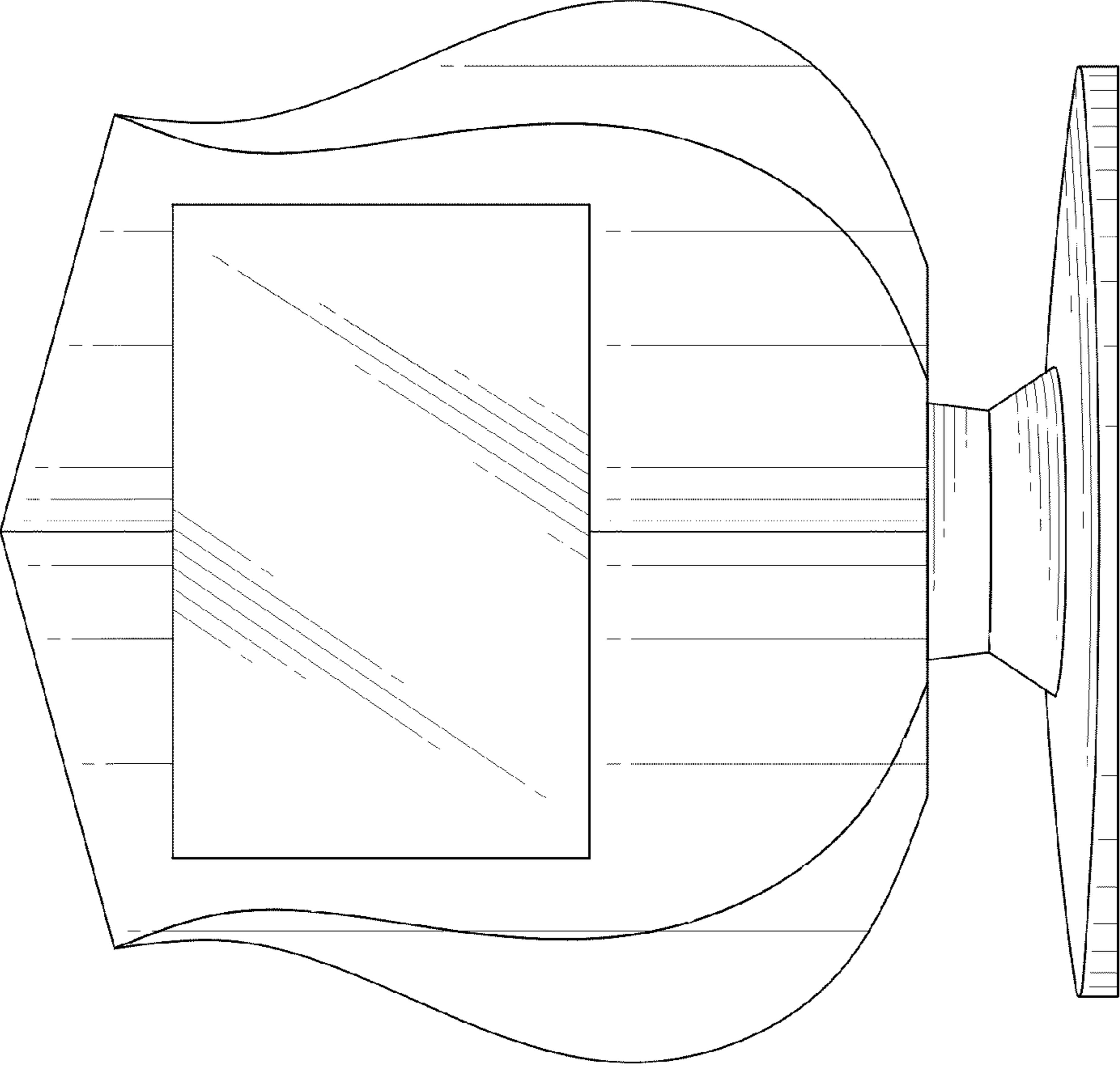


Fig. 2

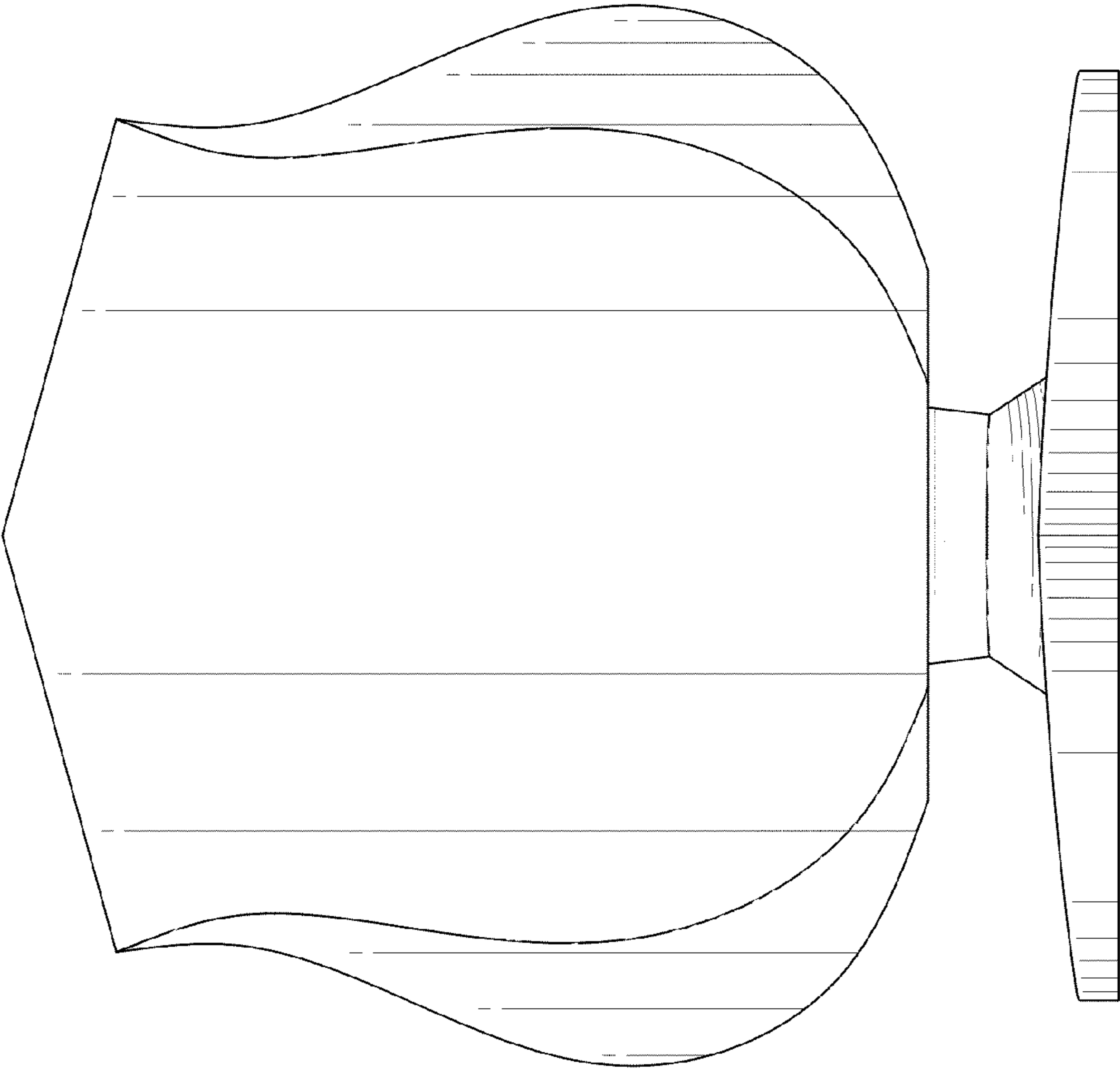


Fig. 3

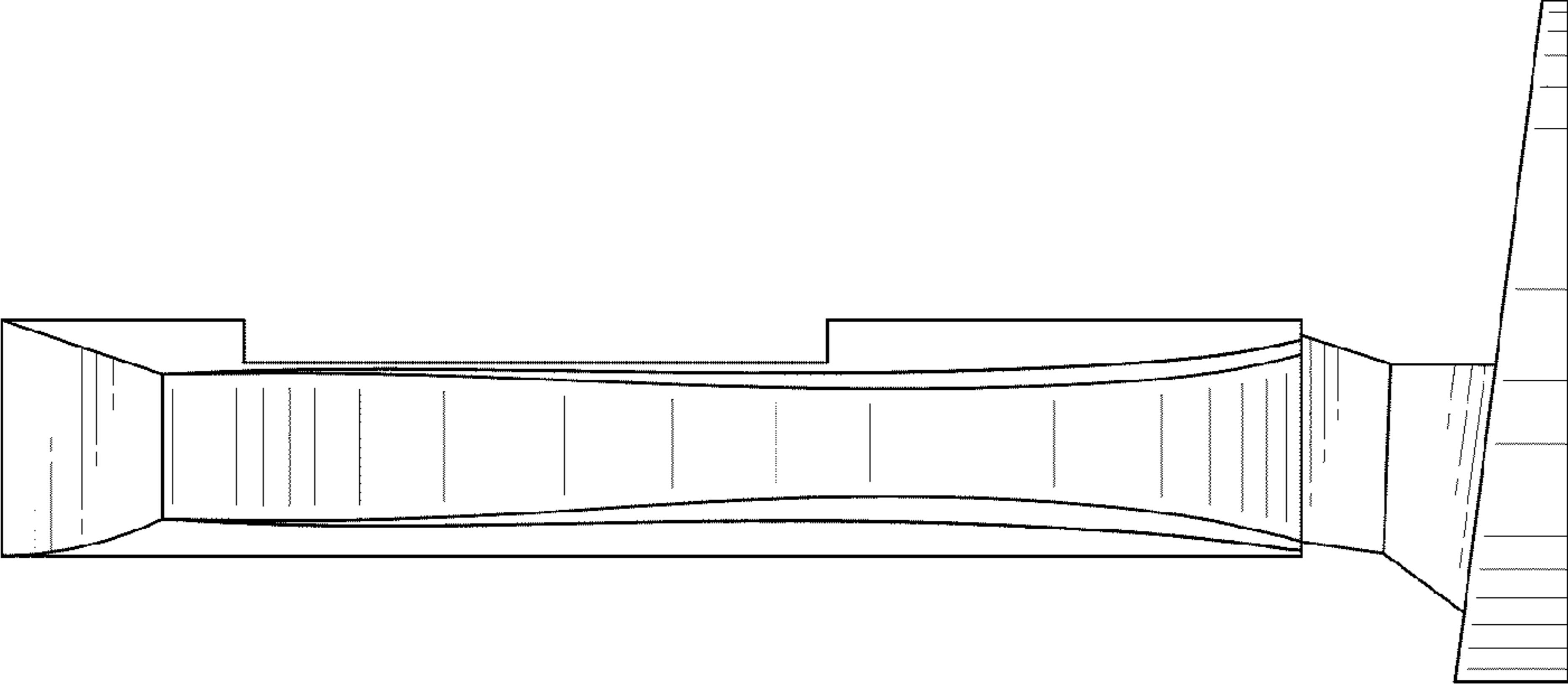


Fig. 4

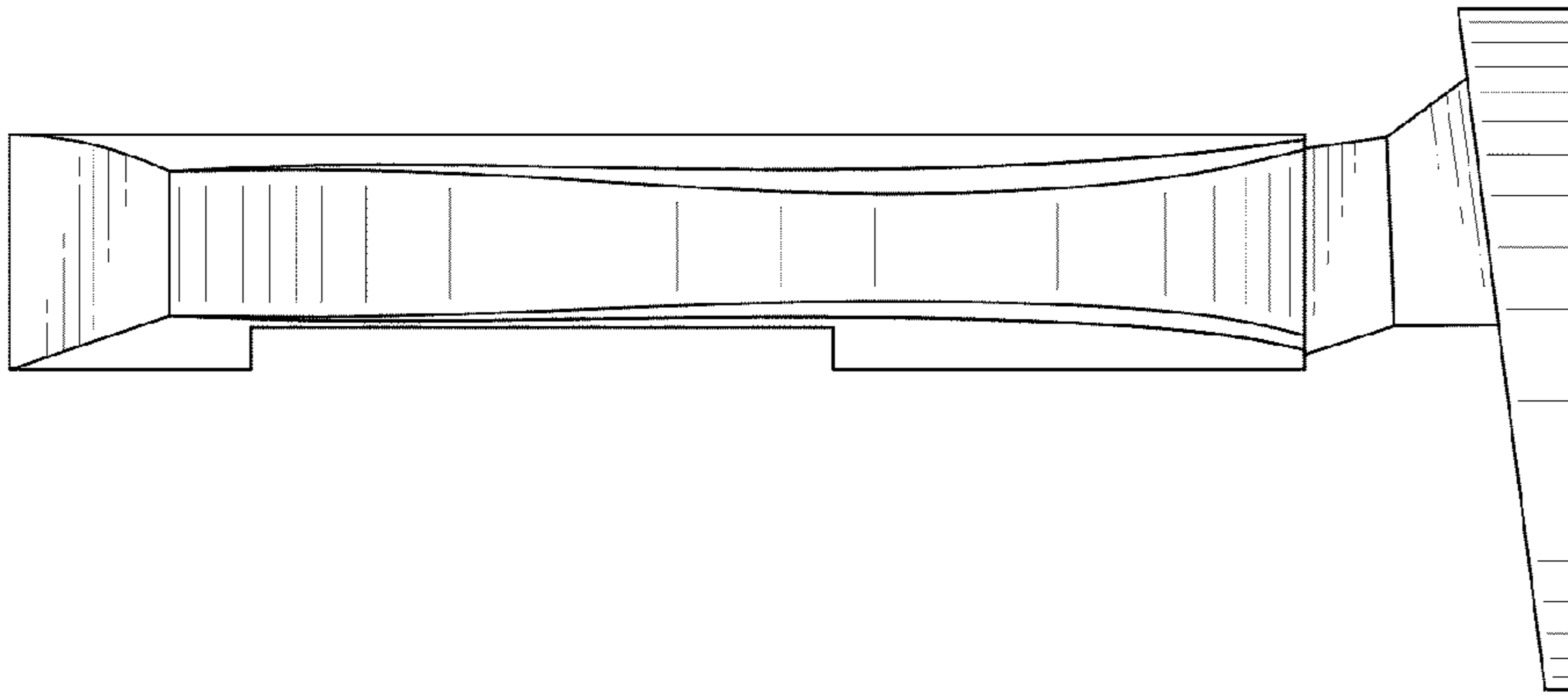


Fig. 5

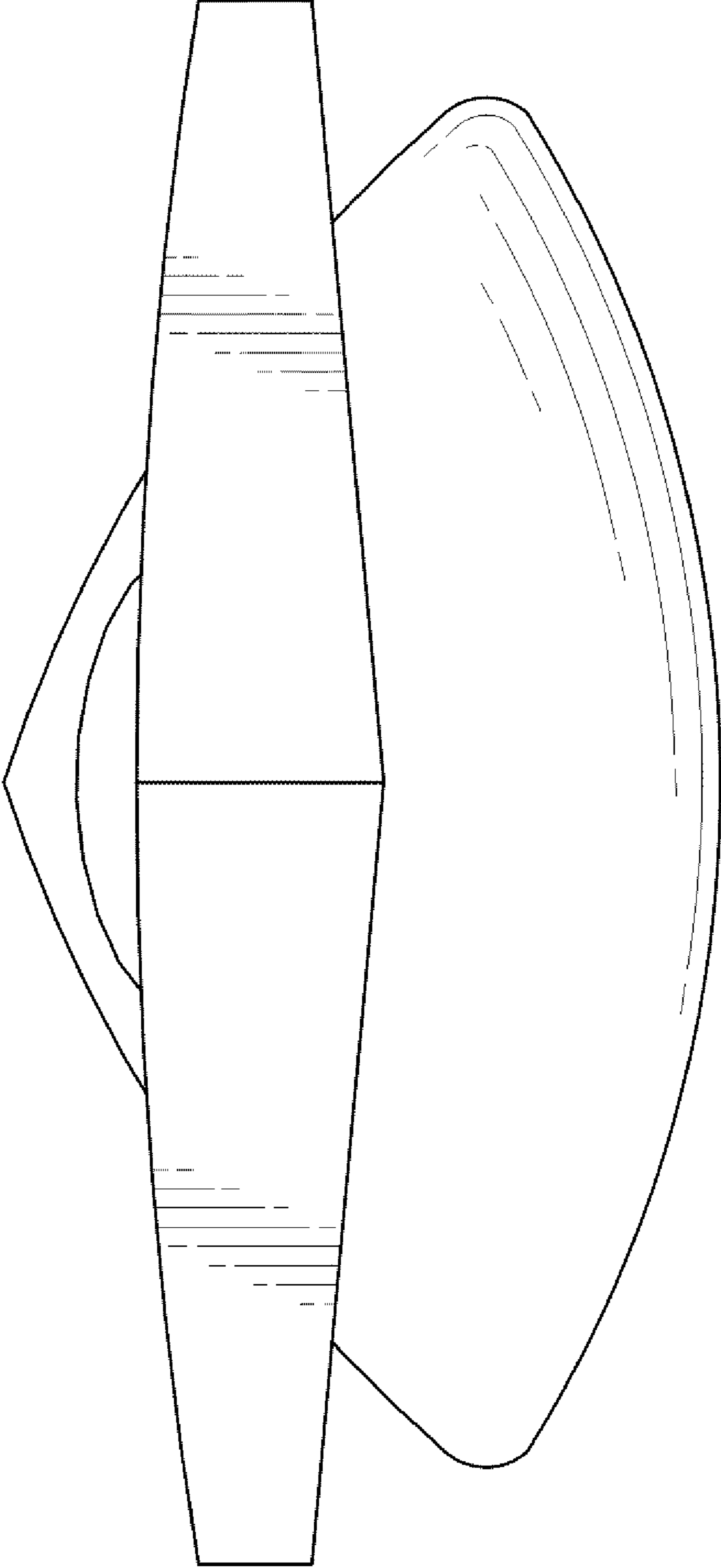


Fig. 6

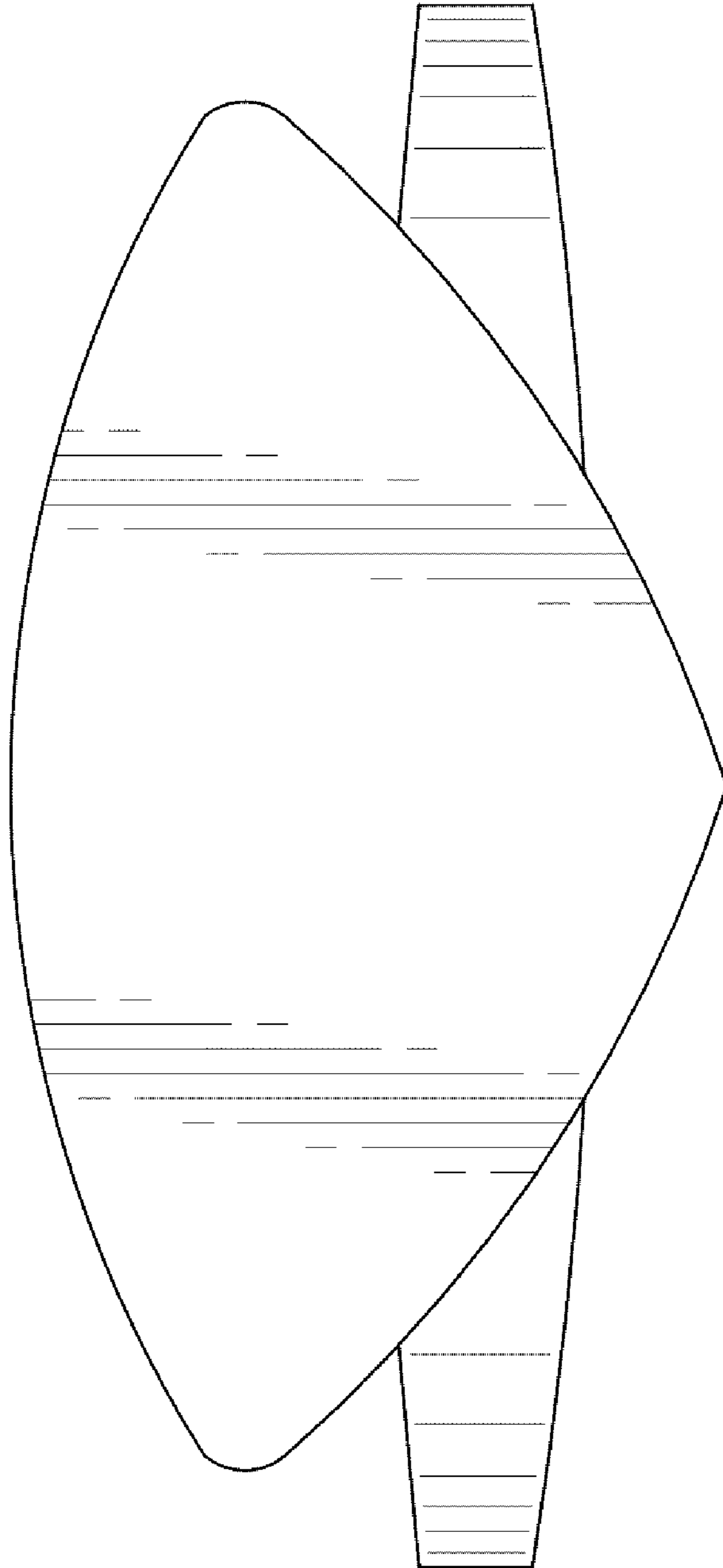


Fig. 7