



US00D649358S

(12) **United States Design Patent**
Bruno et al.

(10) **Patent No.:** **US D649,358 S**

(45) **Date of Patent:** **** Nov. 29, 2011**

(54) **POWERED PAINT APPLICATOR HANDLE**

(75) Inventors: **Robert H. Bruno**, Avon, CT (US);
Christopher C. Leatherman, New
Hartford, CT (US); **Philip J. Nathan**,
West Hartford, CT (US)

(73) Assignee: **Wagner Spray Tech Corporation**,
Plymouth, MN (US)

(**) Term: **14 Years**

(21) Appl. No.: **29/330,434**

(22) Filed: **Jan. 7, 2009**

(51) **LOC (9) Cl.** **04-02**

(52) **U.S. Cl.** **D4/100**

(58) **Field of Classification Search** D4/100,
D4/114, 127, 132, 134, 138; D28/7, 63;
D32/45, 51; 15/143.1, 159.1, 160, 186, 187;
601/136-138, 154, 160; 401/6, 136, 137,
401/187, 188 R, 189, 190, 268, 270, 274,
401/278, 279, 282, 291

See application file for complete search history.

(56) **References Cited**

U.S. PATENT DOCUMENTS

4,997,302	A *	3/1991	Simonette	401/170
5,186,392	A *	2/1993	Pleshek	239/532
5,975,782	A *	11/1999	Lee	401/144
D417,552	S *	12/1999	Snetting et al.	D4/138
6,257,786	B1 *	7/2001	Thomas	401/43
6,726,389	B1 *	4/2004	Lee	401/197
7,682,098	B2 *	3/2010	Sandahl et al.	401/170
7,740,193	B2 *	6/2010	Soller et al.	239/525

* cited by examiner

Primary Examiner — Cathron Brooks

Assistant Examiner — Barbara Fox

(74) *Attorney, Agent, or Firm* — Faegre & Benson LLP

(57) **CLAIM**

The ornamental design for a powered paint applicator handle,
as shown and described.

DESCRIPTION

FIG. 1 is perspective view of a powered paint applicator handle of the present invention with a roller applicator mounted thereon and shown in broken lines.

FIG. 2 is an enlarged view of a first portion of FIG. 1.

FIG. 3 is an enlarged view of a second portion of FIG. 1.

FIG. 4 is a left side elevation view of the present invention.

FIG. 5 is an enlarged view of a first portion of FIG. 4.

FIG. 6 is an enlarged view of a second portion of FIG. 4.

FIG. 7 is a right side elevation view of the present invention.

FIG. 8 is an enlarged view of a first portion of FIG. 7.

FIG. 9 is an enlarged view of a second portion of FIG. 7.

FIG. 10 is a top plan view of the present invention.

FIG. 11 is an enlarged view of a first portion of FIG. 10.

FIG. 12 is an enlarged view of a second portion of FIG. 10.

FIG. 13 is a bottom plan view of the present invention.

FIG. 14 is an enlarged view of a first portion of FIG. 13.

FIG. 15 is an enlarged view of a second portion of FIG. 13.

FIG. 16 is a first end view of the present invention.

FIG. 17 is a second end view of the present invention.

FIG. 18 is a perspective view from above and to the left and rear of the present invention with parts shown in an extended condition.

FIG. 19 is an enlarged view of a first portion of FIG. 18.

FIG. 20 is an enlarged view of a second portion of FIG. 18.

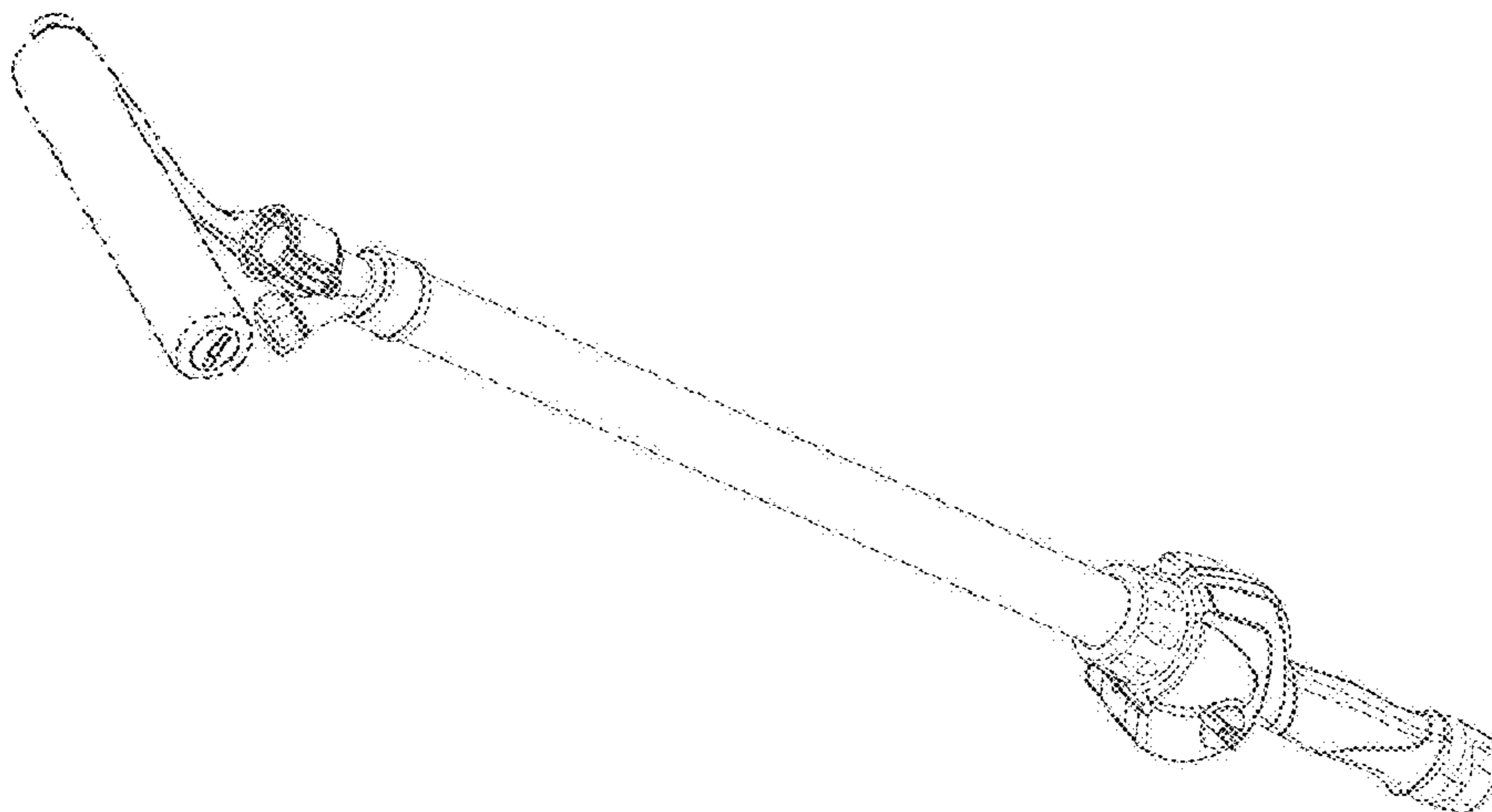
FIG. 21 is a perspective view from below and to the right and front of the present invention with parts shown in the same extended condition as in FIG. 18.

FIG. 22 is an enlarged view of a first portion of FIG. 21; and,

FIG. 23 is an enlarged view of a second portion of FIG. 21.

The parts shown in broken lines in FIG. 1 are to illustrate a roller applicator and form no part of the present invention.

1 Claim, 16 Drawing Sheets



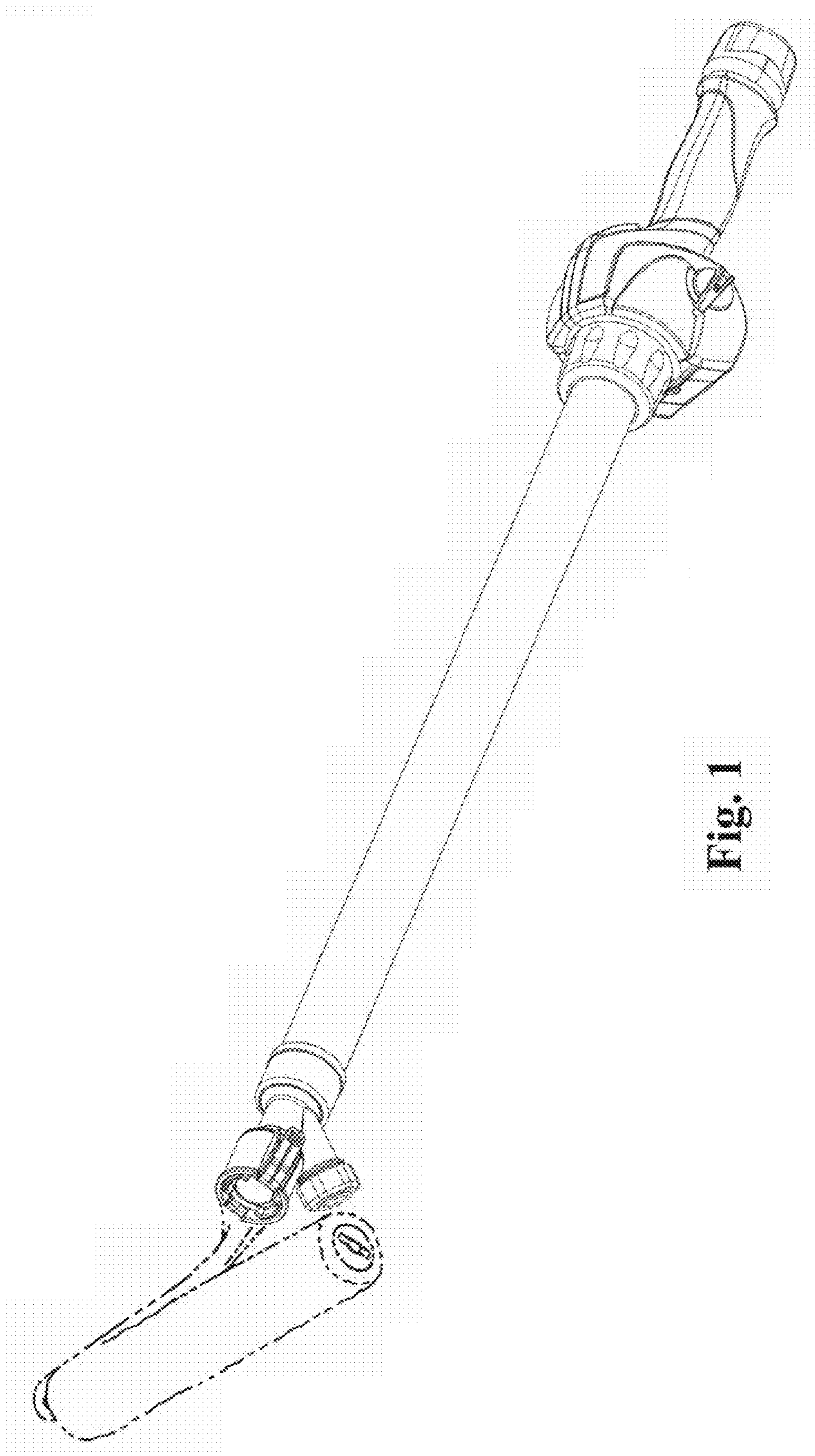


Fig. 1

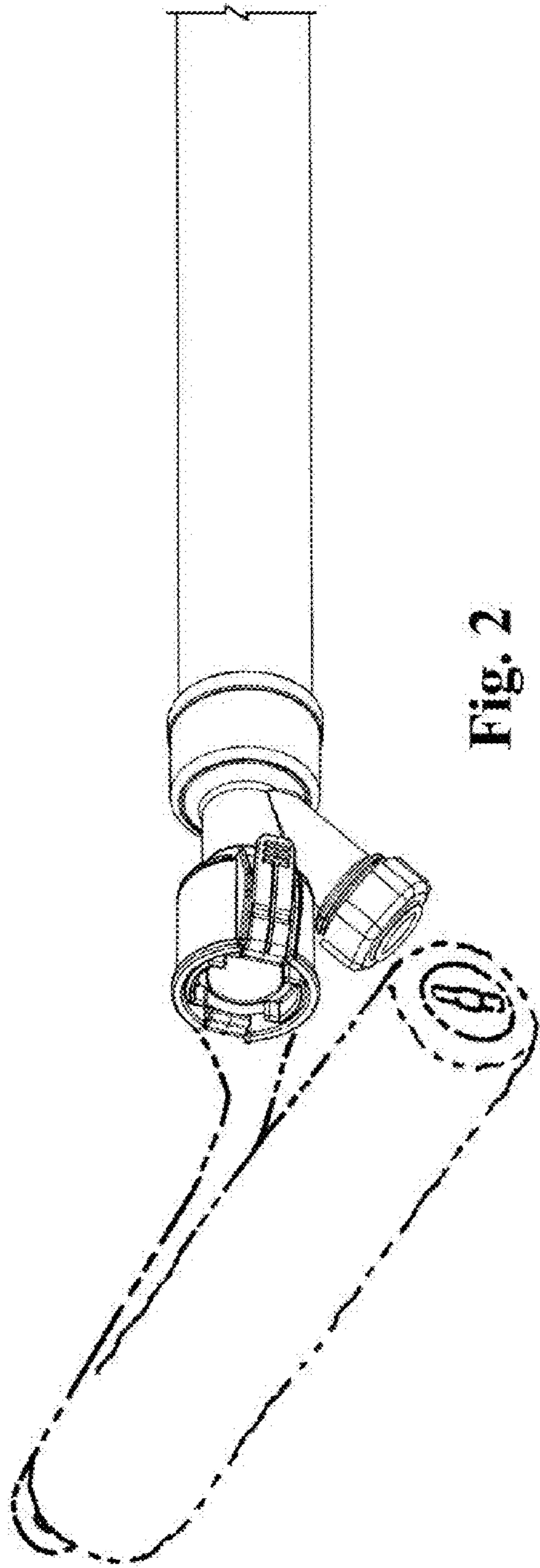


Fig. 2

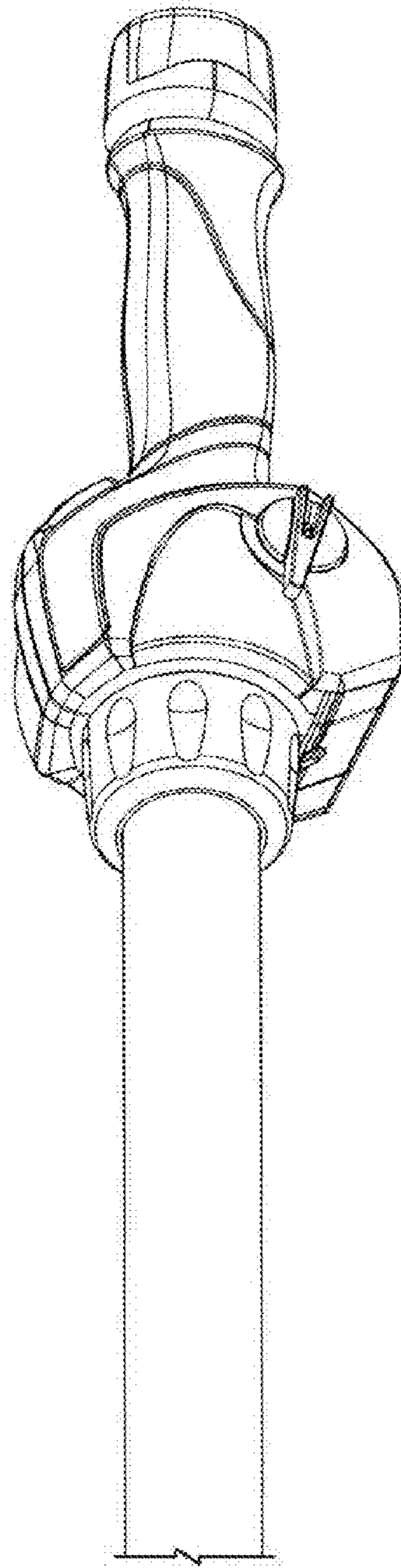


Fig. 3

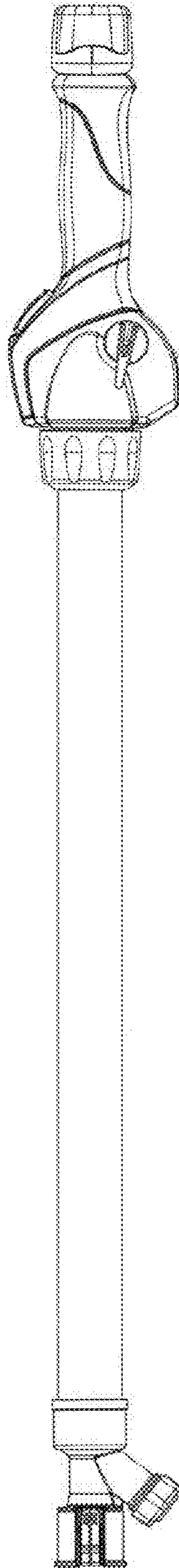


Fig. 4

Fig. 5

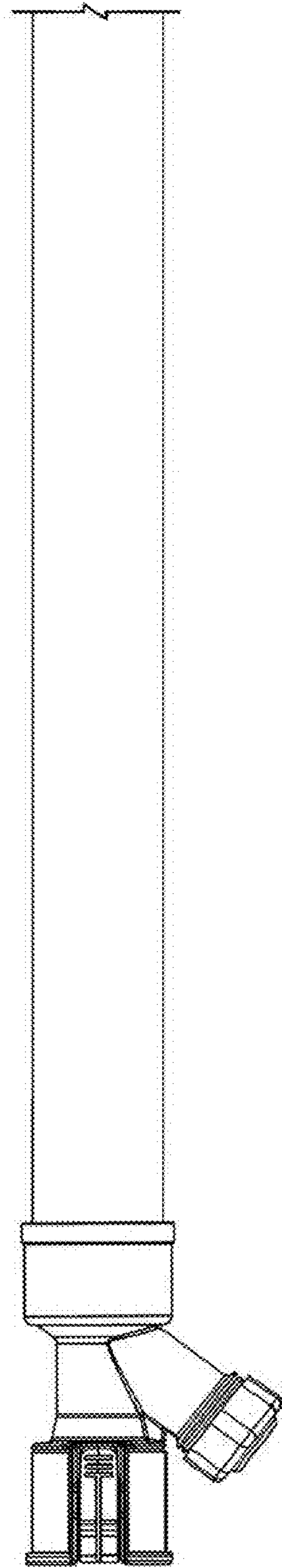
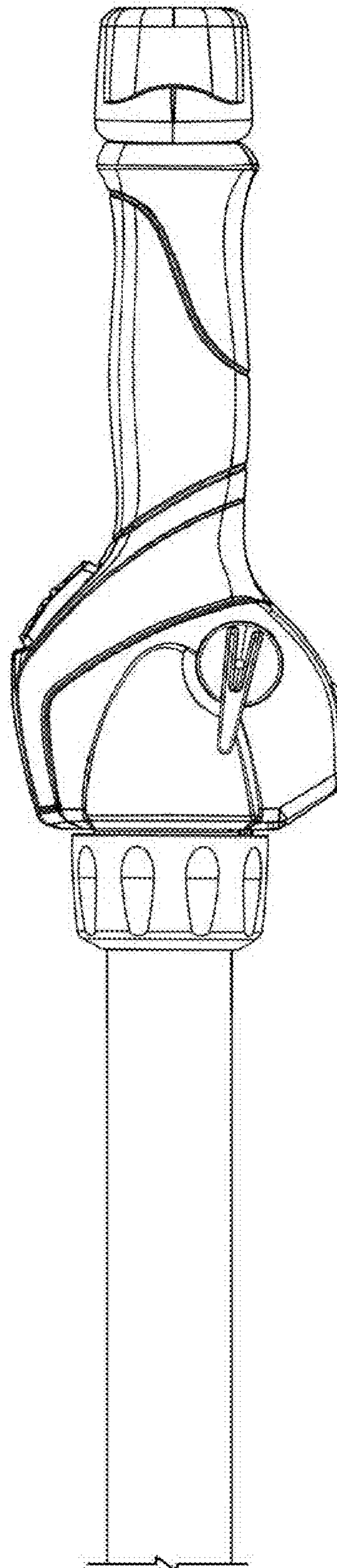


Fig. 6



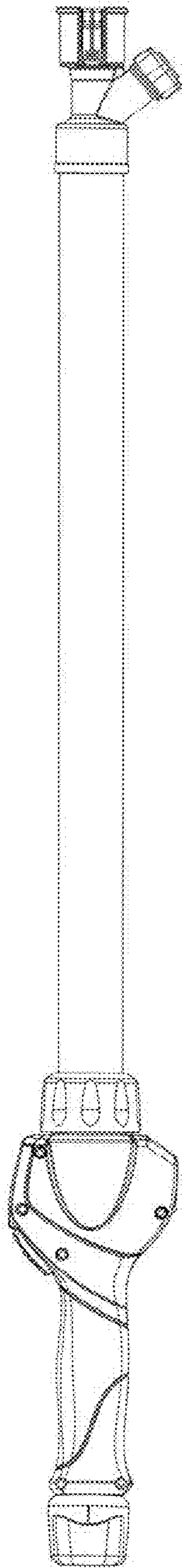


Fig. 7

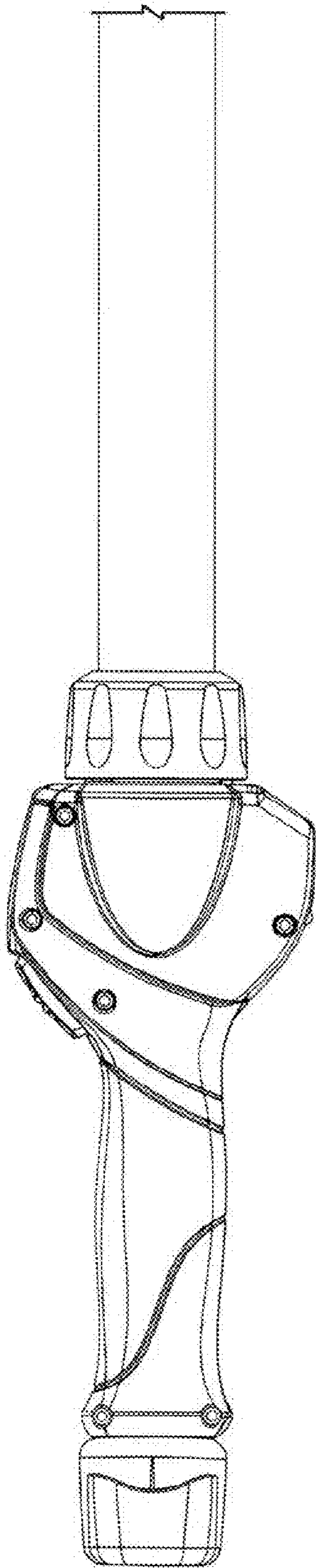


Fig. 8

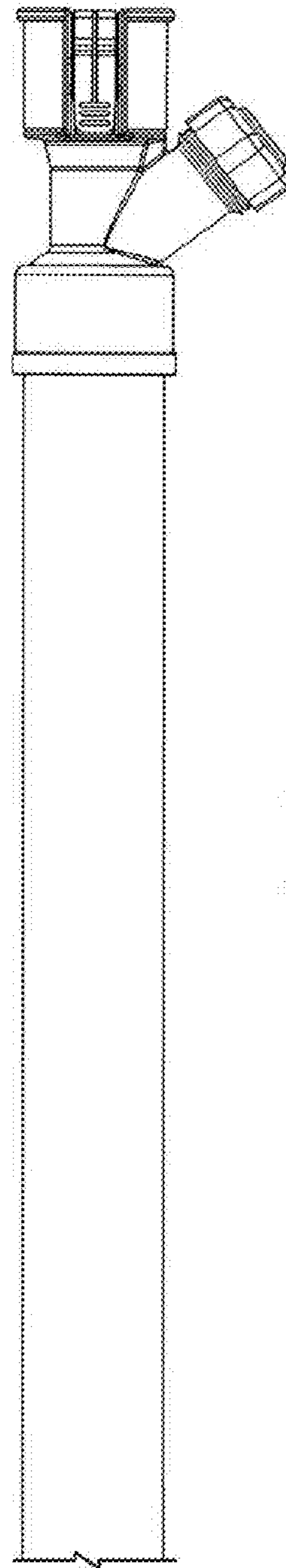


Fig. 9

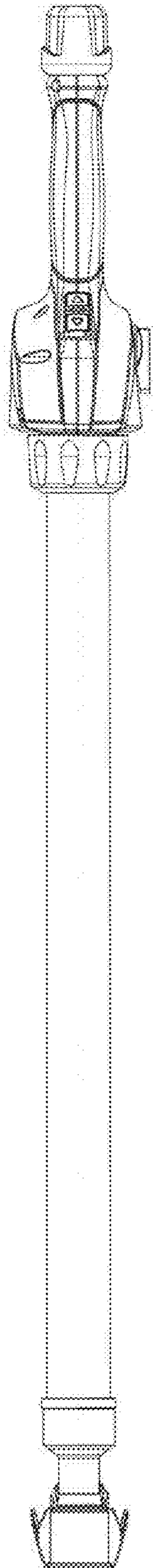


Fig. 10

Fig. 11

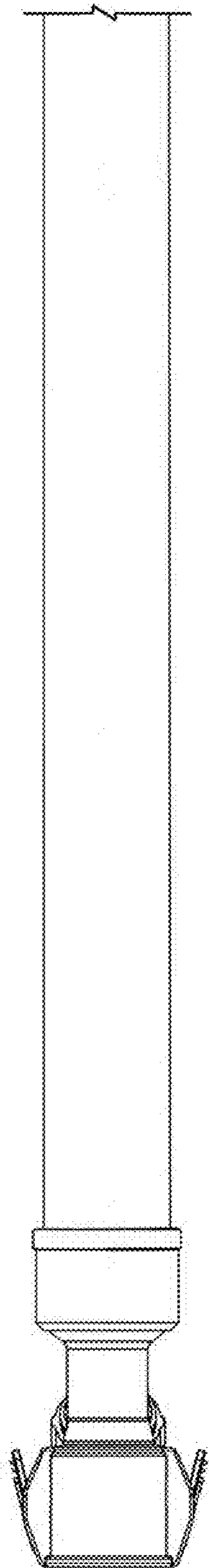
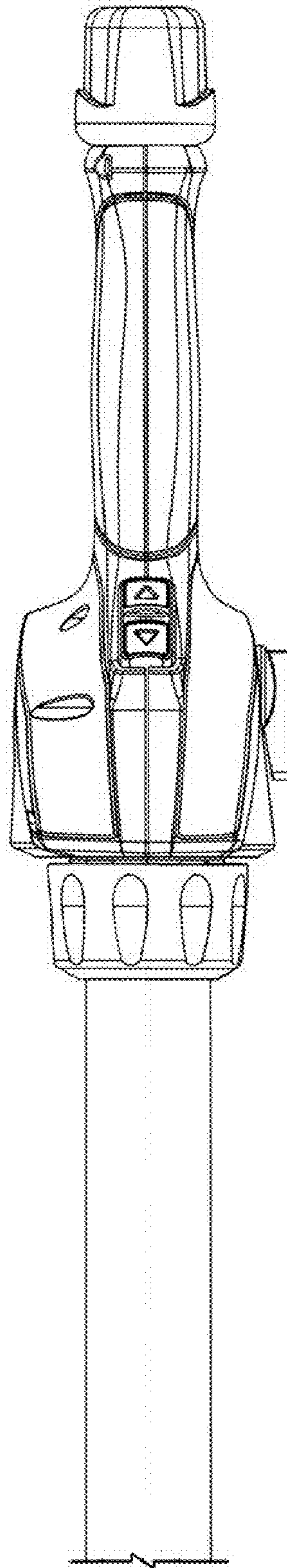


Fig. 12



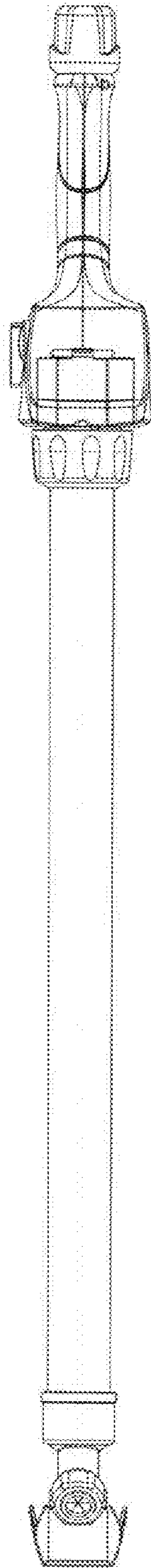


Fig. 13

Fig. 14

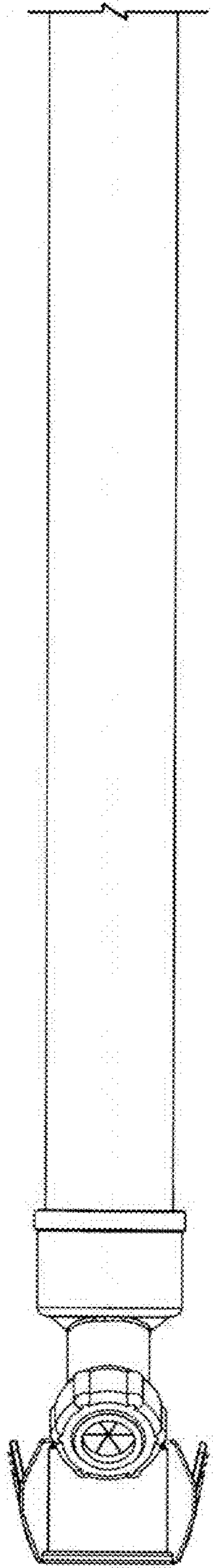
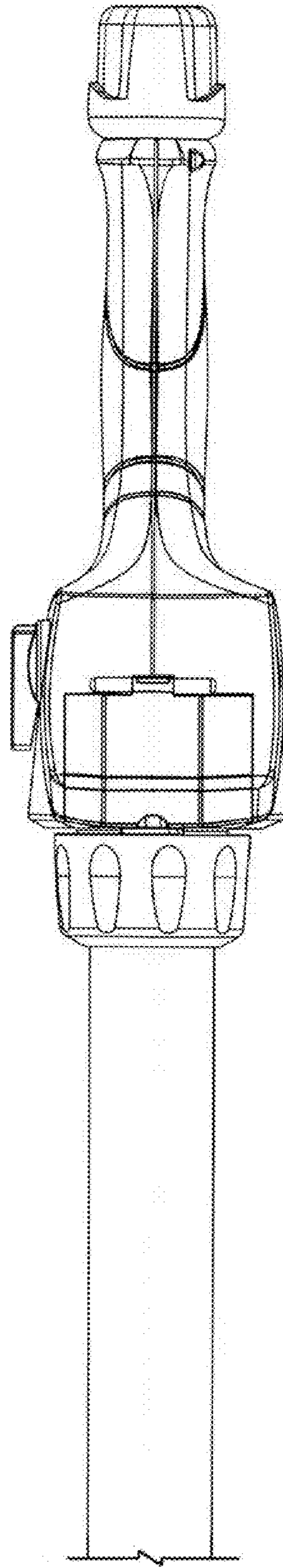


Fig. 15



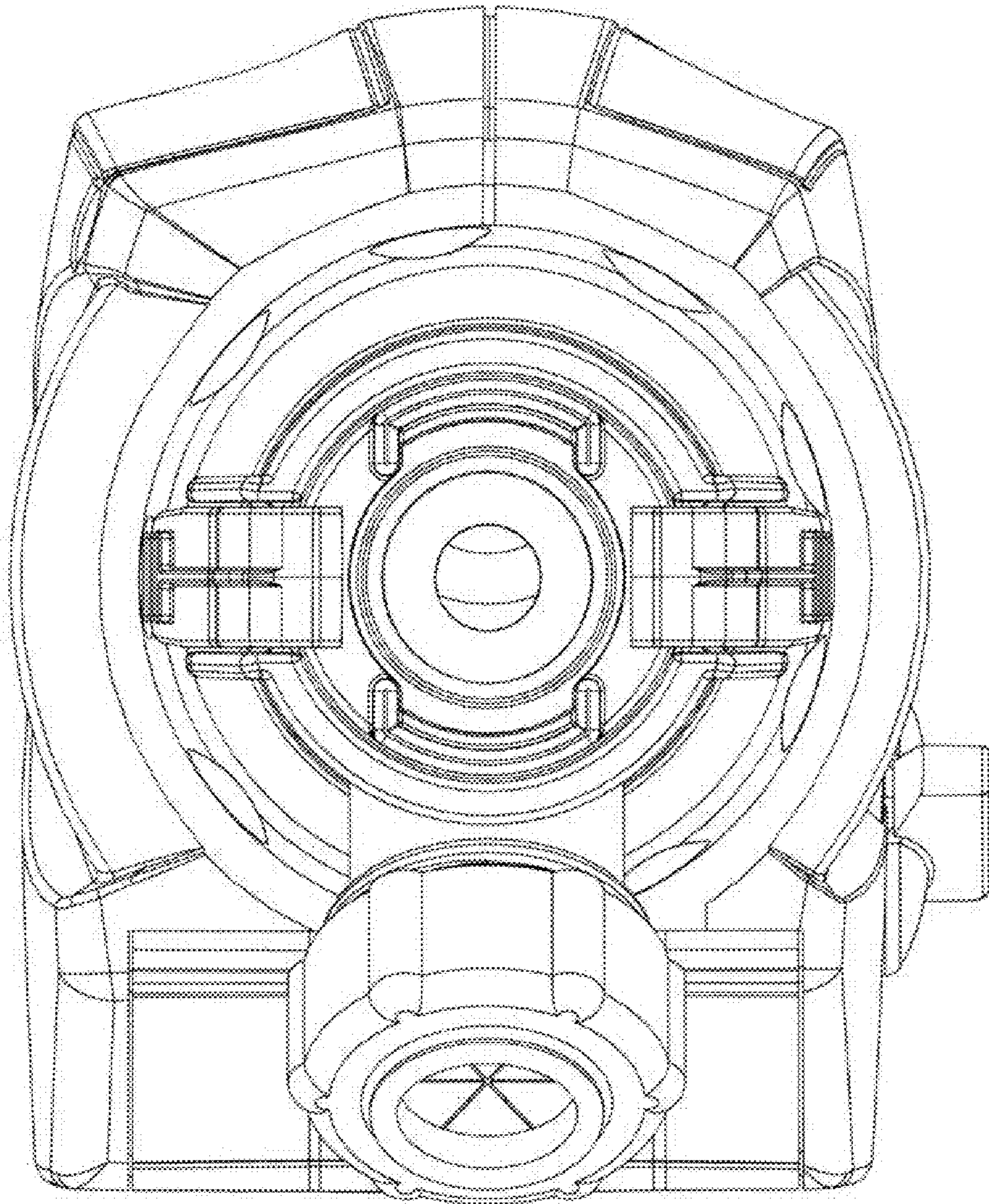


Fig. 16

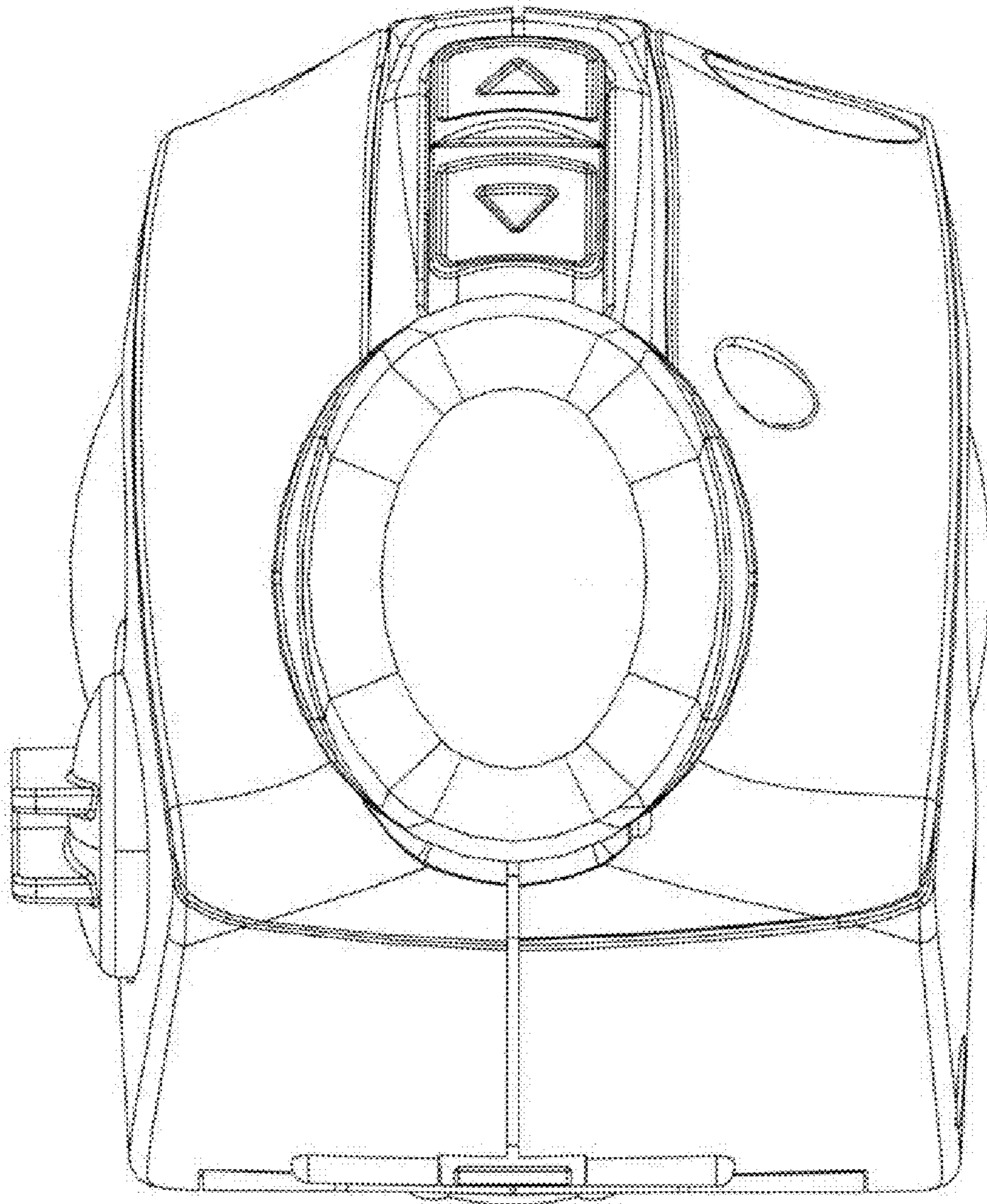


Fig. 17

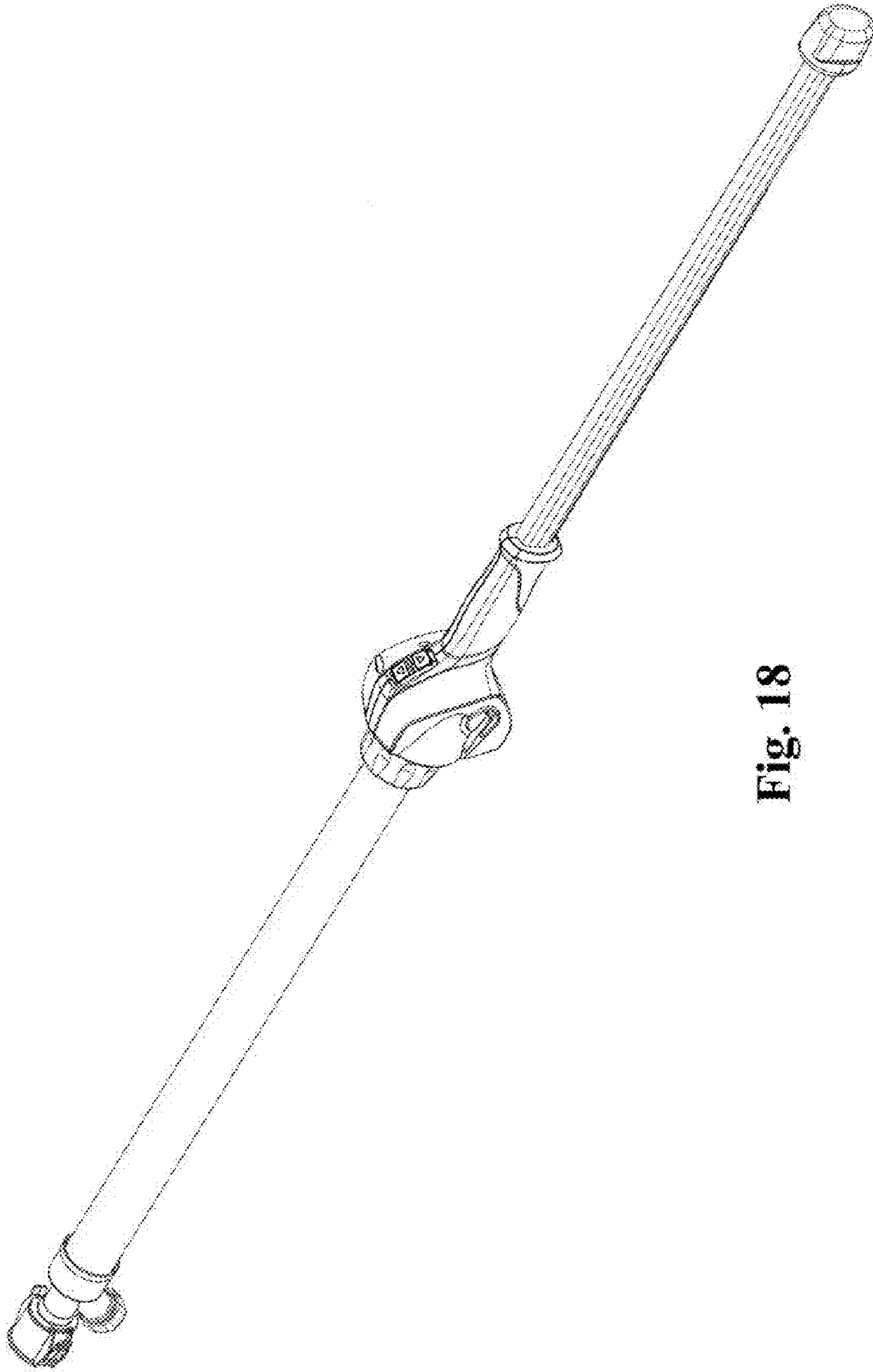


Fig. 18

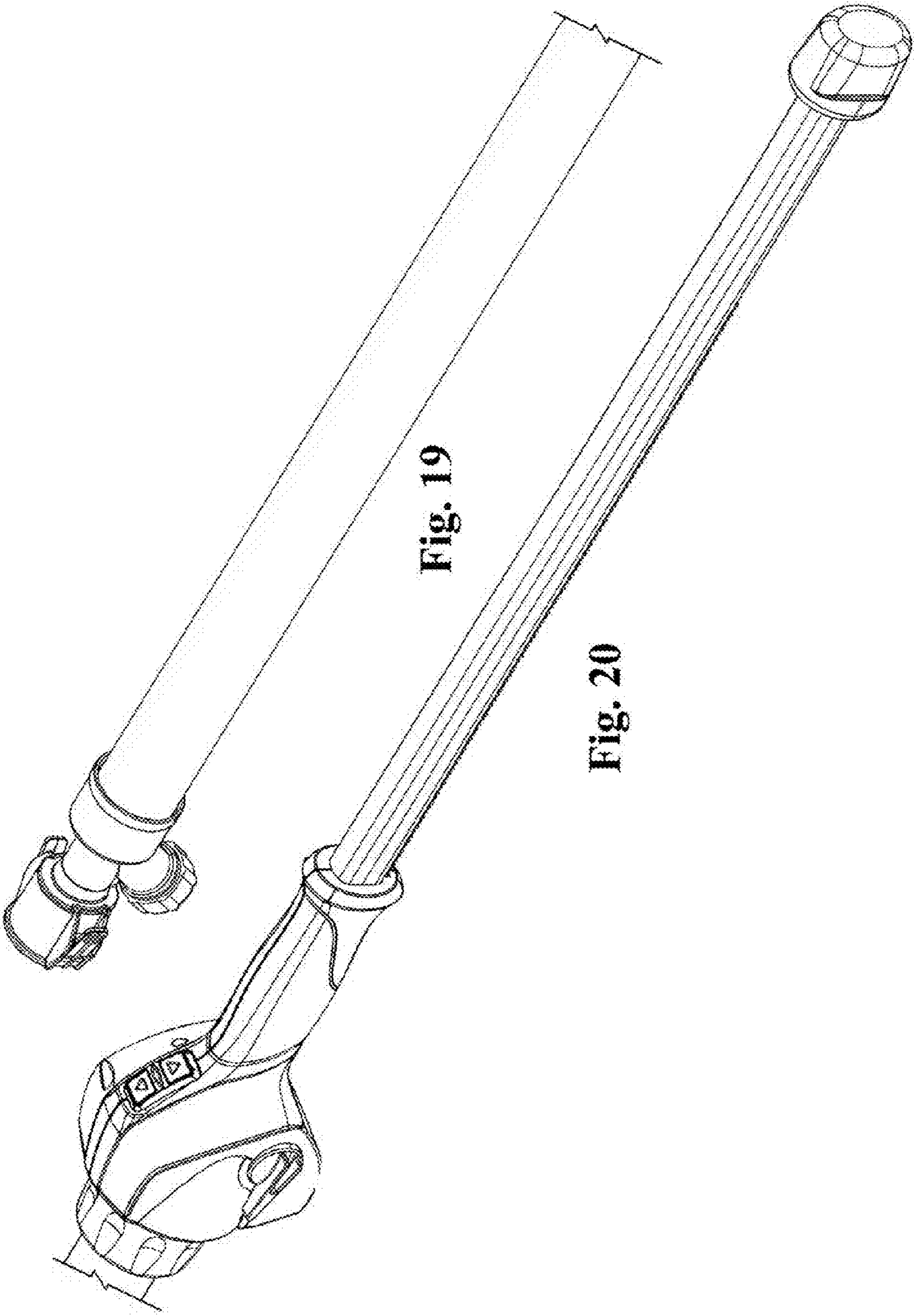


Fig. 19

Fig. 20

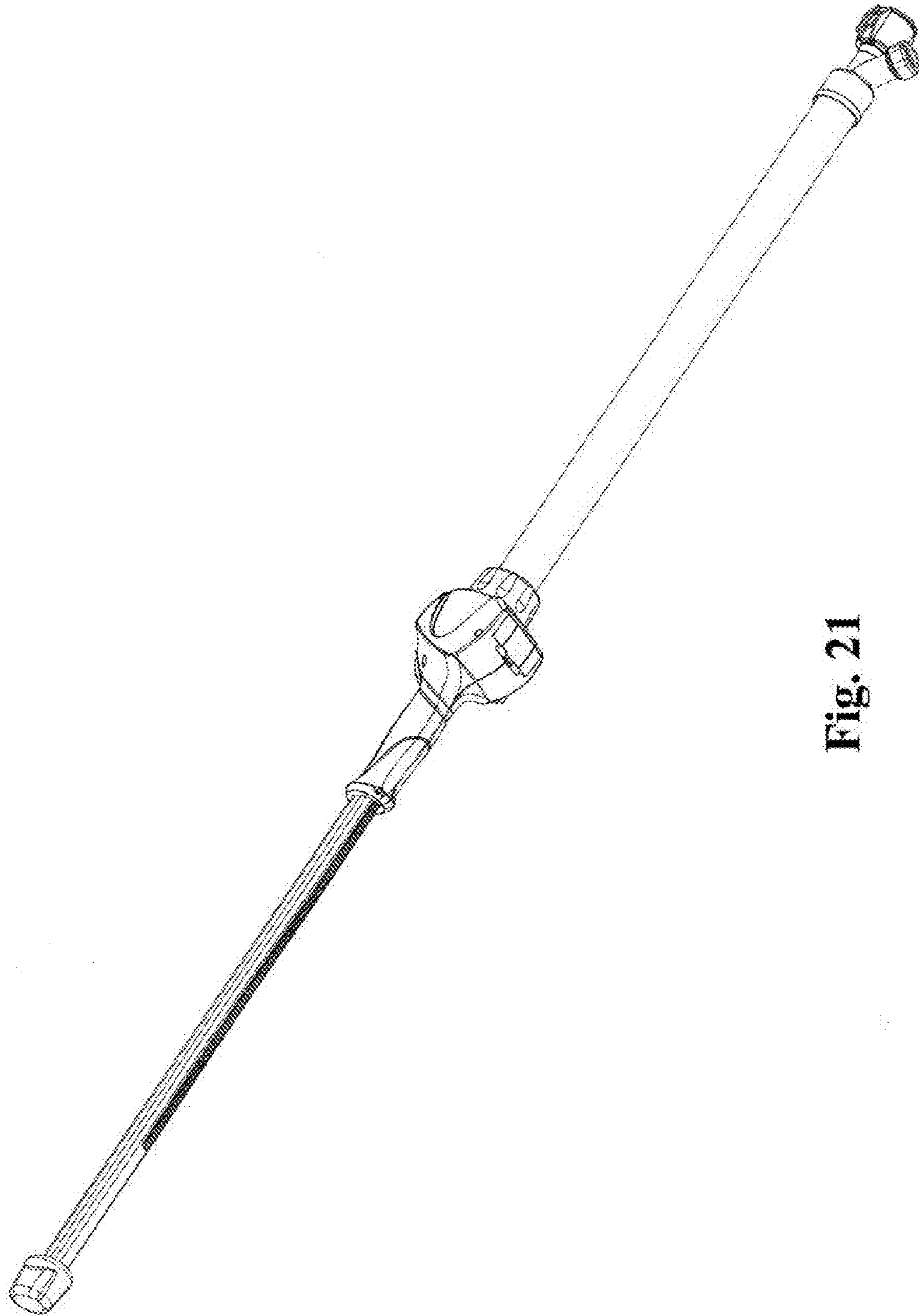


Fig. 21

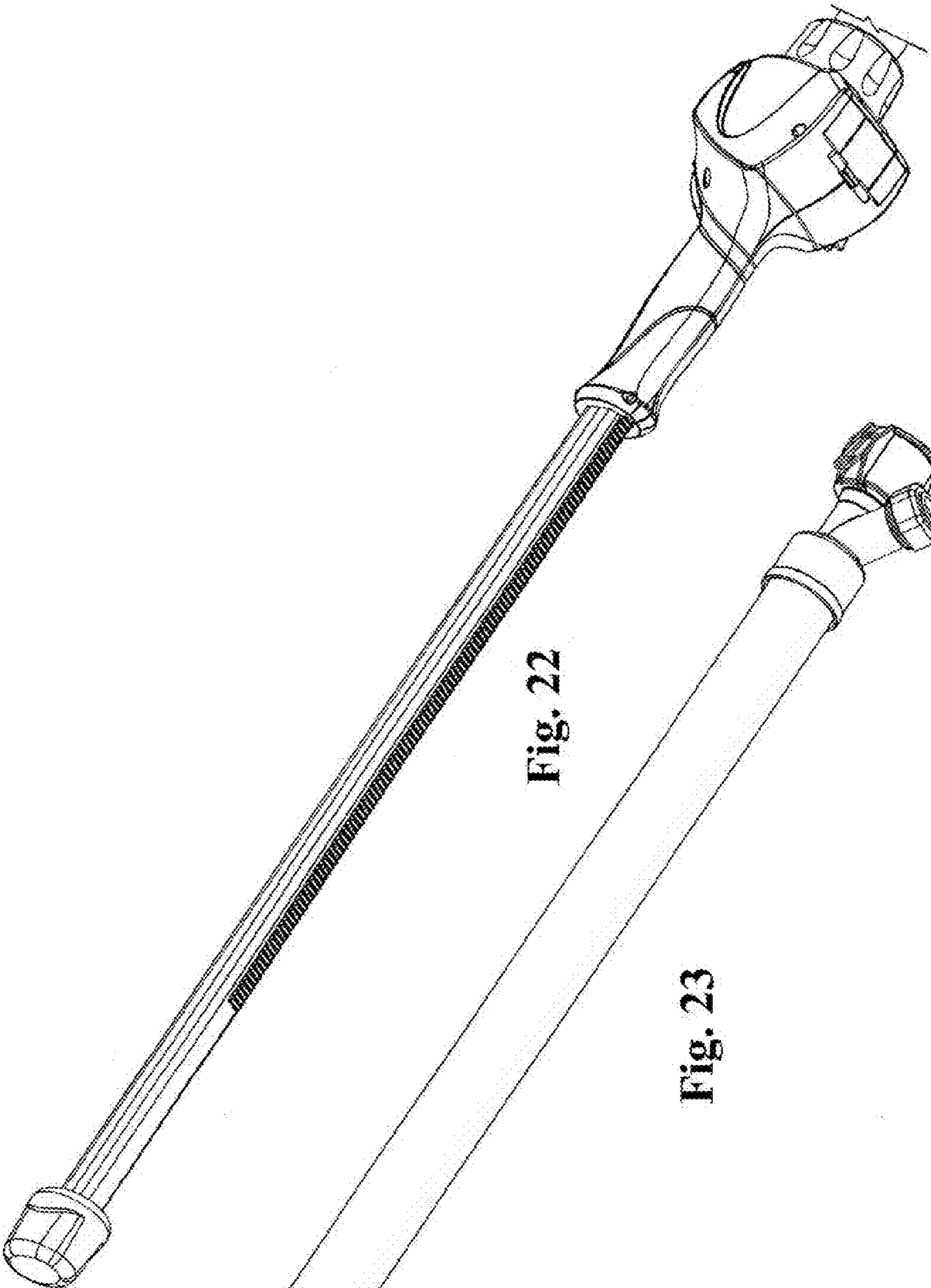


Fig. 22

Fig. 23