



US00D649357S

(12) **United States Design Patent**
Batista et al.

(10) **Patent No.:** **US D649,357 S**

(45) **Date of Patent:** **** Nov. 29, 2011**

(54) **GOLF BAG TOP AND HANDLE**

(75) Inventors: **Catherine Batista**, Del Mar, CA (US);
Alfredo Marquez, Oceanside, CA (US);
Yasu Oba, Carlsbad, CA (US); **Mark Noyes**, Rancho Santa Margarita, CA (US)

(73) Assignee: **Callaway Golf Company**, Carlsbad, CA (US)

(**) Term: **14 Years**

(21) Appl. No.: **29/381,436**

(22) Filed: **Dec. 20, 2010**

(51) **LOC (9) Cl.** **03-99**

(52) **U.S. Cl.** **D3/328.1**

(58) **Field of Classification Search** D3/318-321,
D3/328, 328.1, 255; 150/159, 160;
266/315.2-315.8, 315.11; 280/DIG. 6; 473/287;
211/70.2

See application file for complete search history.

(56) **References Cited**

U.S. PATENT DOCUMENTS

5,725,095	A *	3/1998	Beck et al.	206/315.8
D491,726	S *	6/2004	Ortega	D3/318
D517,808	S *	3/2006	Reimers et al.	D3/320
7,124,887	B2 *	10/2006	Reimers	206/315.3
7,686,163	B2 *	3/2010	Chang	206/315.6

2004/0178093	A1 *	9/2004	Reimers	206/315.3
2004/0178094	A1 *	9/2004	Reimers	206/315.3
2006/0022418	A1 *	2/2006	Ortega	280/47.26

* cited by examiner

Primary Examiner — Robert M Spear

Assistant Examiner — Rashida C McCoy

(74) *Attorney, Agent, or Firm* — Michael A. Catania;
Rebecca Hanovice; Sonia Lari

(57) **CLAIM**

The ornamental design for a golf bag top and handle, as shown and described.

DESCRIPTION

FIG. 1 is a top perspective view of a golf bag top and handle as claimed herein;

FIG. 2 is a front side view thereof;

FIG. 3 is a back side view thereof;

FIG. 4 is a right side view thereof;

FIG. 5 is a left side view thereof;

FIG. 6 is a top plan view thereof;

FIG. 7 is a bottom plan view thereof

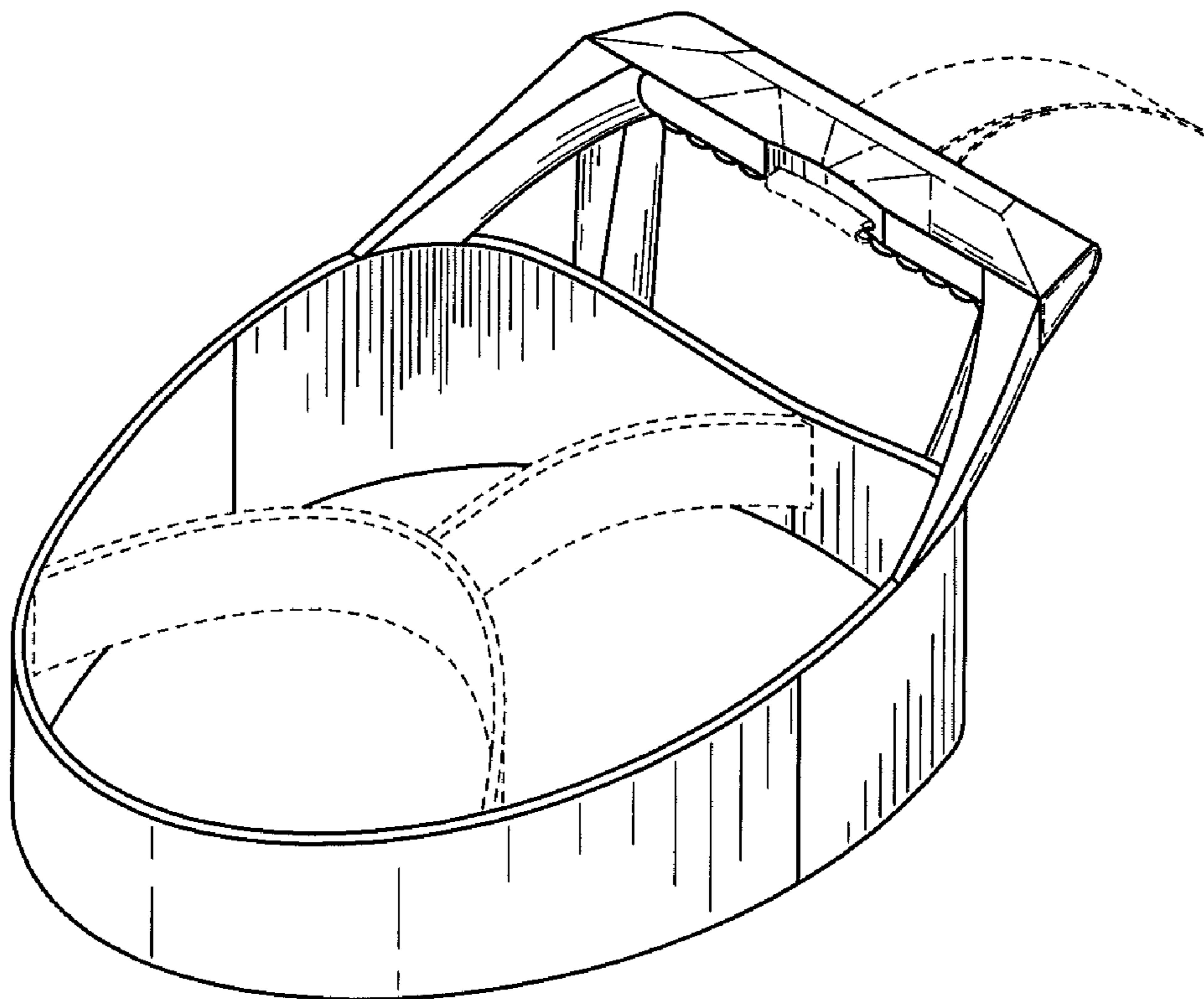
FIG. 8 is a top perspective from the back view thereof;

FIG. 9 is a bottom perspective from the back view thereof; and,

FIG. 10 is a bottom perspective view.

The broken lines in the drawings illustrate unclaimed environmental structure.

1 Claim, 4 Drawing Sheets



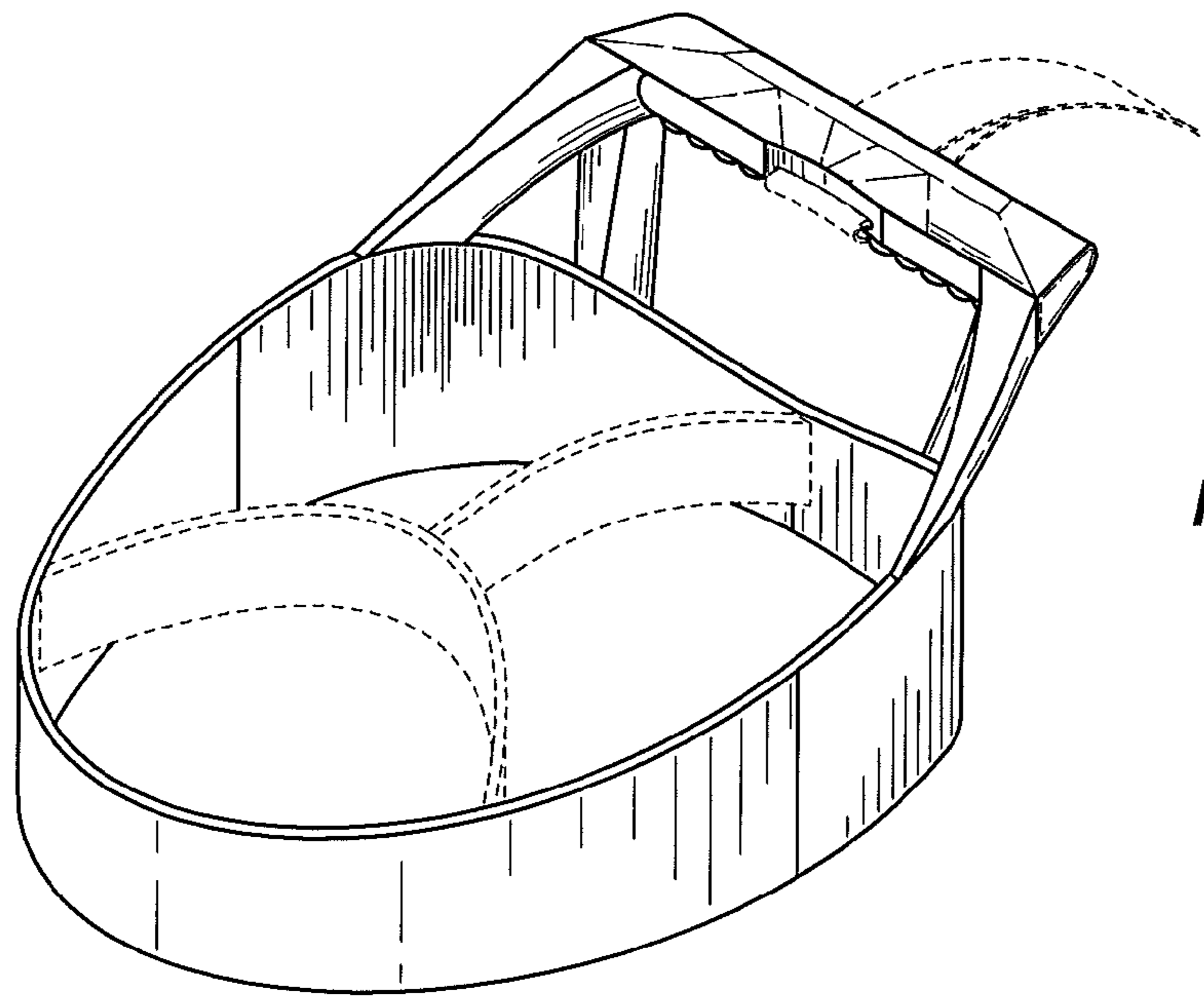


FIG. 1

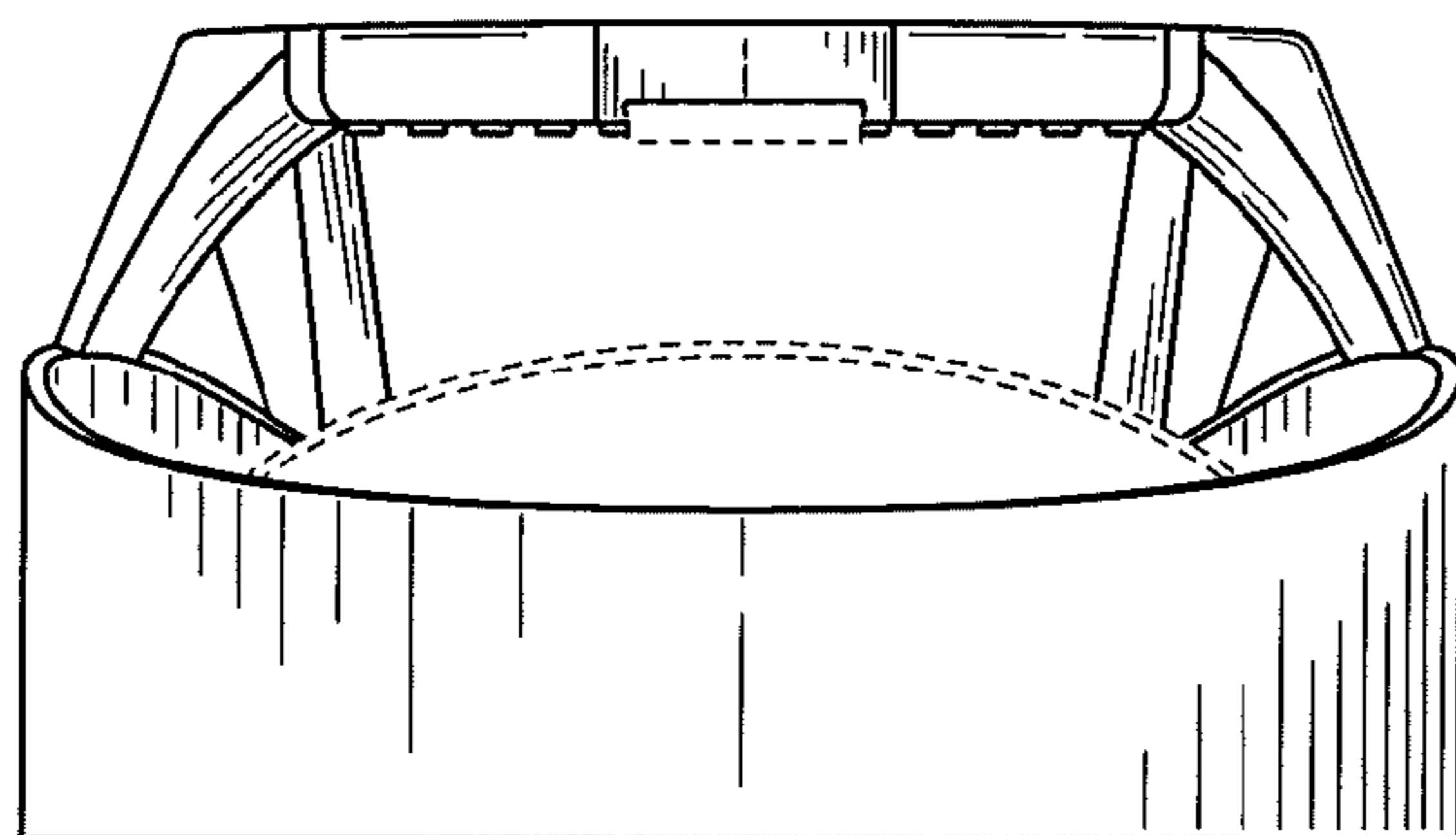


FIG. 2

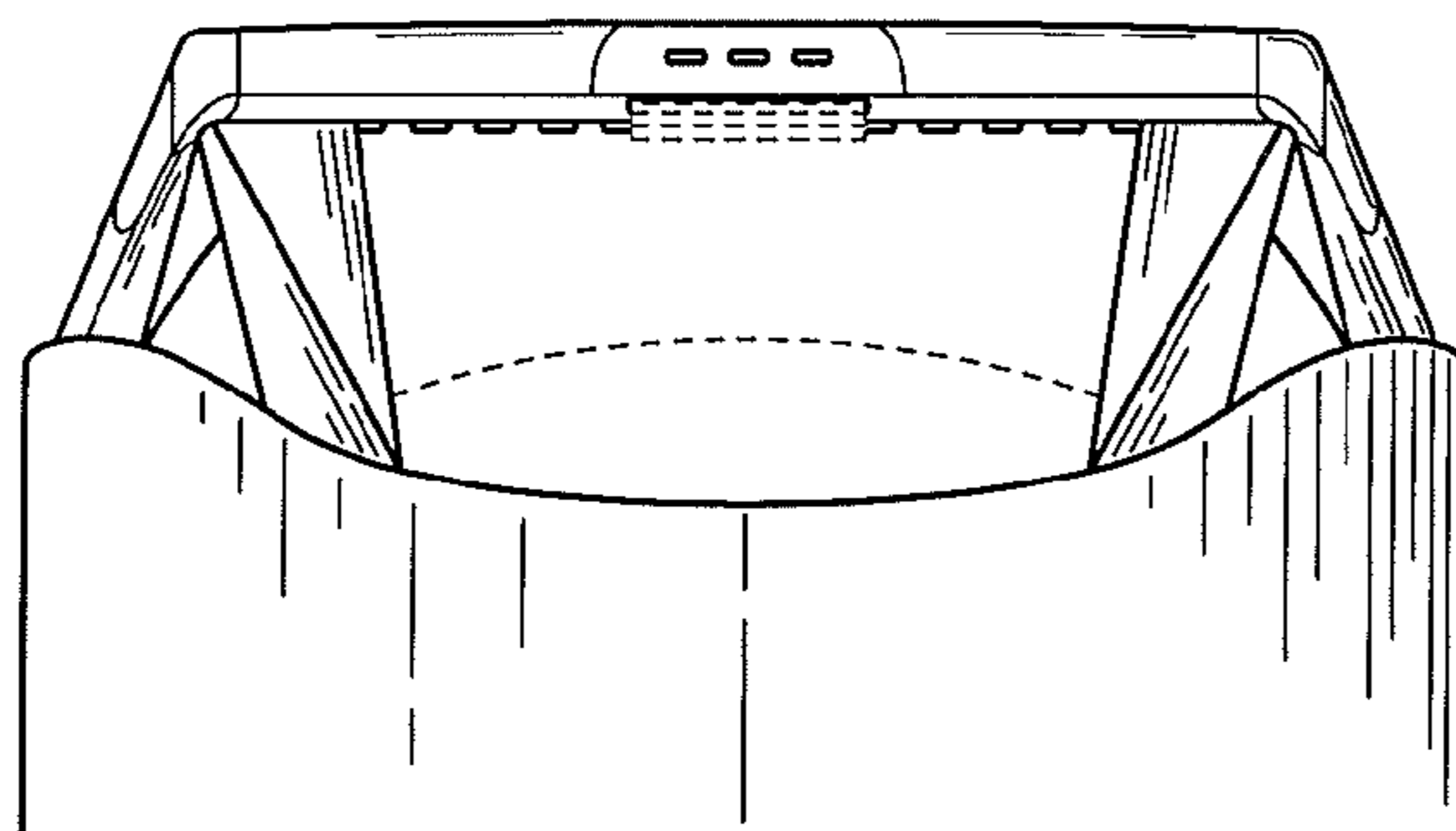


FIG. 3

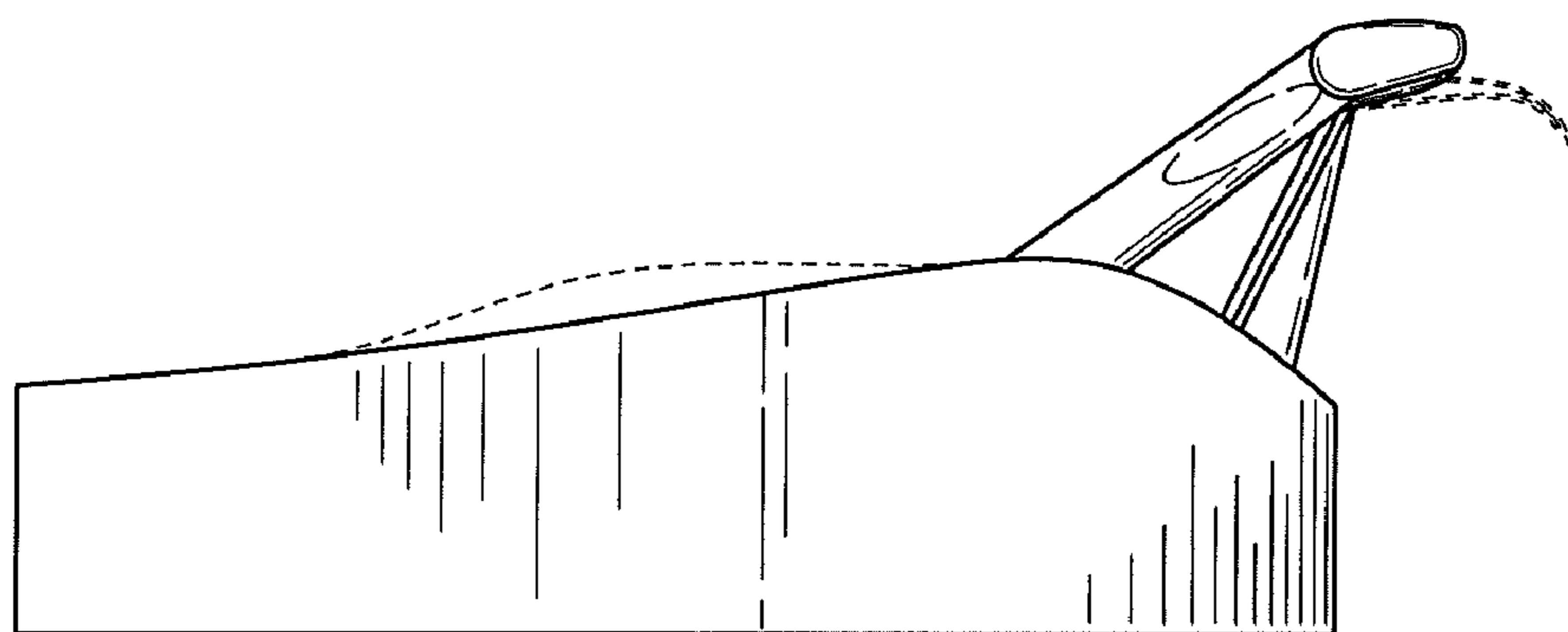


FIG. 4

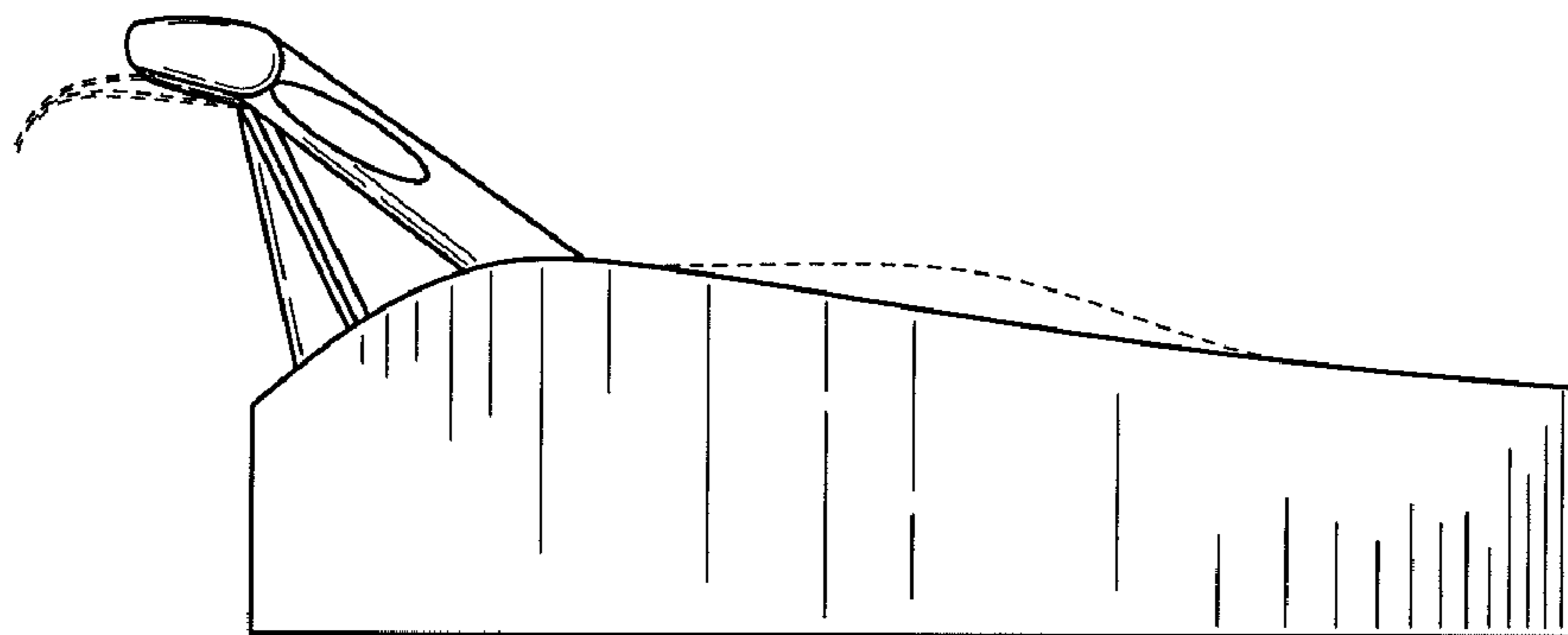


FIG. 5

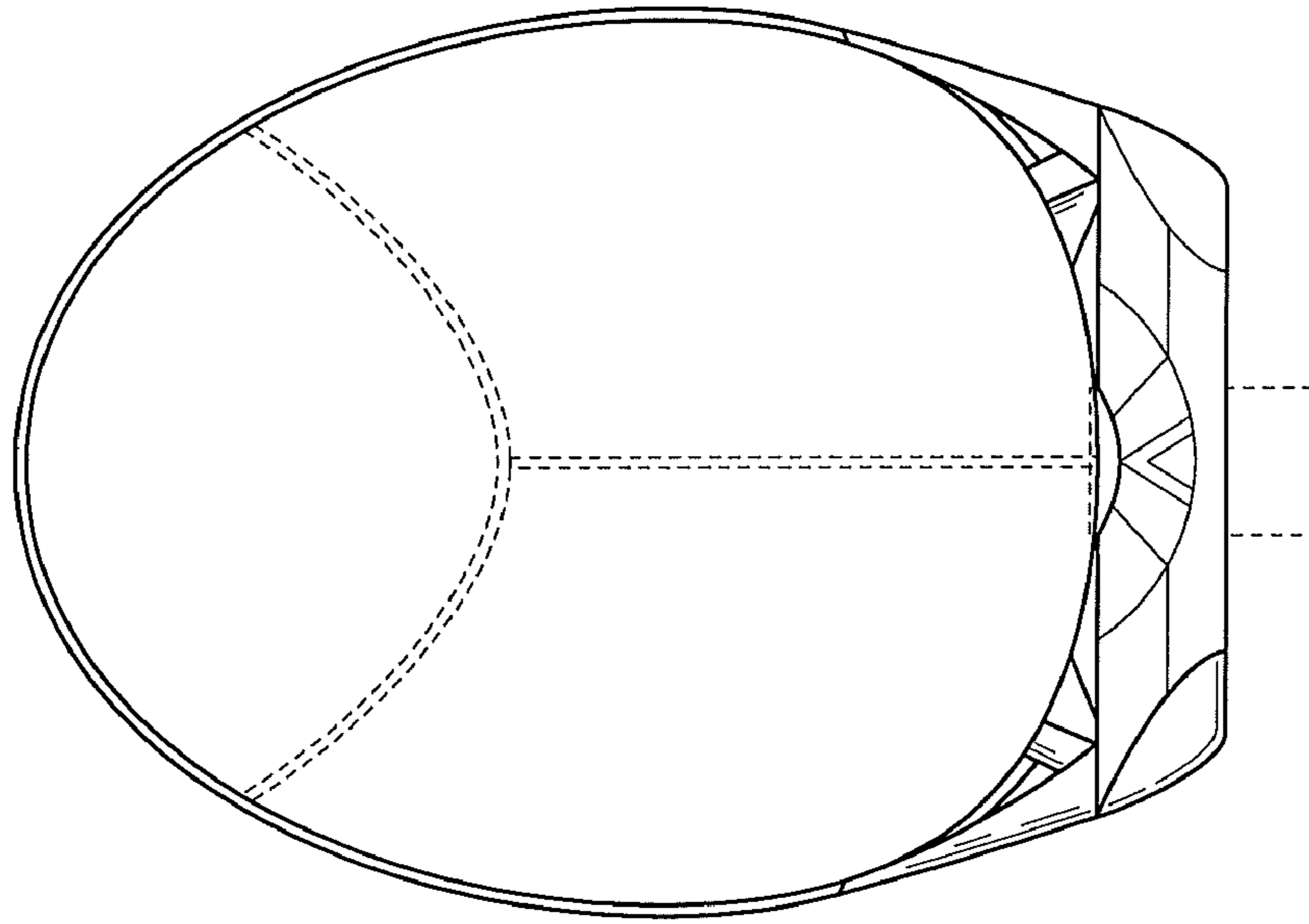


FIG. 6

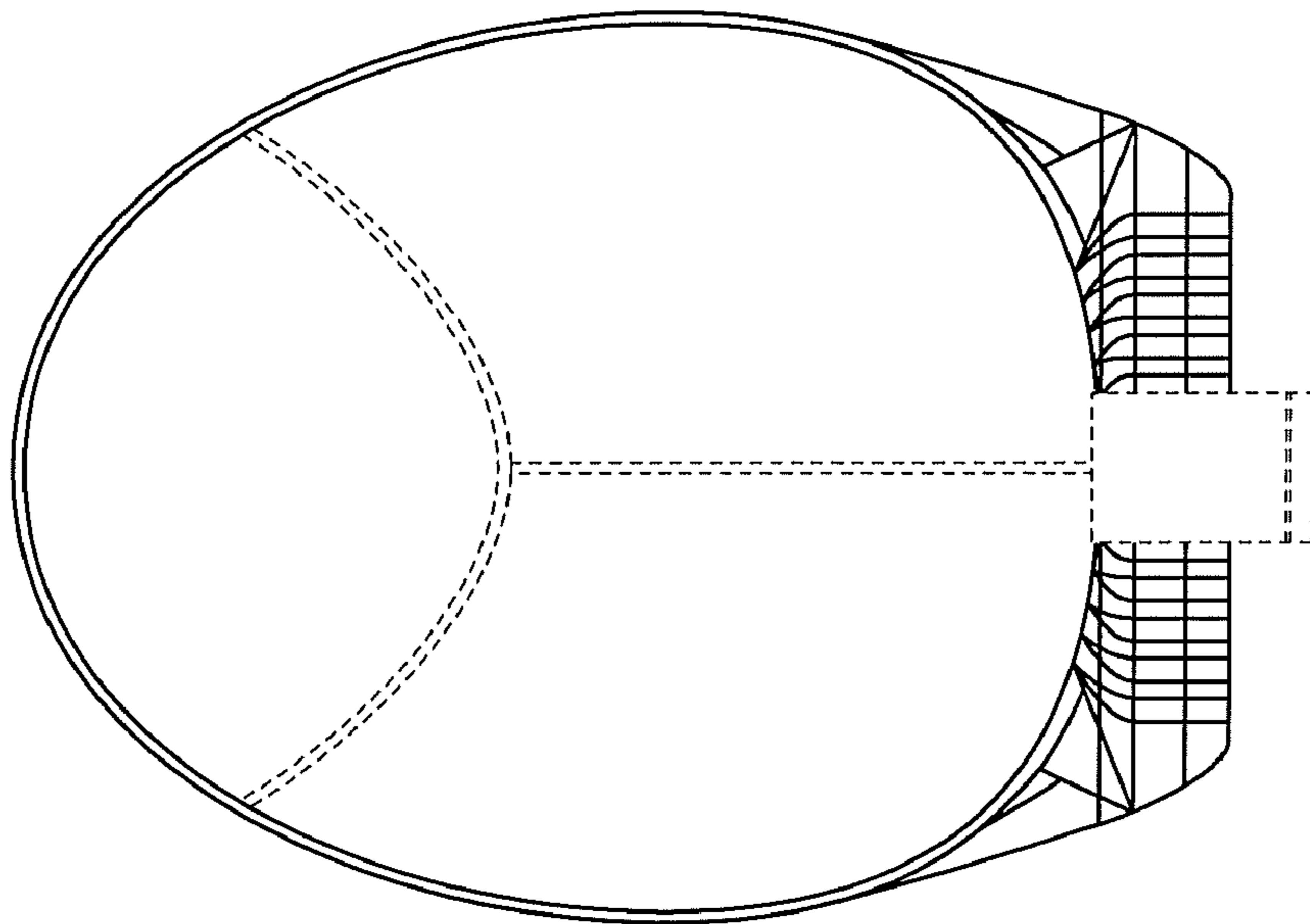


FIG. 7

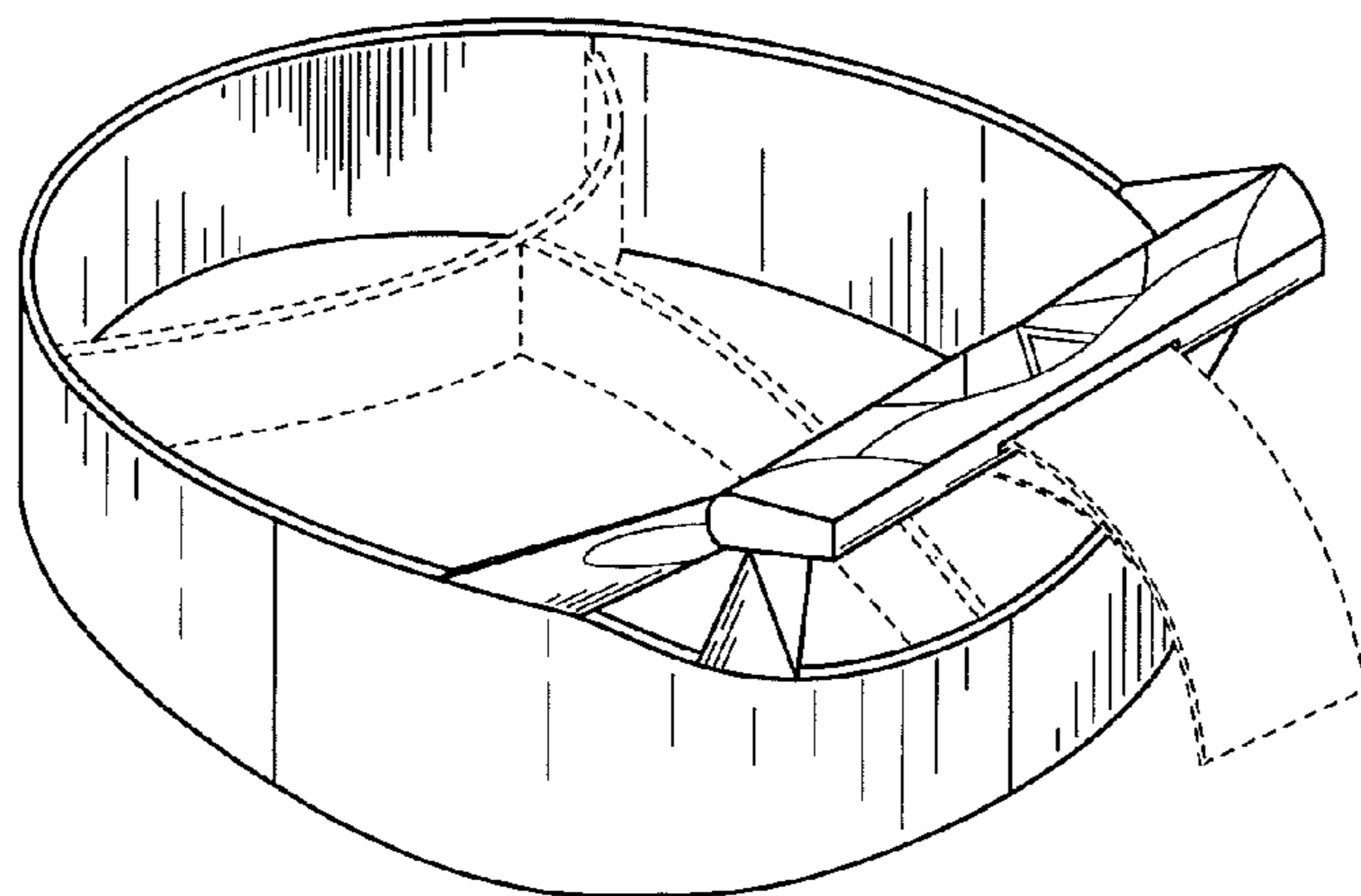


FIG. 8

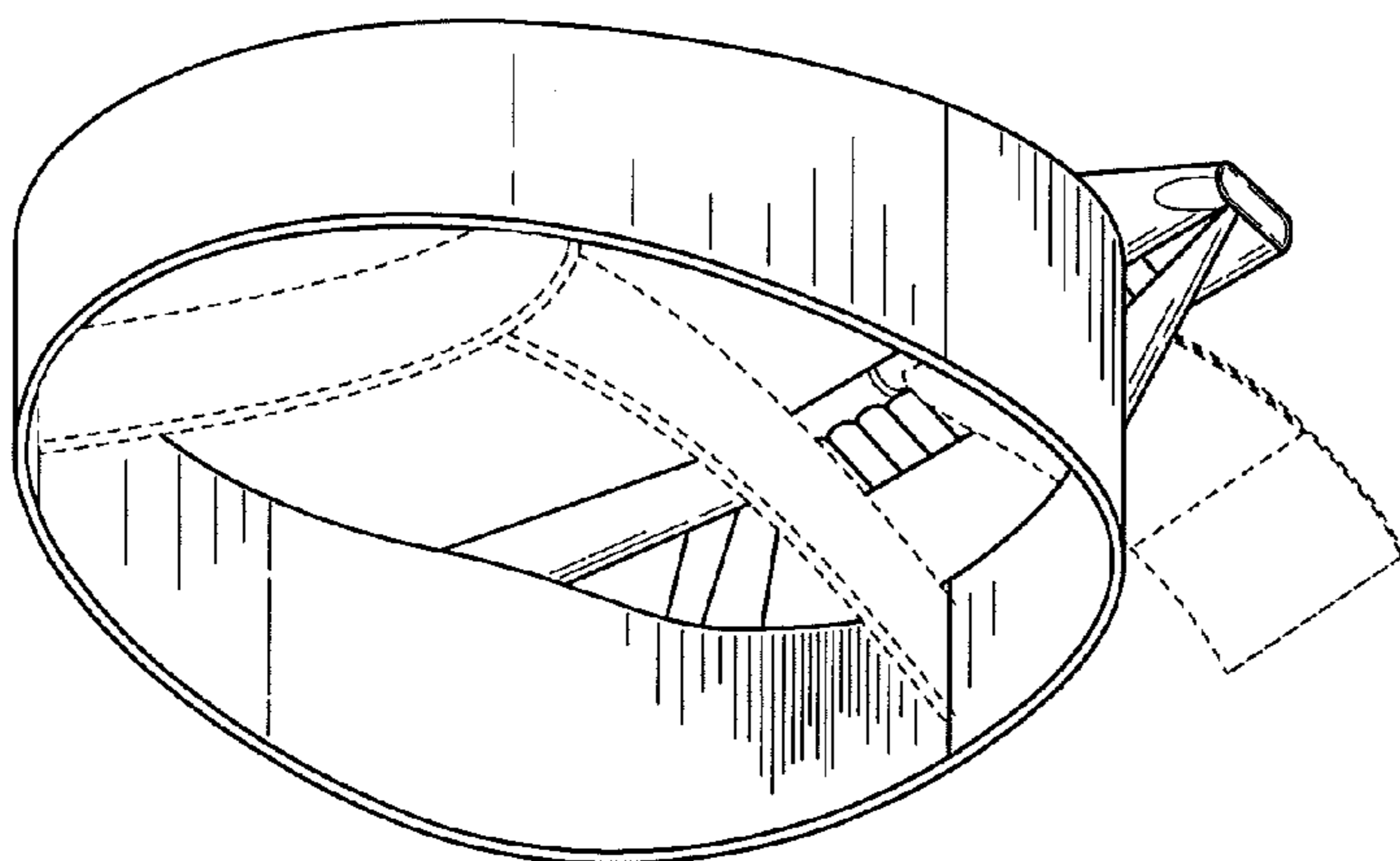


FIG. 9

FIG. 10

