



US00D649356S

(12) **United States Design Patent**  
**Loudenslager et al.**

(10) **Patent No.:** **US D649,356 S**

(45) **Date of Patent:** **\*\* Nov. 29, 2011**

(54) **GOLF BAG TOP**

(75) Inventors: **John H. Loudenslager**, Phoenix, AZ  
(US); **Brian J. McGuire**, Mesa, AZ (US)

(73) Assignee: **Karsten Manufacturing Corporation**,  
Phoenix, AZ (US)

(\*\*) Term: **14 Years**

(21) Appl. No.: **29/387,870**

(22) Filed: **Mar. 18, 2011**

(51) **LOC (9) Cl.** ..... **03-01**

(52) **U.S. Cl.** ..... **D3/320**

(58) **Field of Classification Search** ..... D3/318-321,  
D3/328, 328.1, 255; 150/159, 160;  
266/315.2-315.8, 315.11; 280/DIG. 6; 473/287;  
211/70.2

See application file for complete search history.

(56) **References Cited**

**U.S. PATENT DOCUMENTS**

D118,815 S	2/1940	Ferguson
3,331,419 A	7/1967	Bencriscutto
4,596,328 A	6/1986	Solheim
4,600,100 A	7/1986	Solheim
4,667,820 A	5/1987	Solheim
4,834,235 A	5/1989	Solheim
4,844,253 A	7/1989	Reimers
D308,441 S	6/1990	Quellais
5,099,990 A	3/1992	Antonious
5,431,278 A	7/1995	Gretz
5,450,955 A	9/1995	Olson
D372,362 S	8/1996	Bryant
D373,667 S	9/1996	Hunsaker
D382,406 S	8/1997	Kim
D382,707 S	8/1997	Wang
D385,113 S	10/1997	Beck
D385,114 S	10/1997	Su
D389,311 S	1/1998	Wang
D389,650 S	1/1998	Rhee
5,725,095 A	3/1998	Beck

D402,469 S	12/1998	Suk	
5,871,093 A *	2/1999	Sutter	206/315.6
D406,459 S	3/1999	Sundara	
5,941,383 A	8/1999	Chen	
5,971,147 A *	10/1999	Sutter	206/315.6
D421,839 S	3/2000	Beck	
D422,789 S	4/2000	Sundara	
D422,791 S	4/2000	Han	
6,076,245 A *	6/2000	Sutter	29/428
D429,416 S	8/2000	Heidenreich	
D431,111 S *	9/2000	Ryan	D3/320

(Continued)

**OTHER PUBLICATIONS**

John H. Loudenslager, et al., "Golf Bag Top," U.S. Appl. No. 29/386,562, filed Feb. 2, 2011.

(Continued)

*Primary Examiner* — Robert M Spear  
*Assistant Examiner* — Rashida C McCoy

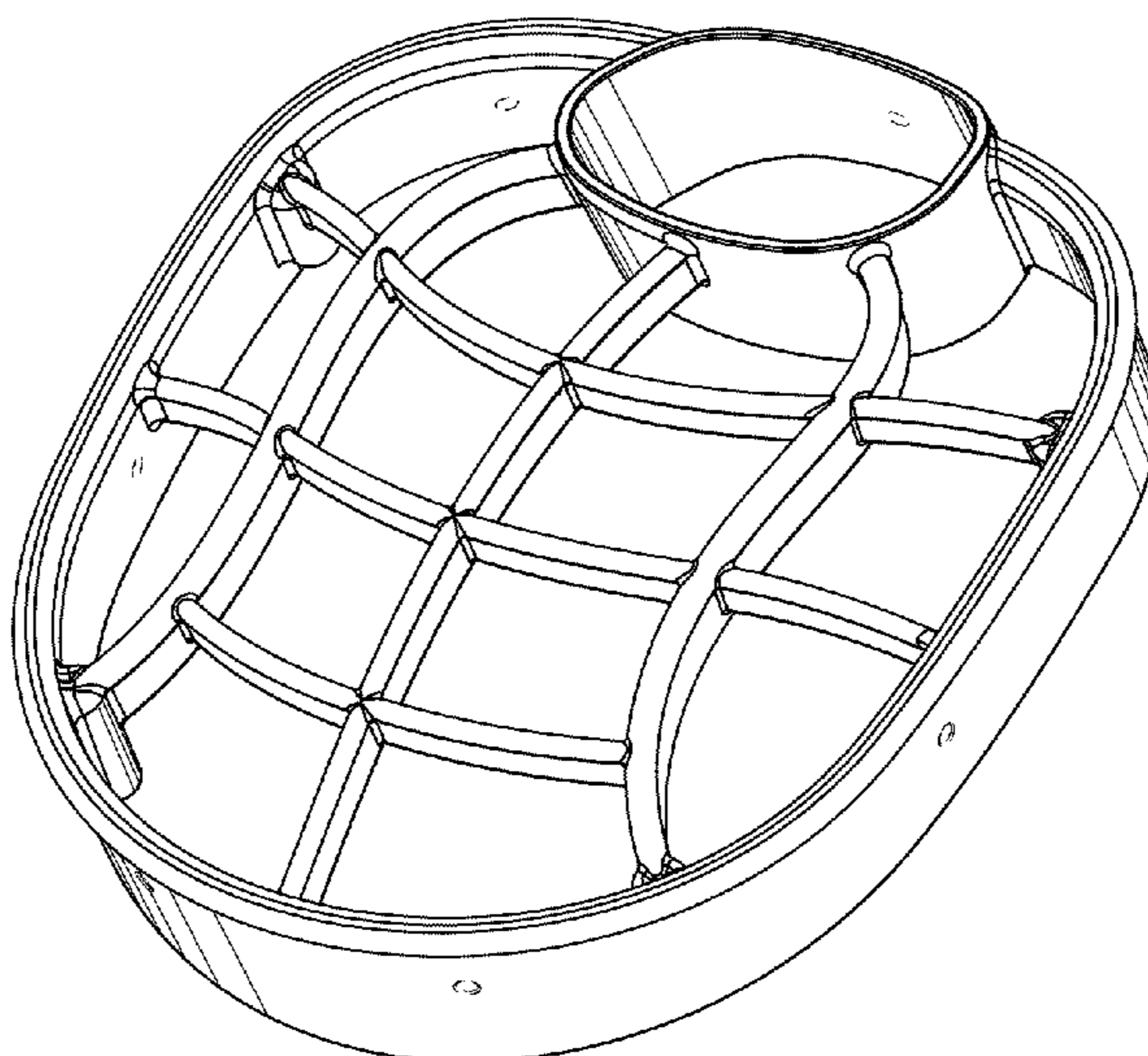
(57) **CLAIM**

The ornamental design for a golf bag top, as shown and described.

**DESCRIPTION**

FIG. 1 is a top perspective view of a golf bag top;  
FIG. 2 is a bottom perspective view of the golf bag top of FIG. 1;  
FIG. 3 is a top view of the golf bag top of FIG. 1;  
FIG. 4 is a bottom view of the golf bag top of FIG. 1;  
FIG. 5 is a front view of the golf bag top of FIG. 1;  
FIG. 6 is a rear view of the golf bag top of FIG. 1;  
FIG. 7 is a left view of the golf bag top of FIG. 1; and,  
FIG. 8 is a right view of the golf bag top of FIG. 1.  
The broken lines shown in one or more of the figures are for illustrative purposes only and form no part of the claimed design.

**1 Claim, 4 Drawing Sheets**



# US D649,356 S

Page 2

## U.S. PATENT DOCUMENTS

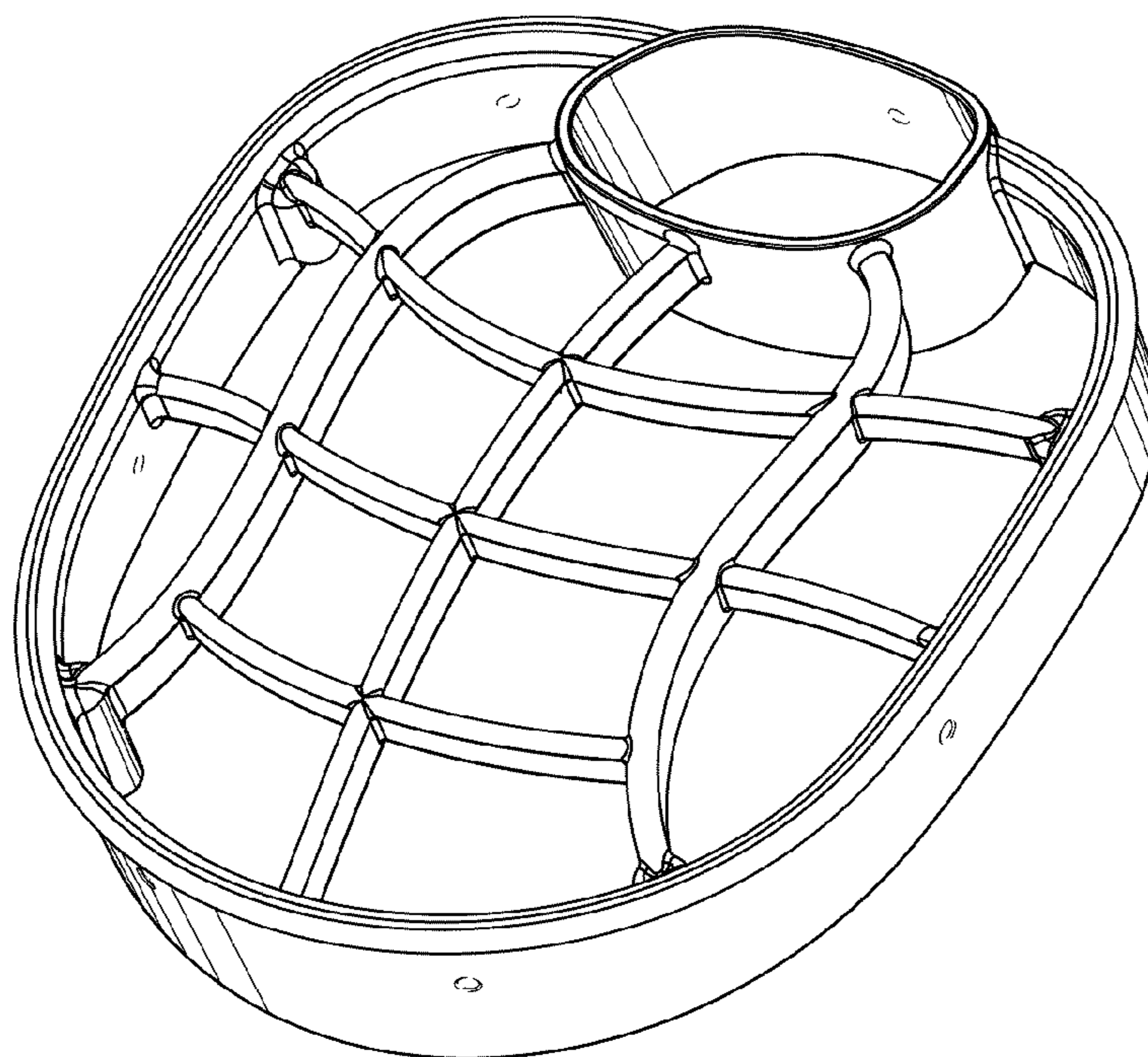
6,148,998	A	11/2000	Tan			
6,149,000	A *	11/2000	Kim	206/315.6		
D434,905	S	12/2000	Ryan			
6,199,690	B1	3/2001	Shin			
D454,249	S	3/2002	Schmidt			
6,357,585	B1 *	3/2002	Shin	206/315.6		
6,450,334	B1	9/2002	Chang			
6,494,416	B2	12/2002	Wang			
6,513,653	B1	2/2003	Chen			
6,564,936	B1	5/2003	Campbell			
6,568,527	B1	5/2003	Te-Pin			
6,595,357	B2 *	7/2003	Sutter et al.	206/315.6		
D478,422	S	8/2003	Chen			
D487,543	S	3/2004	Chang			
6,726,009	B1	4/2004	Larson			
D493,620	S	8/2004	Reimers			
D494,761	S	8/2004	Gray			
6,817,469	B2	11/2004	Chang			
D501,604	S	2/2005	Kadoya			
6,877,604	B2	4/2005	Pratt			
D512,838	S	12/2005	Schmidt			
D513,125	S	12/2005	Anderson			
D513,876	S	1/2006	Solheim			
D513,877	S	1/2006	Solheim			
D513,878	S	1/2006	Anderson			
D515,316	S	2/2006	Chang			
D517,808	S	3/2006	Reimers			
7,014,040	B2	3/2006	Anderson			
D520,751	S	5/2006	Chang			
D520,752	S	5/2006	Solheim			
D522,754	S	6/2006	Anderson			
D523,639	S	6/2006	Vosloo			
D523,640	S	6/2006	Vosloo			
D525,034	S	7/2006	Vosloo			
D530,922	S	10/2006	Anderson			
7,124,887	B2	10/2006	Reimers			
D534,355	S	1/2007	Renahan			
D537,252	S	2/2007	Vosloo			
D537,634	S	3/2007	Renahan			
D538,042	S	3/2007	Suggs			
7,216,762	B2	5/2007	Chen			
D544,210	S	6/2007	McGuire			
D546,064	S	7/2007	Vosloo			
D546,561	S	7/2007	Vosloo			
D557,501	S	12/2007	Suggs			
D557,502	S	12/2007	Quartarone, III			
D566,398	S	4/2008	Hooley			
D566,965	S	4/2008	Hooley			
D566,966	S	4/2008	Hooley			
7,357,251	B2	4/2008	Vosloo			
D577,916	S	10/2008	Quartarone, III			
D580,656	S	11/2008	Quartarone, III			
D613,063	S	4/2010	Quartarone, III			
D613,064	S	4/2010	Quartarone, III			
D613,065	S	4/2010	McGuire			
D613,066	S	4/2010	McGuire			
7,909,215	B2	3/2011	McGuire			
2001/0025802	A1	10/2001	Sutter			
2002/0179466	A1	12/2002	Maeng			
2002/0189962	A1	12/2002	Chen			
2004/0211688	A1	10/2004	Doss			
2005/0092630	A1	5/2005	Chen			

## OTHER PUBLICATIONS

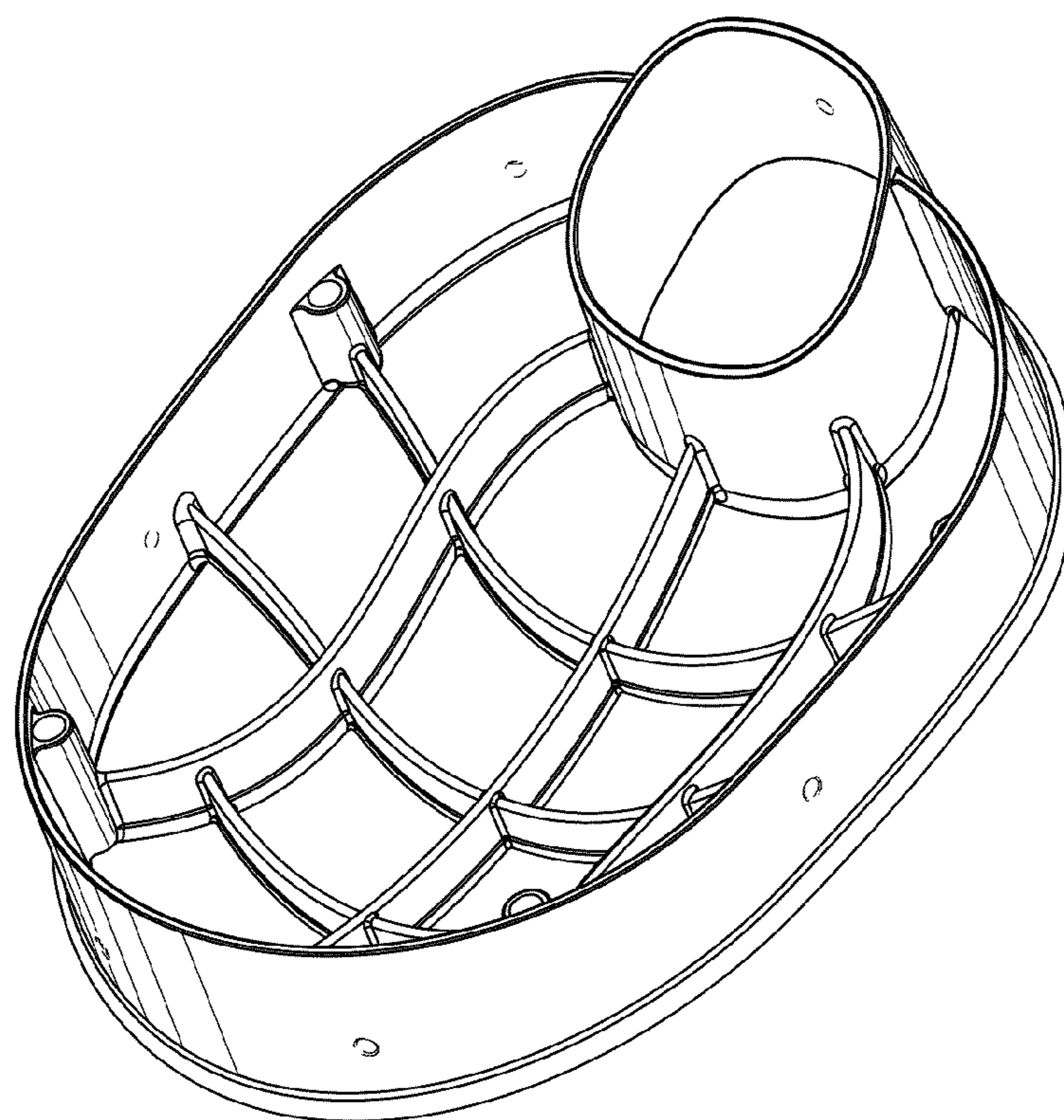
John H. Loudenslager, et al., "Golf Bag Top," U.S. Appl. No. 29/386,566, filed Feb. 2, 2011.

John H. Loudenslager, et al., "Golf Bag Top," U.S. Appl. No. 29/386,569, filed Feb. 2, 2011.

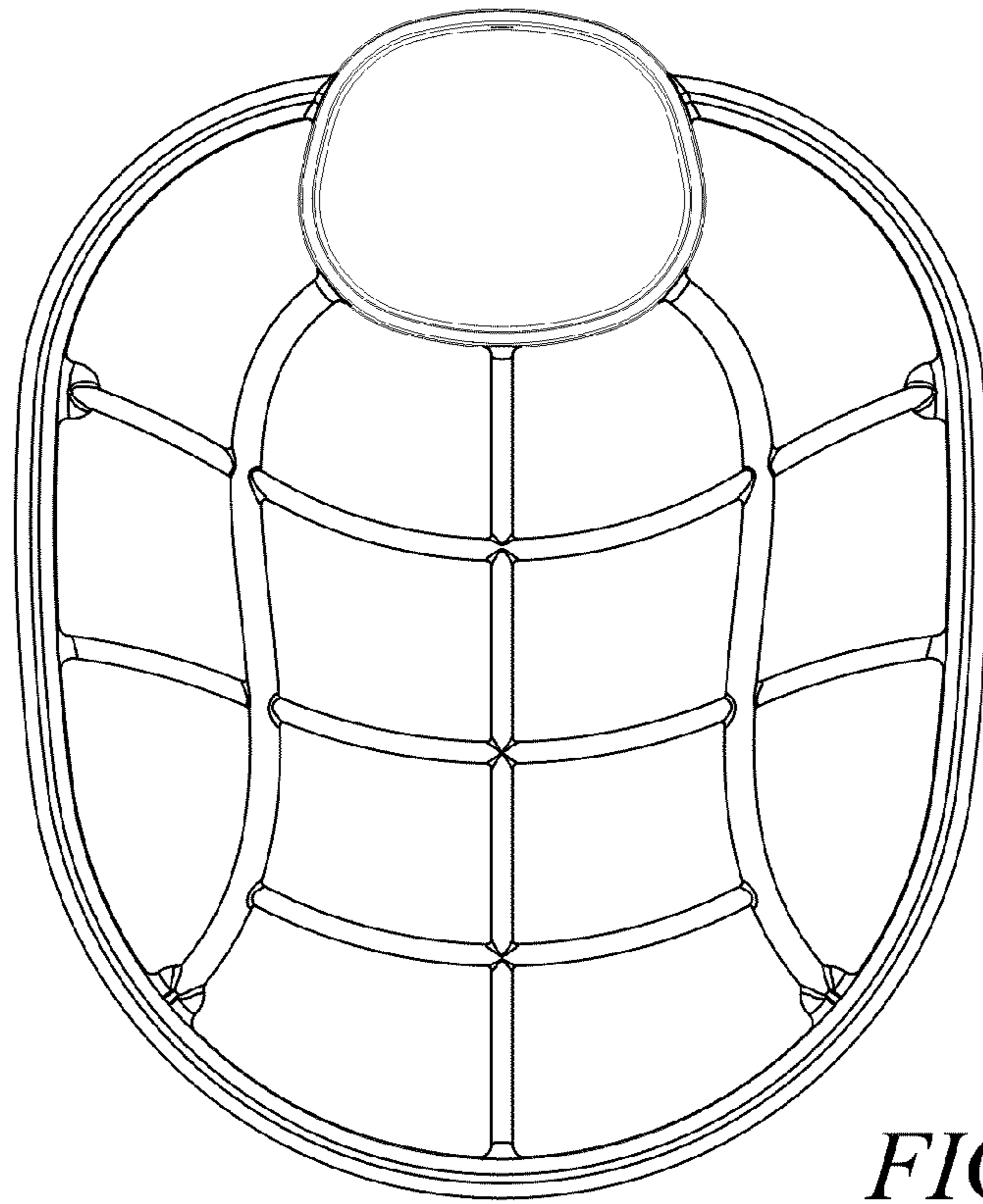
\* cited by examiner



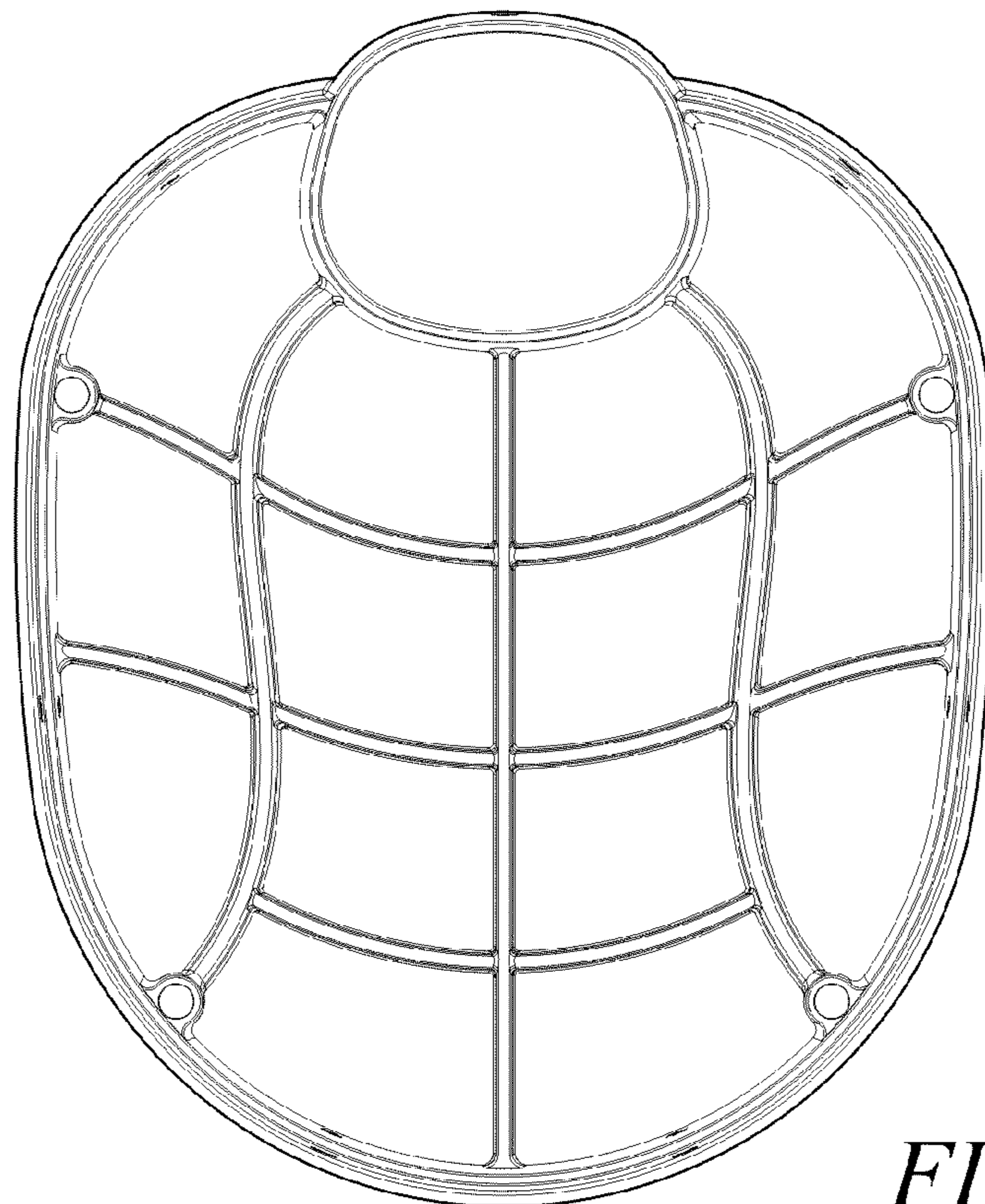
*FIG. 1*



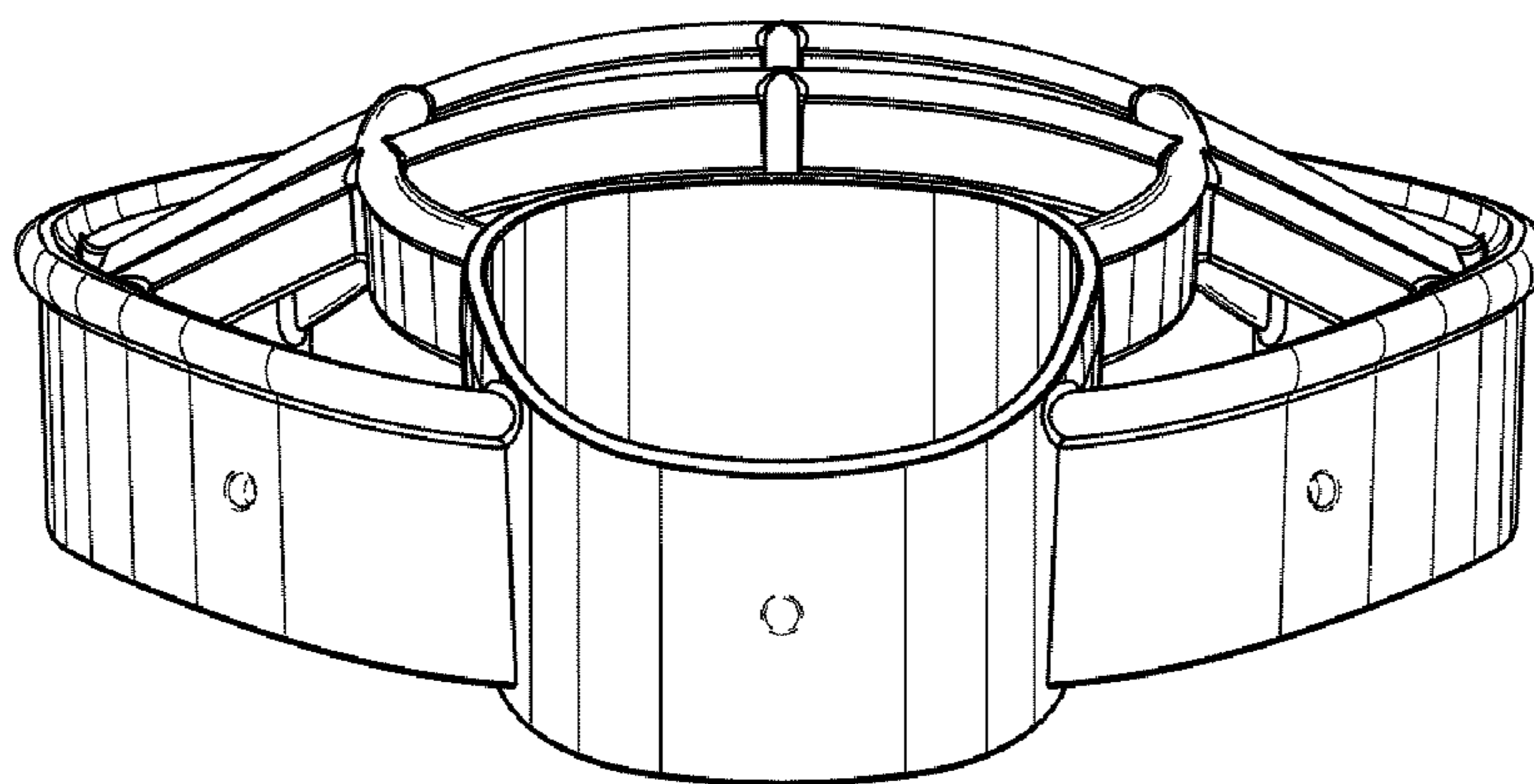
*FIG. 2*



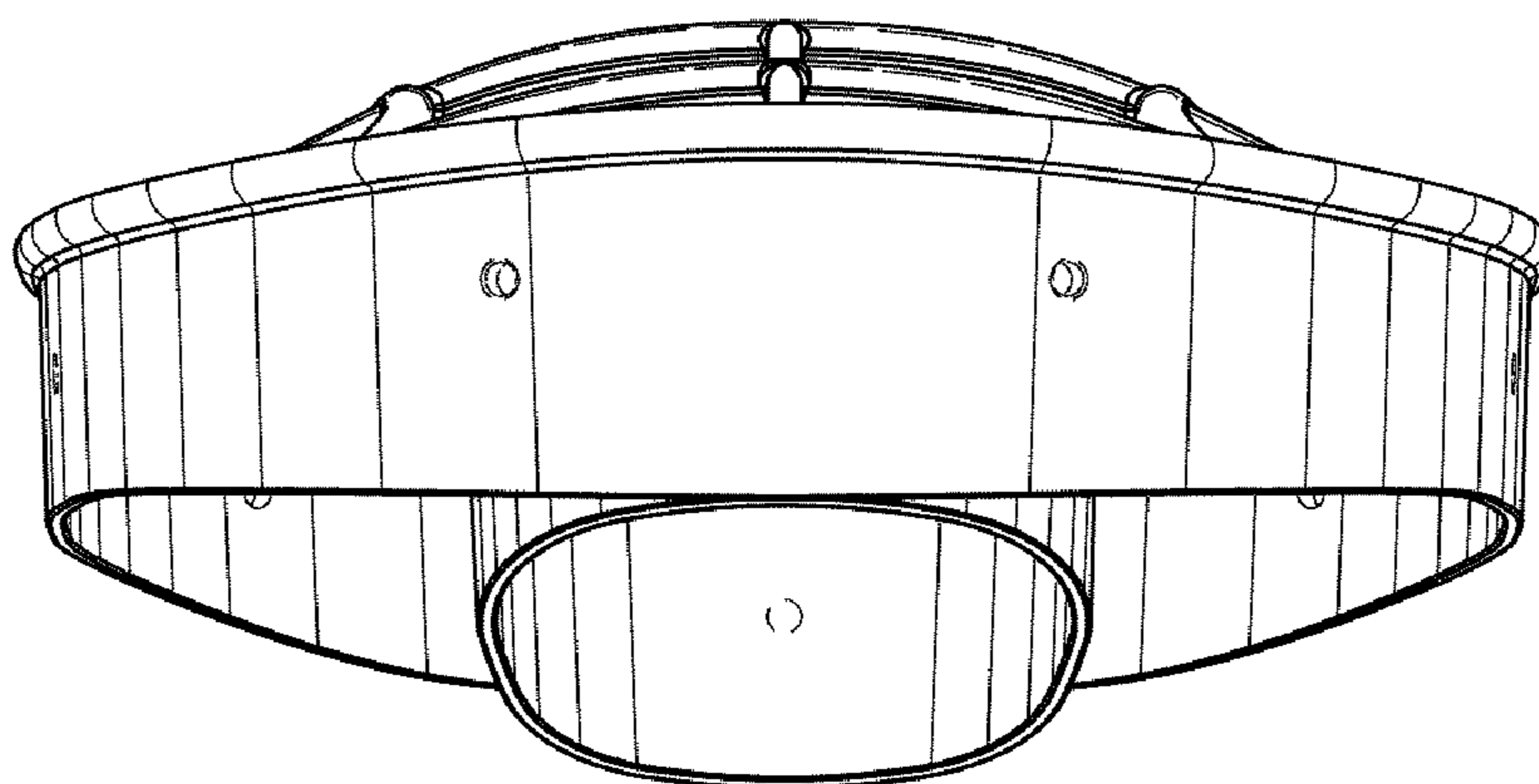
*FIG. 3*



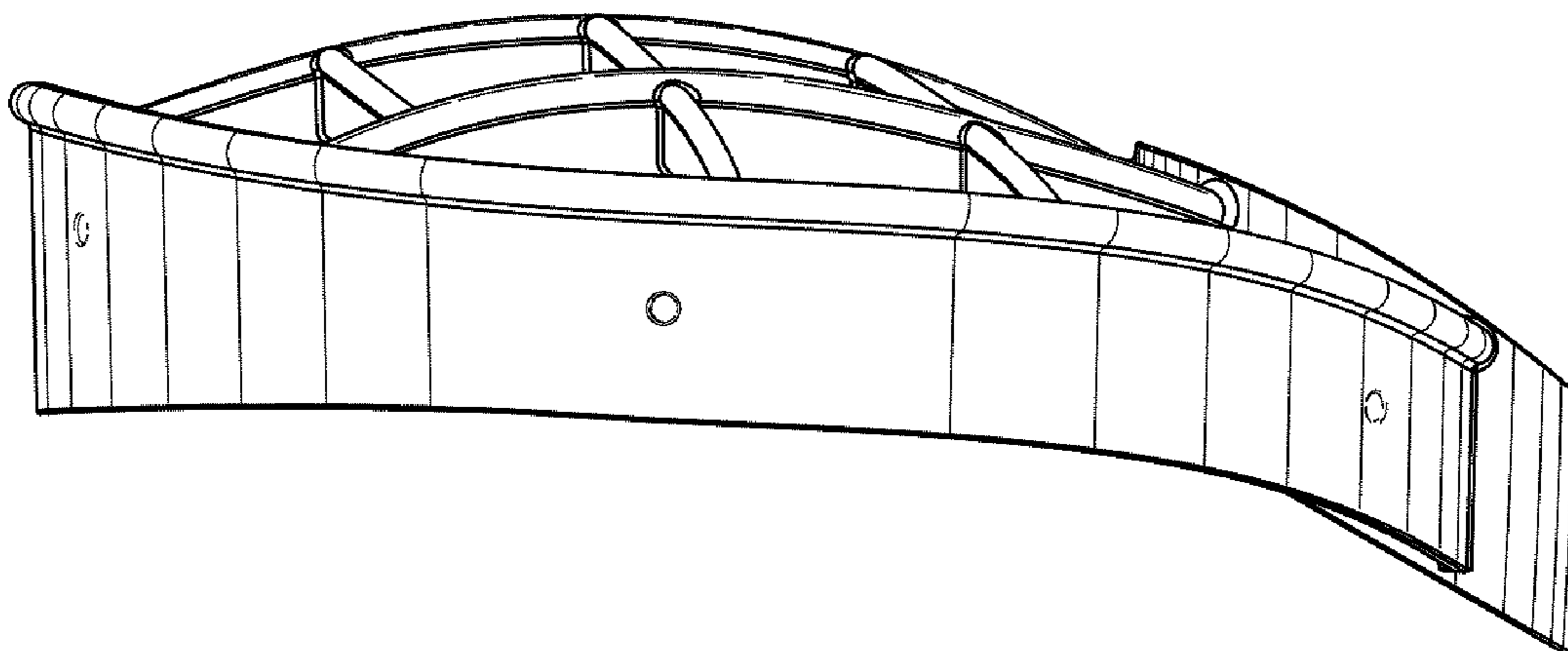
*FIG. 4*



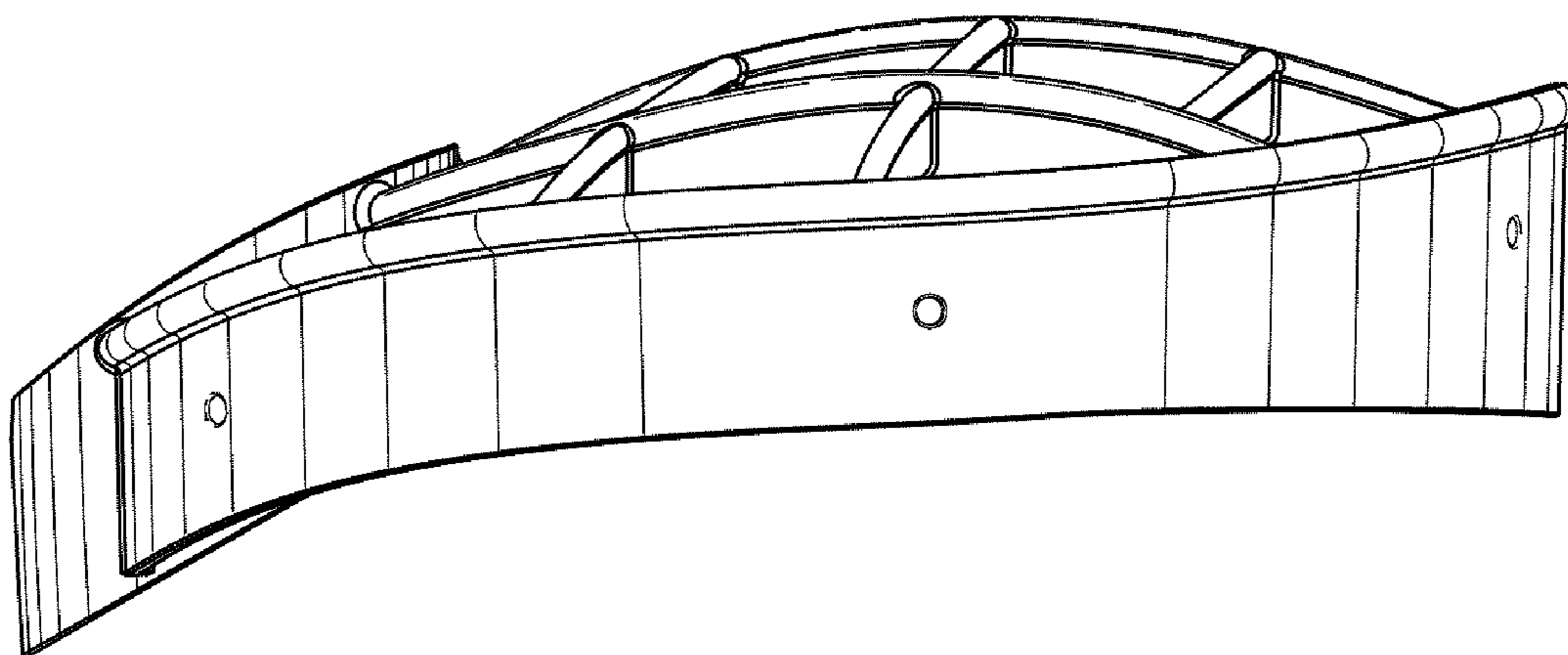
*FIG. 5*



*FIG. 6*



*FIG. 7*



*FIG. 8*