



US00D649354S

(12) **United States Design Patent**  
**Loudenslager et al.**

(10) **Patent No.:** **US D649,354 S**

(45) **Date of Patent:** **\*\* Nov. 29, 2011**

(54) **GOLF BAG TOP**

(75) Inventors: **John H. Loudenslager**, Phoenix, AZ  
(US); **Brian J. McGuire**, Phoenix, AZ  
(US)

(73) Assignee: **Karsten Manufacturing Corporation**,  
Phoenix, AZ (US)

(\*\*) Term: **14 Years**

(21) Appl. No.: **29/386,566**

(22) Filed: **Mar. 2, 2011**

(51) **LOC (9) Cl.** ..... **03-01**

(52) **U.S. Cl.** ..... **D3/320**

(58) **Field of Classification Search** ..... D3/318-321,  
D3/328, 328.1, 255; 150/159, 160;  
266/315.2-315.8, 315.11; 280/DIG. 6; 473/287;  
211/70.2

See application file for complete search history.

(56) **References Cited**

**U.S. PATENT DOCUMENTS**

|               |         |                 |           |
|---------------|---------|-----------------|-----------|
| D118,815 S    | 2/1940  | Ferguson        |           |
| 3,331,419 A   | 7/1967  | Bencriscutto    |           |
| 4,596,328 A   | 6/1986  | Solheim         |           |
| 4,600,100 A   | 7/1986  | Solheim         |           |
| 4,667,820 A   | 5/1987  | Solheim         |           |
| 4,834,235 A   | 5/1989  | Solheim         |           |
| 4,844,253 A   | 7/1989  | Reimers         |           |
| D308,441 S    | 6/1990  | Quellais        |           |
| 5,099,990 A   | 3/1992  | Antonious       |           |
| D331,660 S *  | 12/1992 | Souhrada et al. | D3/255    |
| 5,431,278 A   | 7/1995  | Gretz           |           |
| 5,450,955 A   | 9/1995  | Olson           |           |
| D364,737 S *  | 12/1995 | Perrin          | D3/255    |
| D372,362 S    | 8/1996  | Bryant          |           |
| D373,667 S    | 9/1996  | Hunsaker        |           |
| 5,638,954 A * | 6/1997  | Hsien           | 206/315.8 |
| D382,406 S    | 8/1997  | Kim             |           |
| D382,707 S    | 8/1997  | Wang            |           |
| D385,113 S    | 10/1997 | Beck            |           |

|              |         |             |        |
|--------------|---------|-------------|--------|
| D385,114 S   | 10/1997 | Su          |        |
| D389,311 S   | 1/1998  | Wang        |        |
| D389,650 S   | 1/1998  | Rhee        |        |
| 5,725,095 A  | 3/1998  | Beck        |        |
| D402,469 S   | 12/1998 | Suk         |        |
| D406,459 S   | 3/1999  | Sundara     |        |
| D412,789 S * | 8/1999  | Suk         | D3/320 |
| 5,941,383 A  | 8/1999  | Cheng       |        |
| D421,839 S   | 3/2000  | Beck        |        |
| D422,789 S   | 4/2000  | Sundara     |        |
| D422,791 S   | 4/2000  | Han         |        |
| D429,416 S   | 8/2000  | Heidenreich |        |

(Continued)

**OTHER PUBLICATIONS**

John H. Loudenslager, et al., "Golf Bag Top," U.S. Appl. No. 29/386,562, filed Feb. 2, 2011.

(Continued)

*Primary Examiner* — Robert M Spear  
*Assistant Examiner* — Rashida C McCoy

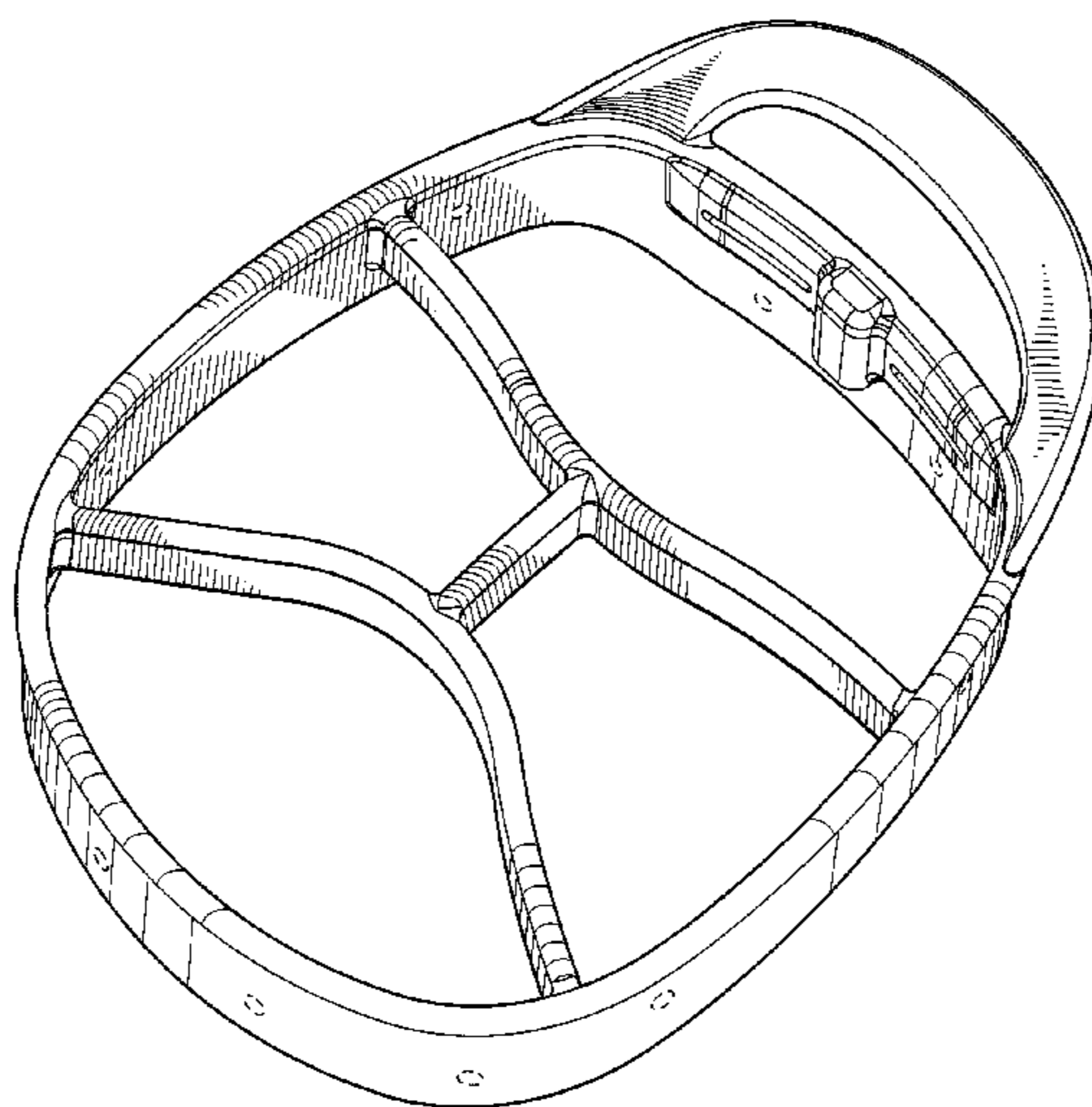
(57) **CLAIM**

The ornamental design for a golf bag top, as shown and described.

**DESCRIPTION**

FIG. 1 is a top perspective view of a golf bag top; FIG. 2 is a bottom perspective view of the golf bag top of FIG. 1; FIG. 3 is a top view of the golf bag top of FIG. 1; FIG. 4 is a bottom view of the golf bag top of FIG. 1; FIG. 5 is a rear view of the golf bag top of FIG. 1; FIG. 6 is a front view of the golf bag top of FIG. 1; FIG. 7 is a left view of the golf bag top of FIG. 1; and, FIG. 8 is a right view of the golf bag top of FIG. 1. The broken lines shown in one or more of the figures are for illustrative purposes only and form no part of the claimed design.

**1 Claim, 6 Drawing Sheets**



# US D649,354 S

Page 2

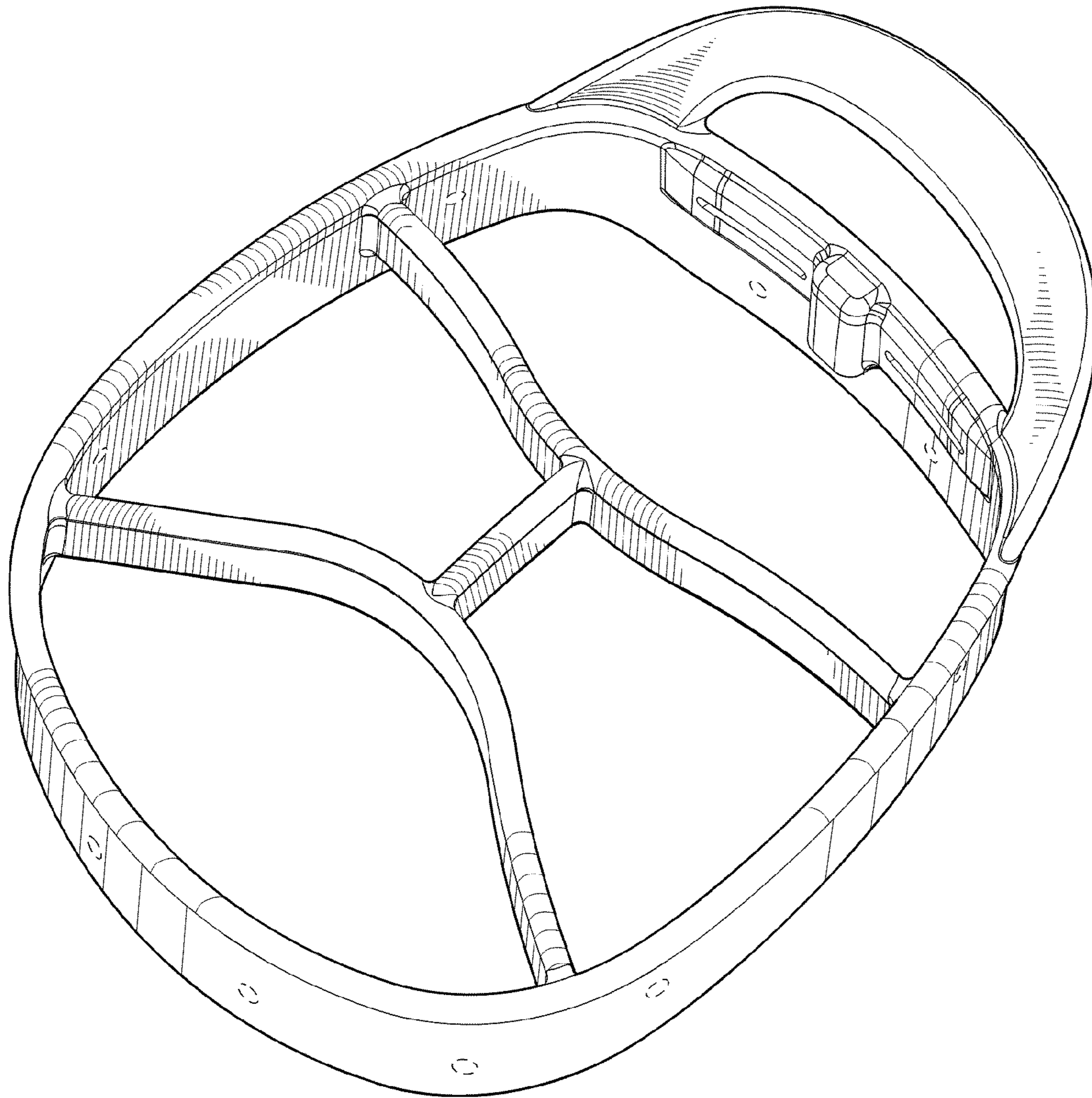
## U.S. PATENT DOCUMENTS

|              |         |          |                   |         |                       |
|--------------|---------|----------|-------------------|---------|-----------------------|
| 6,148,998 A  | 11/2000 | Tan      | D537,252 S        | 2/2007  | Vosloo                |
| D434,905 S   | 12/2000 | Ryan     | D537,634 S        | 3/2007  | Renahan               |
| 6,199,690 B1 | 3/2001  | Shin     | D538,042 S        | 3/2007  | Suggs                 |
| D454,249 S   | 3/2002  | Schmidt  | 7,216,762 B2      | 5/2007  | Chen                  |
| 6,450,334 B1 | 9/2002  | Chang    | D544,210 S        | 6/2007  | McGuire               |
| 6,494,416 B2 | 12/2002 | Wang     | D546,064 S        | 7/2007  | Vosloo                |
| 6,513,653 B1 | 2/2003  | Chen     | D546,561 S        | 7/2007  | Vosloo                |
| 6,564,936 B1 | 5/2003  | Campbell | D557,501 S        | 12/2007 | Suggs                 |
| 6,568,527 B1 | 5/2003  | Te-Pin   | D557,502 S        | 12/2007 | Quartarone, III       |
| D478,422 S   | 8/2003  | Chen     | D566,398 S        | 4/2008  | Hooley                |
| D487,543 S   | 3/2004  | Chang    | D566,965 S        | 4/2008  | Hooley                |
| 6,726,009 B1 | 4/2004  | Larson   | D566,966 S        | 4/2008  | Hooley                |
| D493,620 S   | 8/2004  | Reimers  | 7,357,251 B2      | 4/2008  | Vosloo                |
| D494,761 S   | 8/2004  | Gray     | D577,916 S        | 10/2008 | Quartarone, III       |
| 6,817,469 B2 | 11/2004 | Chang    | D580,656 S        | 11/2008 | Quartarone, III       |
| D501,604 S   | 2/2005  | Kadoya   | 7,494,009 B2 *    | 2/2009  | Shiao ..... 206/315.7 |
| 6,877,604 B2 | 4/2005  | Pratt    | D613,063 S        | 4/2010  | Quartarone, III       |
| D512,838 S   | 12/2005 | Schmidt  | D613,064 S        | 4/2010  | Quartarone, III       |
| D513,125 S   | 12/2005 | Anderson | D613,065 S        | 4/2010  | McGuire               |
| D513,876 S   | 1/2006  | Solheim  | D613,066 S        | 4/2010  | McGuire               |
| D513,877 S   | 1/2006  | Solheim  | 7,909,215 B2      | 3/2011  | McGuire               |
| D513,878 S   | 1/2006  | Anderson | 2001/0025802 A1   | 10/2001 | Sutter                |
| D515,316 S   | 2/2006  | Chang    | 2002/0179466 A1   | 12/2002 | Maeng                 |
| D517,808 S   | 3/2006  | Reimers  | 2002/0189962 A1   | 12/2002 | Chen                  |
| 7,014,040 B2 | 3/2006  | Anderson | 2003/0146120 A1 * | 8/2003  | Chi ..... 206/315.5   |
| D520,751 S   | 5/2006  | Chang    | 2004/0211688 A1   | 10/2004 | Doss                  |
| D520,752 S   | 5/2006  | Solheim  | 2005/0092630 A1   | 5/2005  | Chen                  |
| D522,754 S   | 6/2006  | Anderson |                   |         |                       |
| D523,639 S   | 6/2006  | Vosloo   |                   |         |                       |
| D523,640 S   | 6/2006  | Vosloo   |                   |         |                       |
| D525,034 S   | 7/2006  | Vosloo   |                   |         |                       |
| D530,922 S   | 10/2006 | Anderson |                   |         |                       |
| 7,124,887 B2 | 10/2006 | Reimers  |                   |         |                       |
| D534,355 S   | 1/2007  | Renahan  |                   |         |                       |

## OTHER PUBLICATIONS

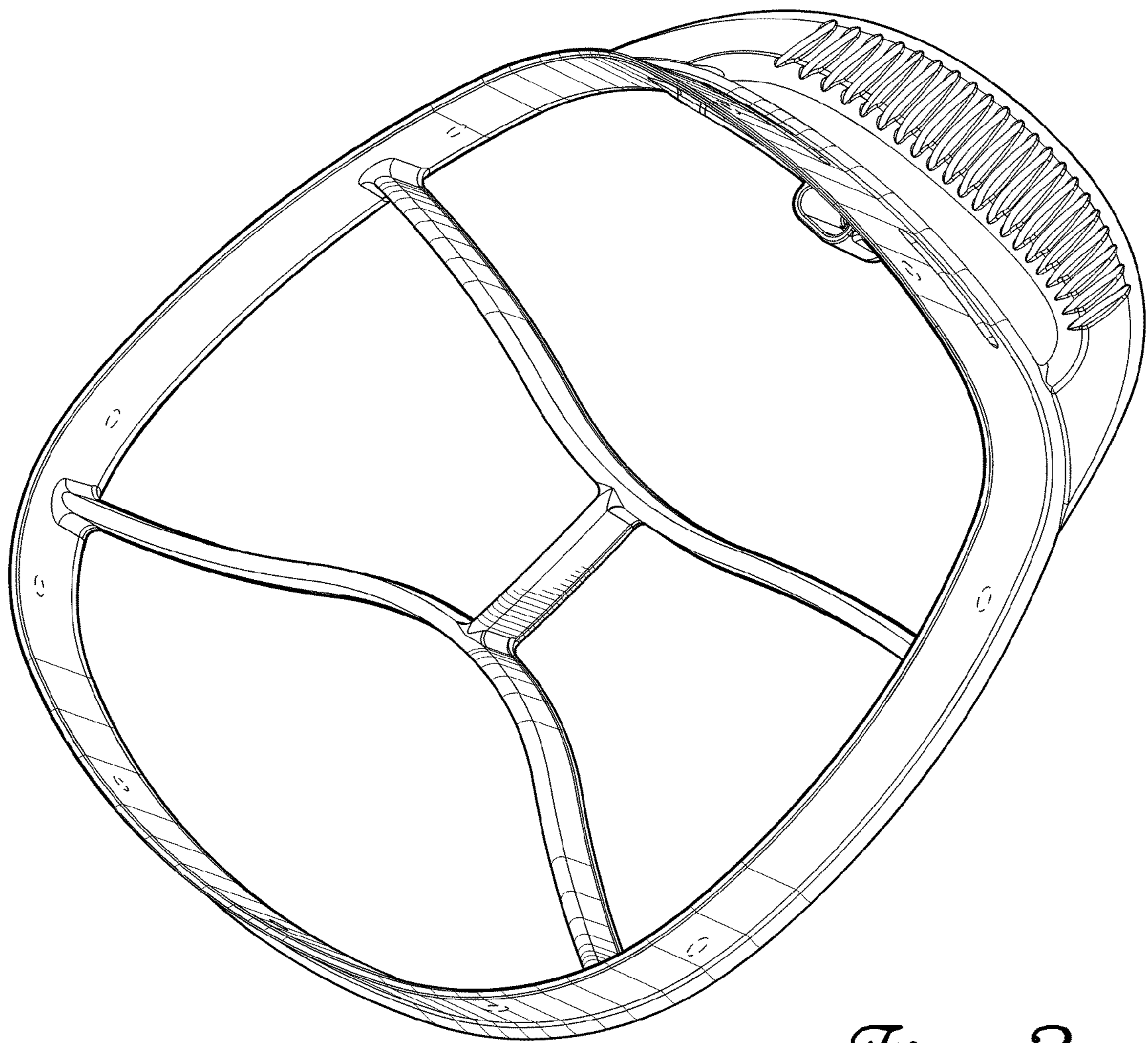
John H. Loudenslager, et al., "Golf Bag Top," U.S. Appl. No. 29/386,569, filed Feb. 2, 2011.  
John H. Loudenslager, et al., "Golf Bag Top," U.S. Appl. No. 29/387,870, filed Mar. 18, 2011.

\* cited by examiner

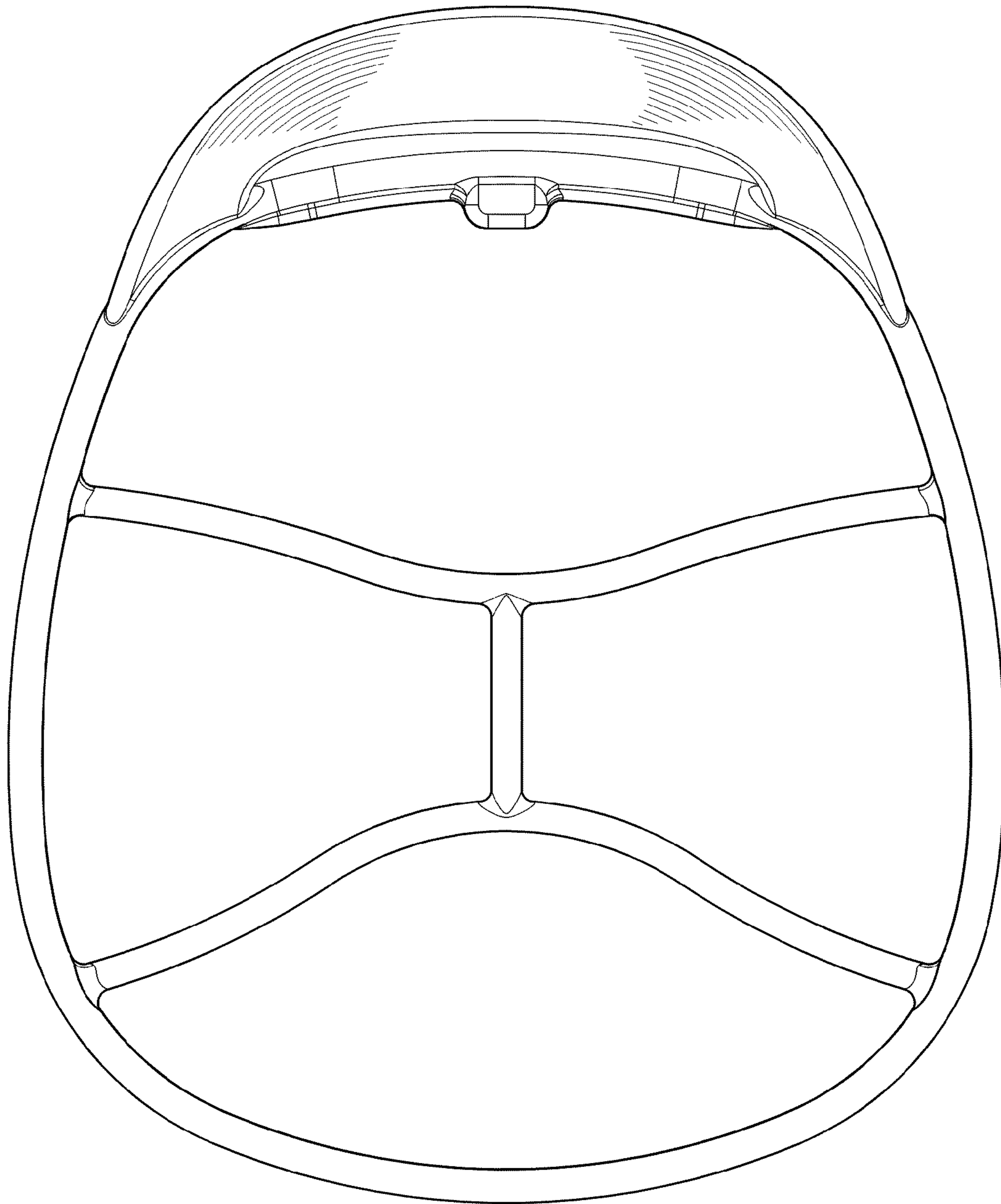


*Fig. 1*

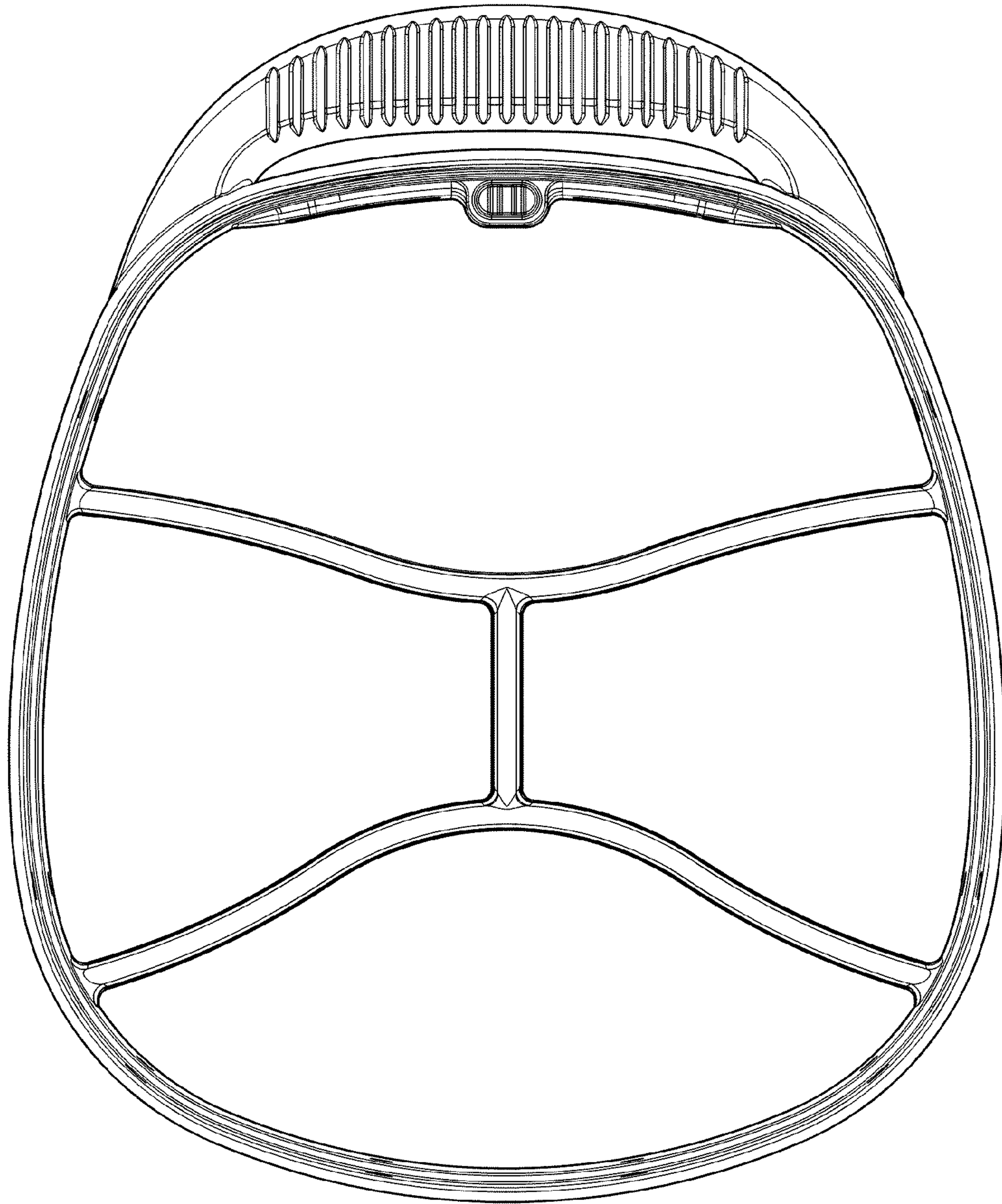




*Fig. 2*

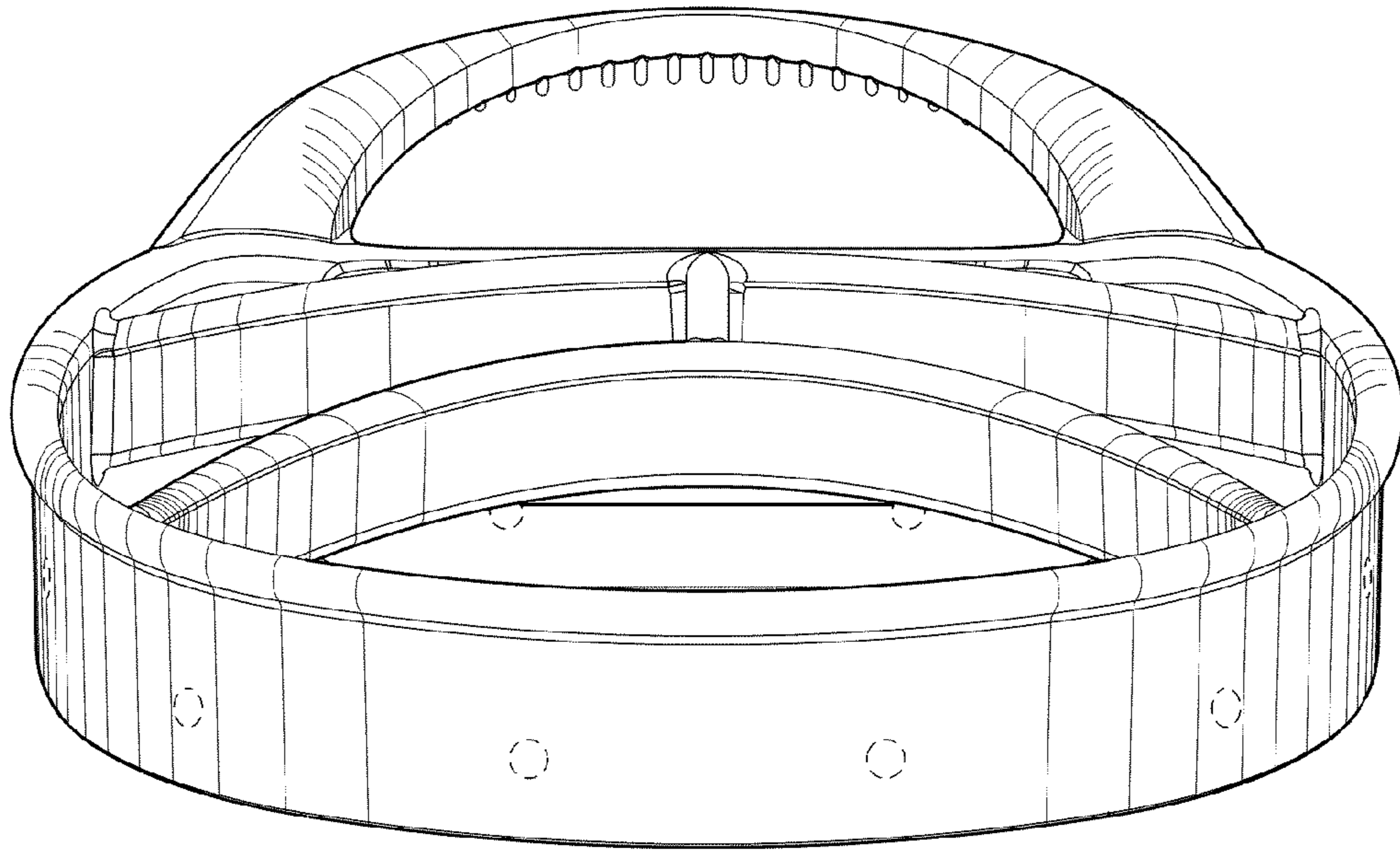


*Fig. 3*

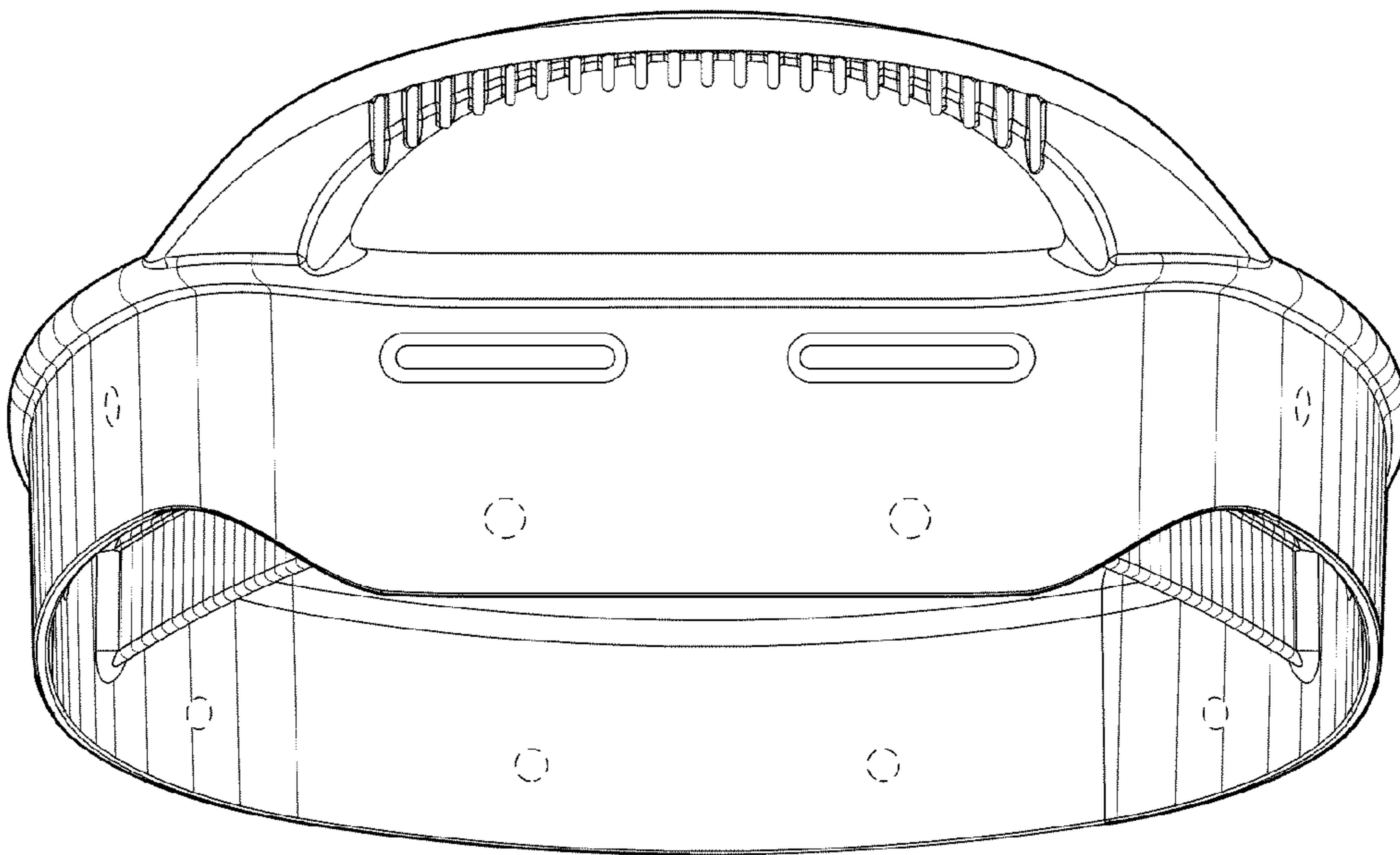


*Fig. 4*

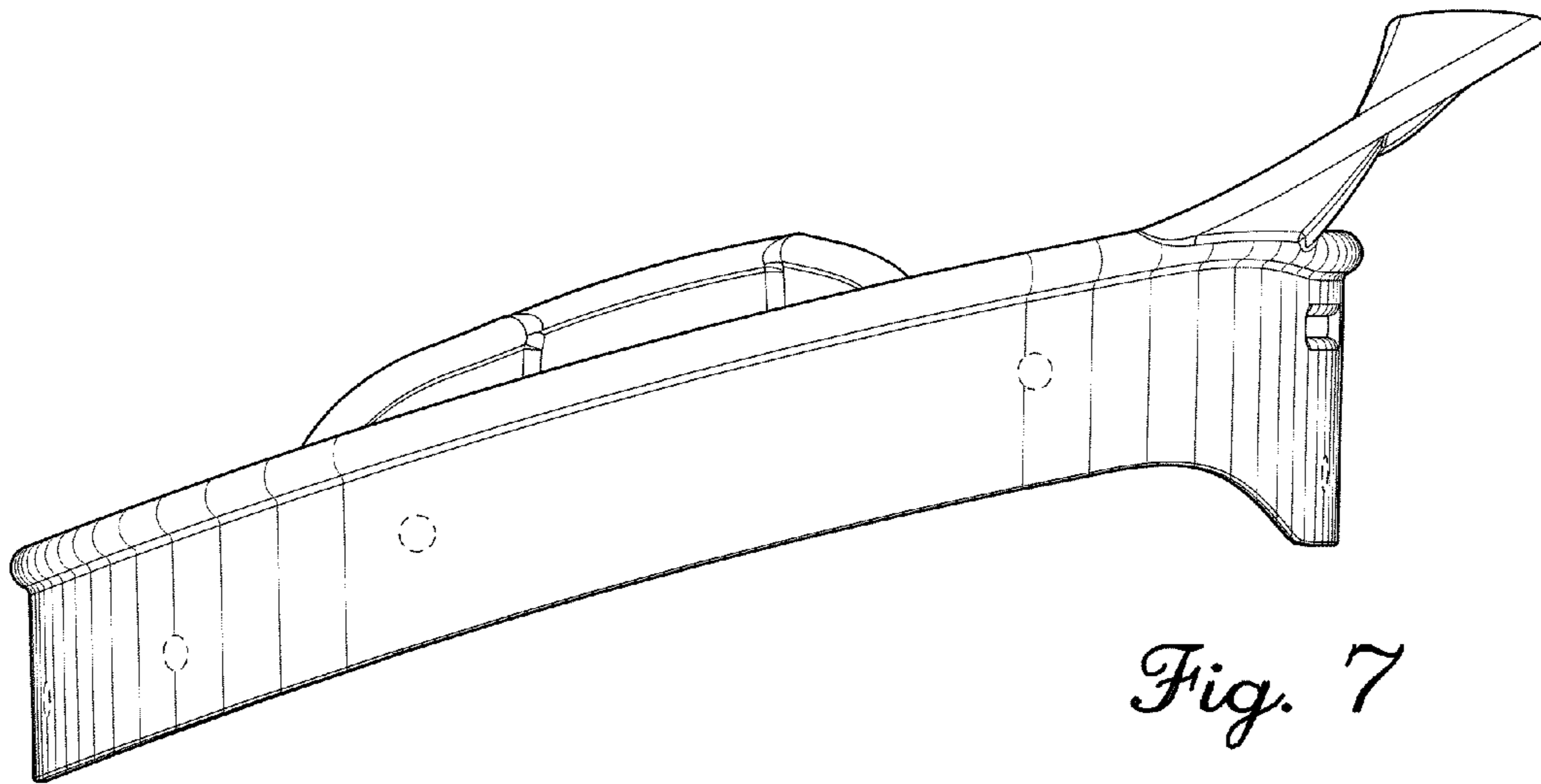




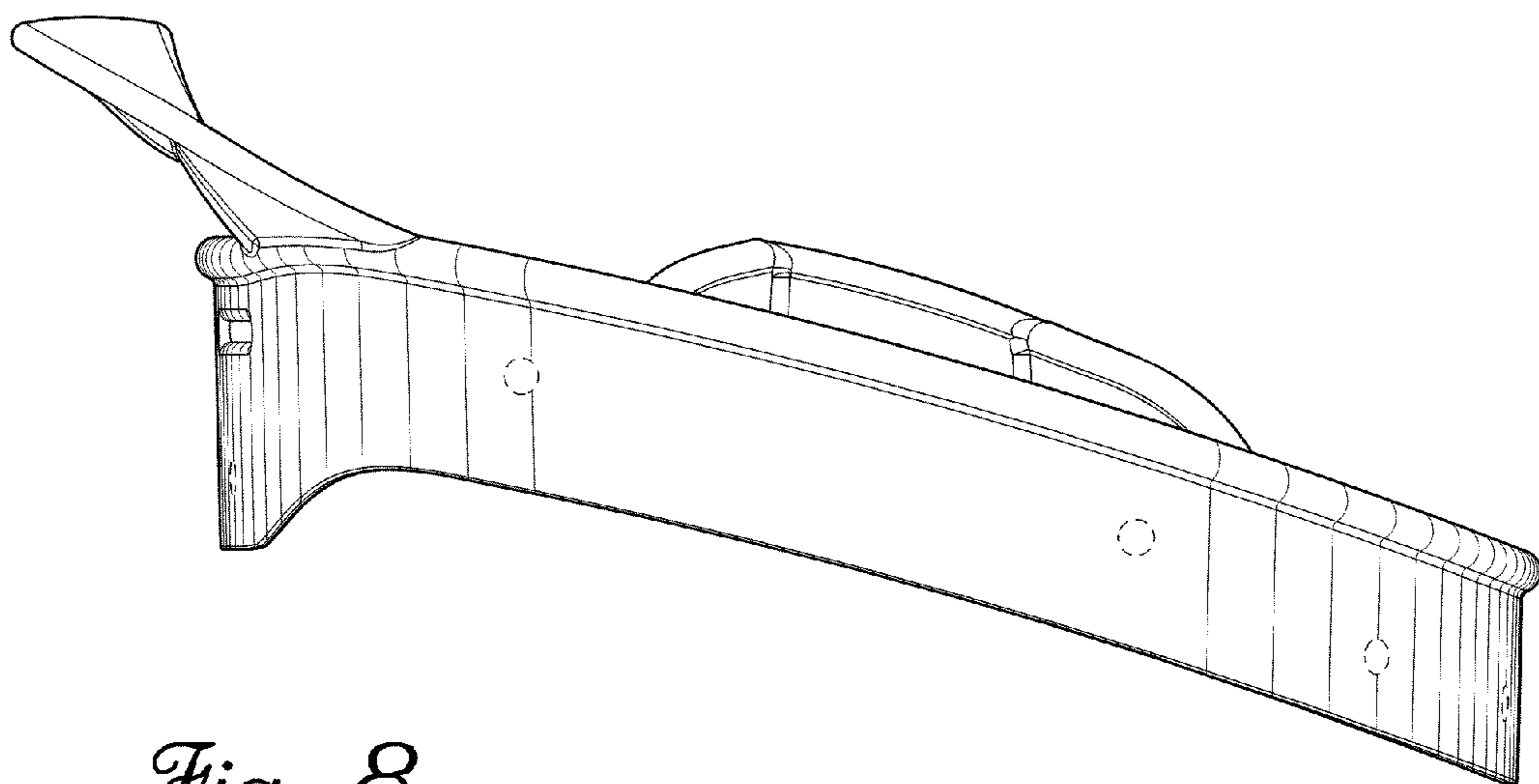
*Fig. 5*



*Fig. 6*



*Fig. 7*



*Fig. 8*