



US00D649353S

(12) **United States Design Patent**
Loudenslager et al.

(10) **Patent No.:** **US D649,353 S**
(45) **Date of Patent:** **** Nov. 29, 2011**

(54) **GOLF BAG TOP**

(75) Inventors: **John H. Loudenslager**, Phoenix, AZ
(US); **Brian J. McGuire**, Phoenix, AZ
(US)

(73) Assignee: **Karsten Manufacturing Corporation**,
Phoenix, AZ (US)

(**) Term: **14 Years**

(21) Appl. No.: **29/386,562**

(22) Filed: **Mar. 2, 2011**

(51) **LOC (9) Cl.** **03-01**

(52) **U.S. Cl.** **D3/320**

(58) **Field of Classification Search** D3/318-321,
D3/328, 328.1, 255; 150/159, 160;
266/315.2-315.8, 315.11; 280/DIG. 6; 473/287;
211/70.2

See application file for complete search history.

(56) **References Cited**

U.S. PATENT DOCUMENTS

D118,815 S	2/1940	Ferguson	
3,331,419 A	7/1967	Bencrisutto	
4,596,328 A	6/1986	Solheim	
4,600,100 A	7/1986	Solheim	
4,667,820 A	5/1987	Solheim	
4,834,235 A	5/1989	Solheim	
4,844,253 A	7/1989	Reimers	
D308,441 S	6/1990	Quellais	
5,099,990 A	3/1992	Antonious	
D331,660 S *	12/1992	Souhrada et al.	D3/255
5,431,278 A	7/1995	Gretz	
5,450,955 A	9/1995	Olson	
D364,737 S *	12/1995	Perrin	D3/255
D372,362 S	8/1996	Bryant	
D373,667 S	9/1996	Hunsaker	
5,638,954 A *	6/1997	Hsien	206/315.8
D382,406 S	8/1997	Kim	
D382,707 S	8/1997	Wang	
D385,113 S	10/1997	Beck	

D385,114 S	10/1997	Su	
D389,311 S	1/1998	Wang	
D389,650 S	1/1998	Rhee	
5,725,095 A	3/1998	Beck	
D402,469 S	12/1998	Suk	
D406,459 S	3/1999	Sundara	
D412,789 S *	8/1999	Suk	D3/320
5,941,383 A	8/1999	Chen	
D421,839 S	3/2000	Beck	
D422,789 S	4/2000	Sundara	
D422,791 S	4/2000	Han	
D429,416 S	8/2000	Heidenreich	

(Continued)

OTHER PUBLICATIONS

John H. Loudenslager, et al., "Golf Bag Top," U.S. Appl. No. 29/386,566, filed Feb. 2, 2011.

(Continued)

Primary Examiner — Robert M Spear
Assistant Examiner — Rashida C McCoy

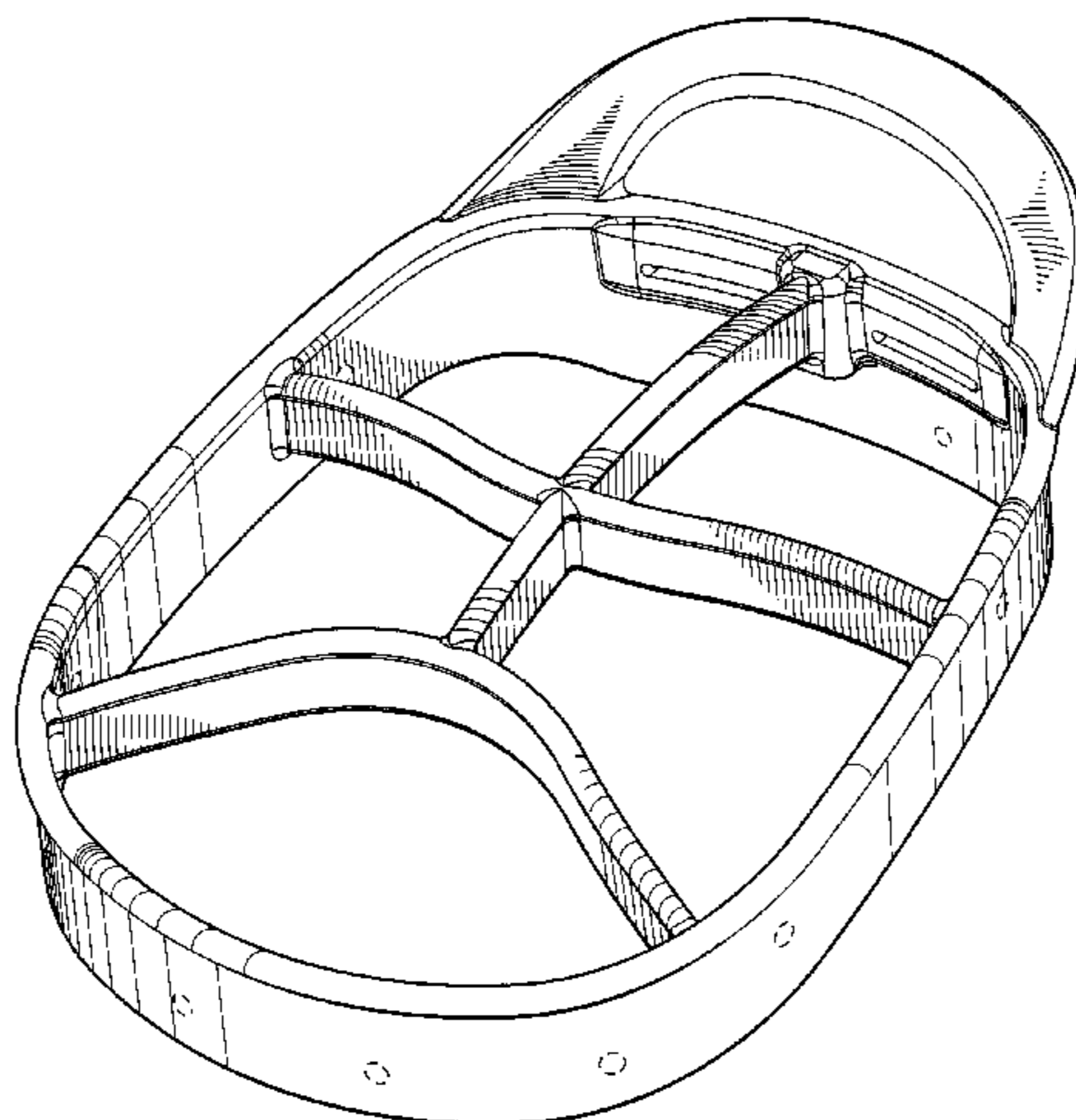
(57) **CLAIM**

The ornamental design for a golf bag top, as shown and described.

DESCRIPTION

FIG. 1 is a top perspective view of a golf bag top;
FIG. 2 is a bottom perspective view of the golf bag top of FIG. 1;
FIG. 3 is a top view of the golf bag top of FIG. 1;
FIG. 4 is a bottom view of the golf bag top of FIG. 1;
FIG. 5 is a rear view of the golf bag top of FIG. 1;
FIG. 6 is a front view of the golf bag top of FIG. 1;
FIG. 7 is a left view of the golf bag top of FIG. 1; and,
FIG. 8 is a right view of the golf bag top of FIG. 1.
The broken lines shown in one or more of the figures are for illustrative purposes only and form no part of the claimed design.

1 Claim, 6 Drawing Sheets



US D649,353 S

Page 2

U.S. PATENT DOCUMENTS

6,148,998	A	11/2000	Tan	D537,252	S	2/2007	Vosloo
D434,905	S	12/2000	Ryan	D537,634	S	3/2007	Renahan
6,199,690	B1	3/2001	Shin	D538,042	S	3/2007	Suggs
D454,249	S	3/2002	Schmidt	7,216,762	B2	5/2007	Chen
6,450,334	B1	9/2002	Chang	D544,210	S	6/2007	McGuire
6,494,416	B2	12/2002	Wang	D546,064	S	7/2007	Vosloo
6,513,653	B1	2/2003	Chen	D546,561	S	7/2007	Vosloo
6,564,936	B1	5/2003	Campbell	D557,501	S	12/2007	Suggs
6,568,527	B1	5/2003	Te-Pin	D557,502	S	12/2007	Quartarone, III
D478,422	S	8/2003	Chen	D566,398	S	4/2008	Hooley
D487,543	S	3/2004	Chang	D566,965	S	4/2008	Hooley
6,726,009	B1	4/2004	Larson	D566,966	S	4/2008	Hooley
D493,620	S	8/2004	Reimers	7,357,251	B2	4/2008	Vosloo
D494,761	S	8/2004	Gray	D577,916	S	10/2008	Quartarone, III
6,817,469	B2	11/2004	Chang	D580,656	S	11/2008	Quartarone, III
D501,604	S	2/2005	Kadoya	7,494,009	B2*	2/2009	Shiao 206/315.7
6,877,604	B2	4/2005	Pratt	D613,063	S	4/2010	Quartarone, III
D512,838	S	12/2005	Schmidt	D613,064	S	4/2010	Quartarone, III
D513,125	S	12/2005	Anderson	D613,065	S	4/2010	McGuire
D513,876	S	1/2006	Solheim	D613,066	S	4/2010	McGuire
D513,877	S	1/2006	Solheim	7,909,215	B2	3/2011	McGuire
D513,878	S	1/2006	Anderson	2001/0025802	A1	10/2001	Sutter
D515,316	S	2/2006	Chang	2002/0179466	A1	12/2002	Maeng
D517,808	S	3/2006	Reimers	2002/0189962	A1	12/2002	Chen
7,014,040	B2	3/2006	Anderson	2003/0146120	A1*	8/2003	Chi 206/315.5
D520,751	S	5/2006	Chang	2004/0211688	A1	10/2004	Doss
D520,752	S	5/2006	Solheim	2005/0092630	A1	5/2005	Chen
D522,754	S	6/2006	Anderson				
D523,639	S	6/2006	Vosloo				
D523,640	S	6/2006	Vosloo				
D525,034	S	7/2006	Vosloo				
D530,922	S	10/2006	Anderson				
7,124,887	B2	10/2006	Reimers				
D534,355	S	1/2007	Renahan				

OTHER PUBLICATIONS

John H. Loudenslager, et al., "Golf Bag Top," U.S. Appl. No. 29/386,569, filed Feb. 2, 2011.
John H. Loudenslager, et al., "Golf Bag Top," U.S. Appl. No. 29/387,870, filed Mar. 18, 2011.

* cited by examiner

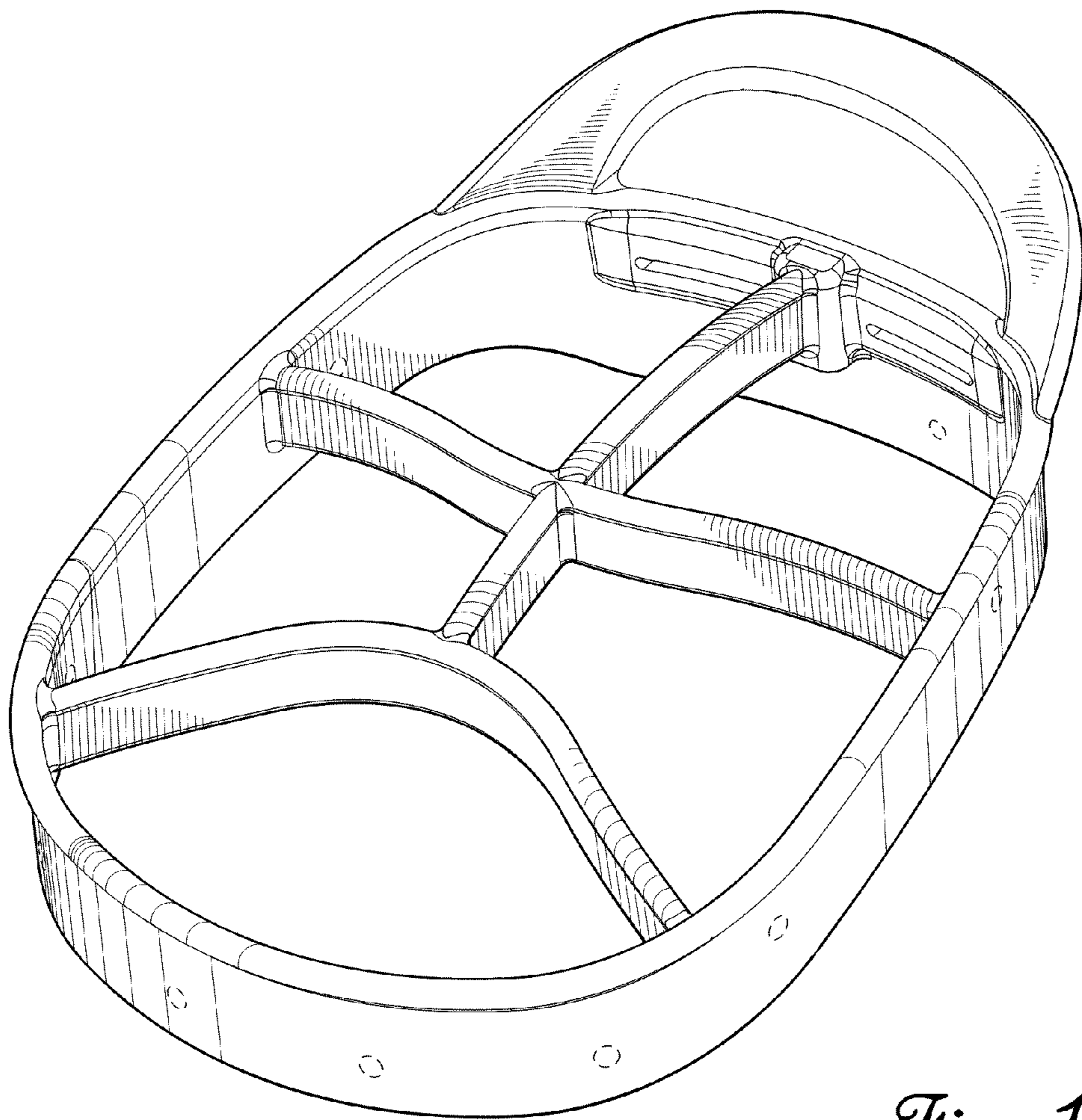


Fig. 1

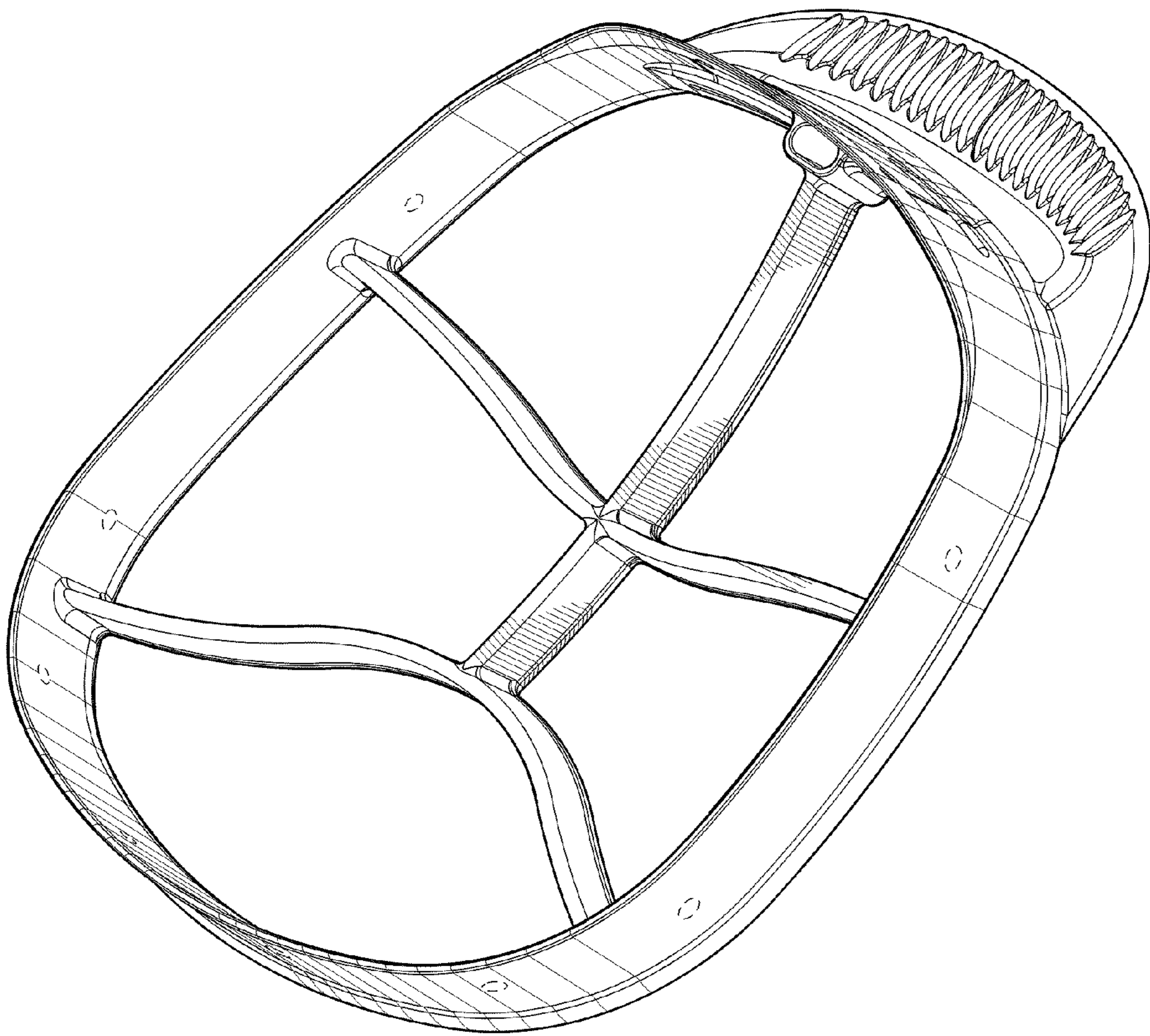


Fig. 2

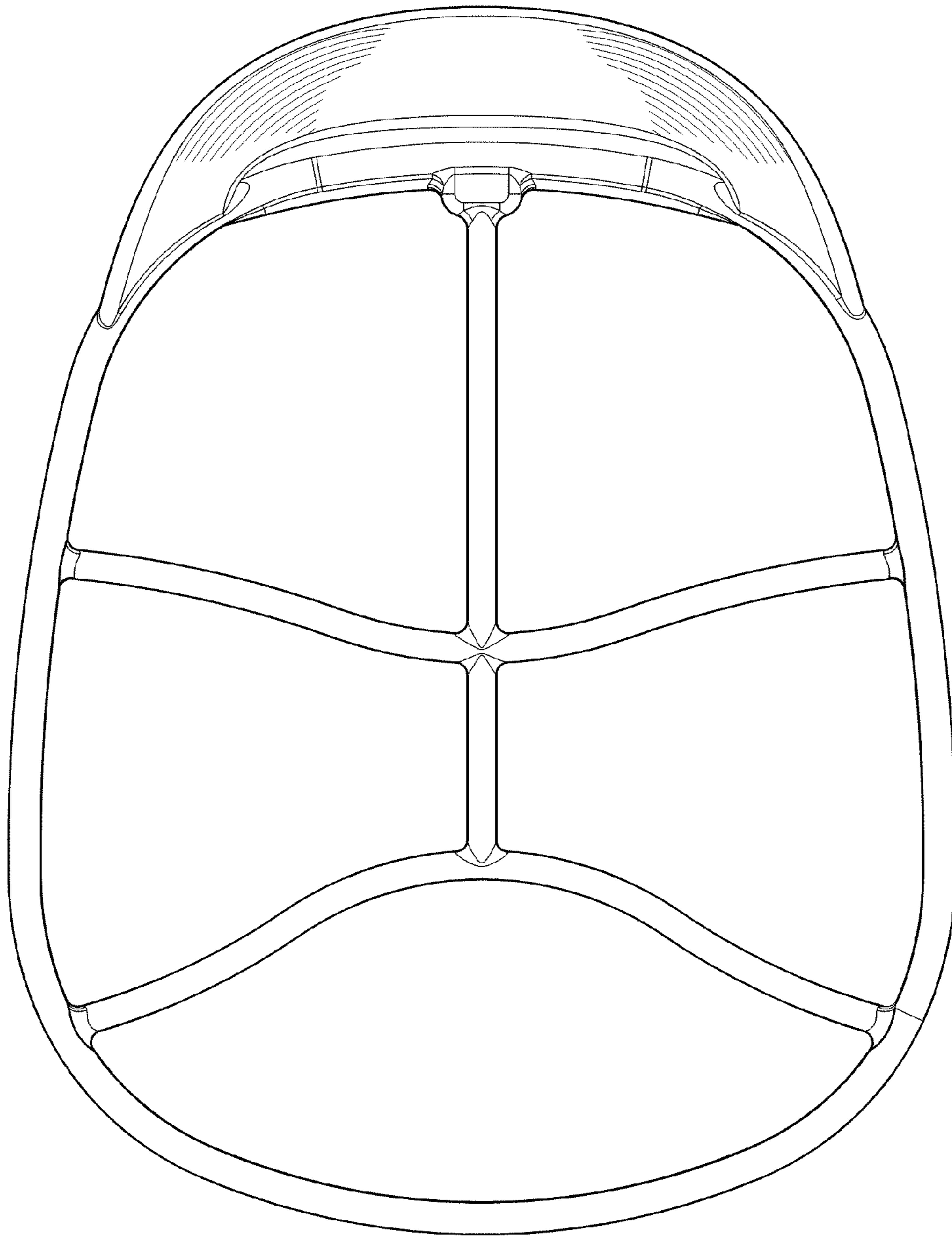


Fig. 3

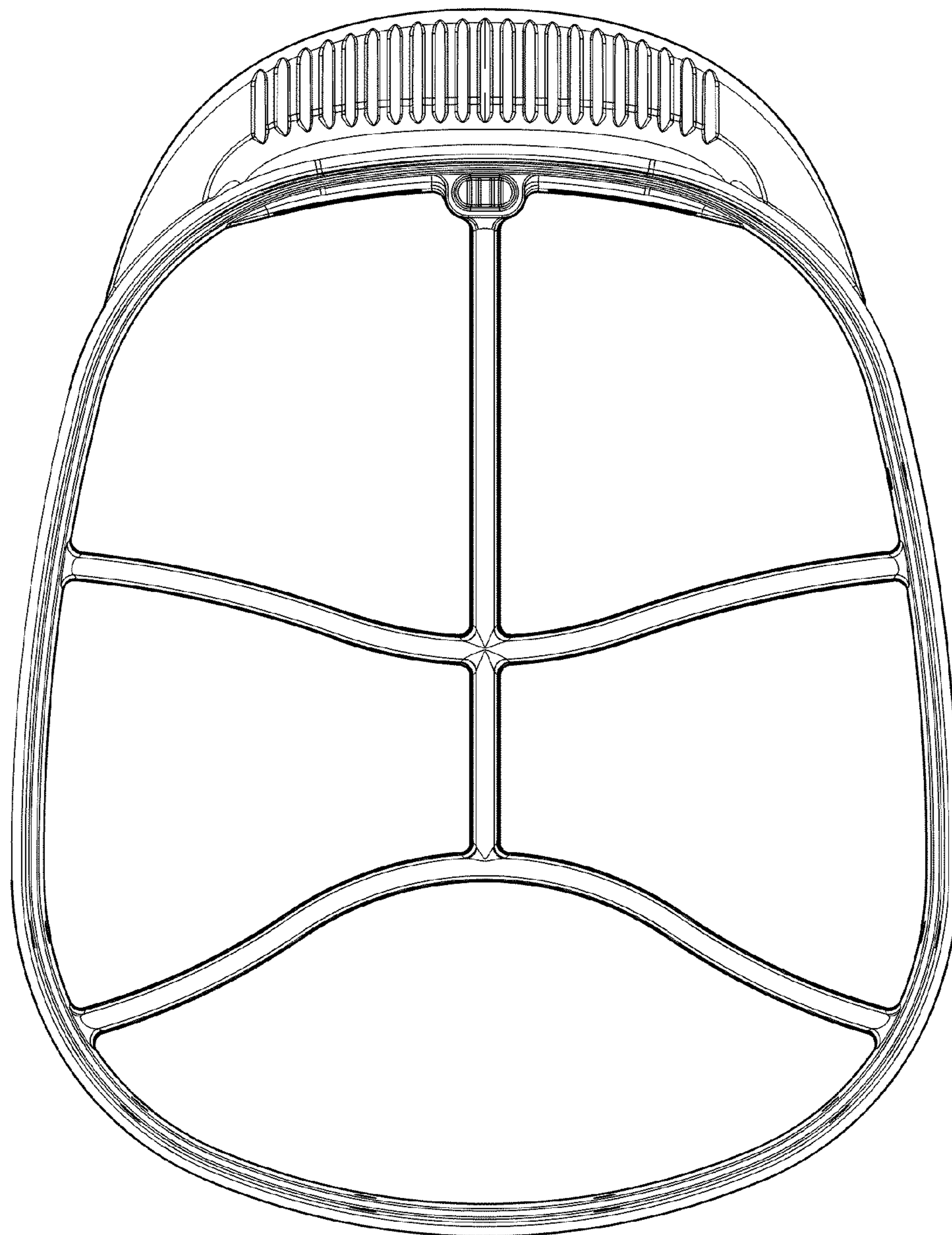


Fig. 4

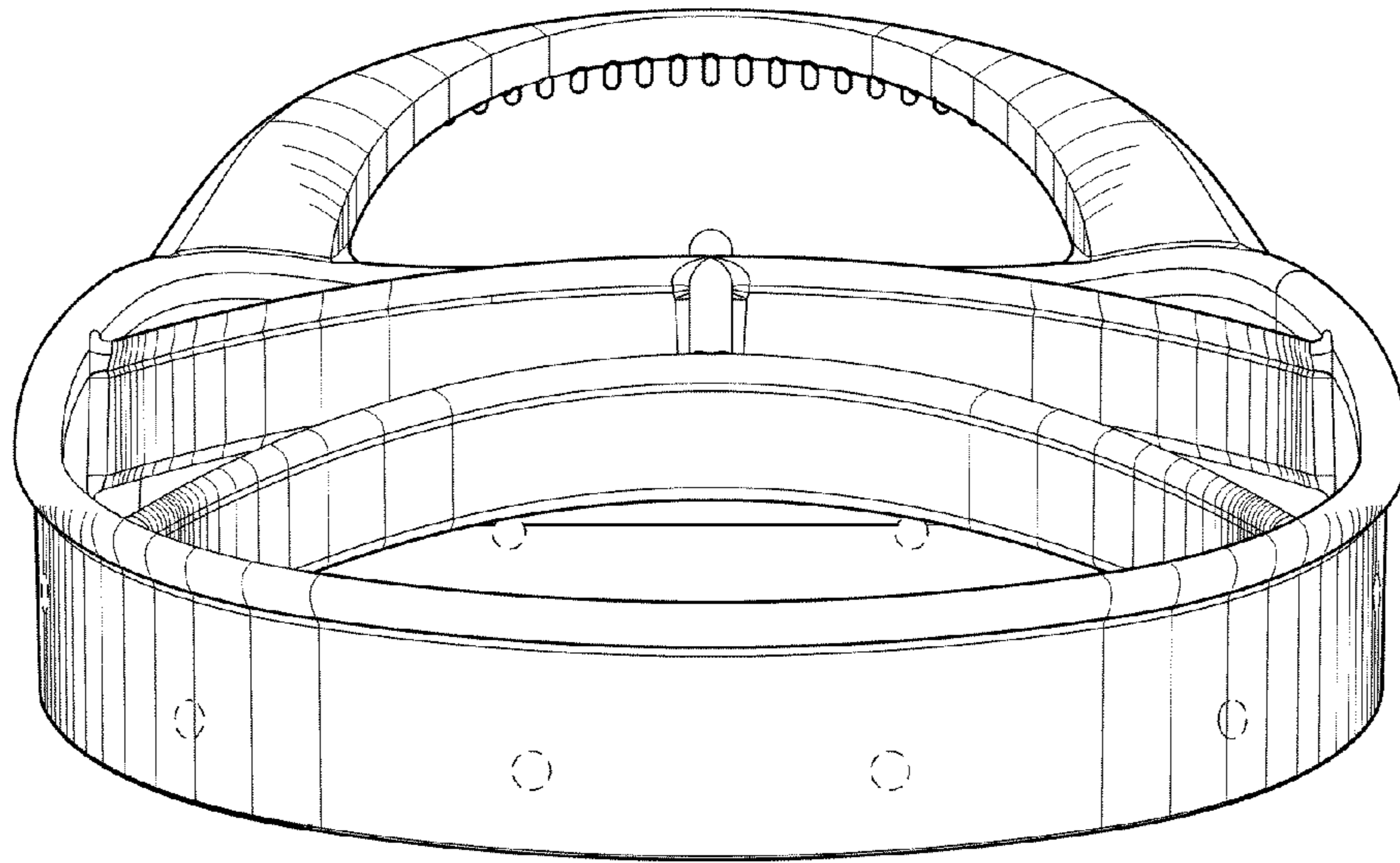


Fig. 5

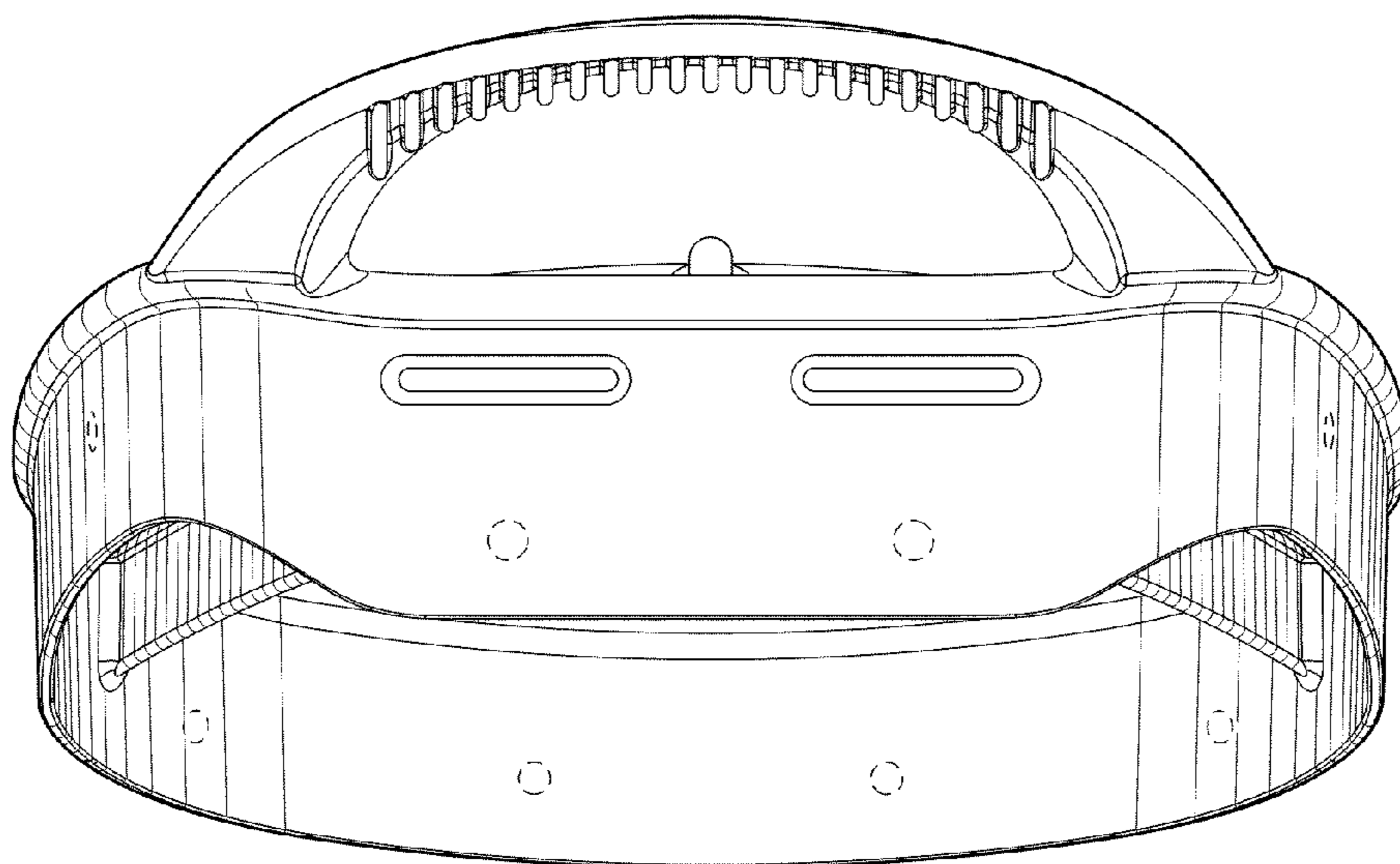


Fig. 6

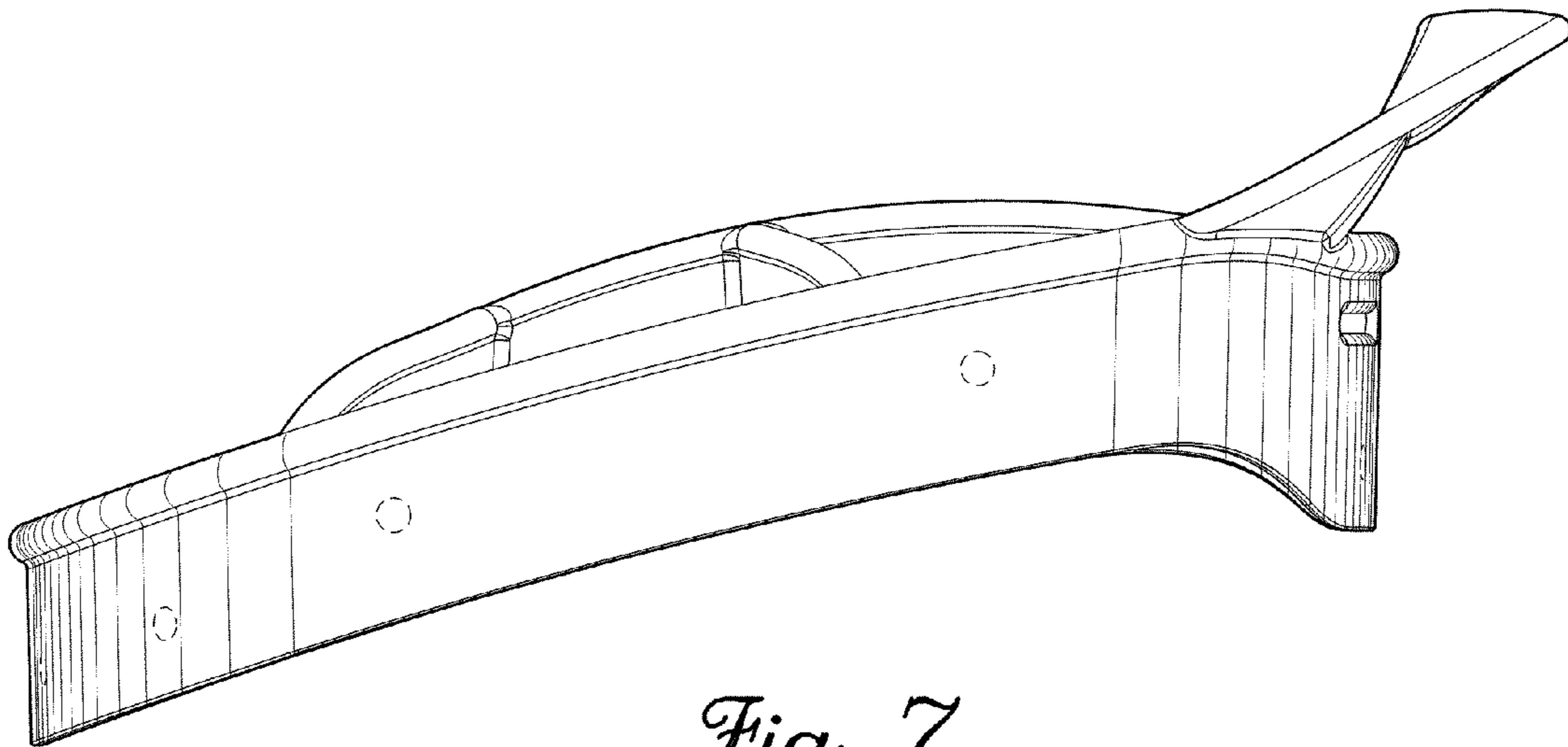


Fig. 7

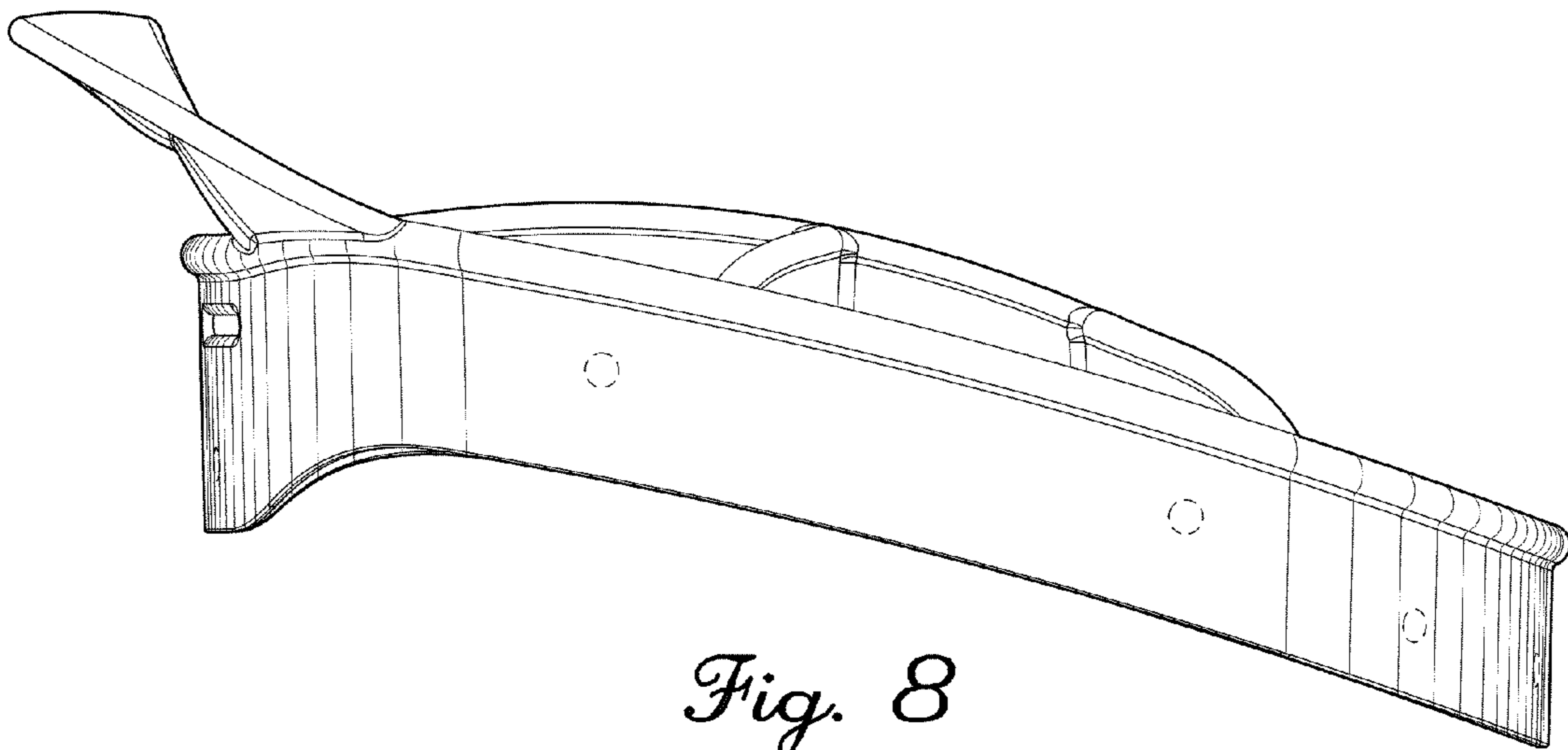


Fig. 8