



US00D649352S

(12) **United States Design Patent**
Cittadino et al.

(10) **Patent No.:** **US D649,352 S**

(45) **Date of Patent:** **** Nov. 29, 2011**

- (54) **TOTE**
- (75) Inventors: **Kyle Cittadino**, Wilmington, DE (US);
Kaveh Didehvar, Hockessin, DE (US);
Joseph Vaccaro, West Chester, PA (US)
- (73) Assignee: **Zenith Products Corporation**, New
Castle, DE (US)
- (**) Term: **14 Years**
- (21) Appl. No.: **29/391,172**
- (22) Filed: **May 4, 2011**
- (51) **LOC (9) Cl.** **03-01**
- (52) **U.S. Cl.** **D3/306**
- (58) **Field of Classification Search** D3/201,
D3/232-233, 245-246, 304, 306-309, 315;
150/100, 107, 110, 127-128; 224/158, 575;
220/761, 763, 773, 776
See application file for complete search history.

- D517,806 S * 3/2006 Charuwongkhachton D3/305
- 7,186,050 B2 3/2007 Dean et al.
- D542,058 S 5/2007 Clucas
- D542,536 S 5/2007 Gialanella
- D553,361 S * 10/2007 Splain et al. D3/304
- D556,476 S 12/2007 Butler et al.
- D559,023 S 1/2008 Reichert
- D580,194 S 11/2008 Lambert et al.
- 7,459,636 B2 12/2008 Conrad
- D588,840 S 3/2009 Dretzka
- D614,888 S 5/2010 Sexton
- D616,202 S * 5/2010 Whitlock et al. D3/306
- D624,754 S * 10/2010 van Wijk et al. D3/308
- D635,769 S * 4/2011 Sosnovsky D3/304
- D636,606 S * 4/2011 Wang D5/47
- D637,000 S * 5/2011 Goodman et al. D3/306
- 2007/0284326 A1 12/2007 Baloun
- 2008/0203042 A1 8/2008 Felsenthal

* cited by examiner

Primary Examiner — Elizabeth Albert
Assistant Examiner — Kelley Donnelly
 (74) *Attorney, Agent, or Firm* — Panitch Schwarze Belisario
 & Nadel LLP

(56) **References Cited**

U.S. PATENT DOCUMENTS

- 3,938,872 A 2/1976 Hagerman
- 4,494,661 A 1/1985 Krusche
- 4,671,415 A 6/1987 Manhart
- D292,764 S 11/1987 Kester
- 4,811,996 A 3/1989 Hansson
- 5,294,008 A 3/1994 Dunaway
- 5,390,800 A 2/1995 Tucker
- D376,231 S * 12/1996 McLain D32/37
- 5,601,198 A 2/1997 Reed
- D395,362 S * 6/1998 Fink et al. D3/307
- 5,791,501 A 8/1998 Baldwin, Jr.
- D431,109 S * 9/2000 Lacy et al. D3/306
- D463,123 S * 9/2002 Hradisky D3/306
- D469,610 S * 2/2003 Corp et al. D3/306
- D474,603 S * 5/2003 Berenguer D3/307
- D485,092 S 1/2004 Rosen
- 6,726,038 B2 4/2004 Ko
- D508,322 S * 8/2005 Horst D3/315

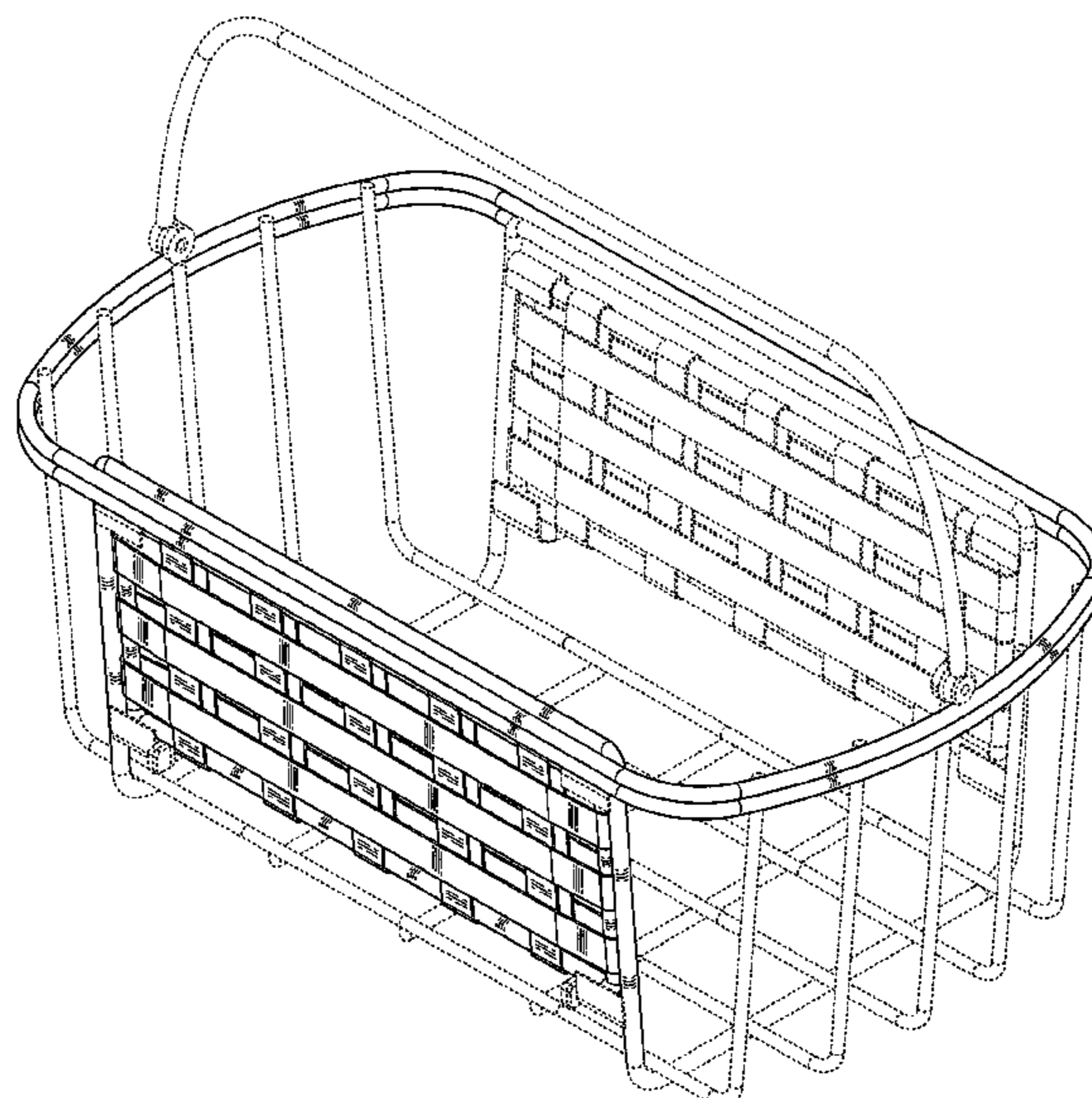
(57) **CLAIM**

The ornamental design for a tote, as shown and described.

DESCRIPTION

FIG. 1 is a perspective view of a tote in accordance with our new design;
 FIG. 2 is a front elevation view thereof, wherein the rear elevation view is identical save for the depiction of certain elastic mesh shown in broken lines;
 FIG. 3 is a left side elevation view thereof, wherein the right side elevation view is identical save for the reversal of the elastic mesh shown in broken lines; and,
 FIG. 4 is a top plan view thereof.
 The broken lines showing in FIGS. 1-4 is included for the purpose of illustrating environment of the design and forms no part of the claimed design.

1 Claim, 4 Drawing Sheets



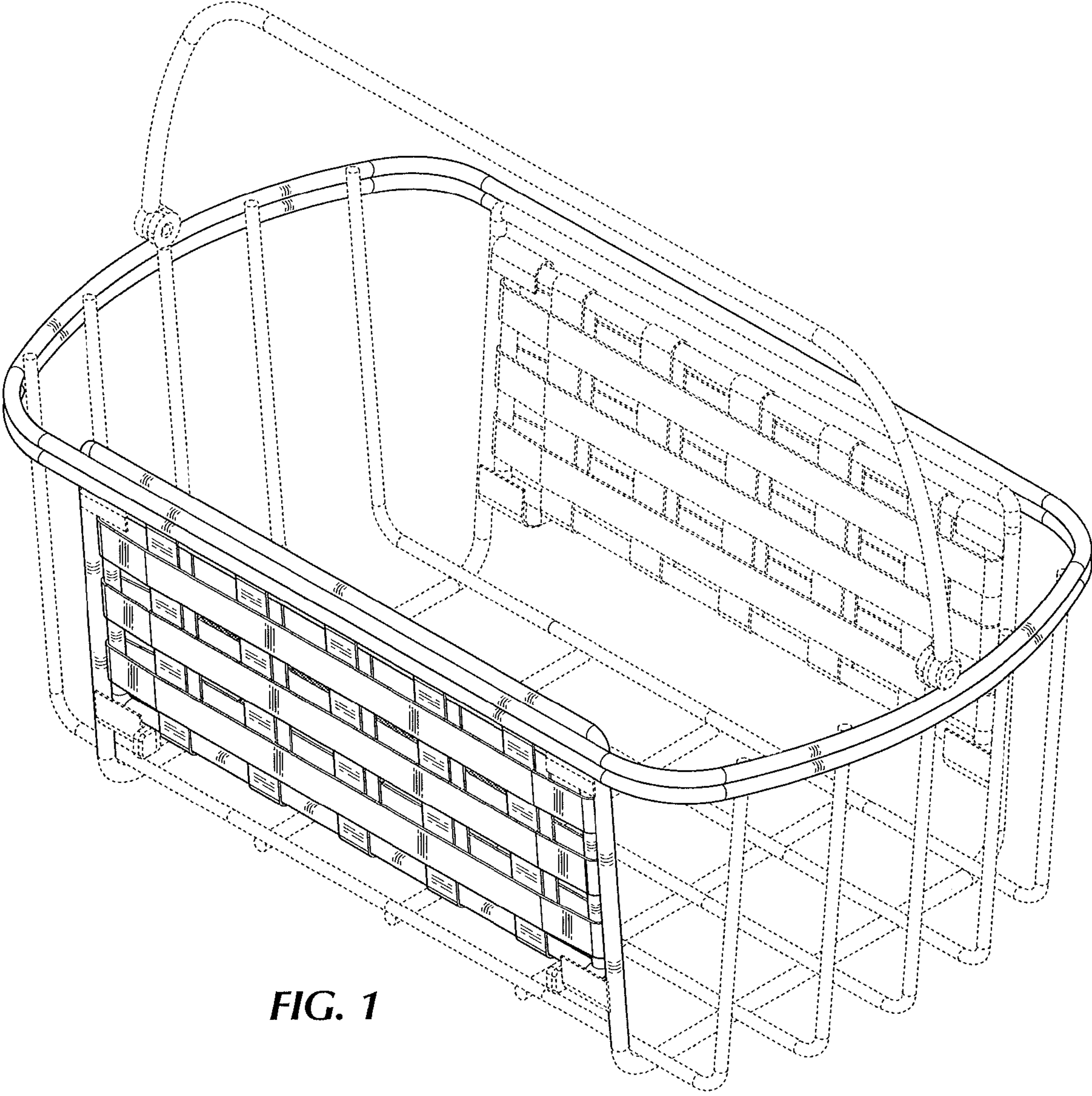


FIG. 1

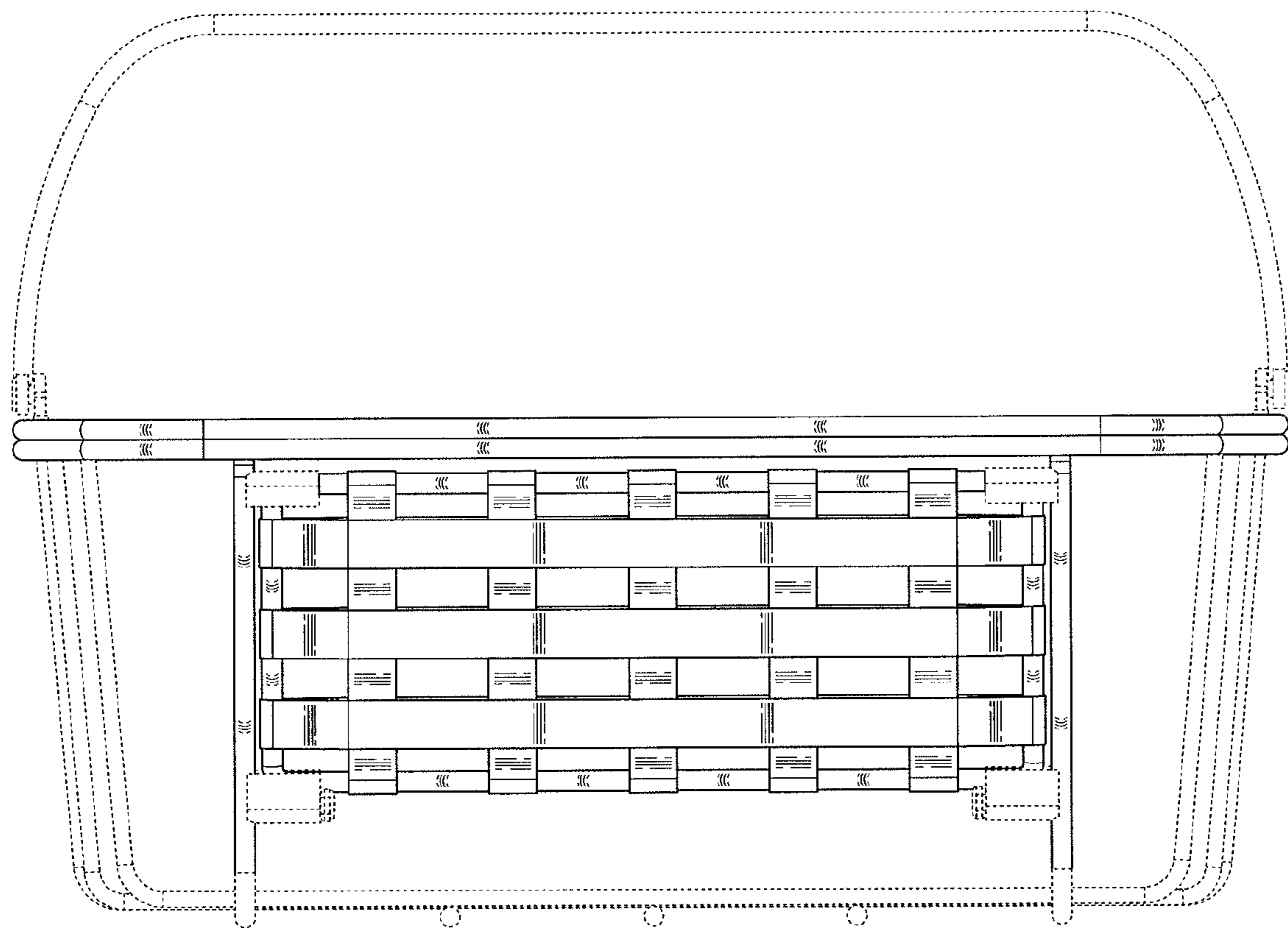


FIG. 2

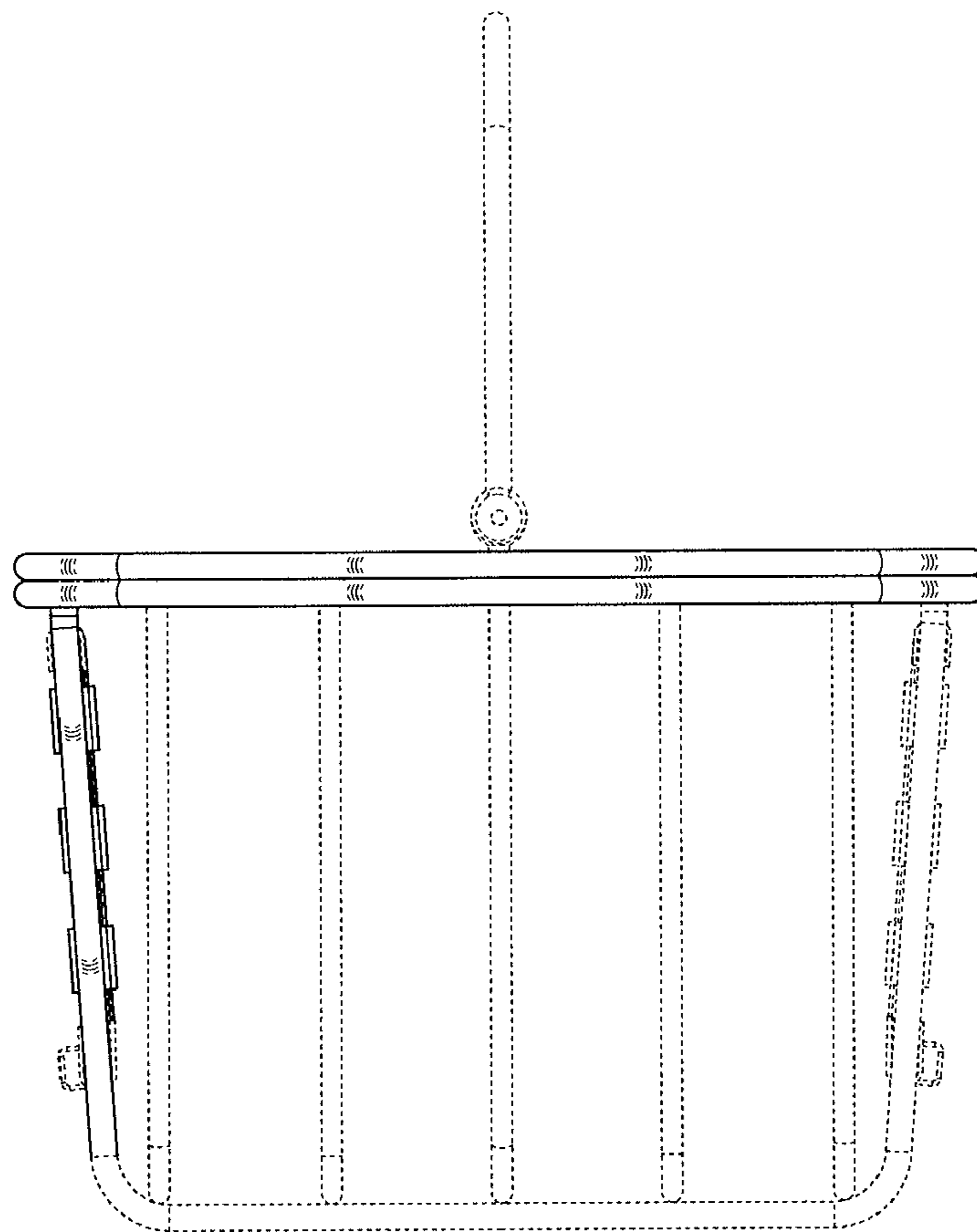


FIG. 3

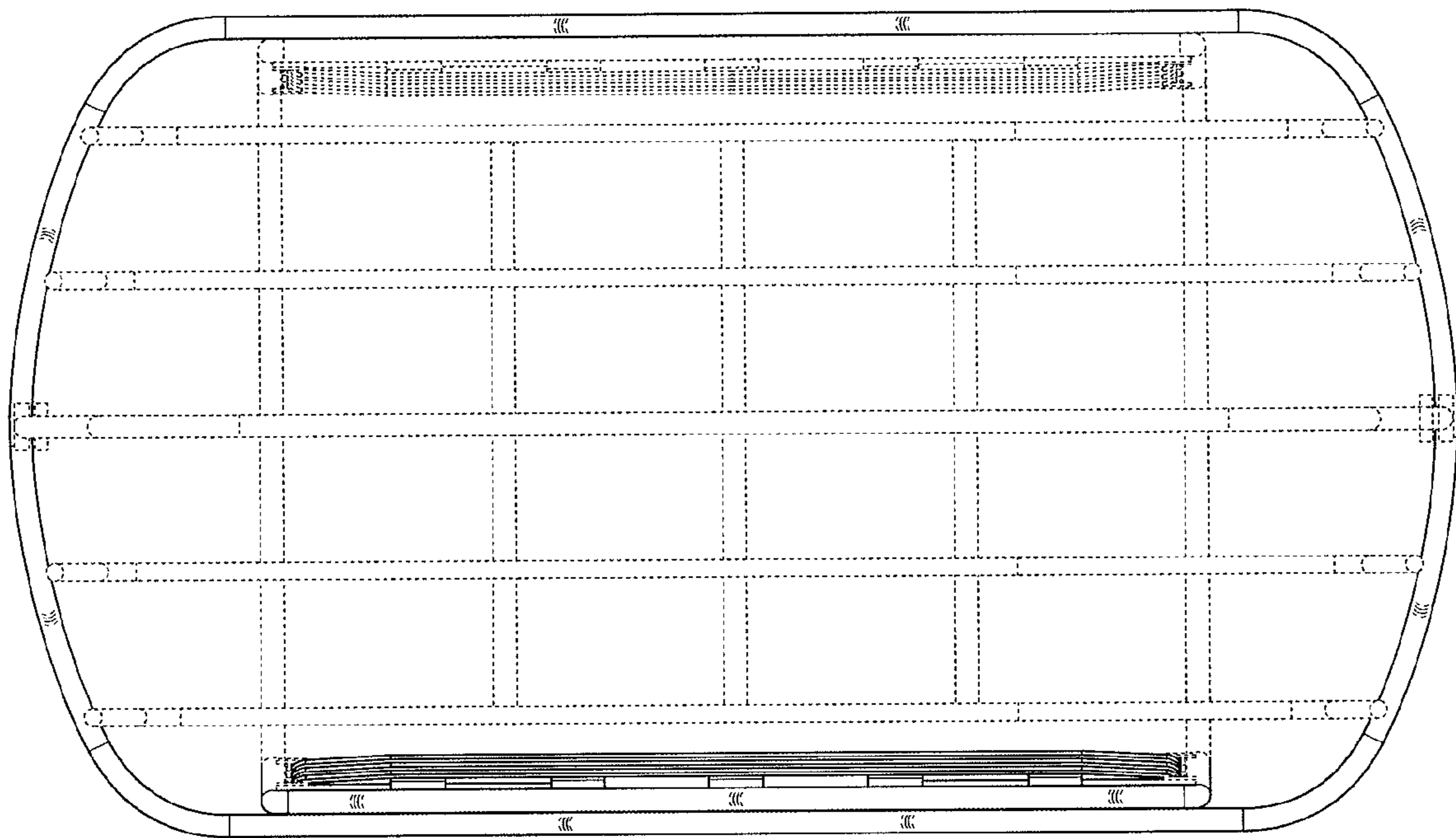


FIG. 4