



US00D649351S

(12) **United States Design Patent**
Willi

(10) **Patent No.:** **US D649,351 S**

(45) **Date of Patent:** **** Nov. 29, 2011**

(54) **LUGGAGE**

(76) Inventor: **Christoph Willi, Au (CH)**

(**) Term: **14 Years**

(21) Appl. No.: **29/372,877**

(22) Filed: **Jan. 27, 2011**

(30) **Foreign Application Priority Data**

Aug. 5, 2010 (WO) DM/074 065

(51) **LOC (9) Cl.** **03-01**

(52) **U.S. Cl.** **D3/284**

(58) **Field of Classification Search** 190/19,
190/21, 36, 100, 108, 109, 110, 111, 112,
190/113, 114, 115, 117; 224/582; D3/272,
D3/273, 276, 280, 283-289

See application file for complete search history.

(56) **References Cited**

U.S. PATENT DOCUMENTS

6,520,327 B1 * 2/2003 Boardman et al. 190/108

6,637,633 B1 * 10/2003 Eberle 190/111

7,322,477 B2 * 1/2008 Schweitz 190/108
D628,384 S * 12/2010 McCarthy D3/289
2008/0128231 A1 * 6/2008 Newman 190/108

* cited by examiner

Primary Examiner — Jennifer Rivard

(74) *Attorney, Agent, or Firm* — Rankin, Hill & Clark LLP

(57) **CLAIM**

I claim the ornamental design for luggage, as shown and described.

DESCRIPTION

FIG. 1 is a perspective view of luggage embodying my design;

FIG. 2 is a top view thereof;

FIG. 3 is a rear view thereof;

FIG. 4 is a bottom view thereof;

FIG. 5 is left side view thereof;

FIG. 6 is a right side view thereof;

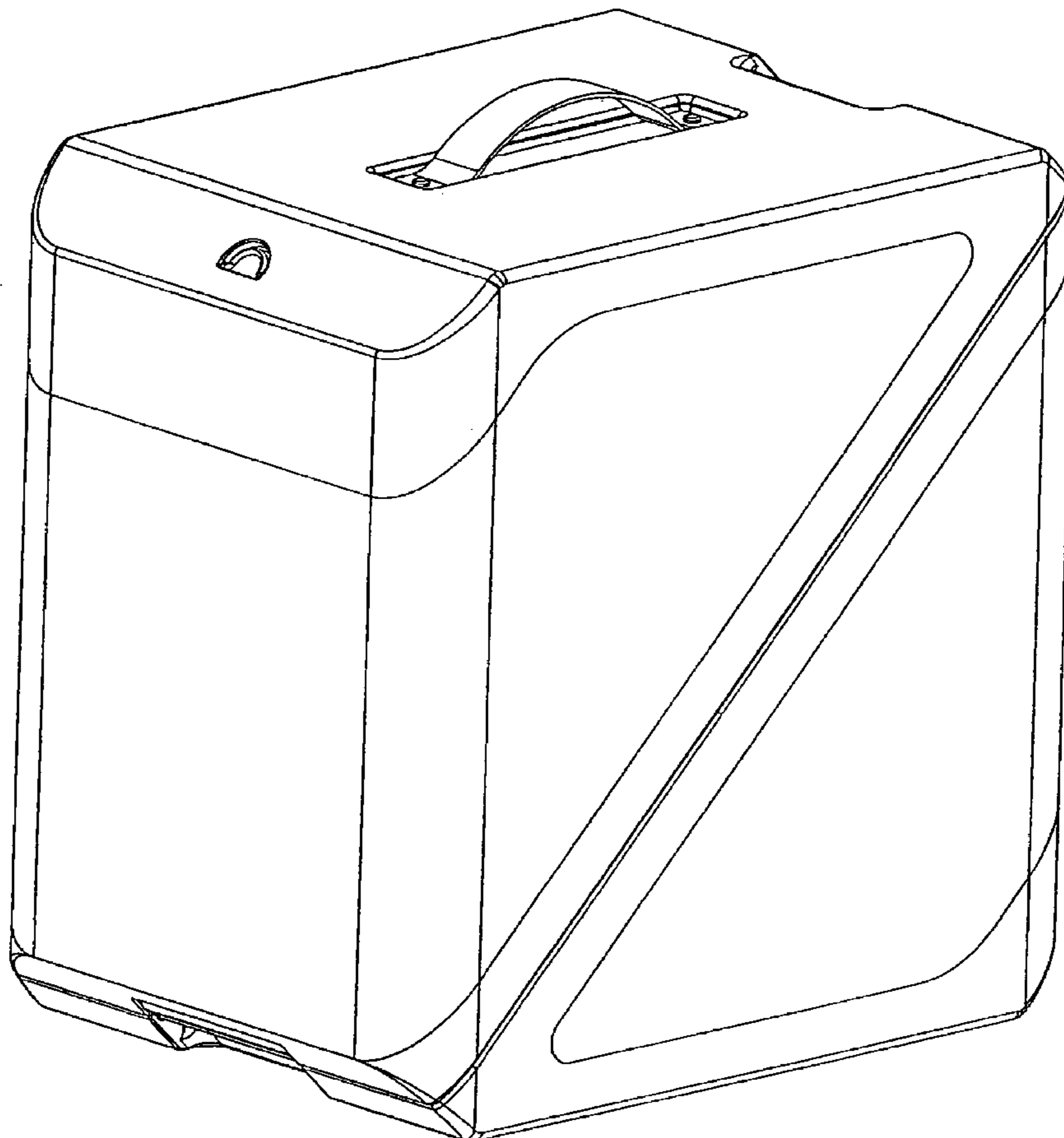
FIG. 7 is a front view thereof;

FIG. 8 is a perspective view of the luggage of FIG. 1, split into two identical halves;

FIG. 9 is a perspective view of one half of the luggage of FIG. 8, with a door in a first, closed position; and,

FIG. 10 is a perspective view of the luggage of FIG. 9 with the door in a second, open position.

1 Claim, 6 Drawing Sheets



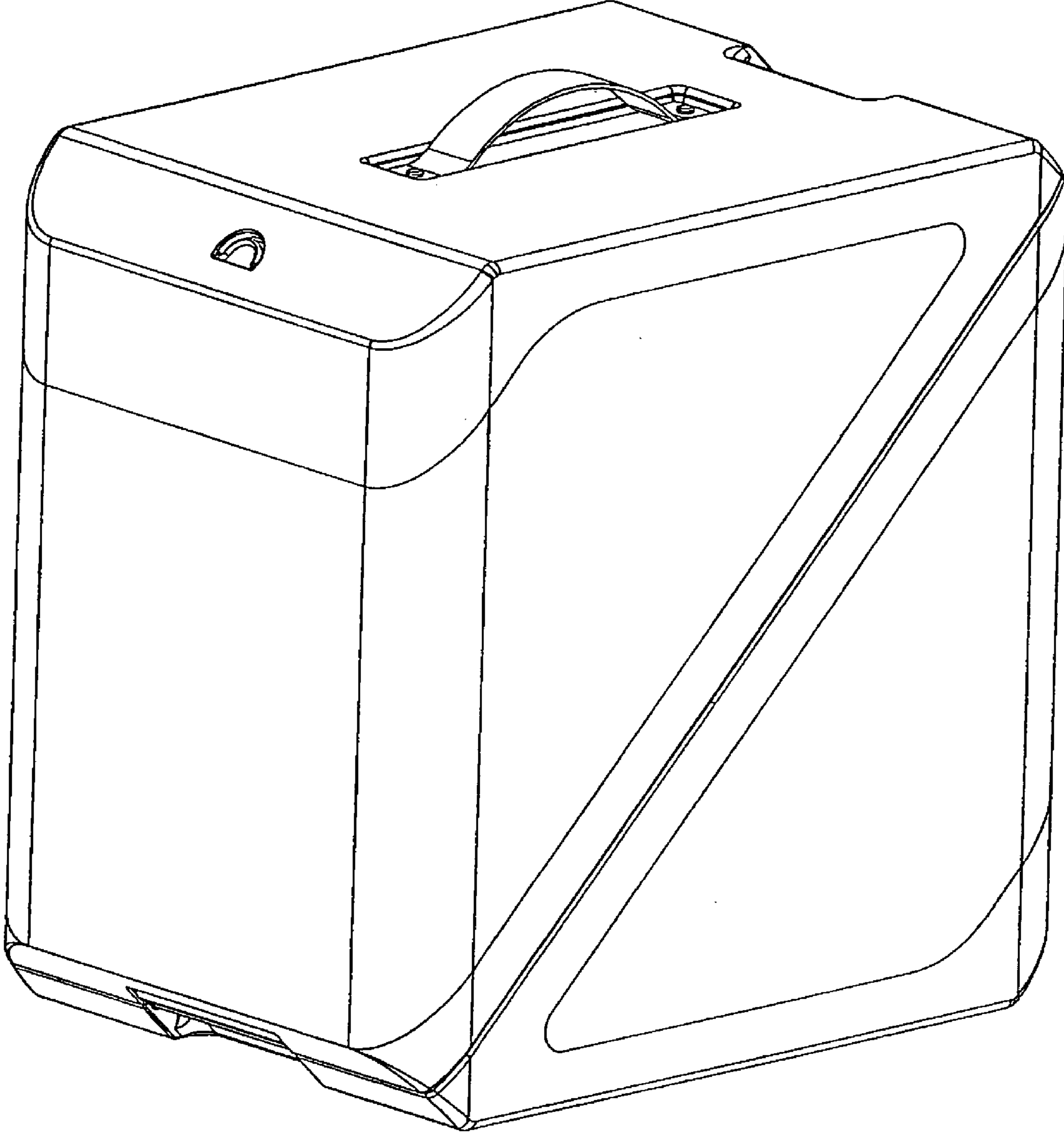


FIG. 1

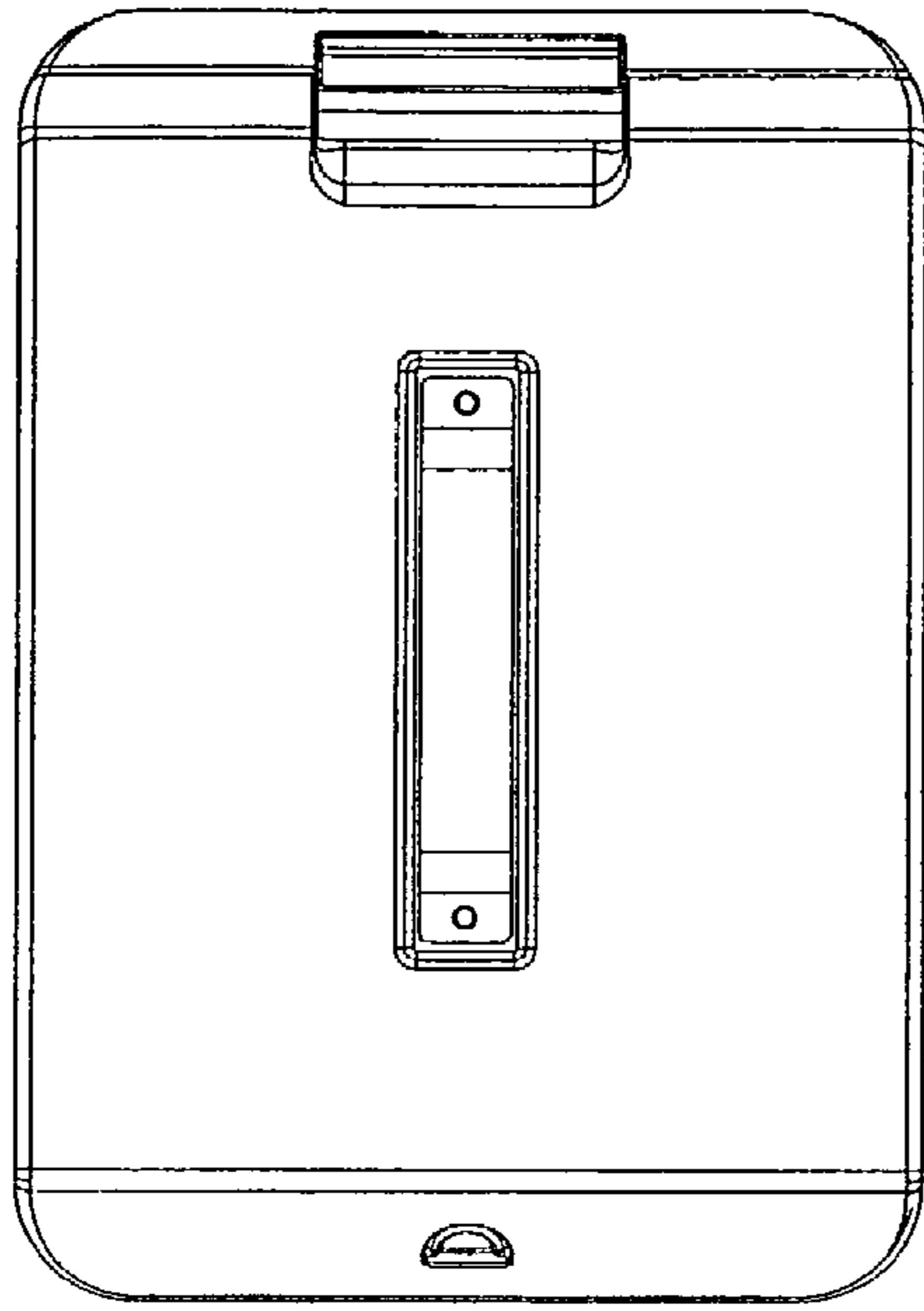


FIG. 2

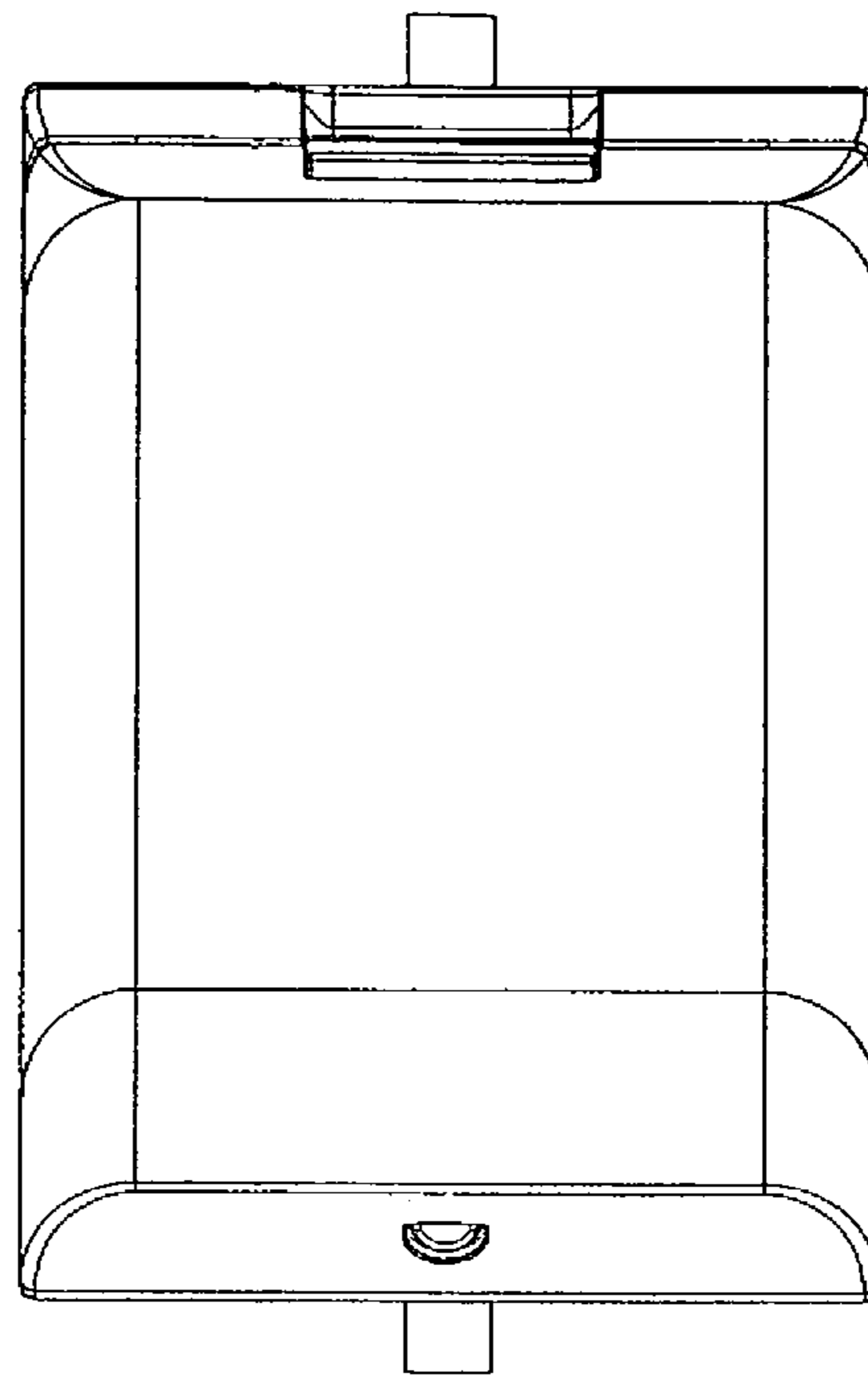


FIG. 3

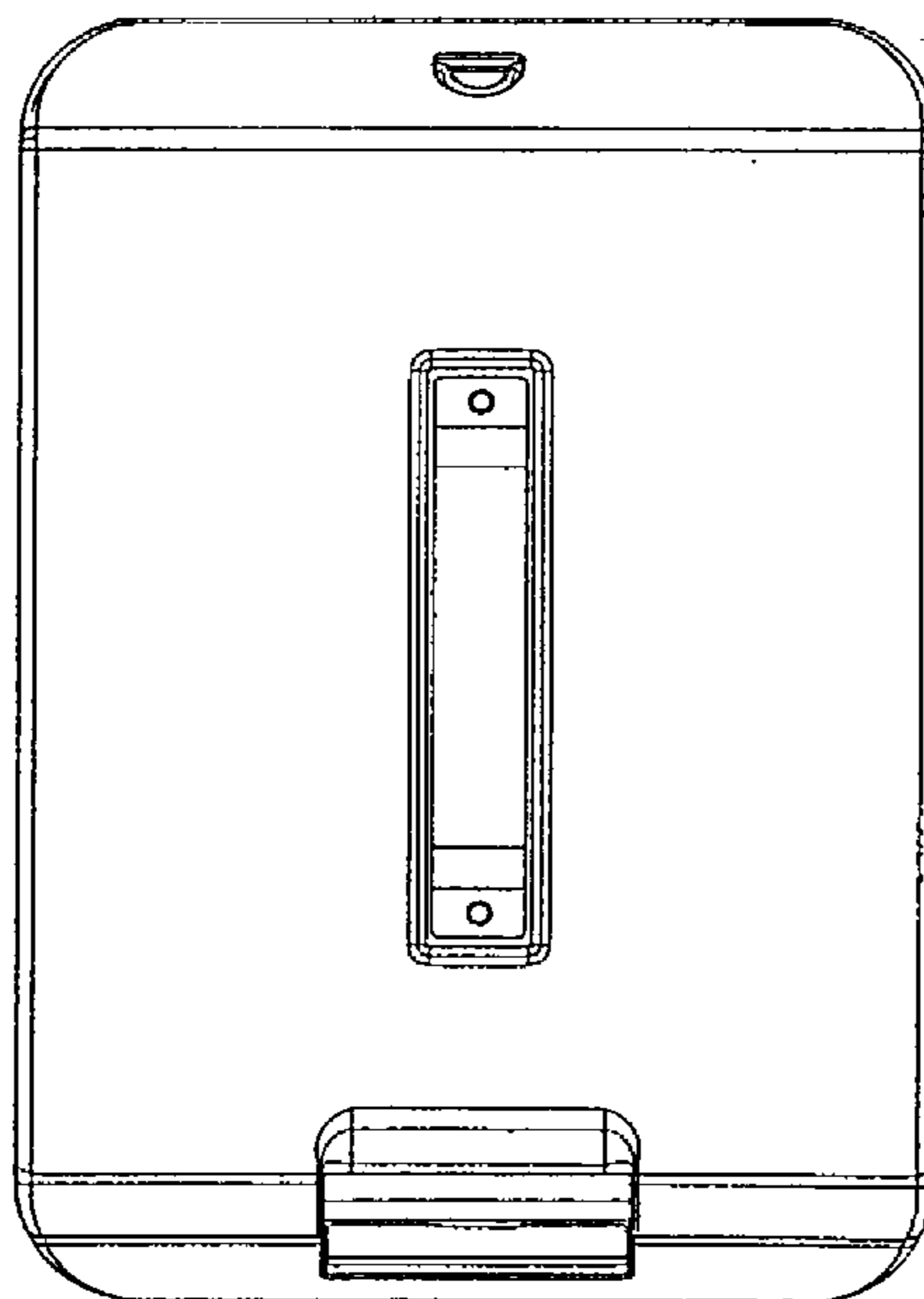


FIG. 4

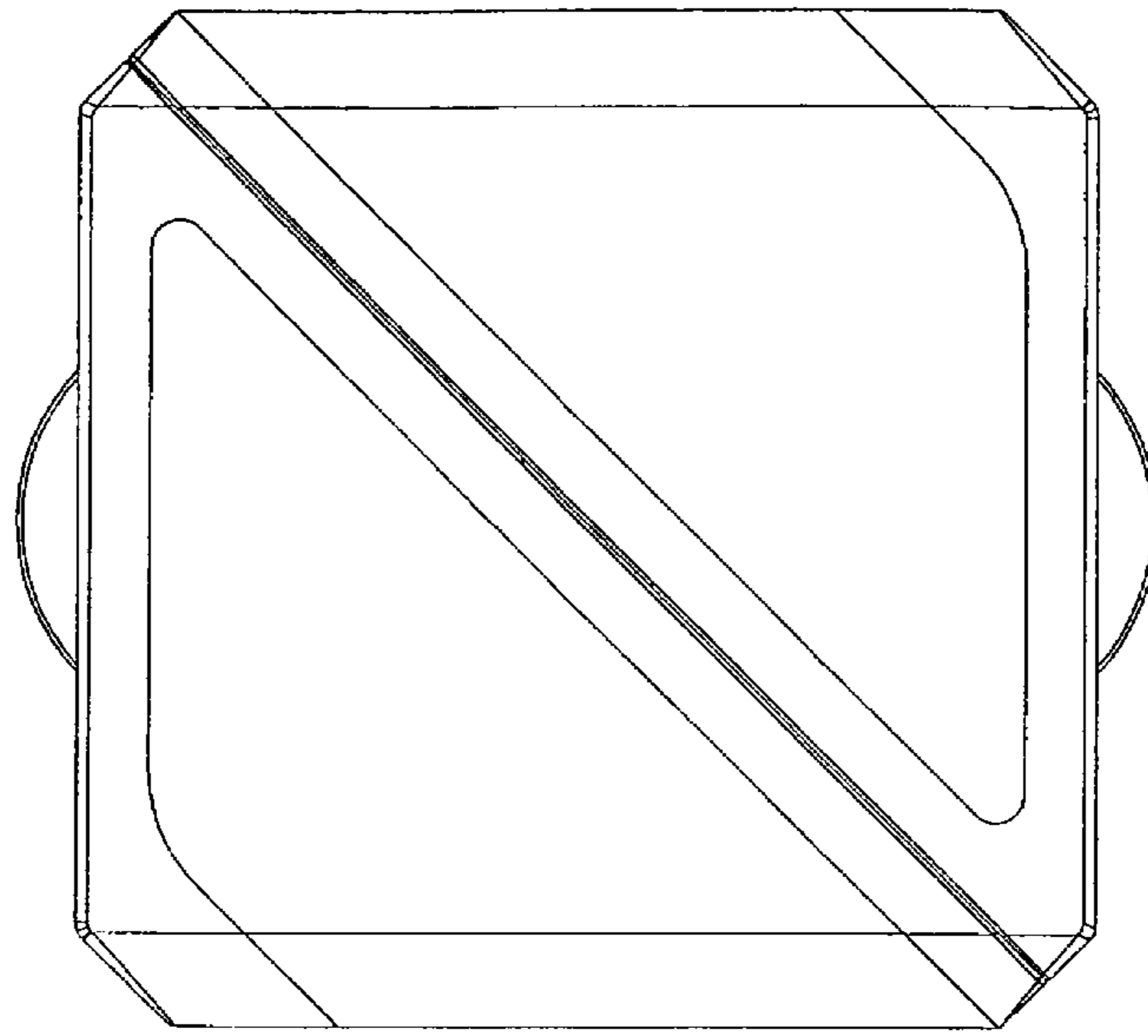


FIG. 5

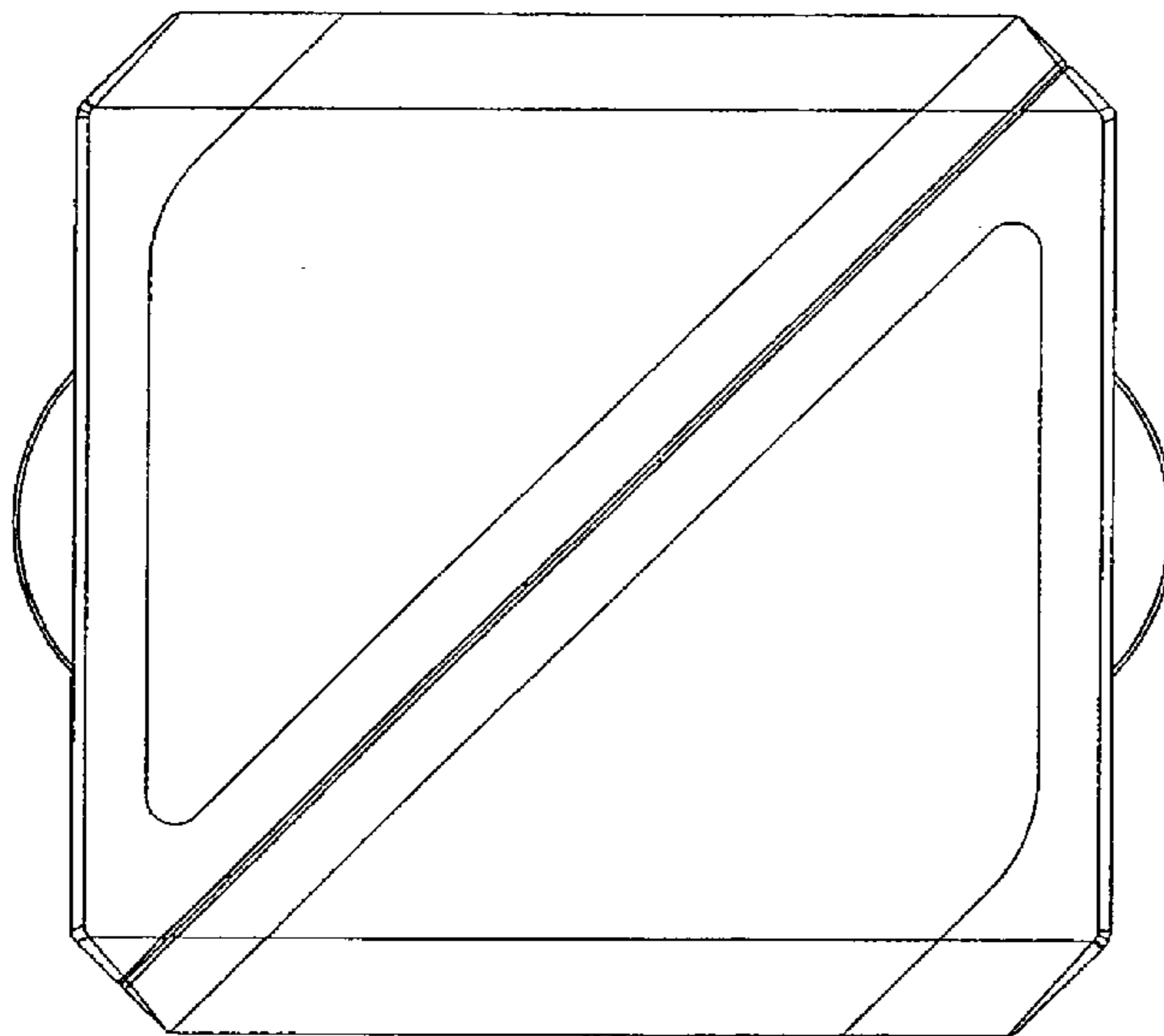


FIG. 6

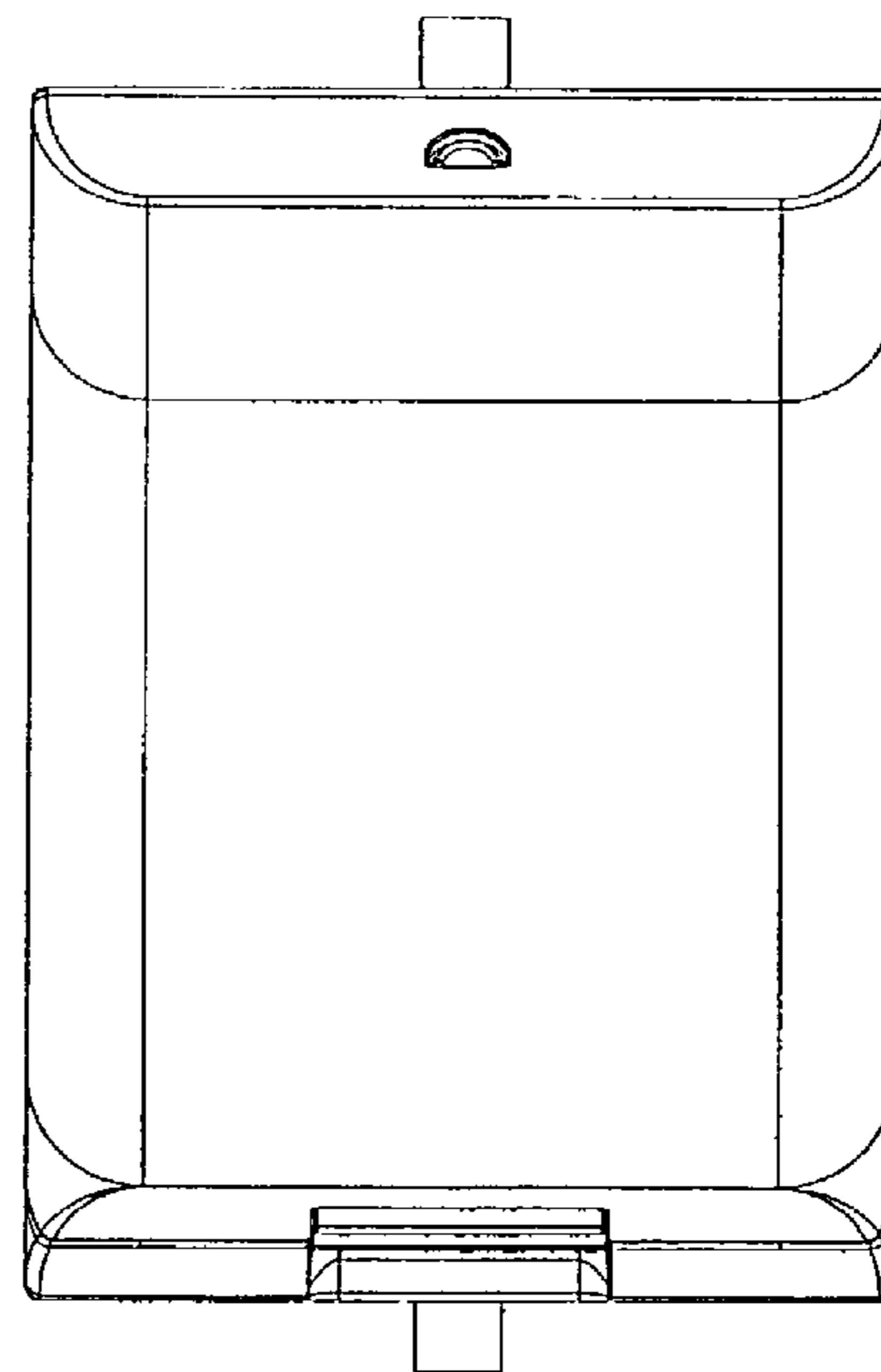


FIG. 7

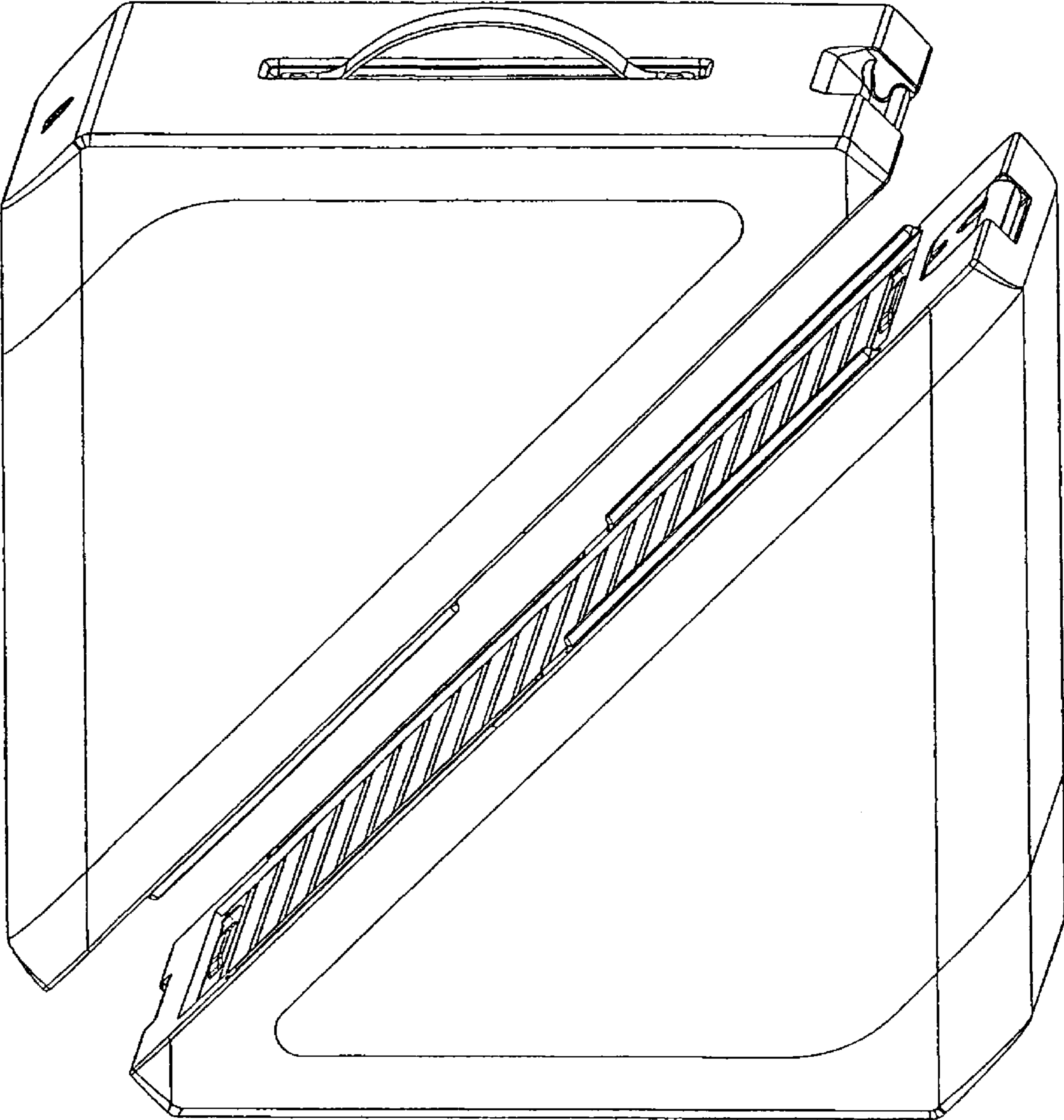


FIG. 8

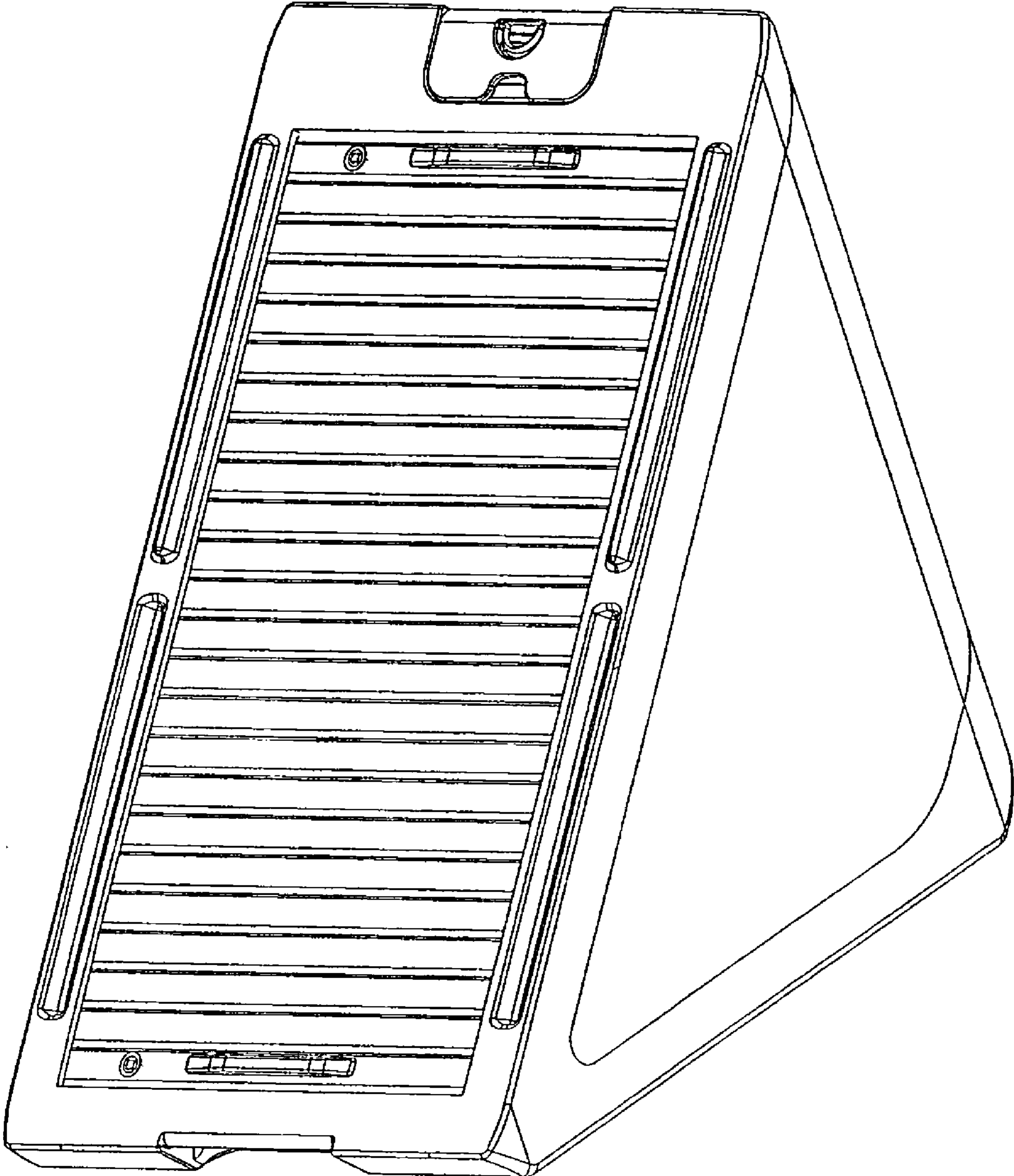


FIG. 9

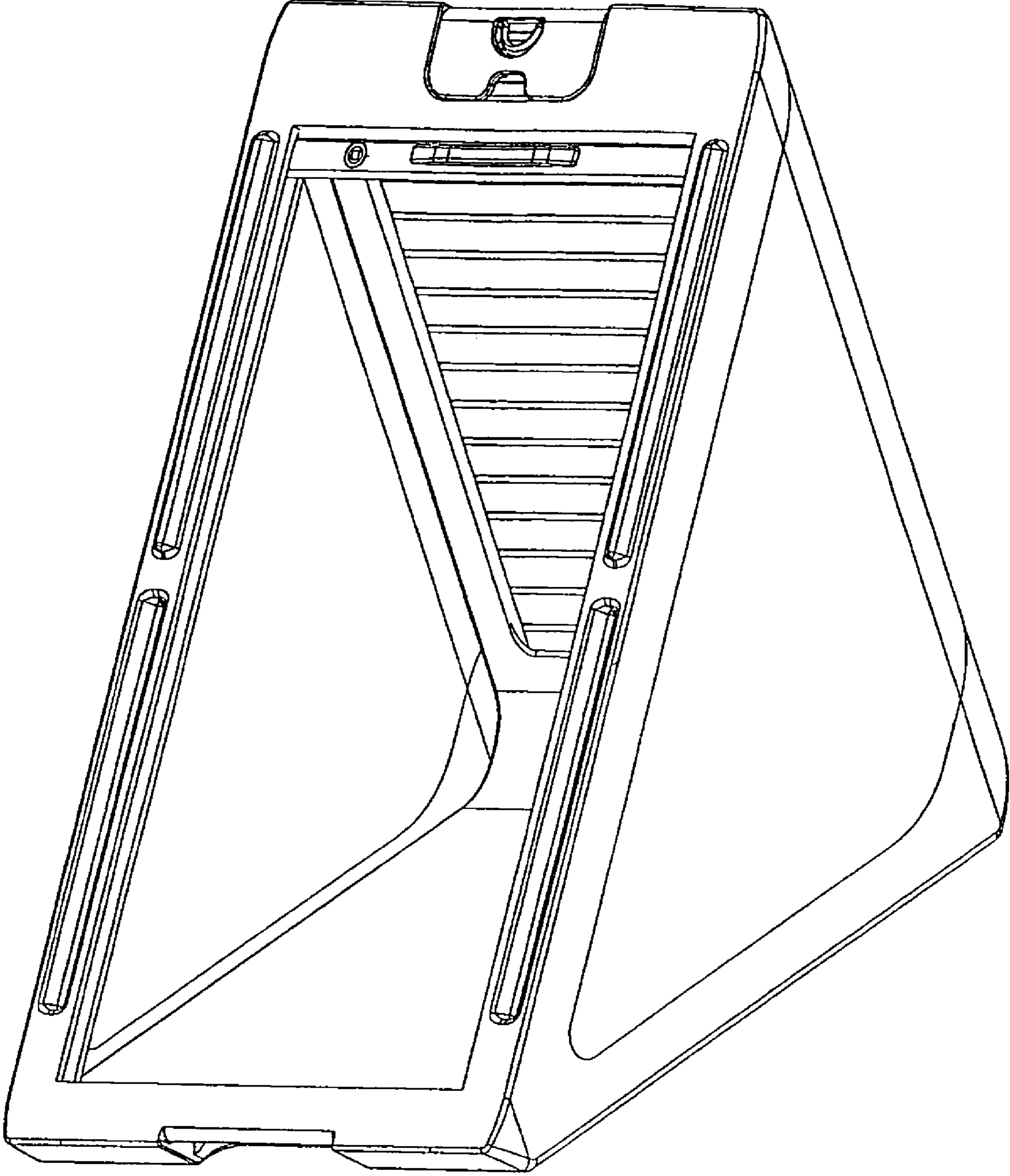


FIG. 10