



US00D649350S

(12) **United States Design Patent**
Shitrit

(10) **Patent No.:** **US D649,350 S**

(45) **Date of Patent:** **** Nov. 29, 2011**

(54) **TOOL CONTAINER**

(75) Inventor: **Elad Hay Shitrit, Tel Aviv (IL)**

(73) Assignee: **The Stanley Works Israel Ltd., Rosh Ha' Ayin (IL)**

(**) Term: **14 Years**

(21) Appl. No.: **29/384,002**

(22) Filed: **Jan. 25, 2011**

(51) **LOC (9) Cl.** **03-01**

(52) **U.S. Cl.** **D3/281; D3/905**

(58) **Field of Classification Search** D3/254,
D3/260, 273, 276, 280, 283-291, 302, 301,
D3/303, 905; 220/523, 524, 527; 206/349,
206/372-379; 190/109, 111, 115, 107, 126,
190/903; D7/605

See application file for complete search history.

(56) **References Cited**

U.S. PATENT DOCUMENTS

D588,416 S * 3/2009 Franczyk et al. D7/601
D626,334 S * 11/2010 Bollani D3/281

D627,968 S * 11/2010 Brunner D3/281
D630,435 S * 1/2011 Brunner D3/276
D639,054 S * 6/2011 Fraiman et al. D3/276
2009/0294310 A1 * 12/2009 Franczyk et al. 206/373

* cited by examiner

Primary Examiner — Jennifer Rivard

(74) *Attorney, Agent, or Firm* — Pillsbury Winthrop Shaw Pittman LLP

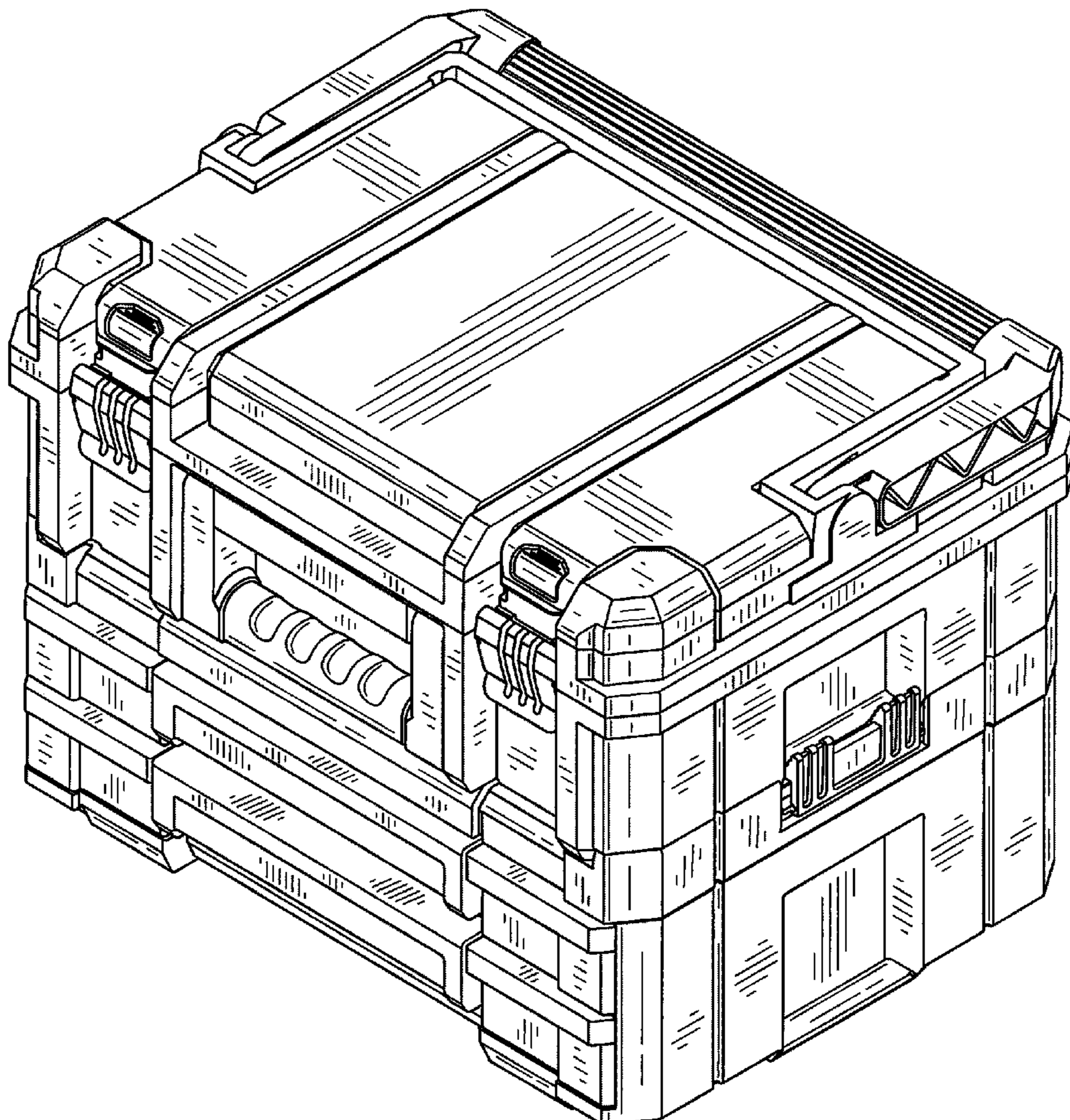
(57) **CLAIM**

The ornamental design for a tool container, as shown and described.

DESCRIPTION

FIG. 1 is an isometric view according to my design; FIG. 2 is a front elevation view of the design of FIG. 1; FIG. 3 is a rear elevation view of the design of FIG. 1; FIG. 4 is a right elevation view of the design of FIG. 1; FIG. 5 is a left elevation view of the design of FIG. 1; FIG. 6 is a top plan view of the design of FIG. 1; and, FIG. 7 is a bottom plan view of the design of FIG. 1.

1 Claim, 7 Drawing Sheets



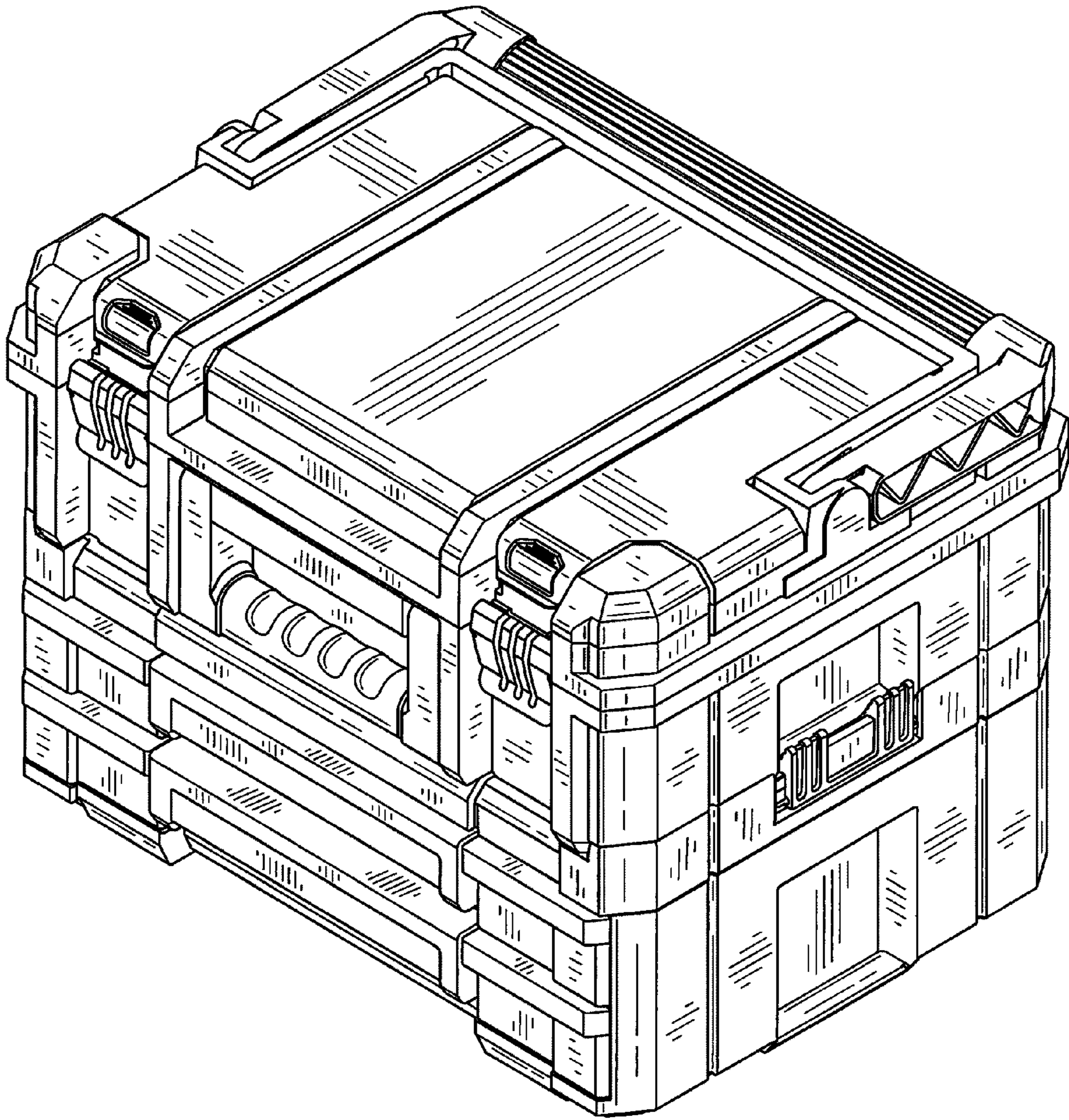


FIG. 1

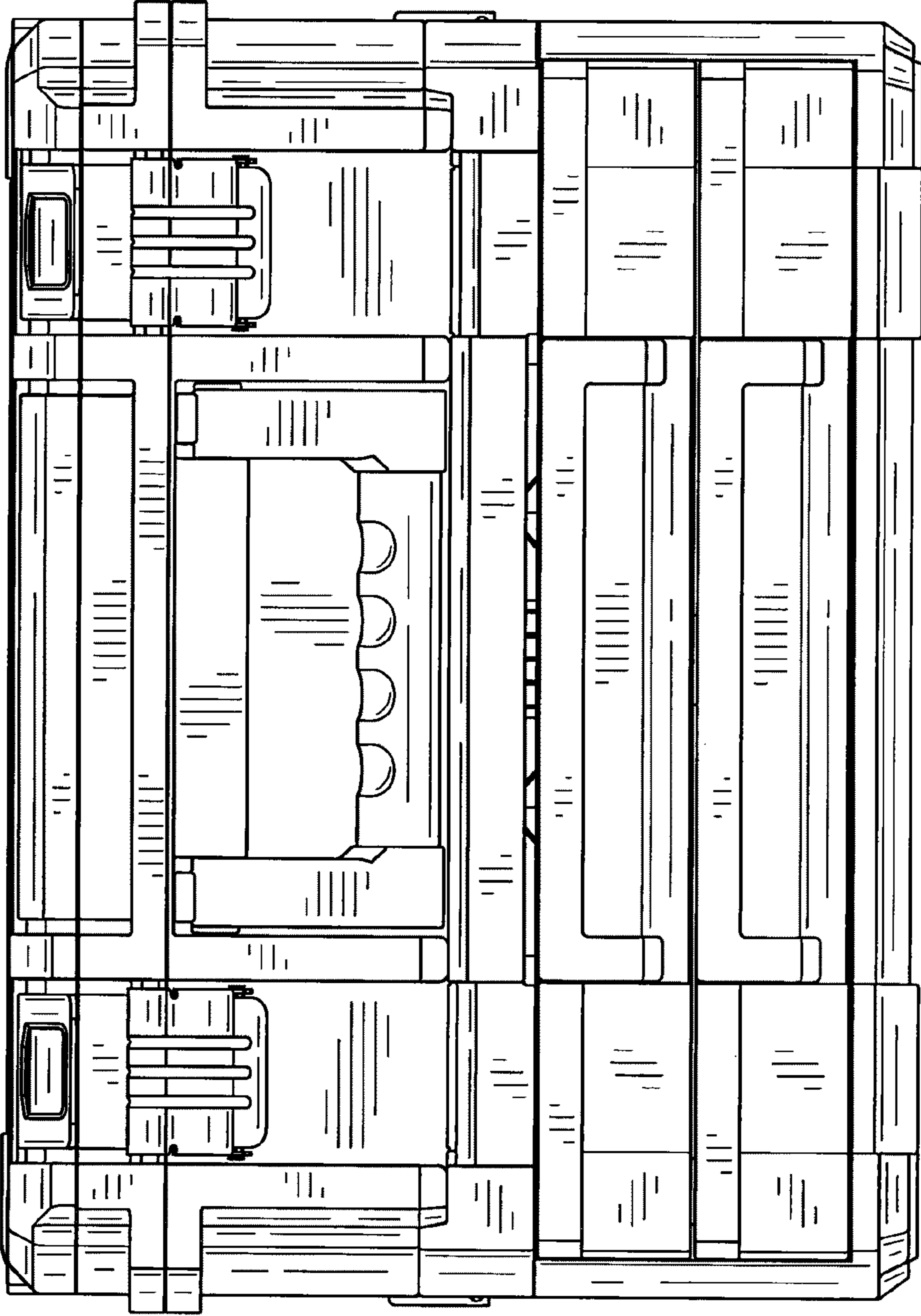


FIG. 2

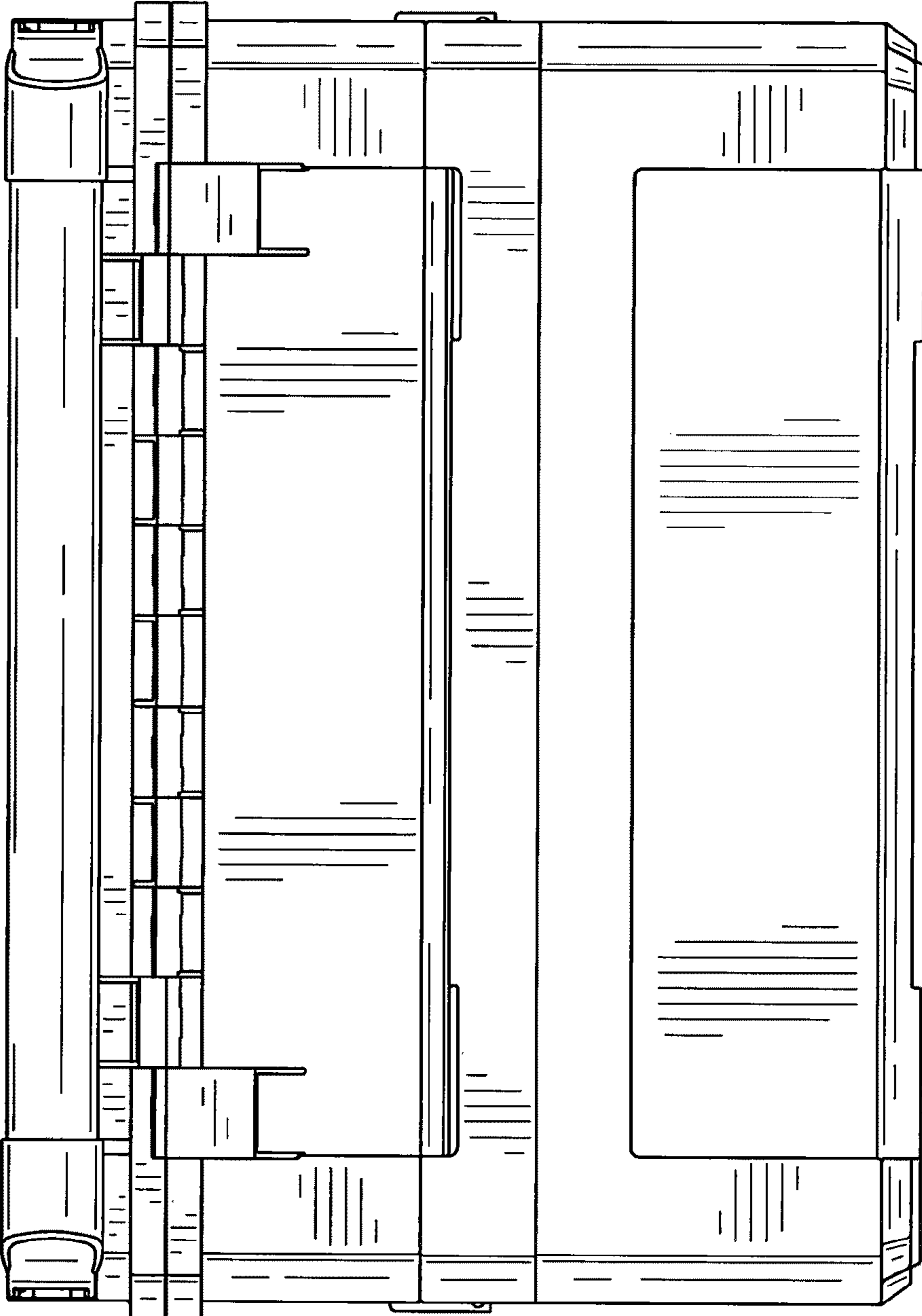


FIG. 3

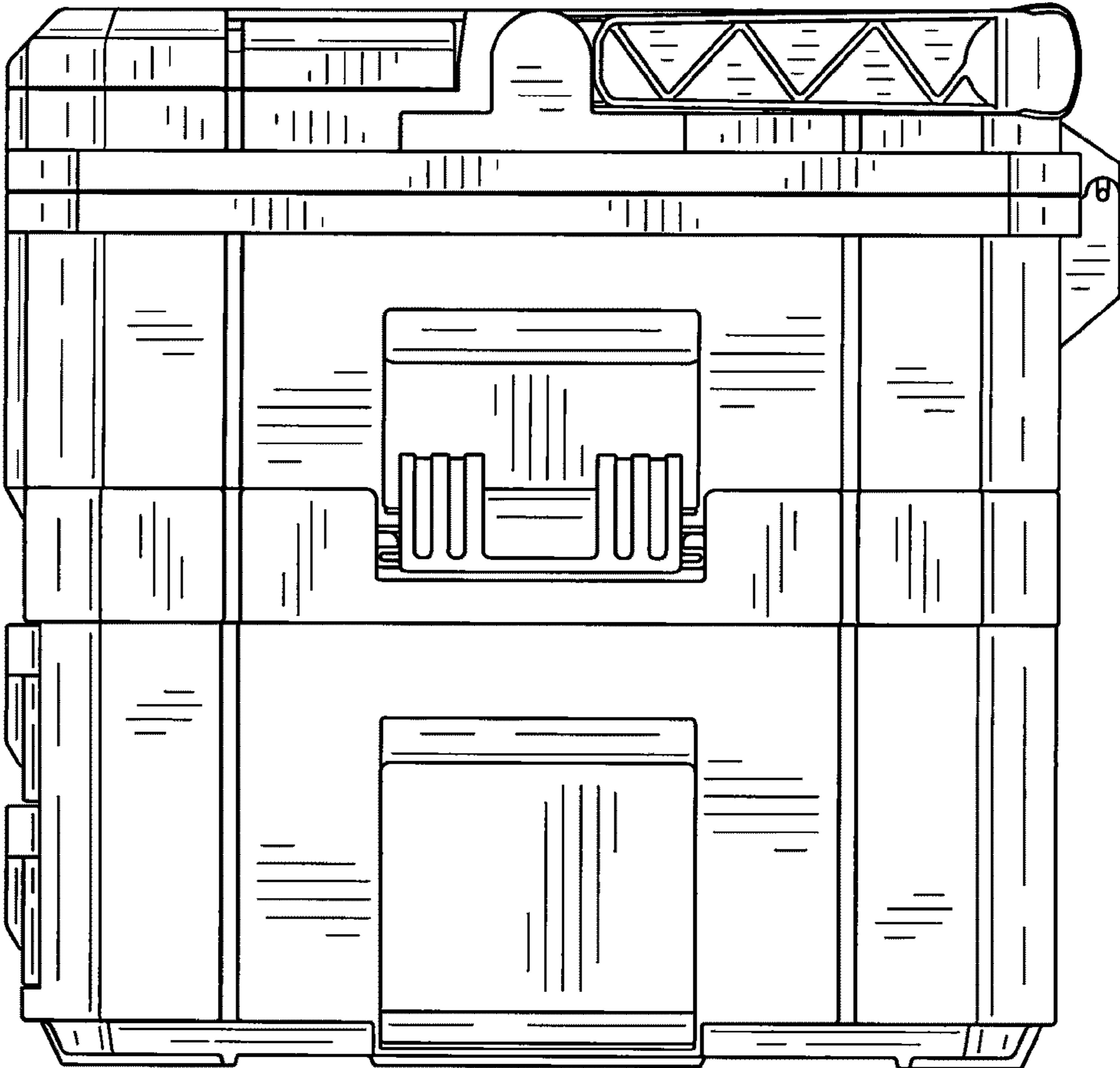


FIG. 4

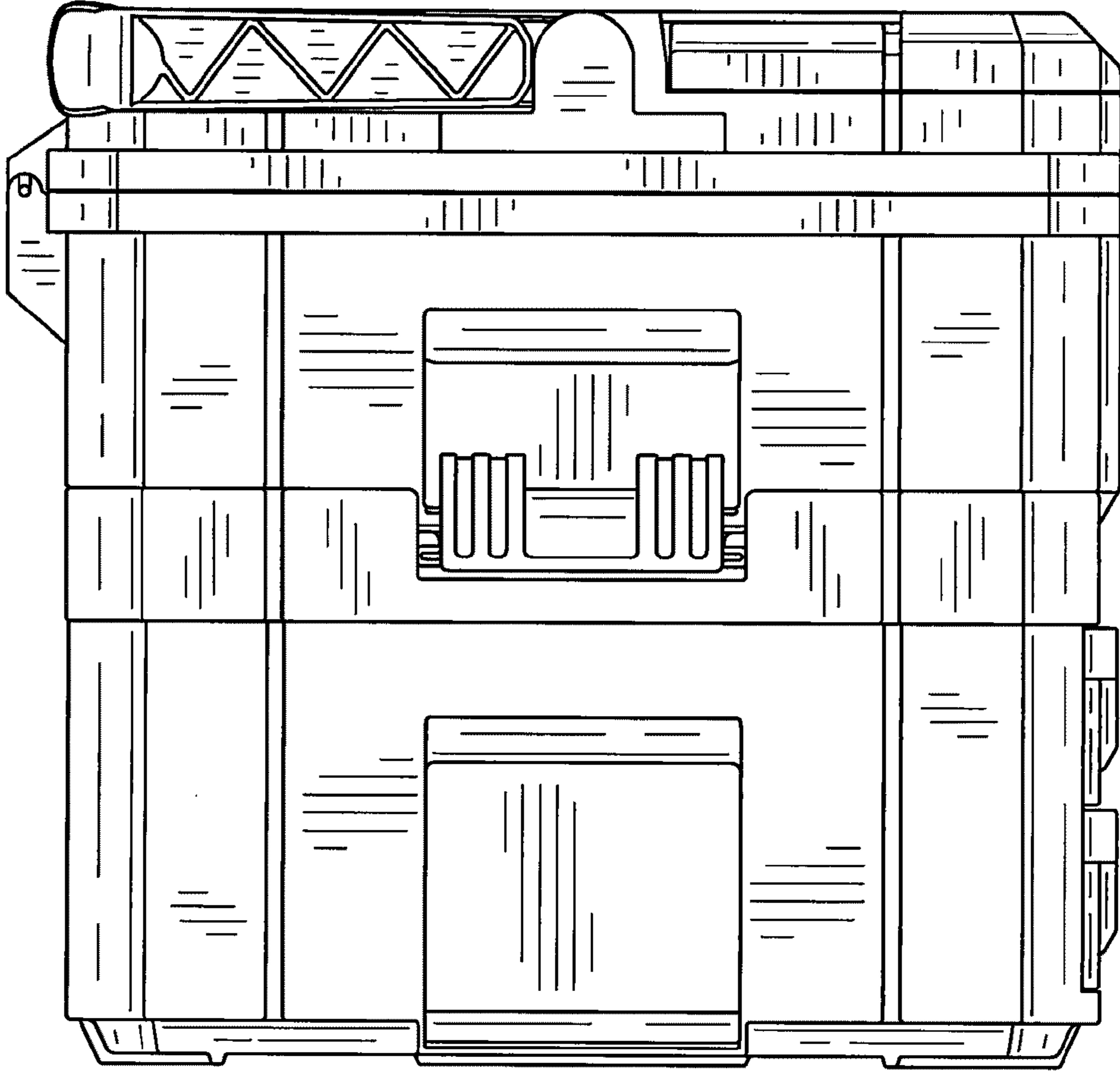


FIG. 5

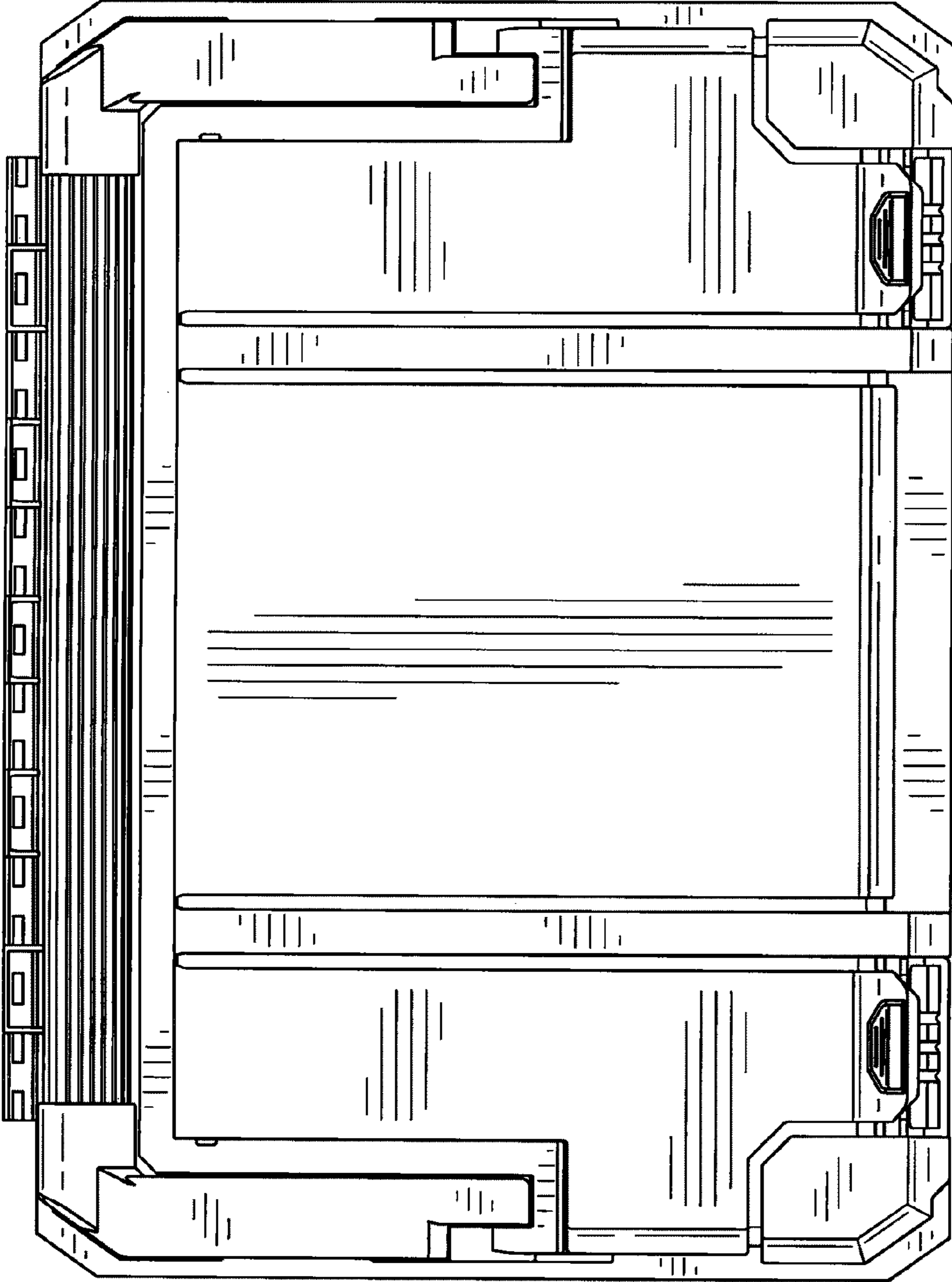


FIG. 6

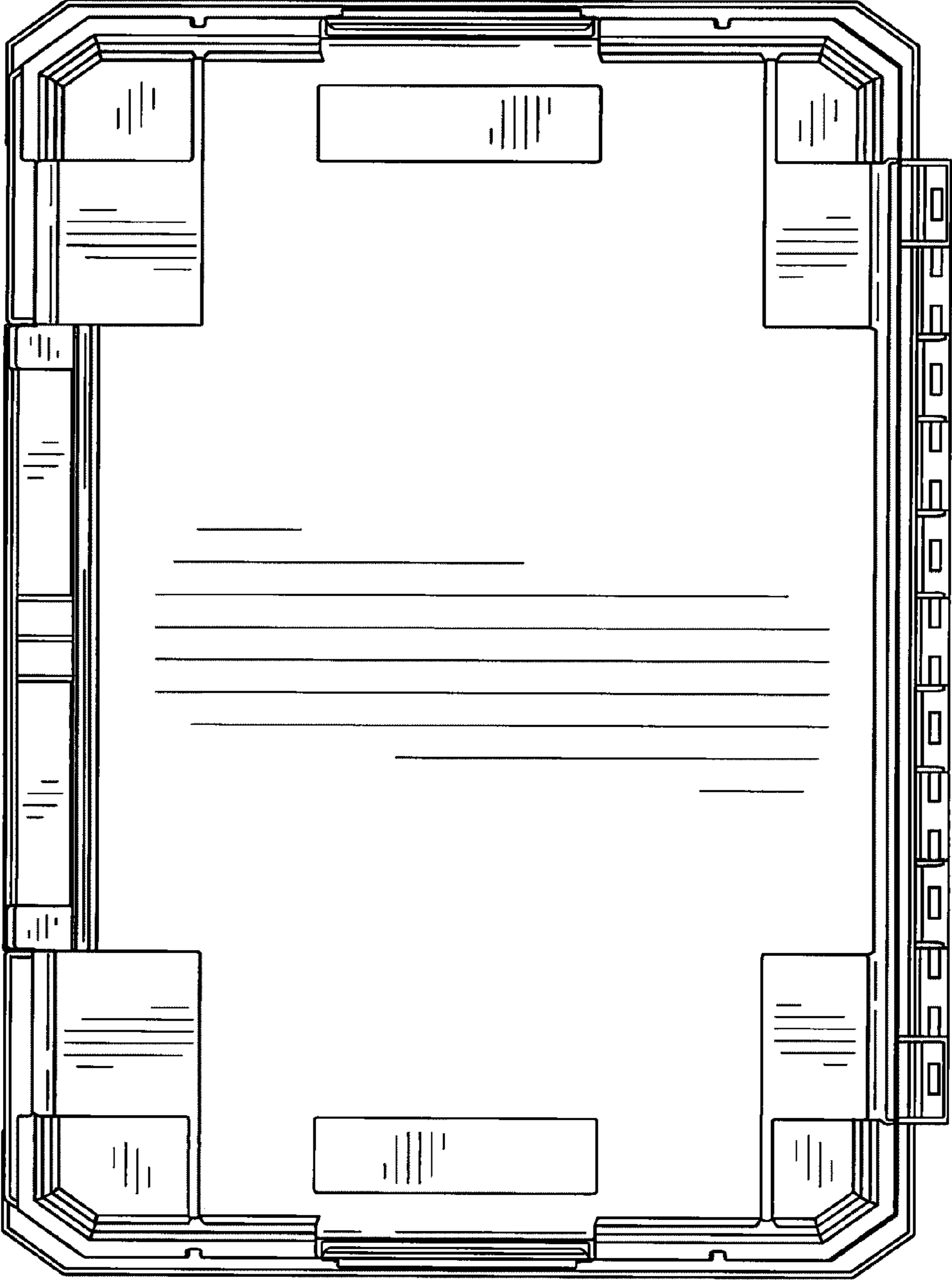


FIG. 7