



US00D649349S

(12) **United States Design Patent**  
**Chen et al.**

(10) **Patent No.:** **US D649,349 S**

(45) **Date of Patent:** **\*\* Nov. 29, 2011**

(54) **TOOLBOX**

(75) Inventors: **Xiao Chen**, Shanghai (CN); **YaoKun Gui**, Shanghai (CN)

(73) Assignee: **Meridian International Co., Ltd.** (CN)

(\*\*) Term: **14 Years**

(21) Appl. No.: **29/375,178**

(22) Filed: **Sep. 17, 2010**

(30) **Foreign Application Priority Data**

Mar. 17, 2010 (CN) ..... 2010 3 0120327  
Mar. 30, 2010 (CN) ..... 2010 2 0145129

(51) **LOC (9) Cl.** ..... **03-01**

(52) **U.S. Cl.** ..... **D3/276; D3/905**

(58) **Field of Classification Search** ..... D3/273,  
D3/274, 276, 280–284, 286, 288, 291, 292,  
D3/294–295, 905; 206/349, 372–379; 220/523,  
220/527

See application file for complete search history.

(56) **References Cited**

**U.S. PATENT DOCUMENTS**

D514,314 S \* 2/2006 Singh et al. .... D3/276

D610,351 S \* 2/2010 Brunner ..... D3/295  
D618,911 S \* 7/2010 Brunner ..... D3/281  
D639,054 S \* 6/2011 Fraiman et al. .... D3/276  
2004/0168941 A1\* 9/2004 Cho ..... 206/373

\* cited by examiner

*Primary Examiner* — Jennifer Rivard

(74) *Attorney, Agent, or Firm* — Jason R. Sytsma;  
Shuttleworth & Ingersoll, PLC

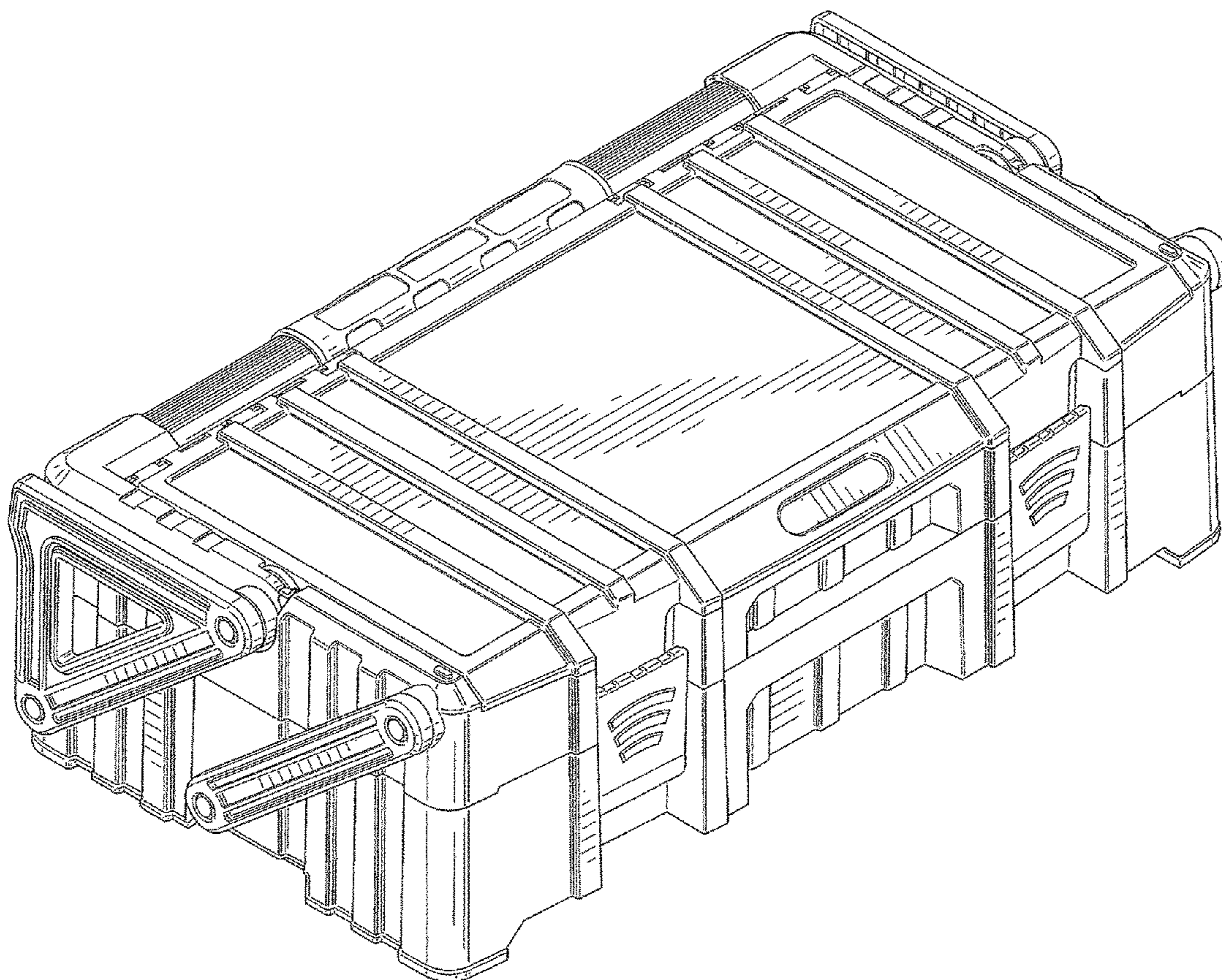
(57) **CLAIM**

The ornamental design for a toolbox, as shown.

**DESCRIPTION**

FIG. 1 is a top view of a toolbox;  
FIG. 2 is a bottom view thereof;  
FIG. 3 is a left-side view thereof;  
FIG. 4 is a right-side view thereof.  
FIG. 5 is a back-side view thereof;  
FIG. 6 is a front-side view thereof; and,  
FIG. 7 is a perspective view thereof.

**1 Claim, 6 Drawing Sheets**





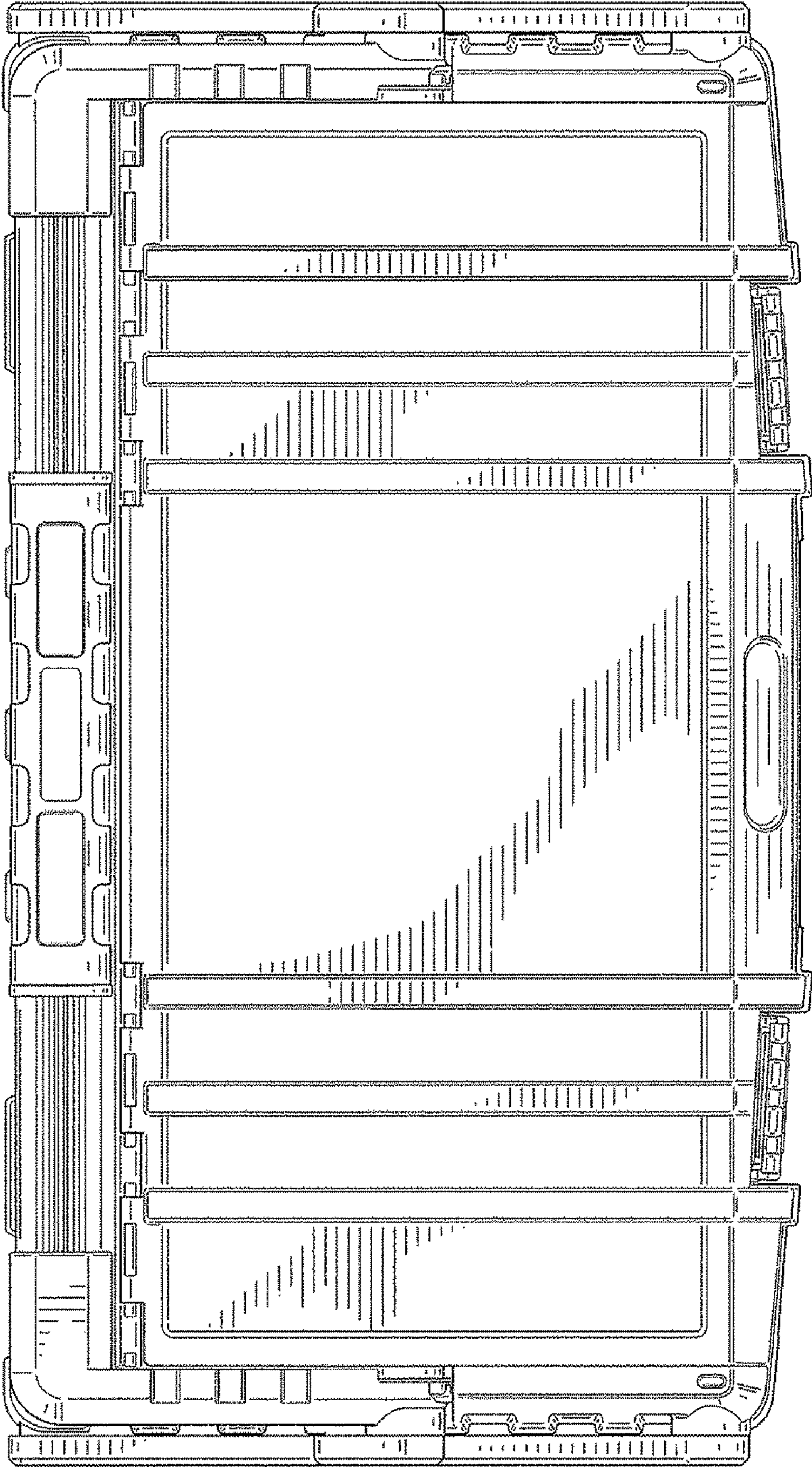


FIG. 1



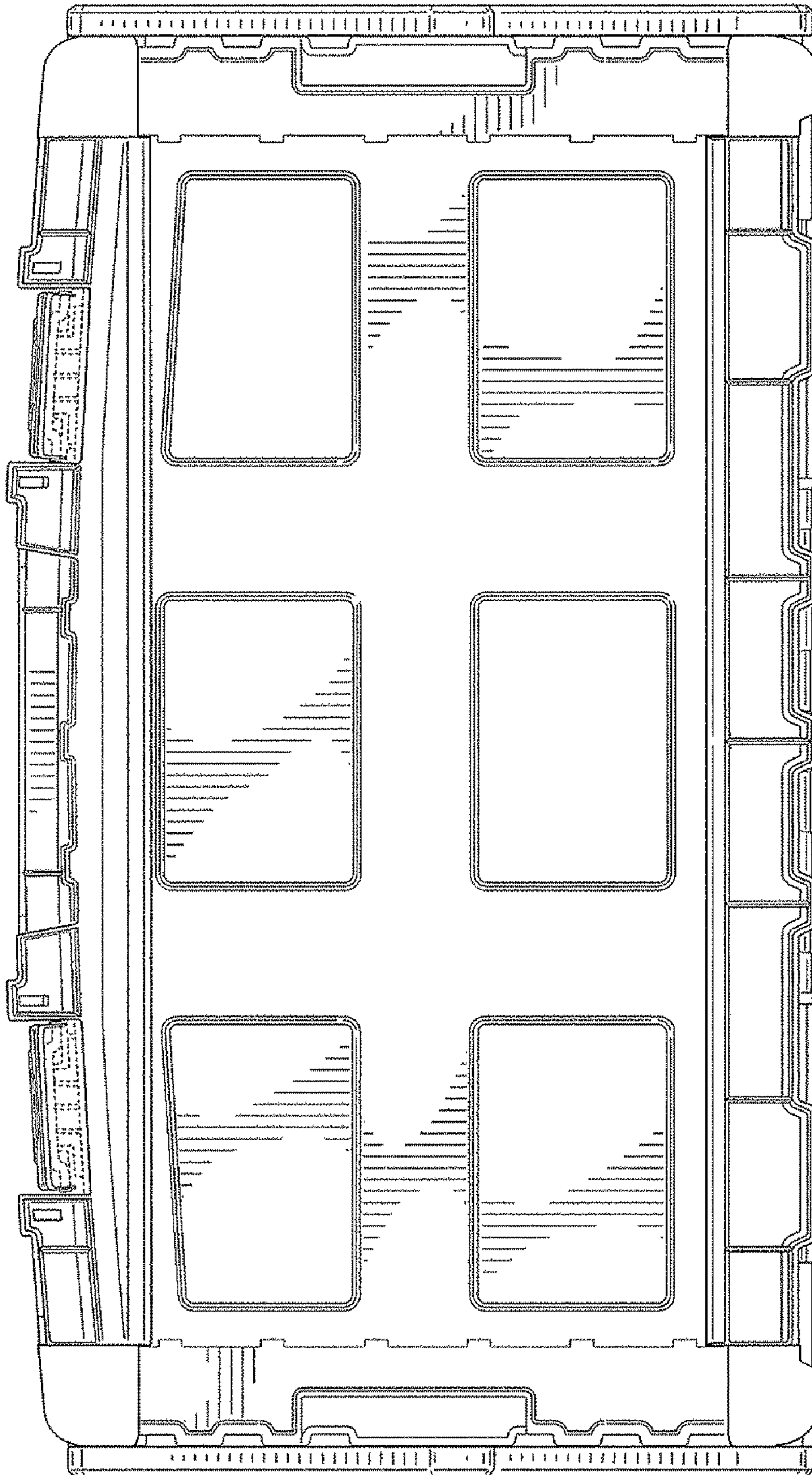


FIG. 2



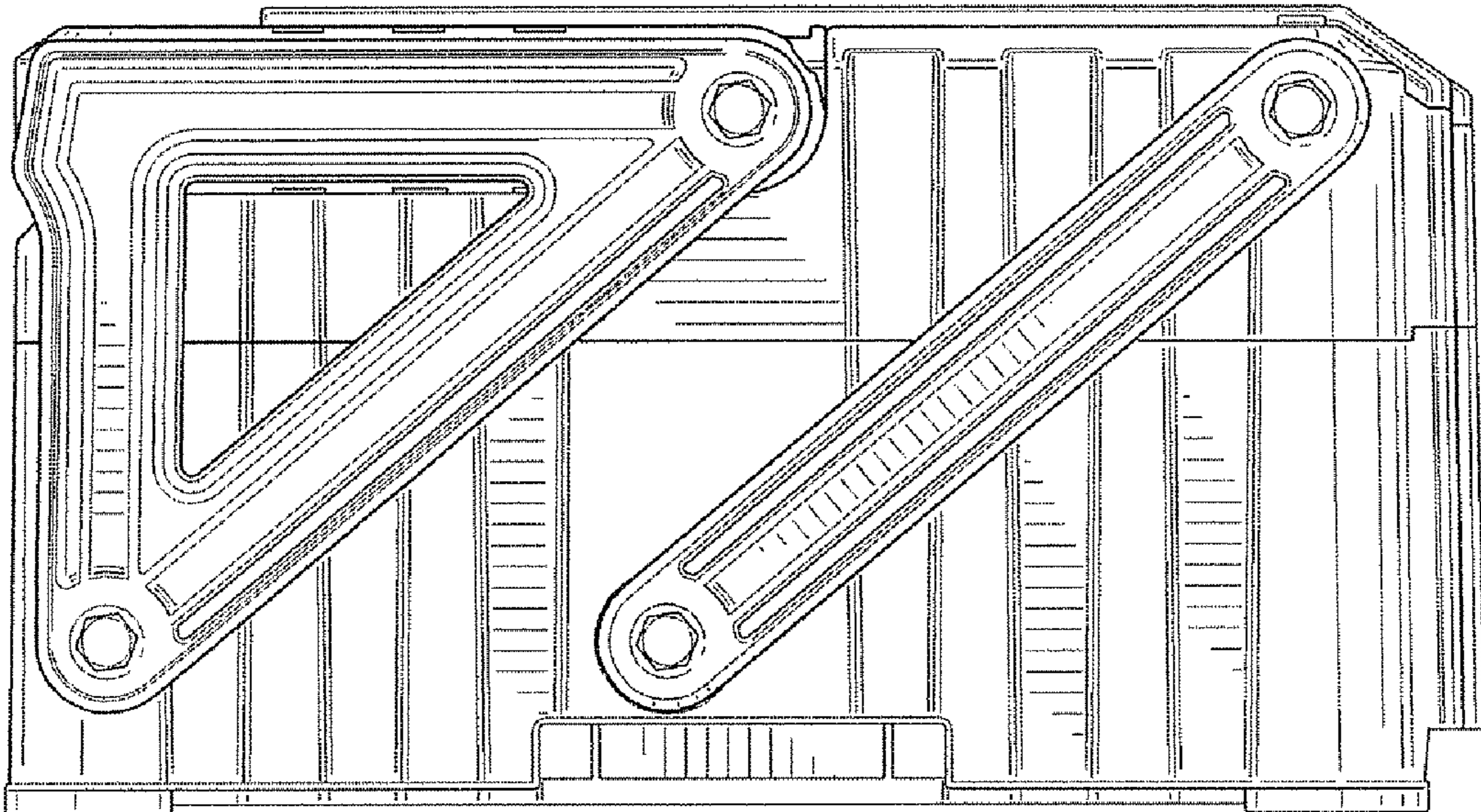


FIG. 3

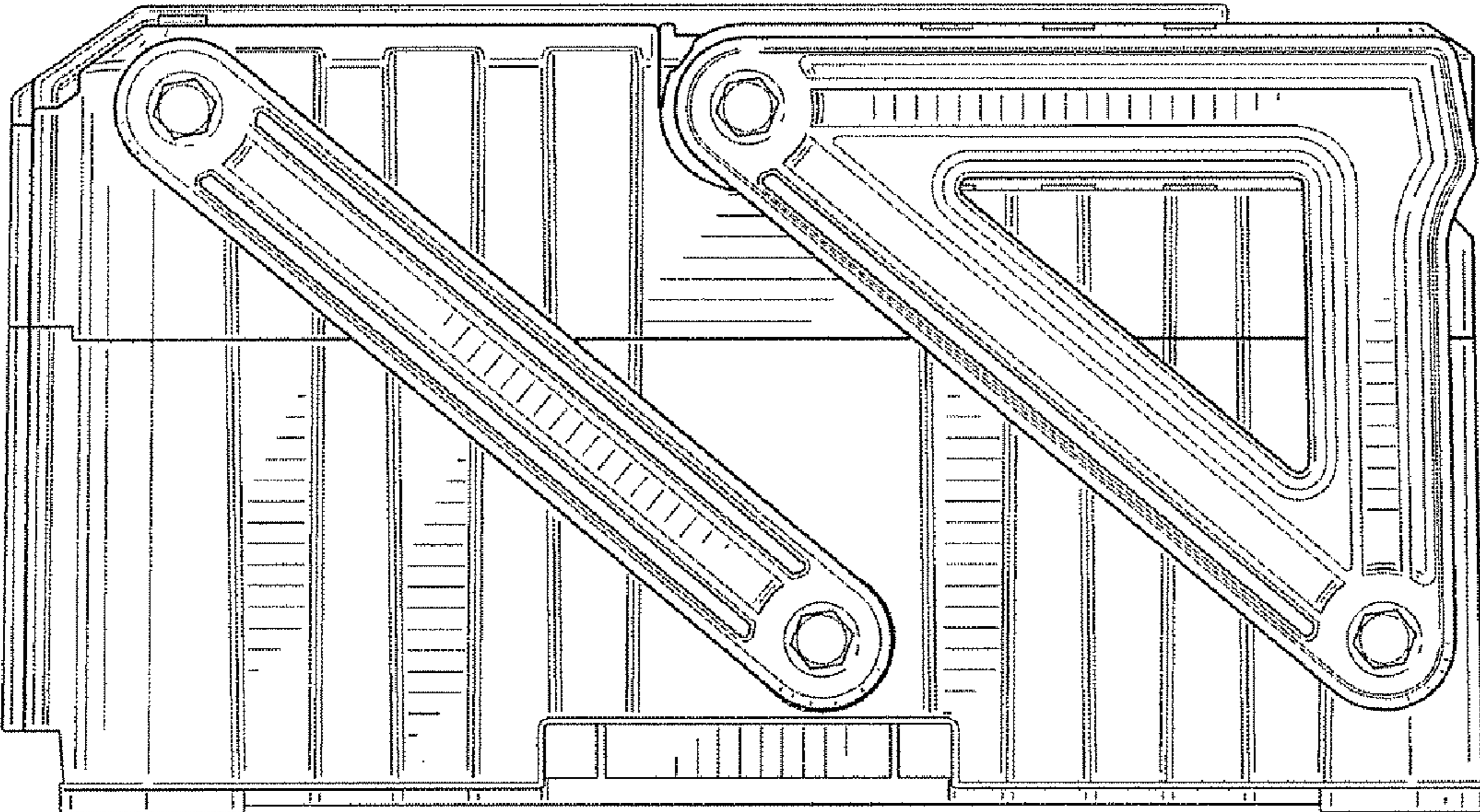


FIG. 4

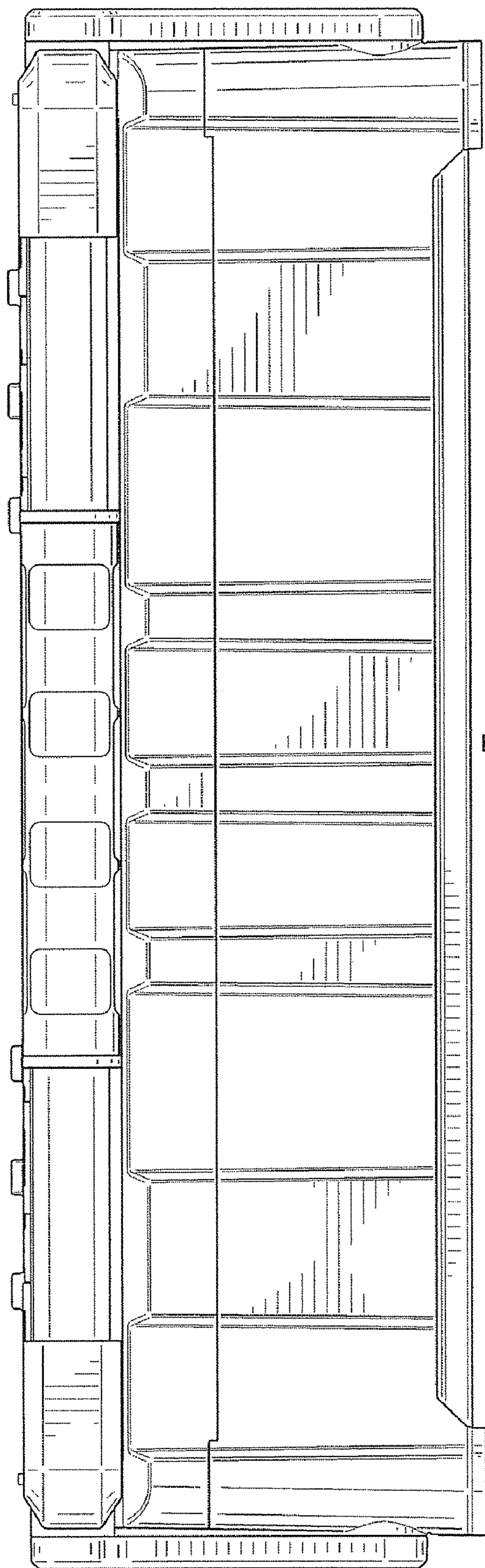


FIG. 5



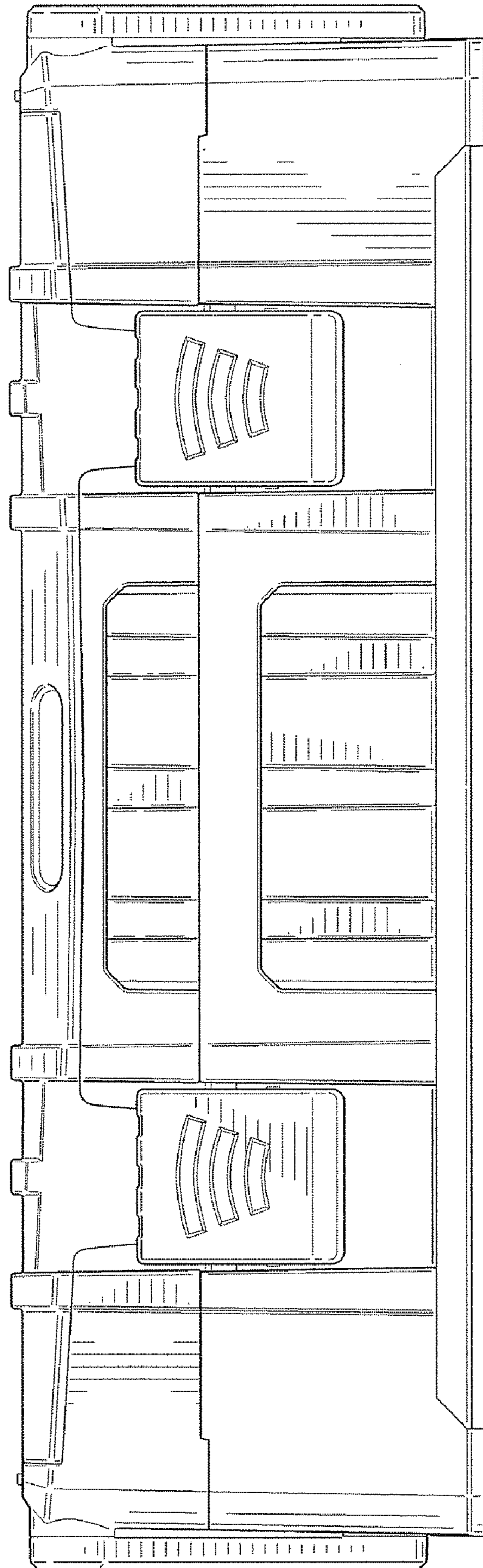


FIG. 6

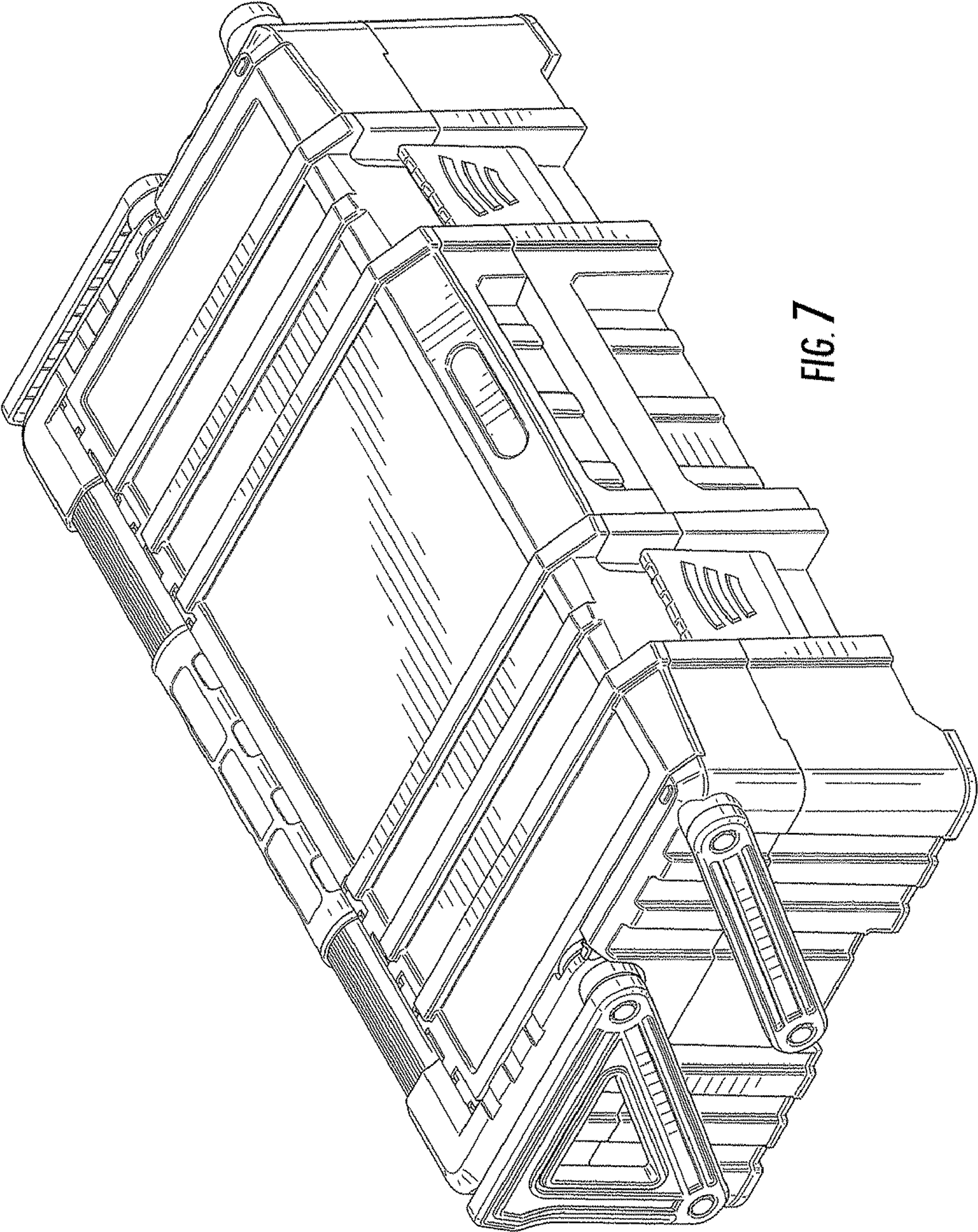


FIG. 7