



US00D649347S

(12) **United States Design Patent**  
**Smith et al.**

(10) **Patent No.:** **US D649,347 S**

(45) **Date of Patent:** **\*\* Nov. 29, 2011**

(54) **HOLSTER FOR AN ELECTRONIC DEVICE**

*Primary Examiner* — Catheri Oliver

(75) Inventors: **Travis Smith**, Fort Collins, CO (US);  
**Alan Morine**, Fort Collins, CO (US);  
**Stephen Willes**, Fort Collins, CO (US);  
**Matthew Glanzer**, Fort Collins, CO  
(US)

(57) **CLAIM**

The ornamental design for a holster for an electronic device,  
as shown and described.

(73) Assignee: **Otter Products, LLC**, Fort Collins, CO  
(US)

(\*\*) Term: **14 Years**

**DESCRIPTION**

(21) Appl. No.: **29/388,374**

(22) Filed: **Mar. 28, 2011**

(51) **LOC (9) Cl.** ..... **03-01**

(52) **U.S. Cl.** ..... **D3/218**

(58) **Field of Classification Search** ..... D3/218,  
D3/201, 215, 219, 269, 272; 224/240, 245,  
224/929-930, 667, 587, 683; D14/138, 250-251,  
D14/253, 345, 432, 439-440; 379/437, 440,  
379/446-447, 449-455; 455/575.1, 575.6,  
455/575.8, 575.9

See application file for complete search history.

FIG. 1 is a front isometric view of a holster for an electronic device showing our new design;  
FIG. 2 is a rear isometric view thereof;  
FIG. 3 is a front view thereof;  
FIG. 4 is a rear view thereof;  
FIG. 5 is a left view thereof;  
FIG. 6 is a right view thereof;  
FIG. 7 is a top view thereof;  
FIG. 8 is a bottom view thereof;  
FIG. 9 is a front isometric view of a holster for an electronic device with the inclusion of an electronic device in the holster;  
FIG. 10 is a rear isometric view of a holster for an electronic device with the inclusion of an electronic device in the holster; and,  
FIG. 11 is a front view of a holster for an electronic device with the inclusion of an electronic device in the holster.  
All broken lines depict unclaimed environment. The broken lines and unshaded regions bounded by broken lines form no part of the claimed design.

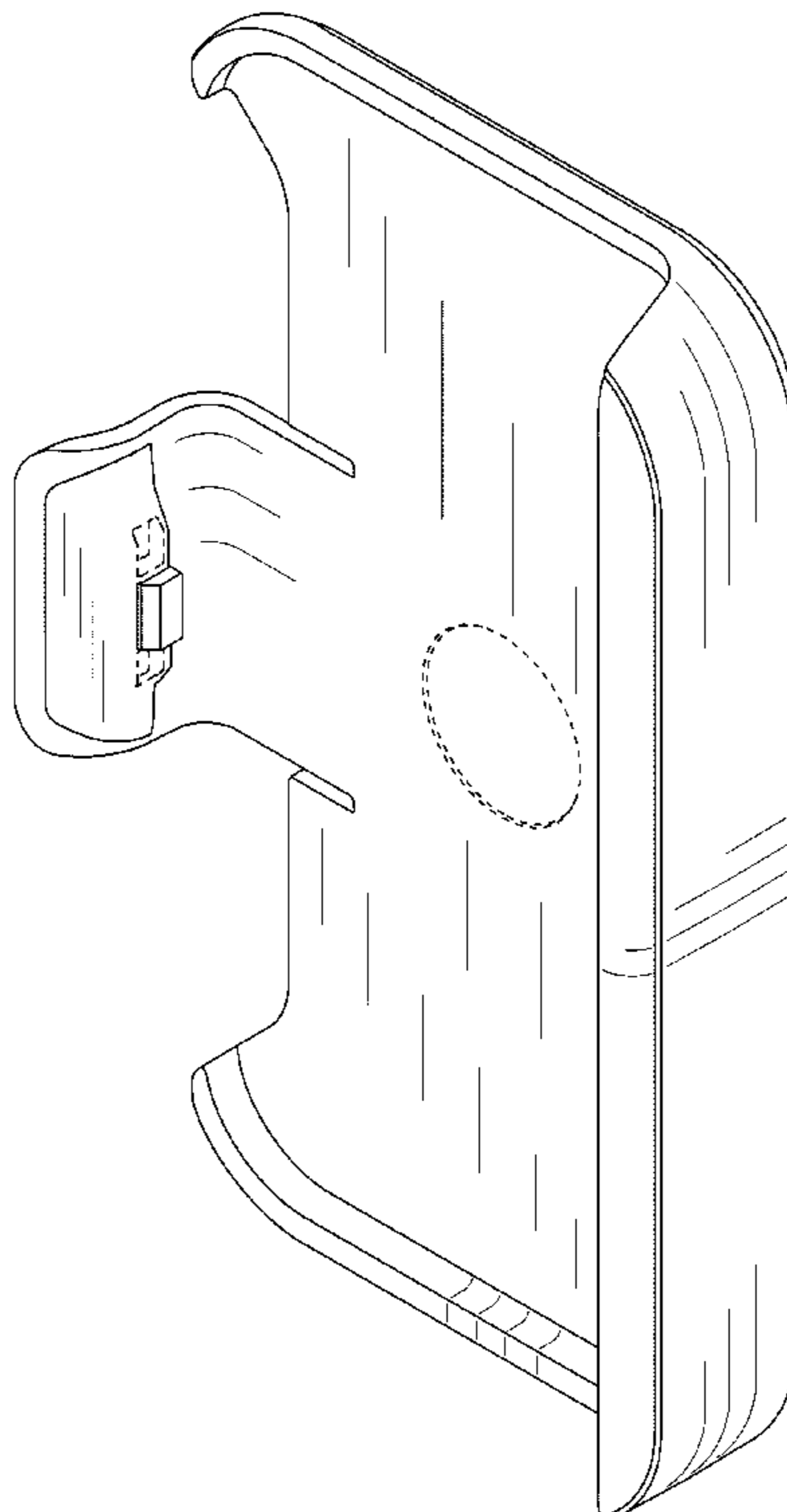
(56) **References Cited**

**U.S. PATENT DOCUMENTS**

D451,915 S *	12/2001	Dalmau	.....	D14/253
D457,308 S *	5/2002	Infanti	.....	D3/218
D468,525 S *	1/2003	Boyle et al.	.....	D3/218
D612,149 S *	3/2010	Fahrendorff et al.	.....	D3/218
D629,193 S *	12/2010	Liu	.....	D3/218
D637,393 S *	5/2011	Stampfli	.....	D3/218

\* cited by examiner

**1 Claim, 9 Drawing Sheets**



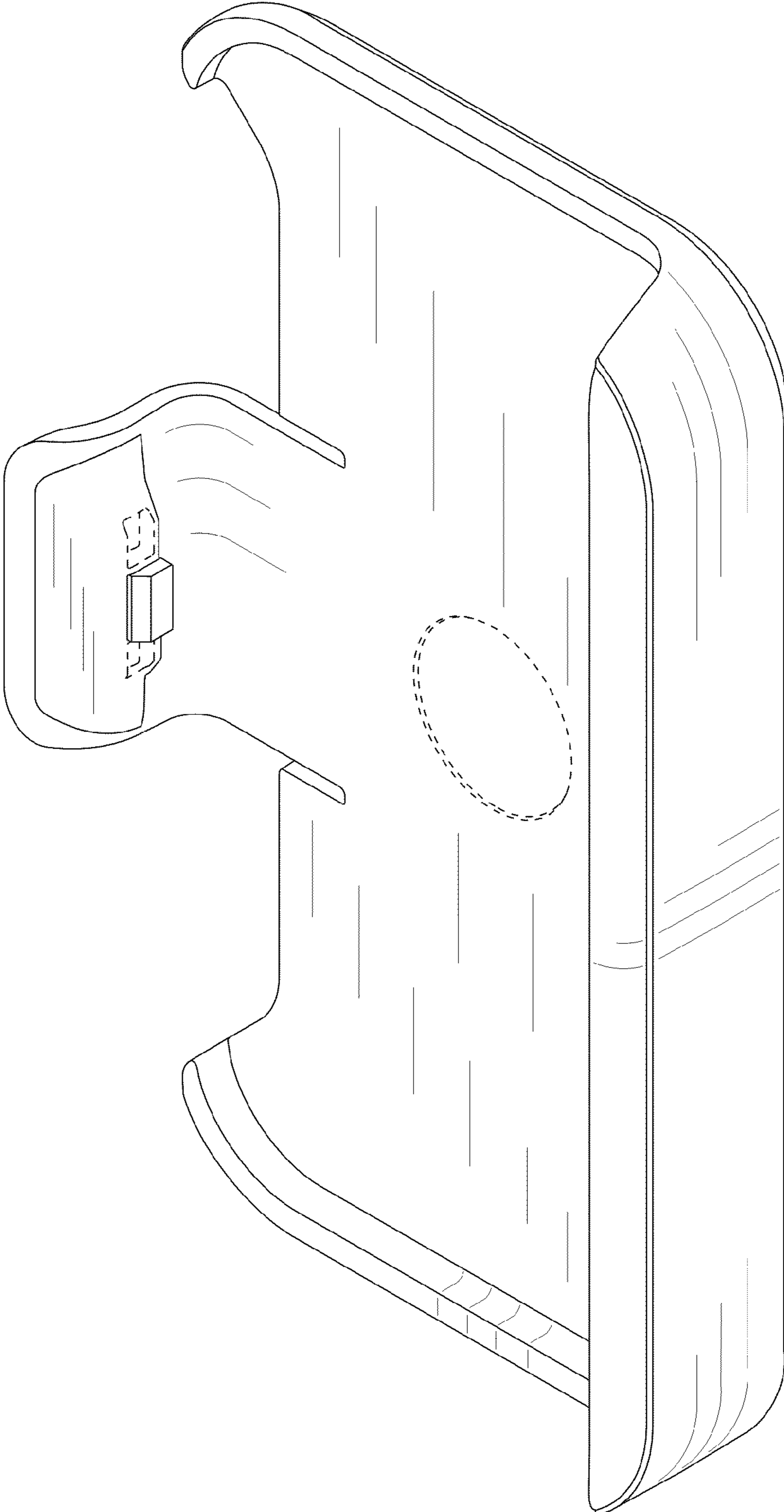


FIG. 1

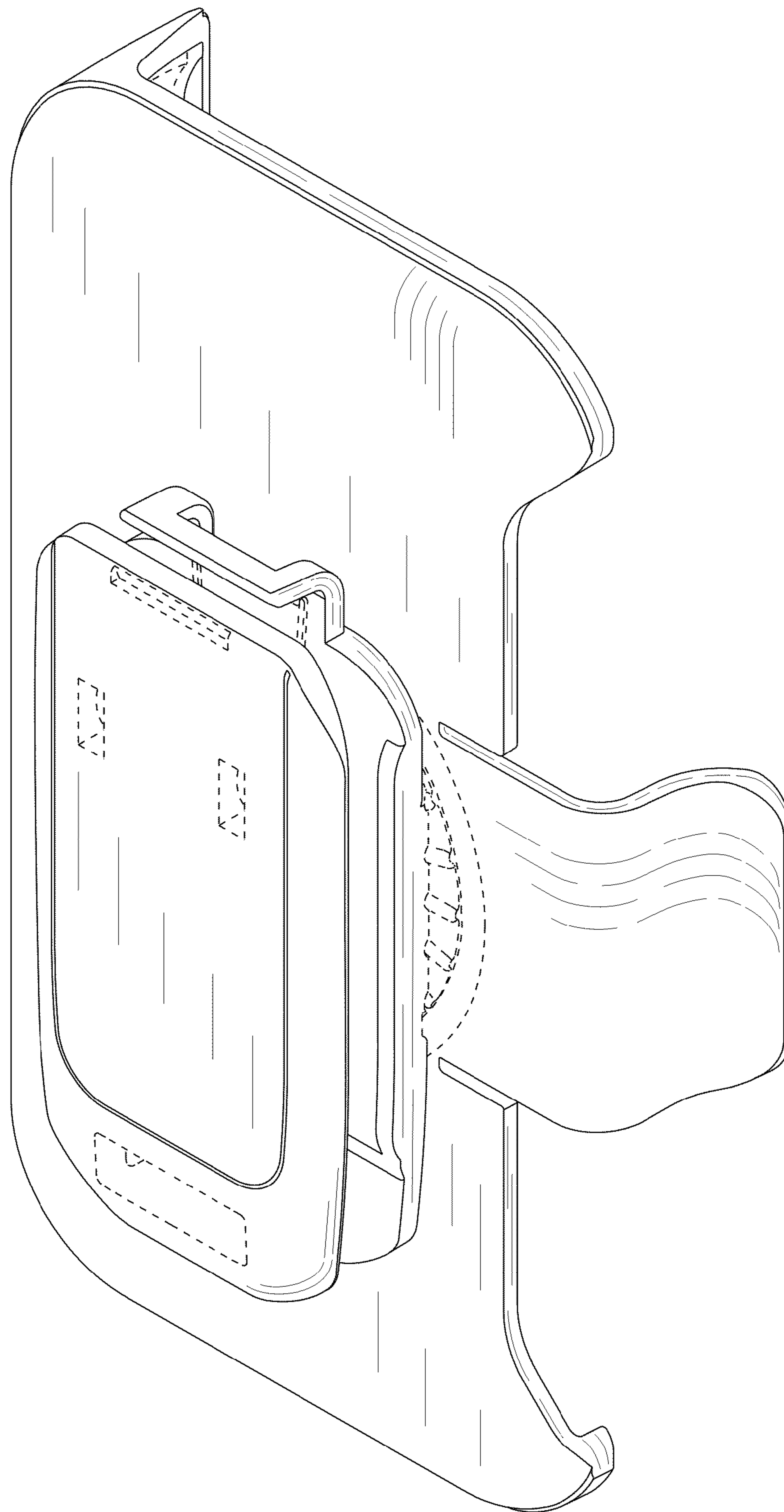


FIG. 2

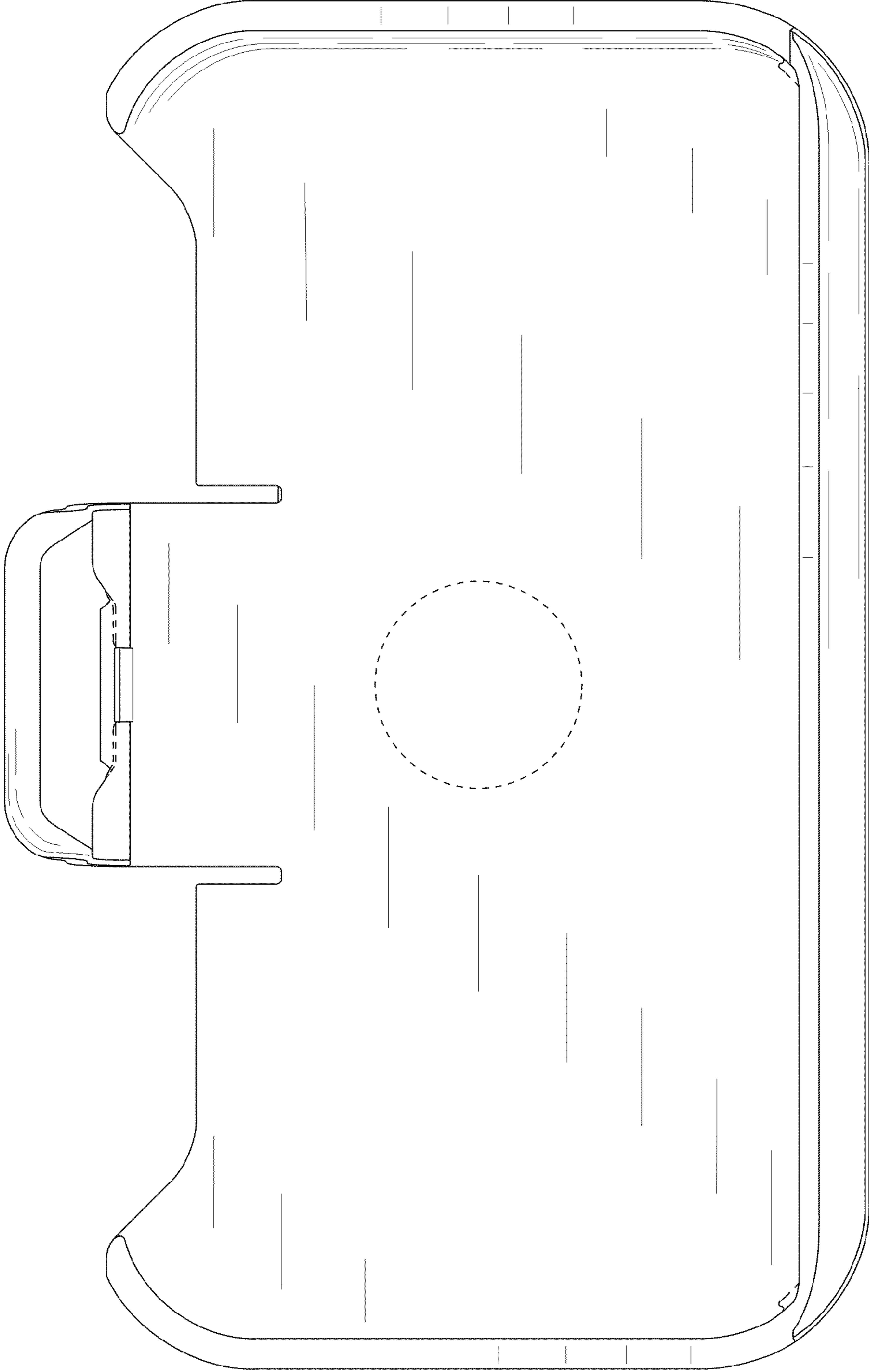


FIG. 3

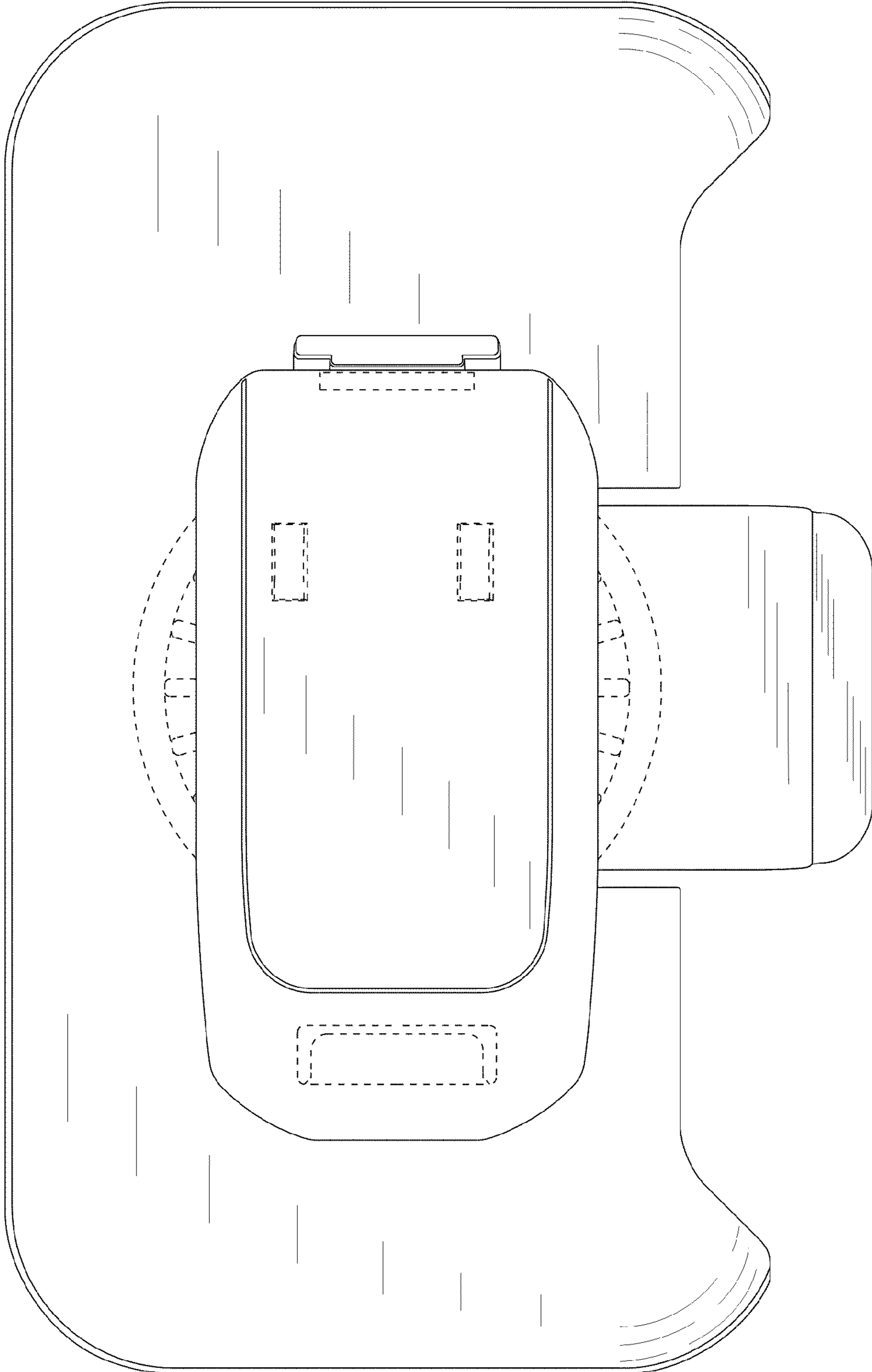


FIG. 4

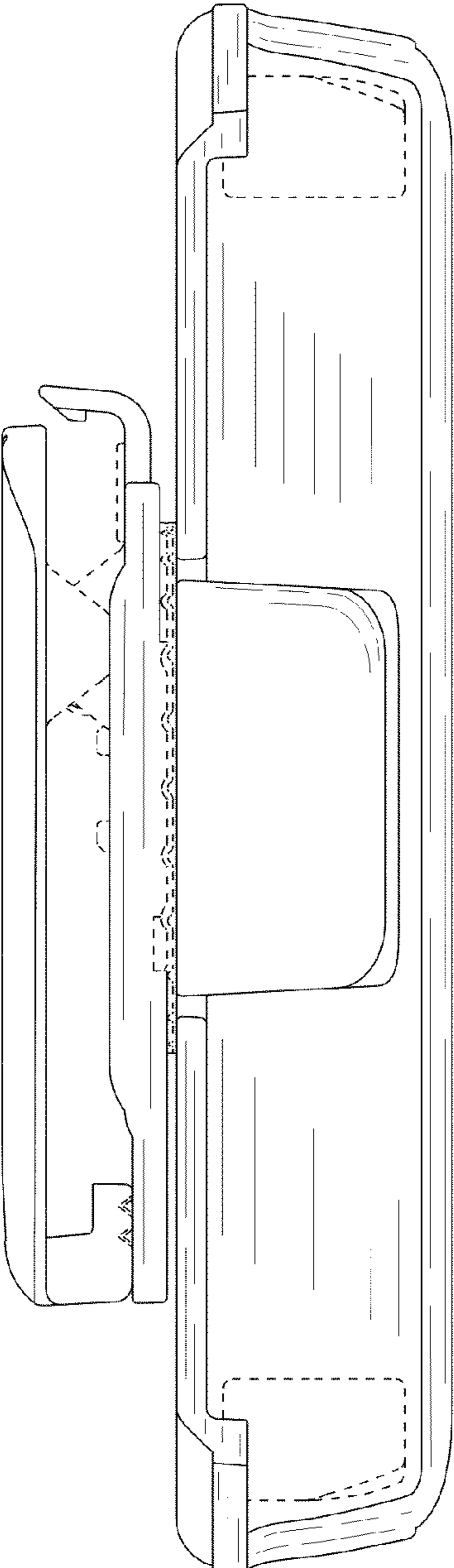


FIG. 5

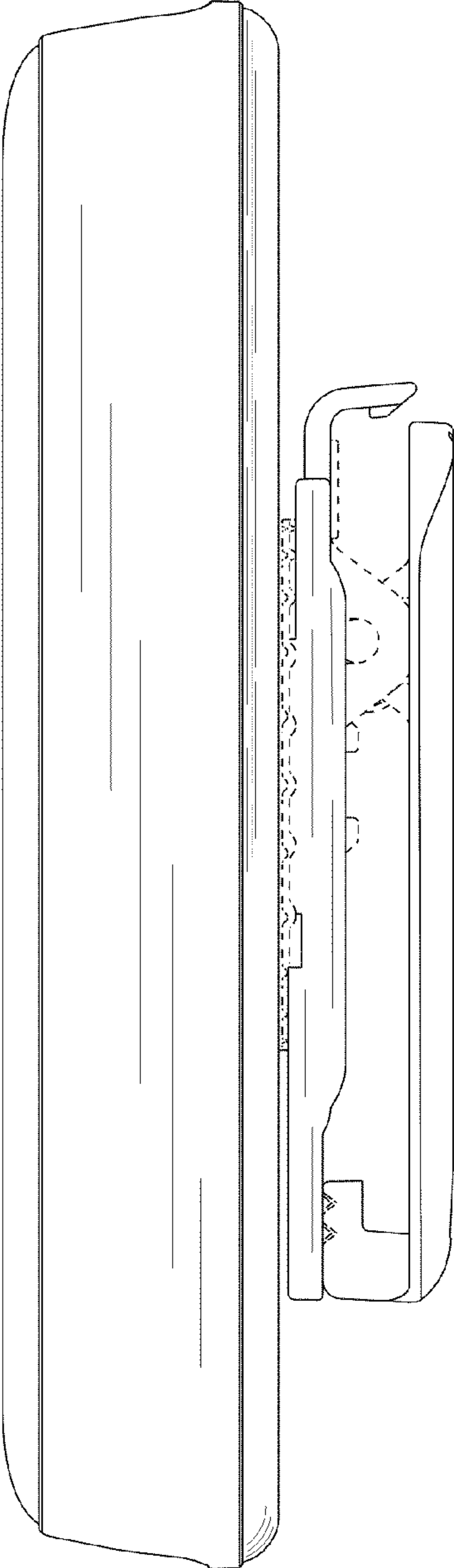


FIG. 6

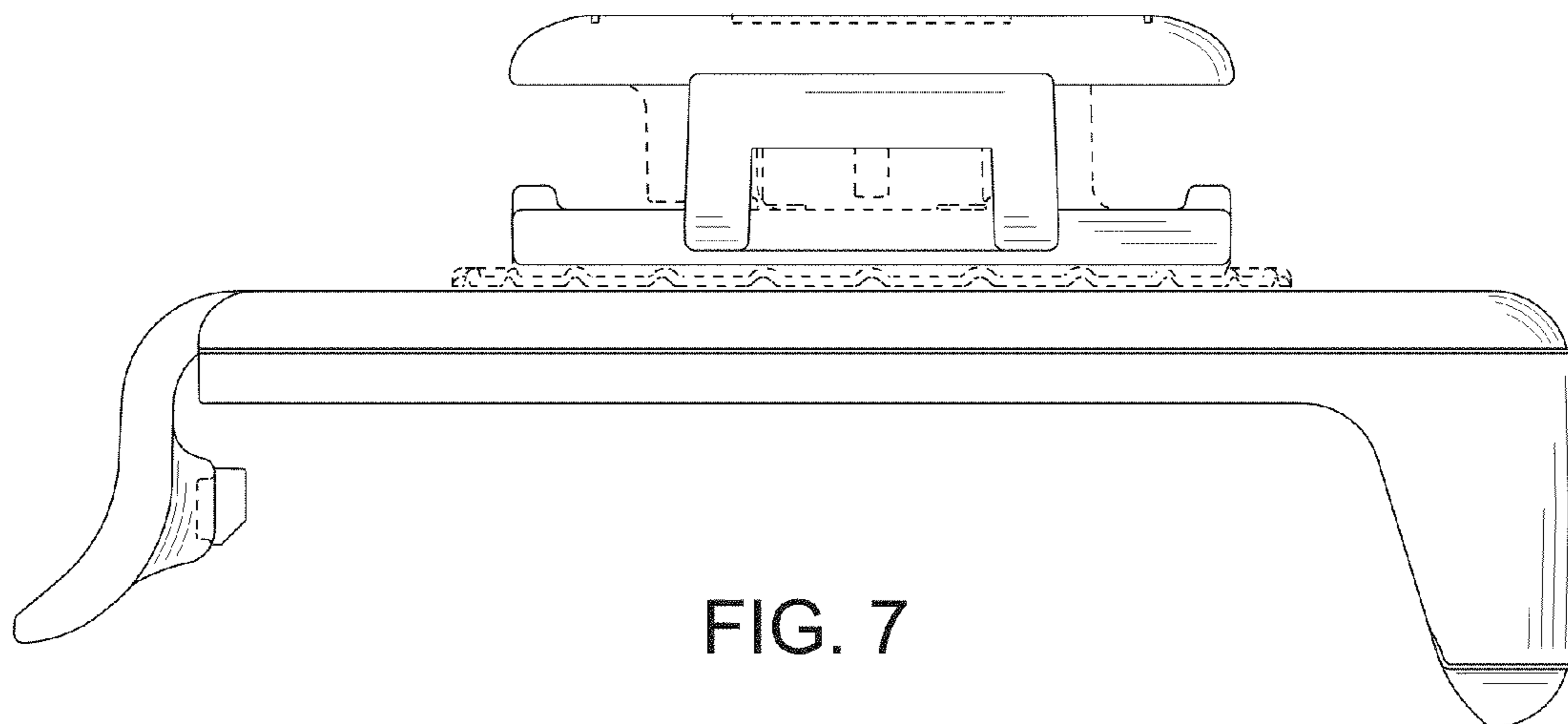


FIG. 7

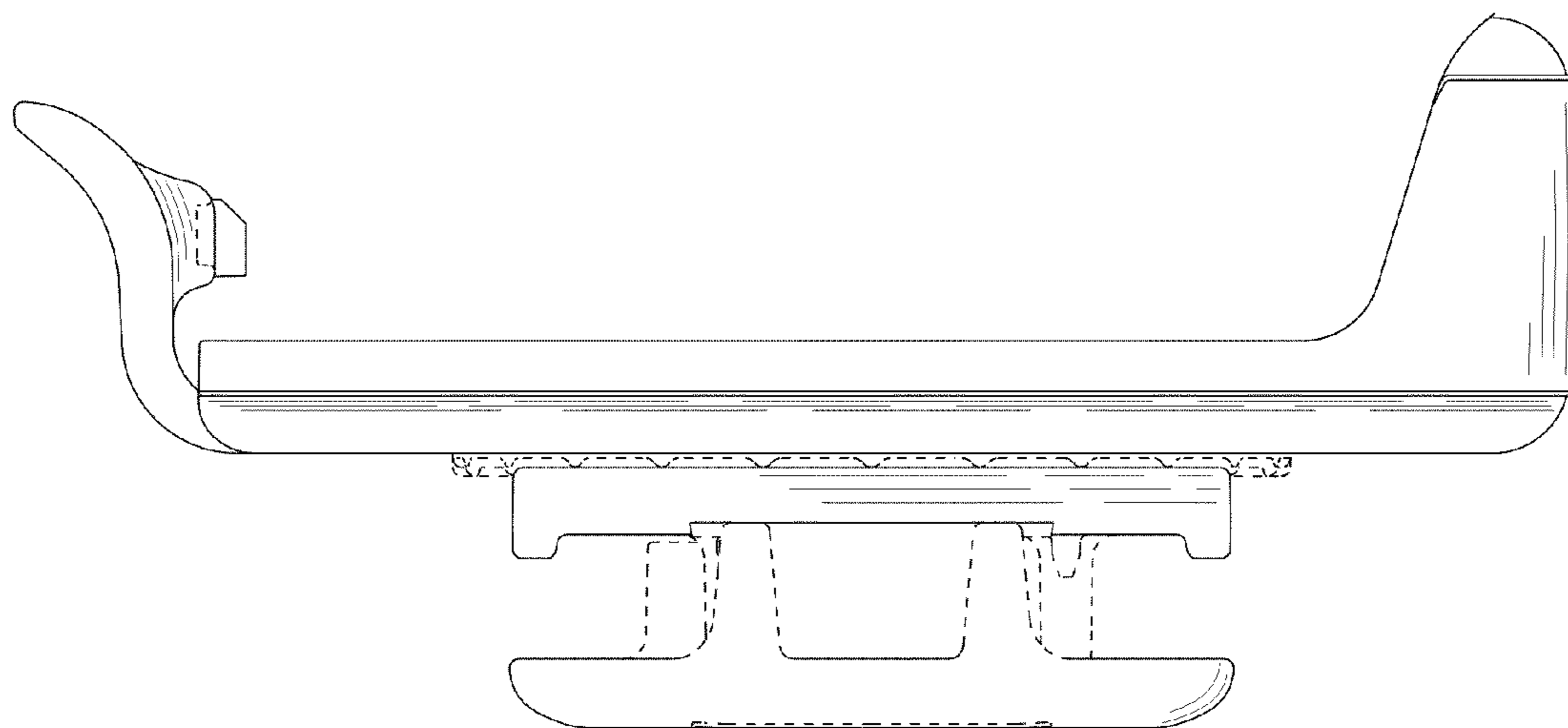


FIG. 8

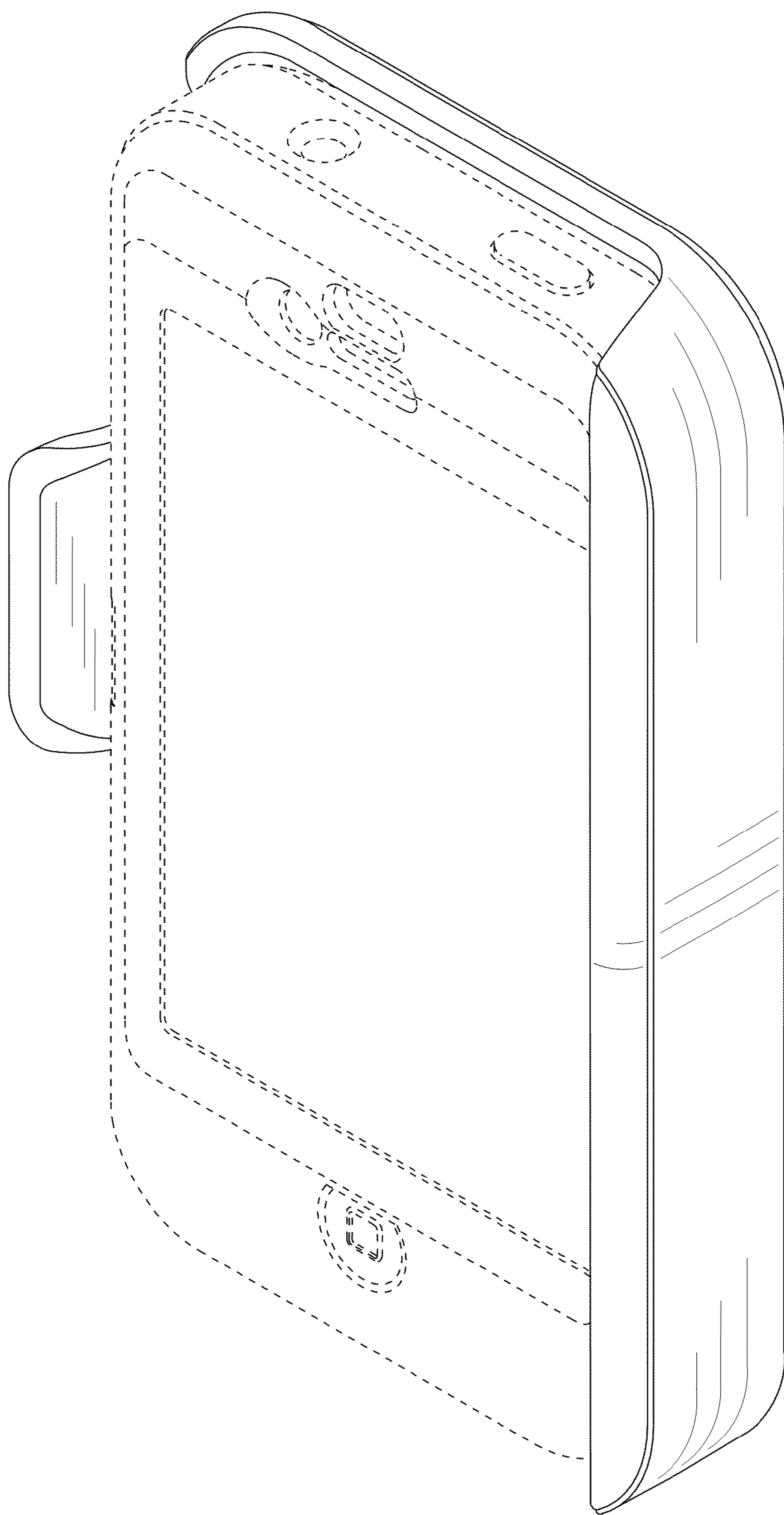


FIG. 9



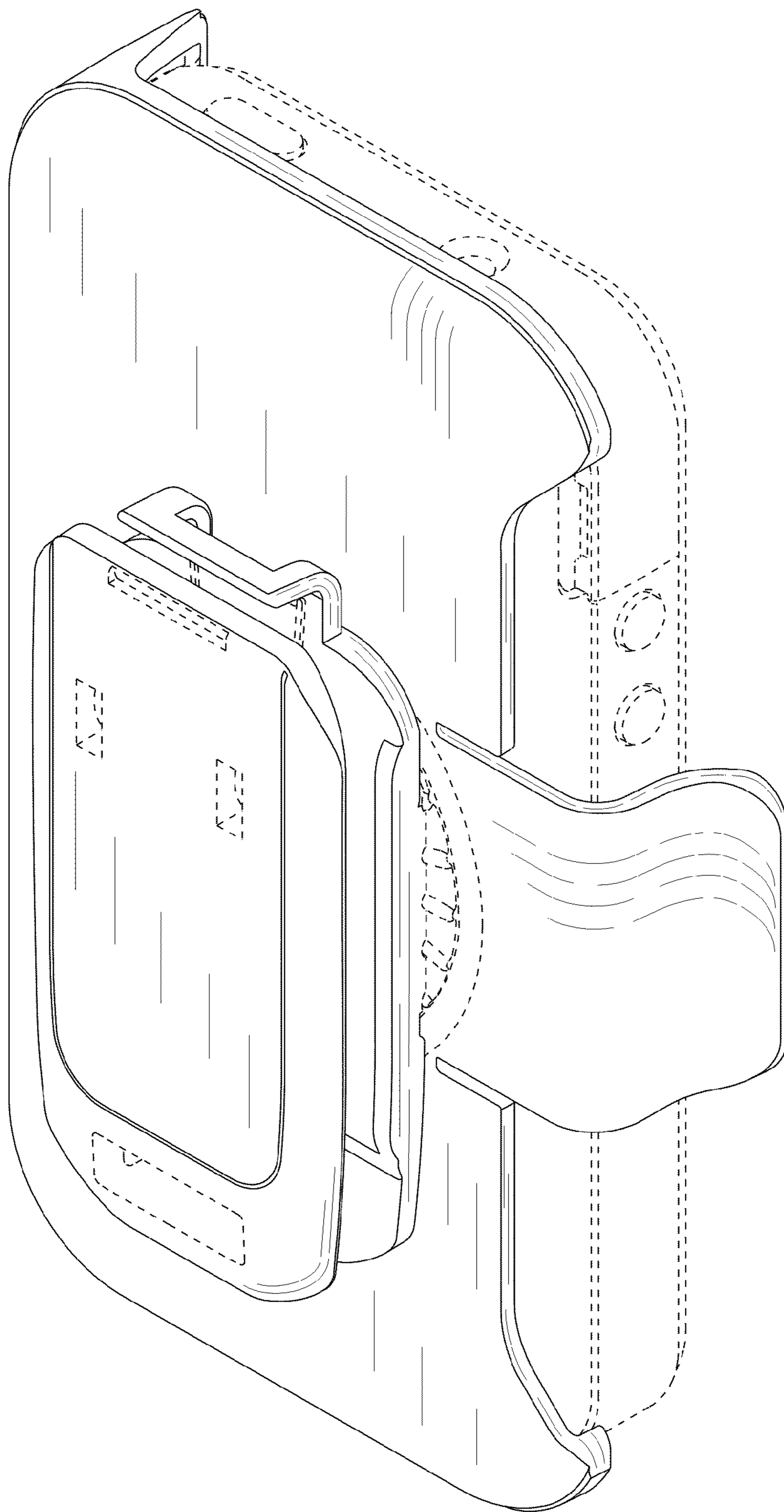


FIG. 10

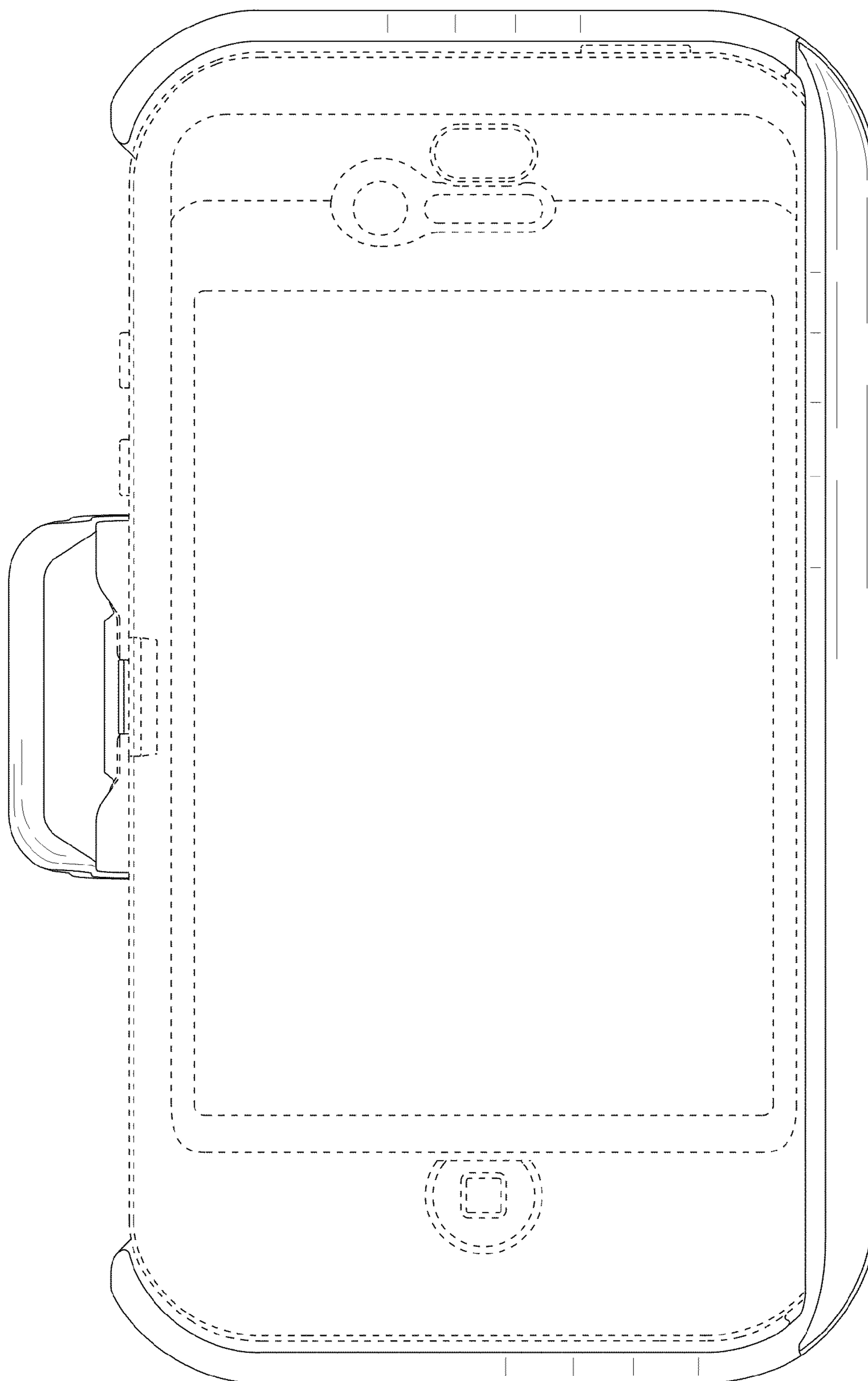


FIG. 11