



US00D649346S

(12) **United States Design Patent**  
**Davidson**

(10) **Patent No.:** **US D649,346 S**  
(45) **Date of Patent:** **\*\* Nov. 29, 2011**

(54) **PET WASTE COLLECTION CONTAINER**

(76) Inventor: **Susan Davidson**, Santa Barbara, CA  
(US)

(\*\*) Term: **14 Years**

(21) Appl. No.: **29/349,926**

(22) Filed: **May 19, 2010**

(51) **LOC (9) Cl.** ..... **03-01**

(52) **U.S. Cl.** ..... **D3/215**

(58) **Field of Classification Search** ..... D3/215,  
D3/226, 225, 230, 271.1, 271.2; D30/161-162,  
D30/199; 294/1.3, 55; 119/651, 867, 858;  
206/278-279; 224/236, 240, 245, 674, 933  
See application file for complete search history.

(56) **References Cited**

**U.S. PATENT DOCUMENTS**

4,148,510	A	*	4/1979	Brack et al.	.....	294/1.3
D434,194	S	*	11/2000	Bergquist	.....	D30/152
D453,067	S	*	1/2002	Cody	.....	D3/215
D538,038	S	*	3/2007	Iacchetti	.....	D3/271.1
D602,656	S	*	10/2009	Fuhrer	.....	D30/162
D613,007	S	*	3/2010	Anderson	.....	D30/162
D624,714	S	*	9/2010	Brochu	.....	D30/162

\* cited by examiner

*Primary Examiner* — Catheri Oliver

(57) **CLAIM**

The ornamental design for pet waste collection container, as shown and described.

**DESCRIPTION**

FIG. 1 is a top perspective view of the rear of the exterior of the pet waste collection container.

FIG. 2 is a bottom perspective view of the front of the exterior of the pet waste collection container.

FIG. 3 is a bottom perspective view of the rear of the exterior of the pet waste collection container.

FIG. 4 is a plan view of the exterior of the rear of the pet waste collection container.

FIG. 5 is a plan view of the exterior of the front of the pet waste collection container.

FIG. 6 is a plan view of the exterior of the rear of the pet waste collection container.

FIG. 7 is a side view of the exterior of the pet waste collection container.

FIG. 8 is a top view of the exterior of the pet waste collection container.

FIG. 9 is a perspective view of the exterior portion of the front side of the pet waste collection container.

FIG. 10 is a perspective view of the interior portion of the front side of the pet waste collection container shown in FIG. 9.

FIG. 11 is a perspective view of the front of the rear of the middle part in the interior of the pet waste collection container.

FIG. 12 is a perspective view of the rear of the middle part in the interior portion of the pet waste collection container.

FIG. 13 is a top view of the portion of the pet waste collection container shown in FIG. 11.

FIG. 14 is a top view of the view seen in FIG. 13 of the pet waste collection container.

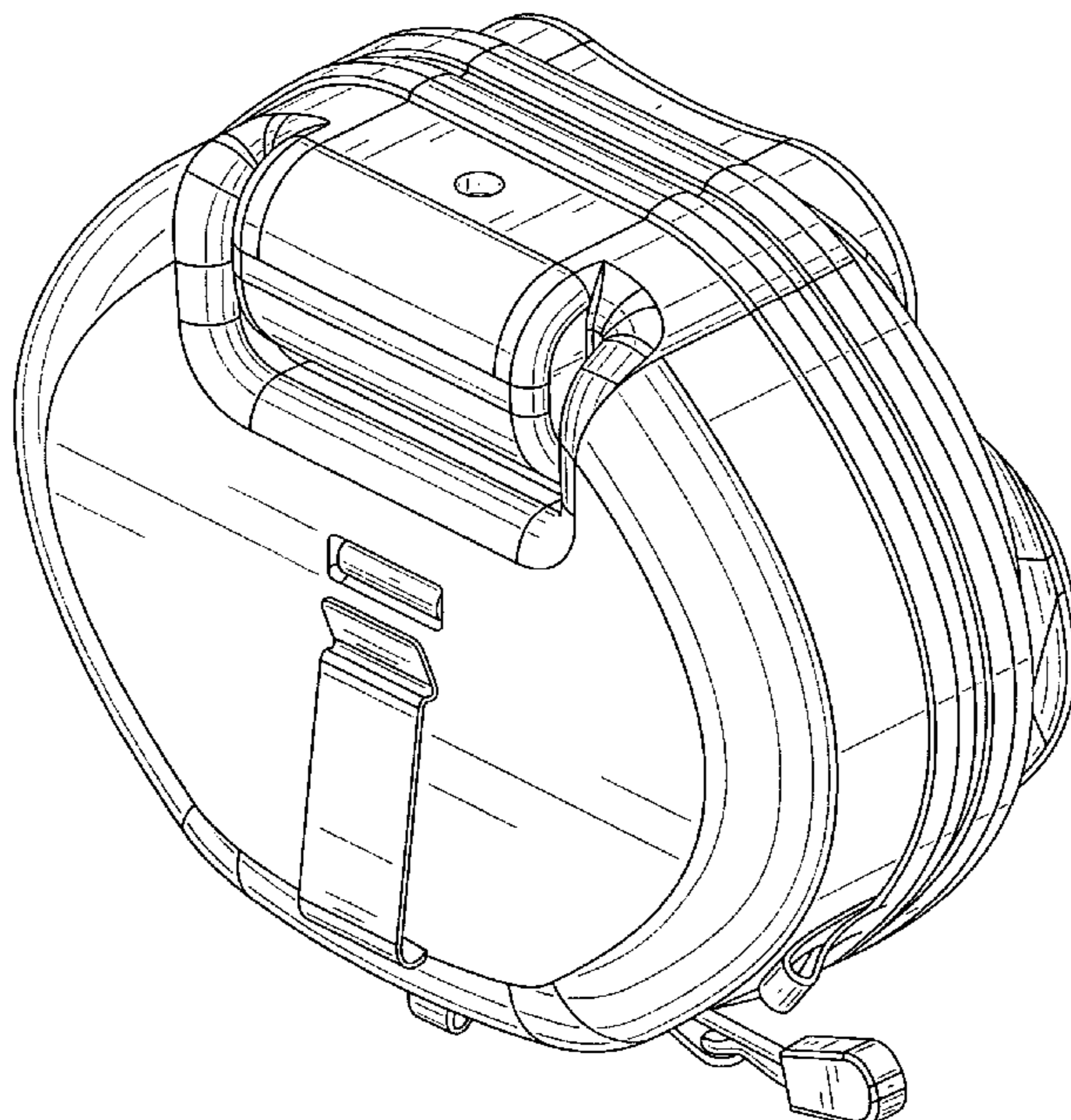
FIG. 15 is a bottom view of the rear compartment in the interior of the pet waste collection container.

FIG. 16 is the view as shown in FIG. 15, with a role of tissues included therein of the pet waste collection container.

FIG. 17 is a perspective view of the rear of the exterior of the pet waste collection container; and,

FIG. 18 is the view shown in FIG. 17 of the pet waste collection container, but with a belt clip attached.

**1 Claim, 18 Drawing Sheets**



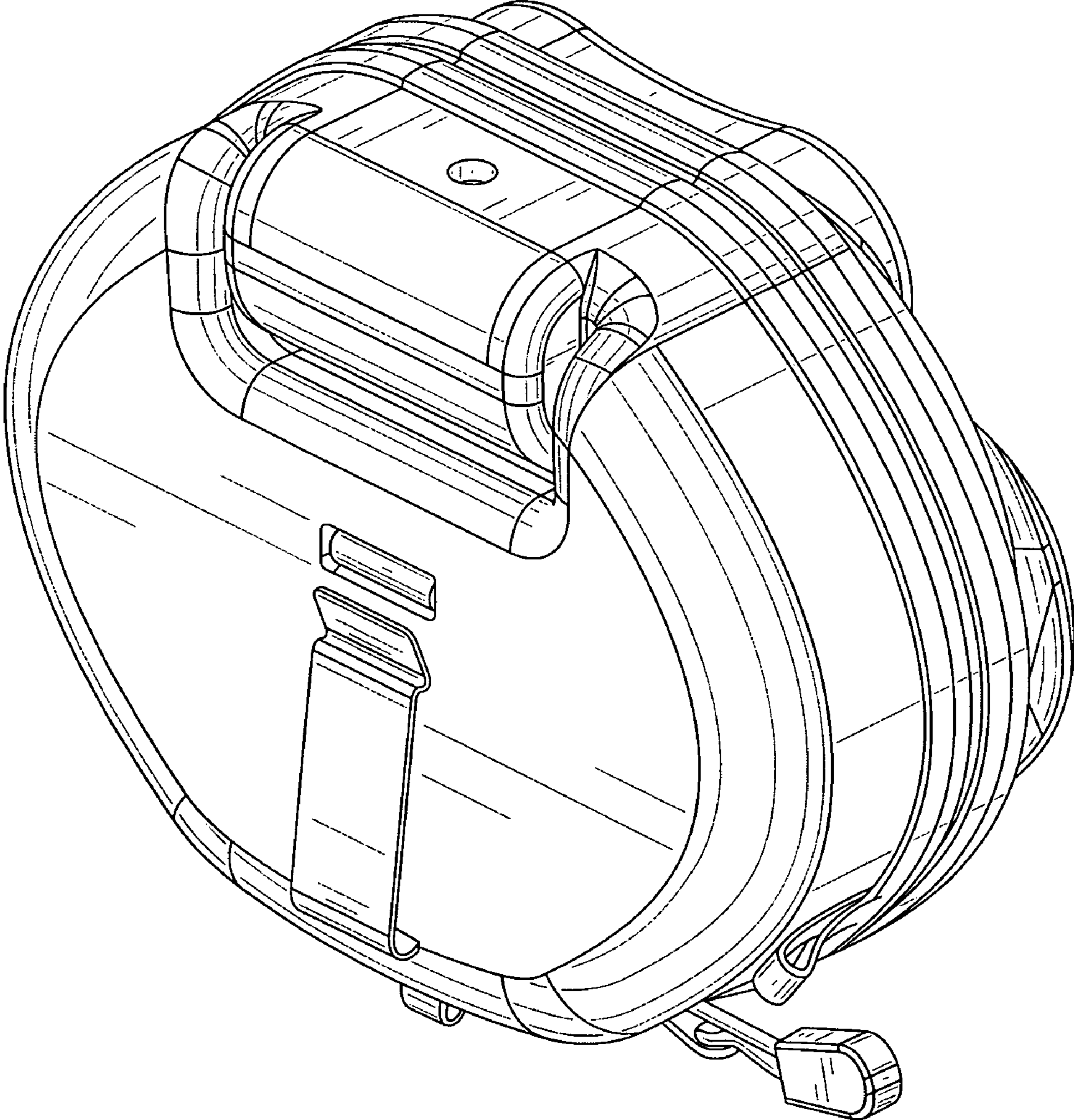


FIG. 1



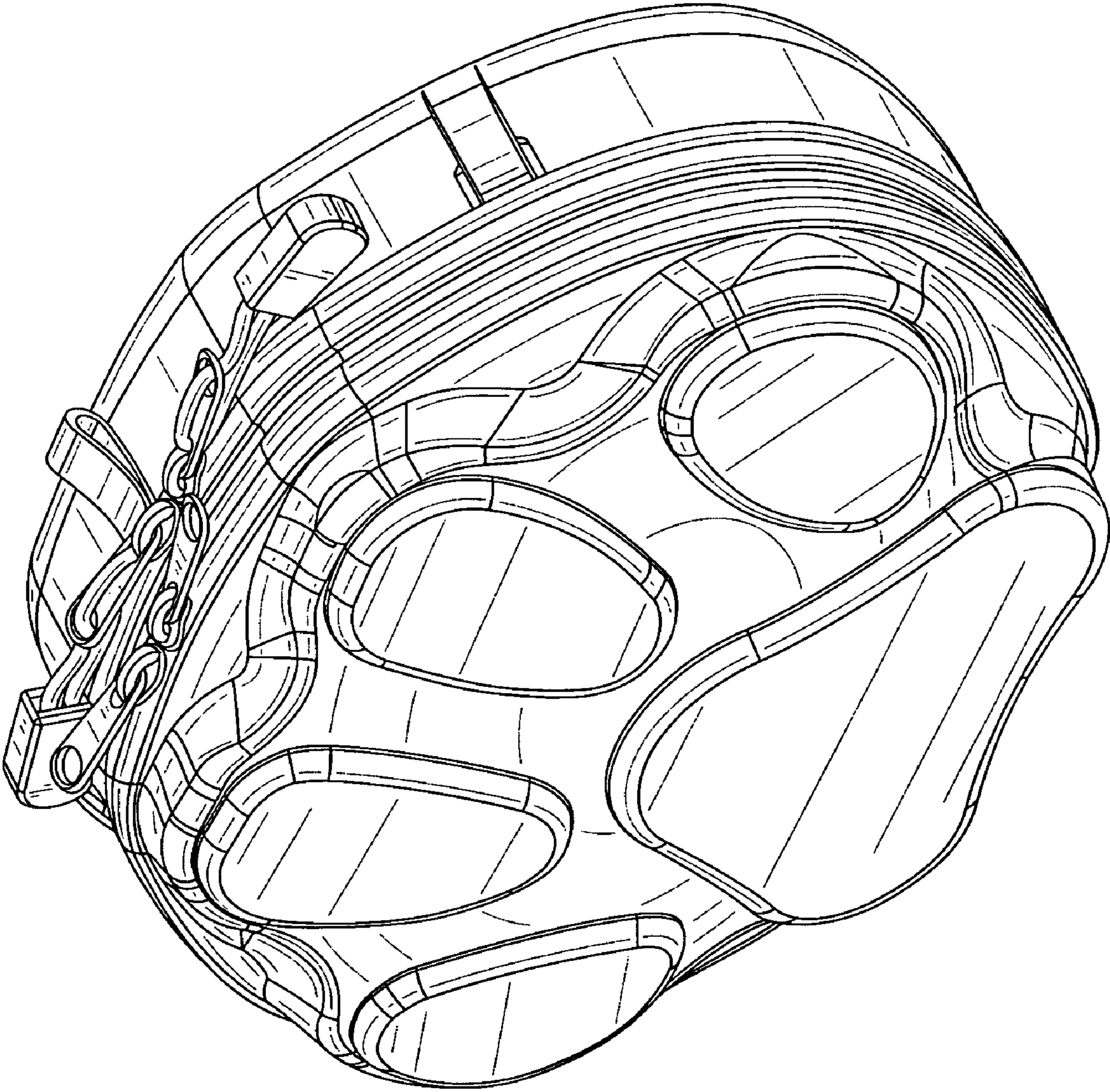


FIG. 2

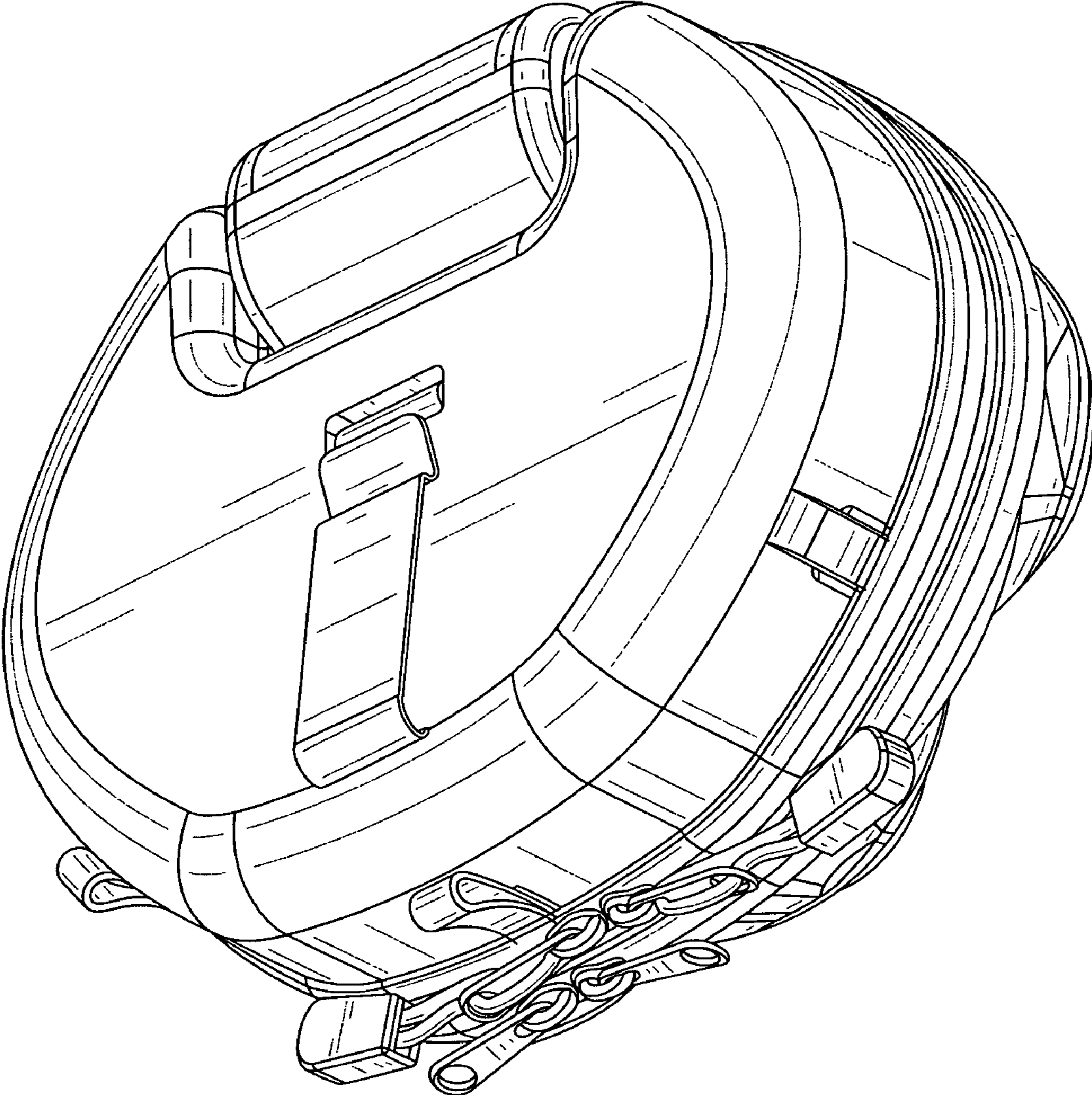


FIG. 3

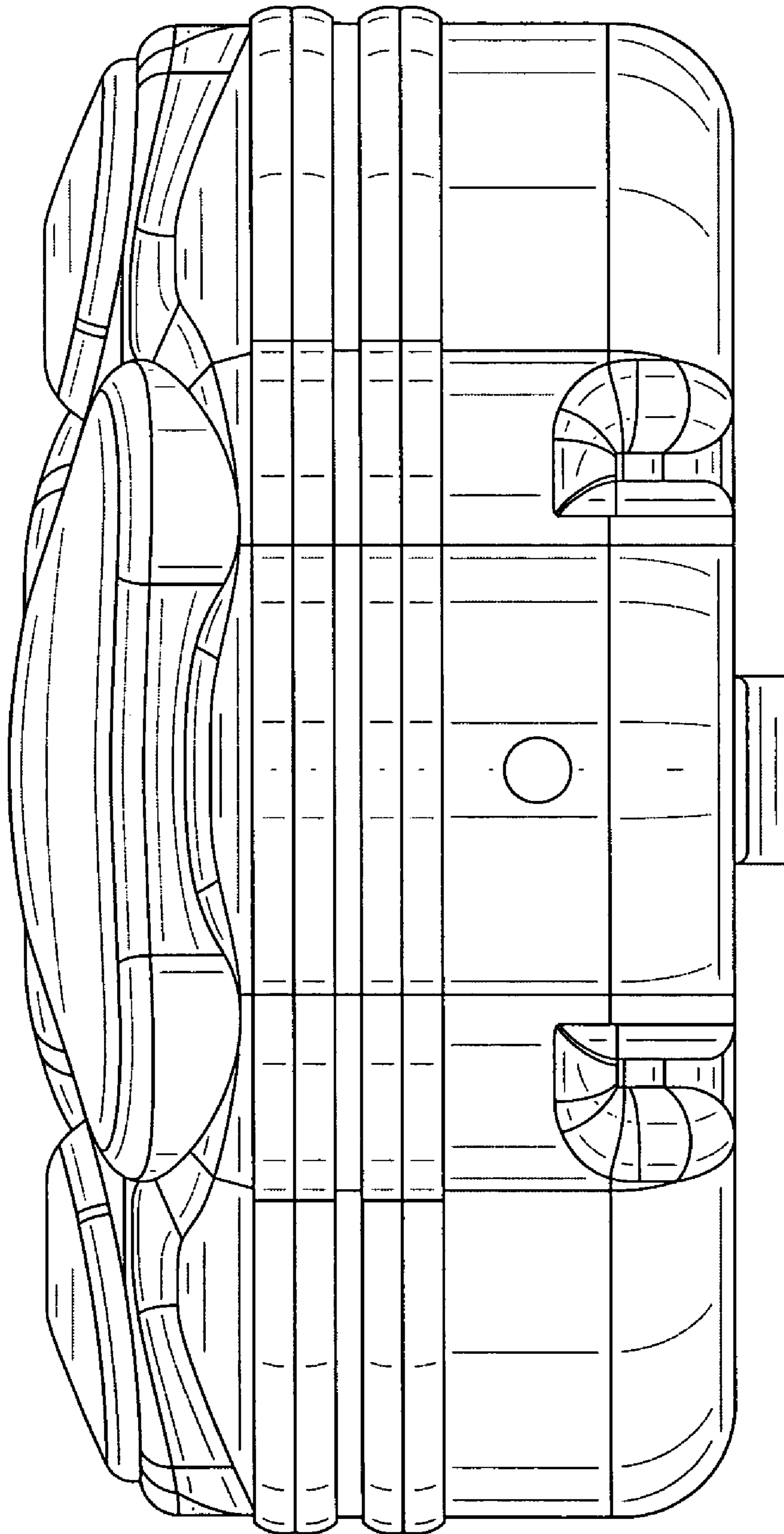


FIG. 4



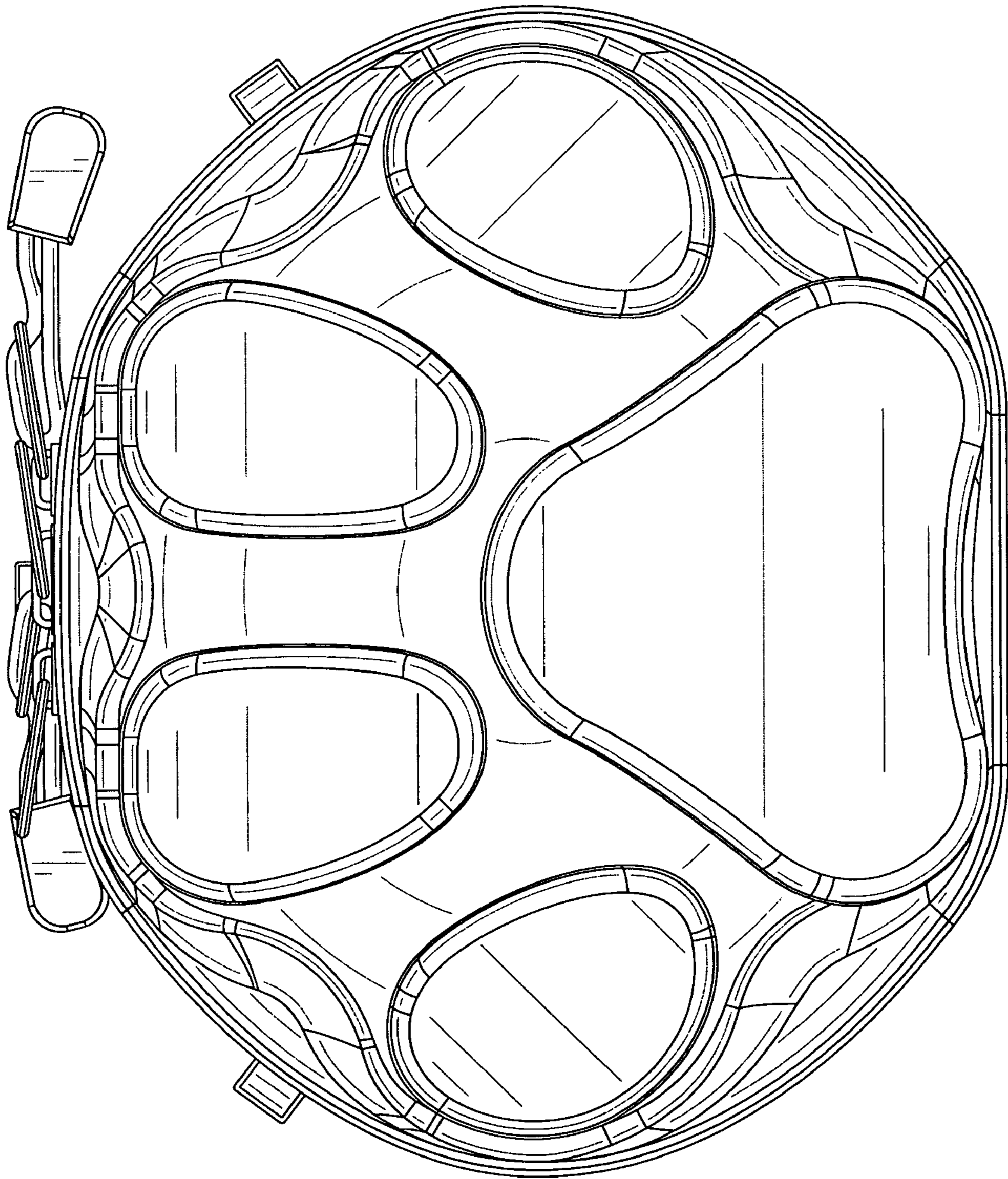


FIG. 5

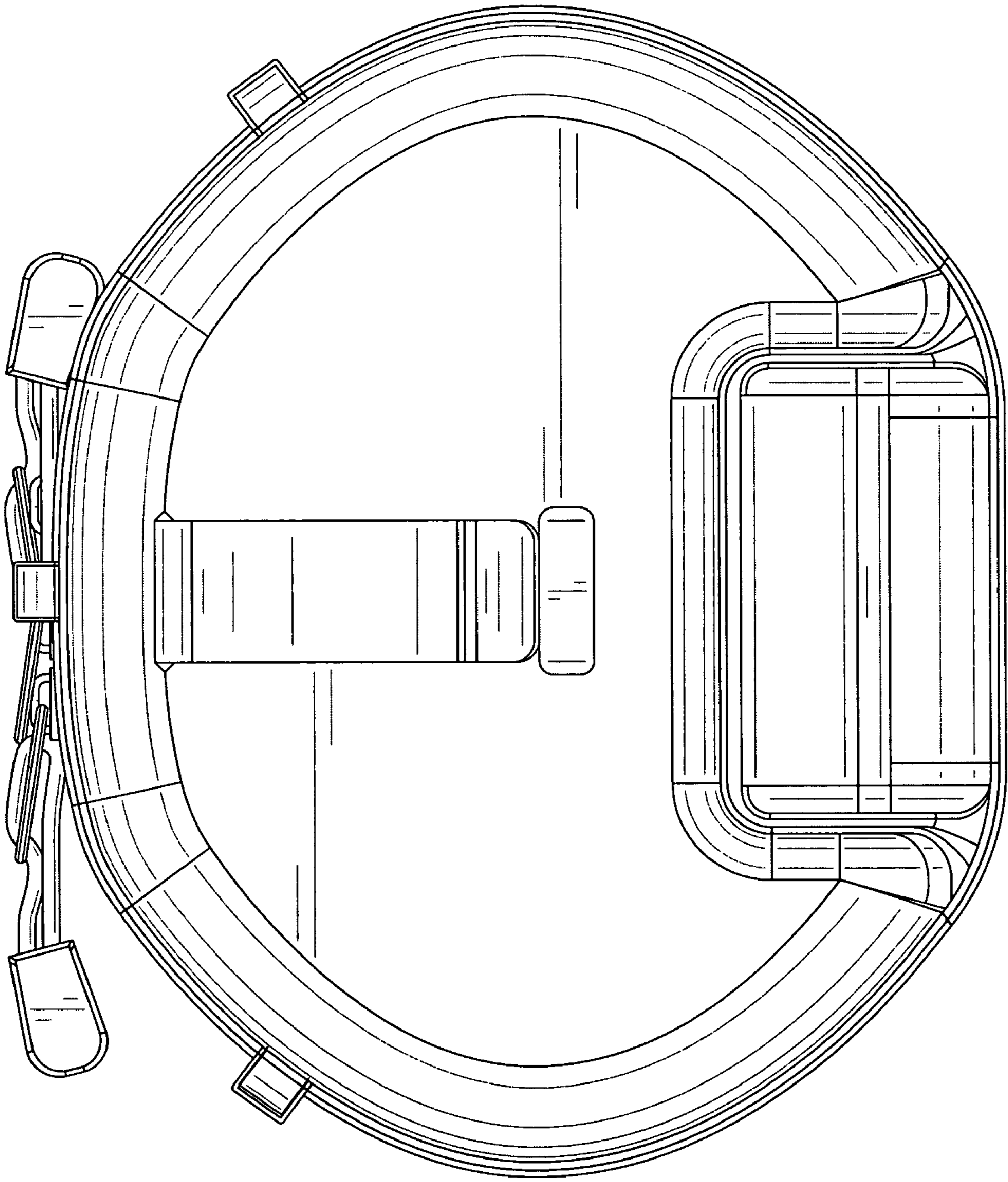


FIG. 6

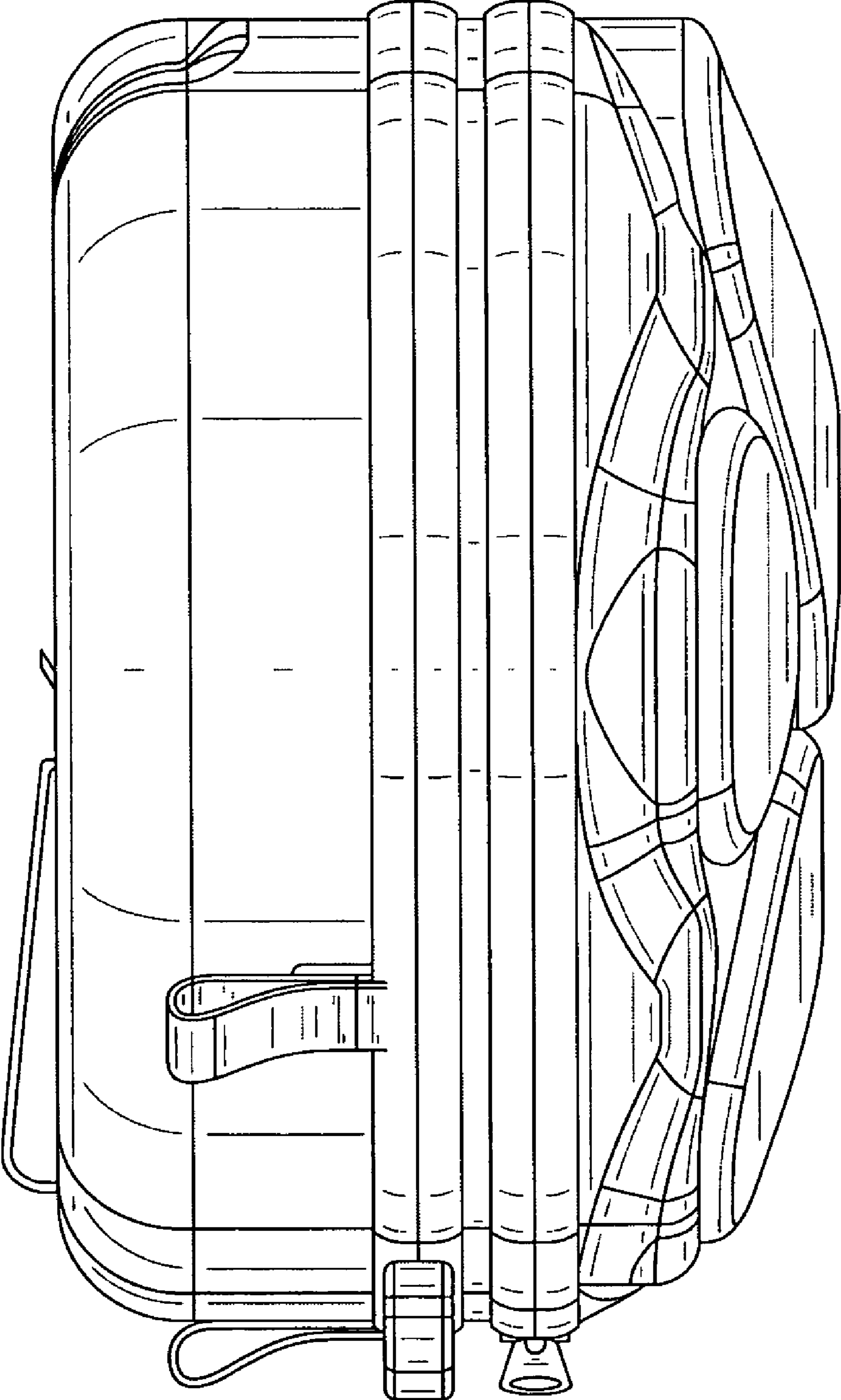


FIG. 7



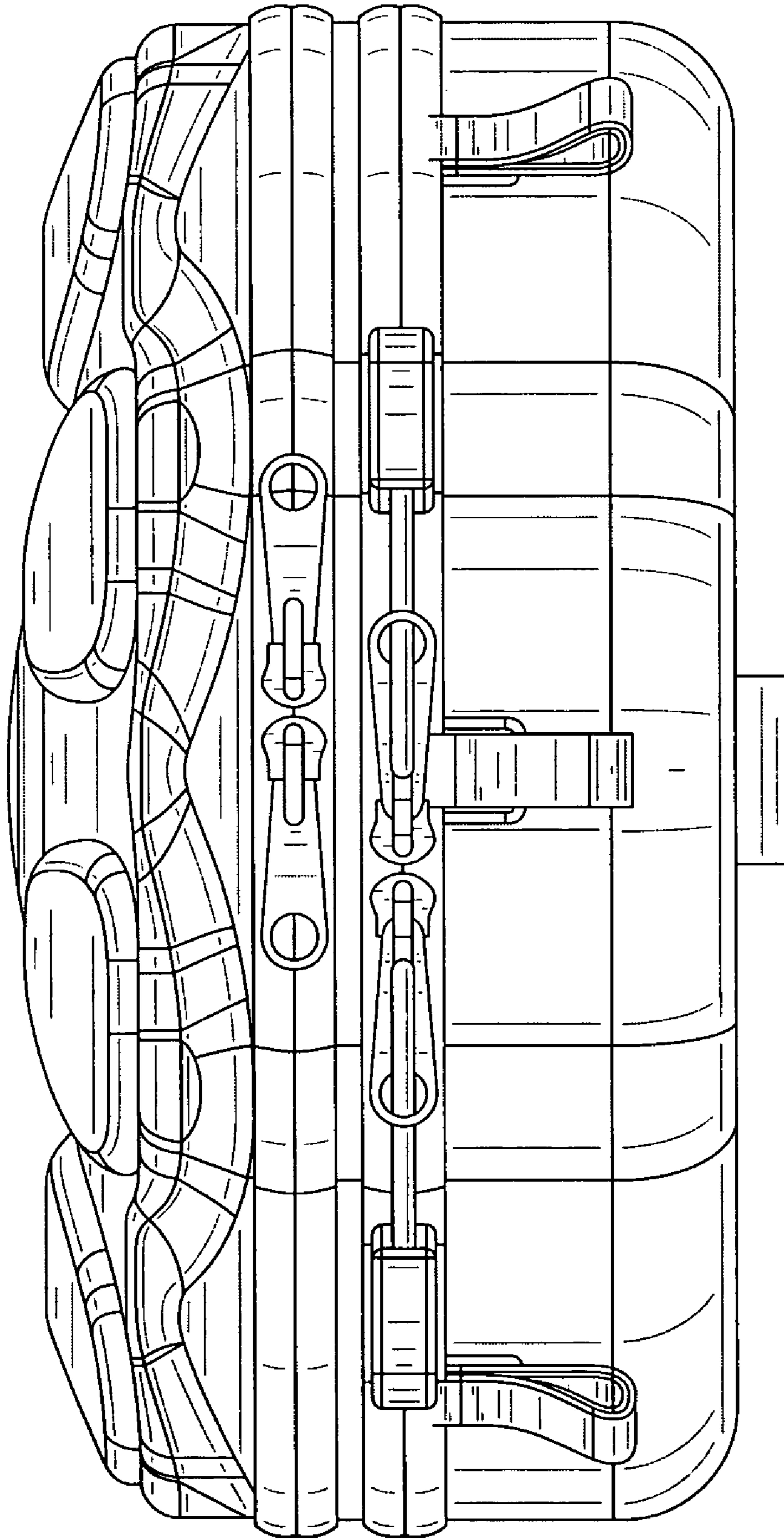


FIG. 8

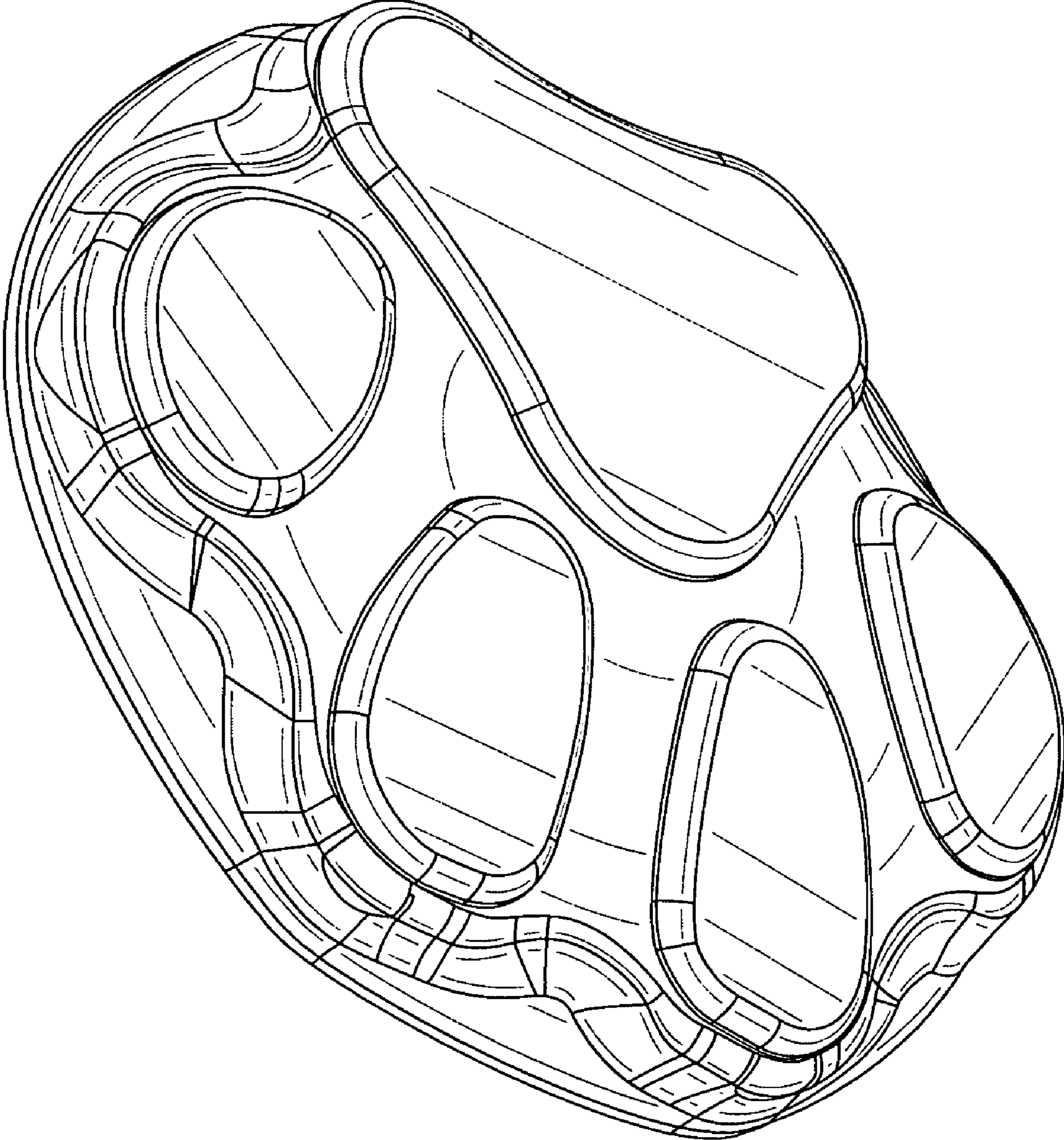


FIG. 9

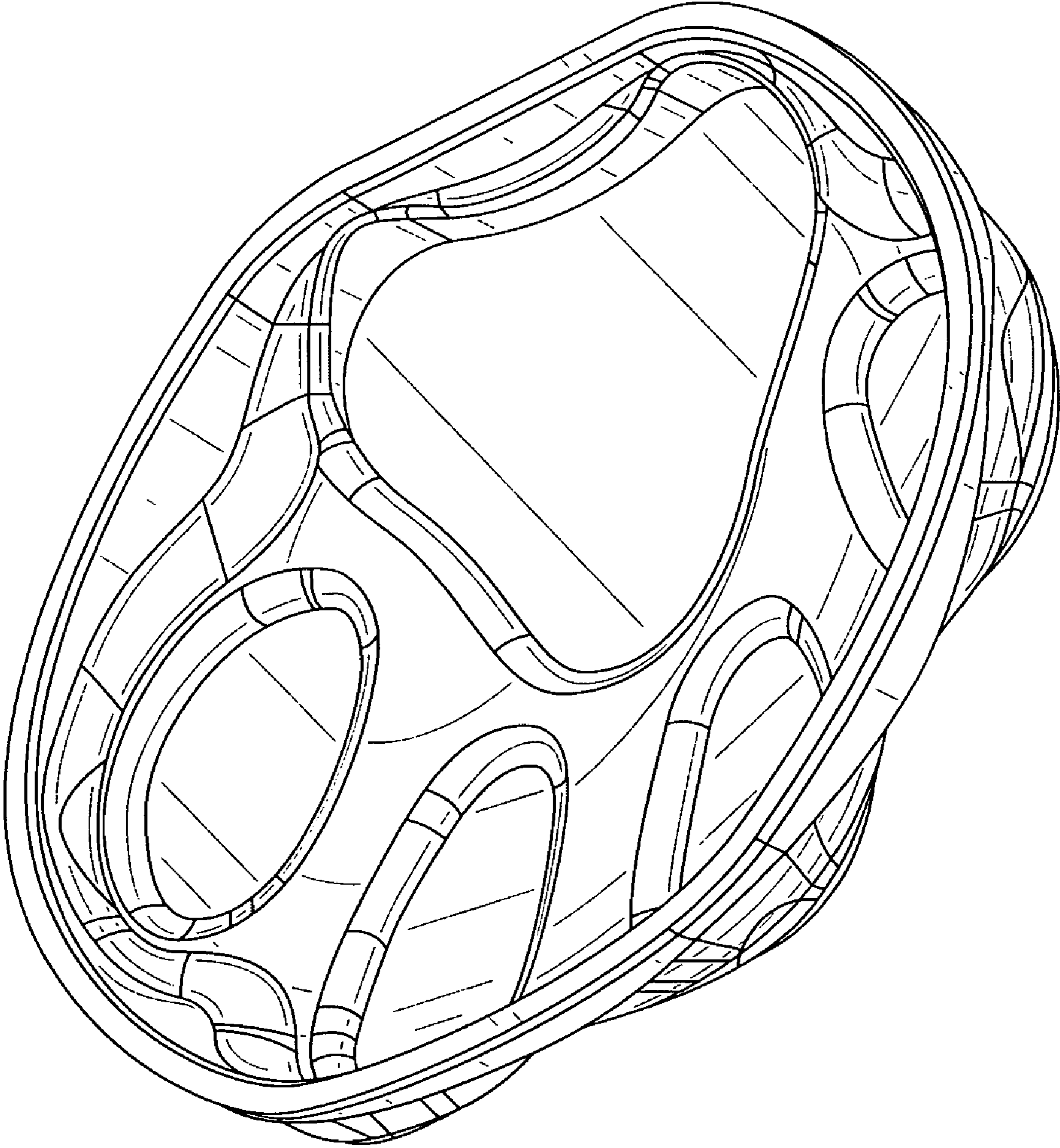


FIG. 10



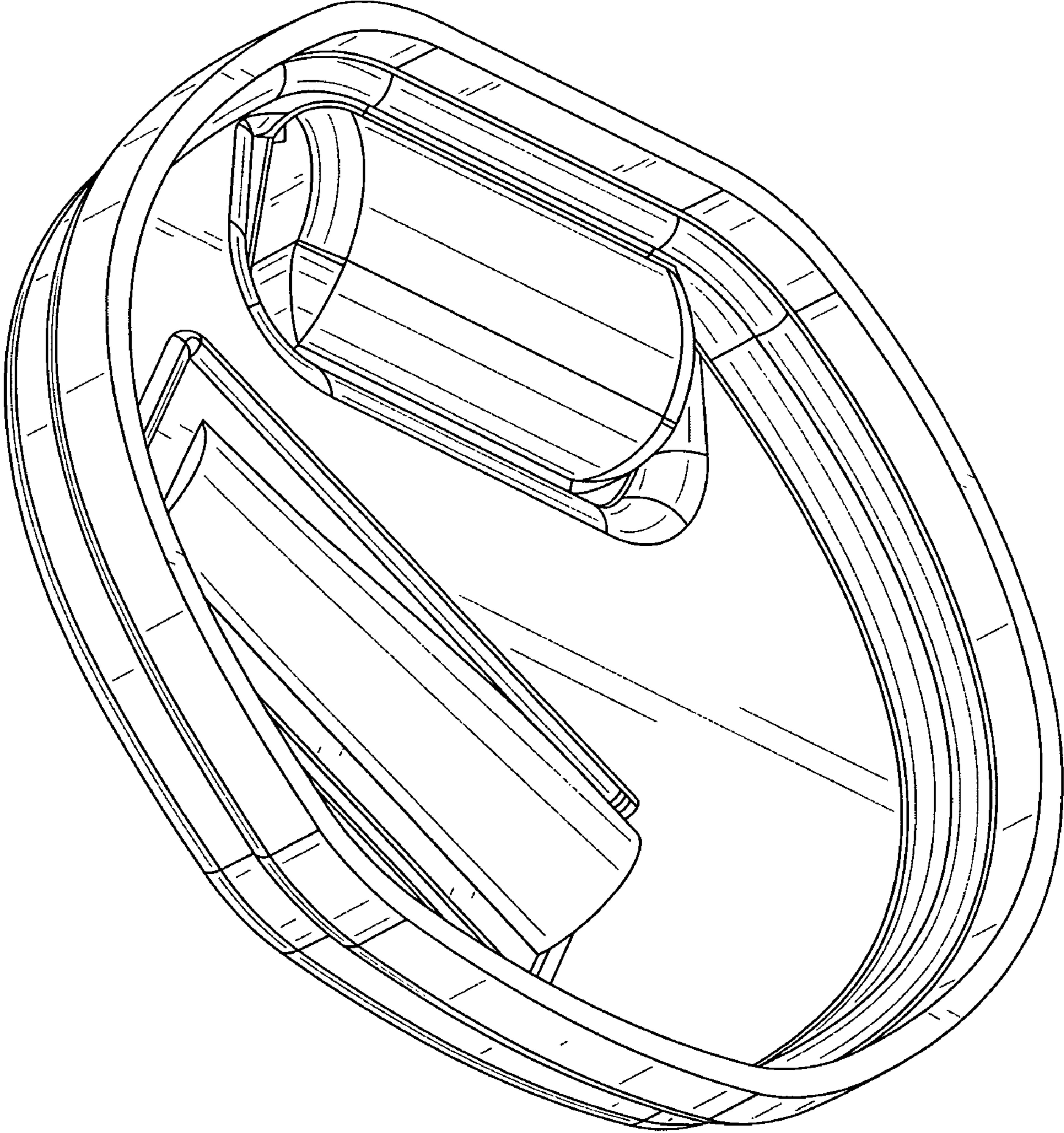


FIG. 11

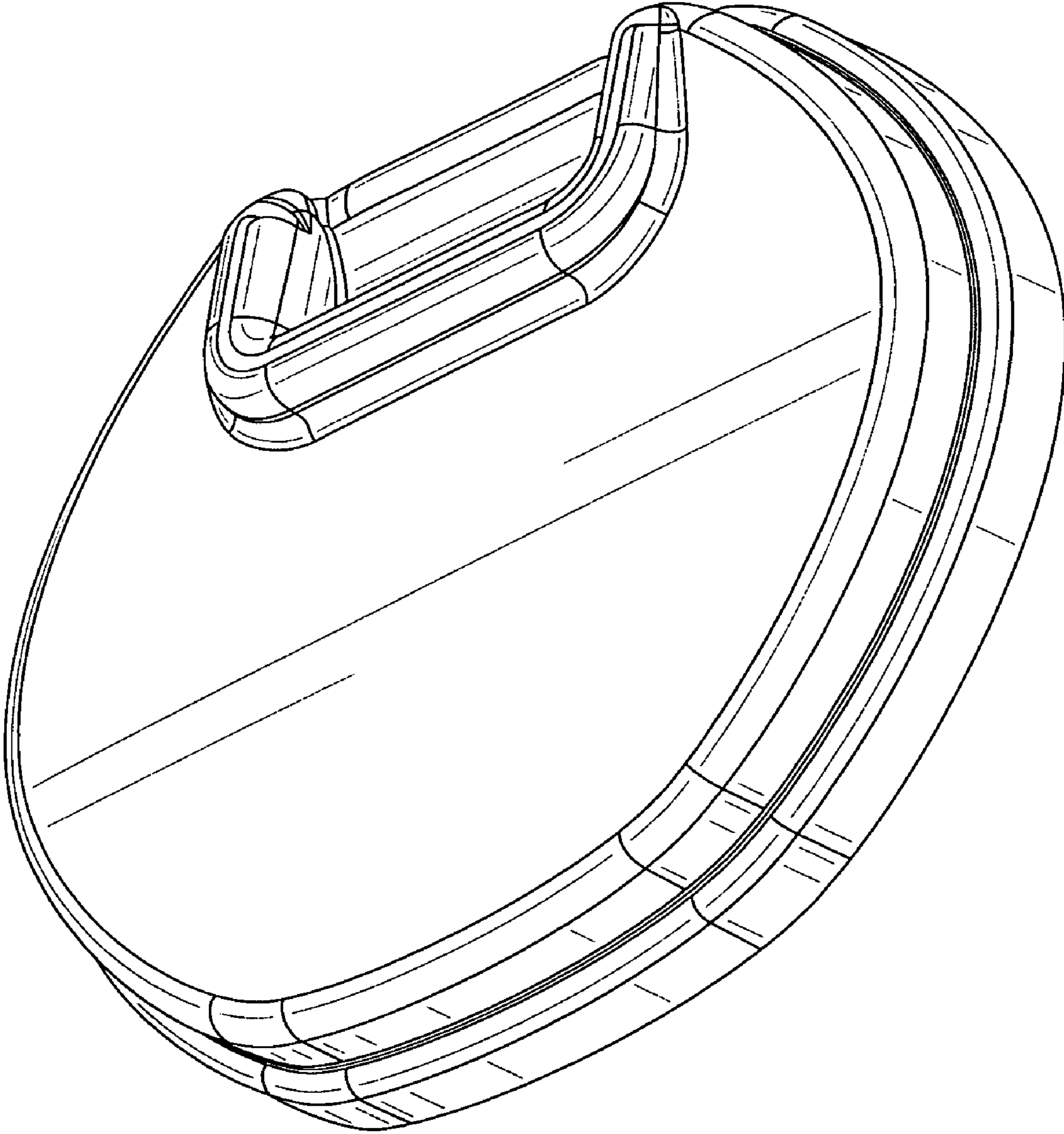


FIG. 12

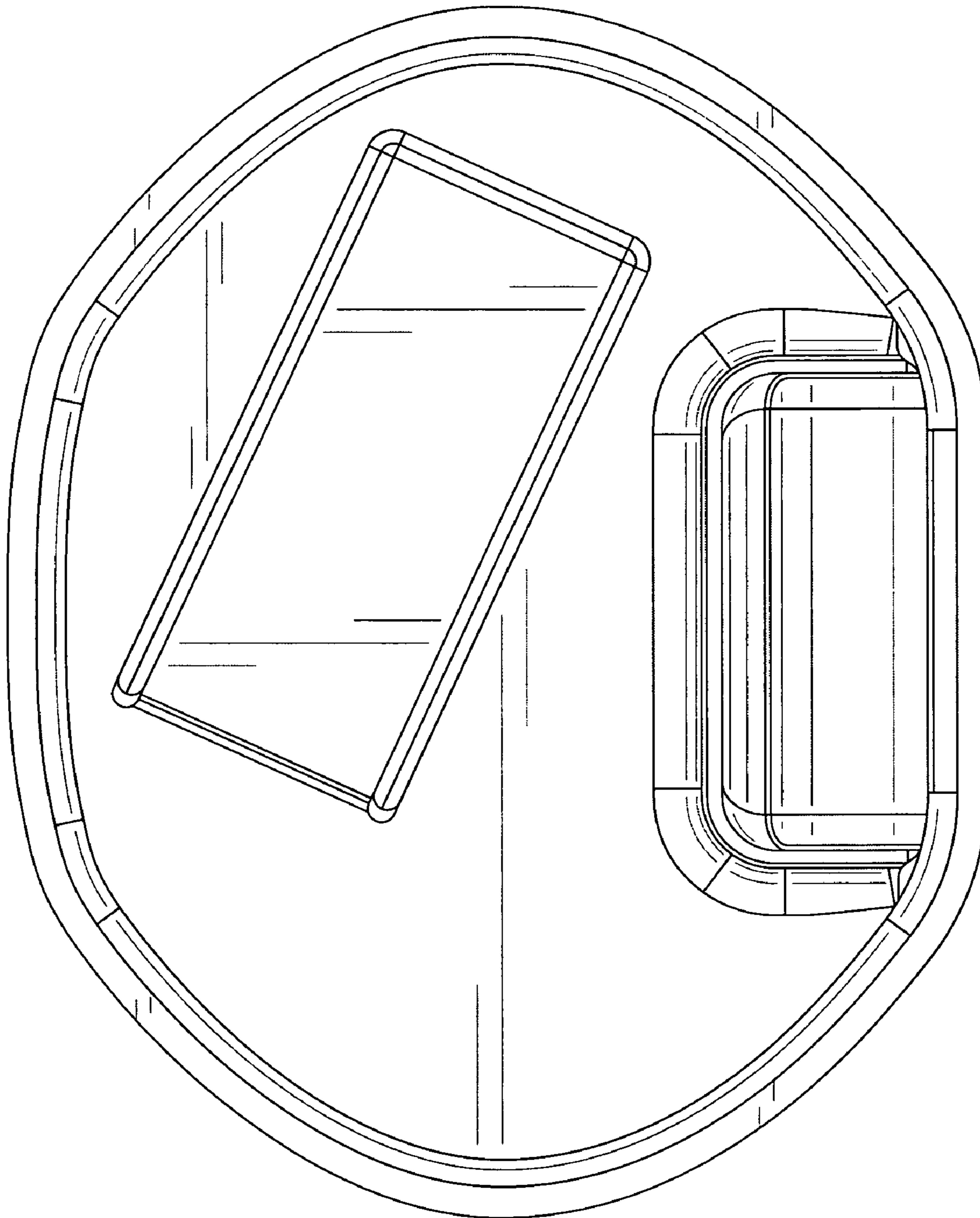


FIG. 13



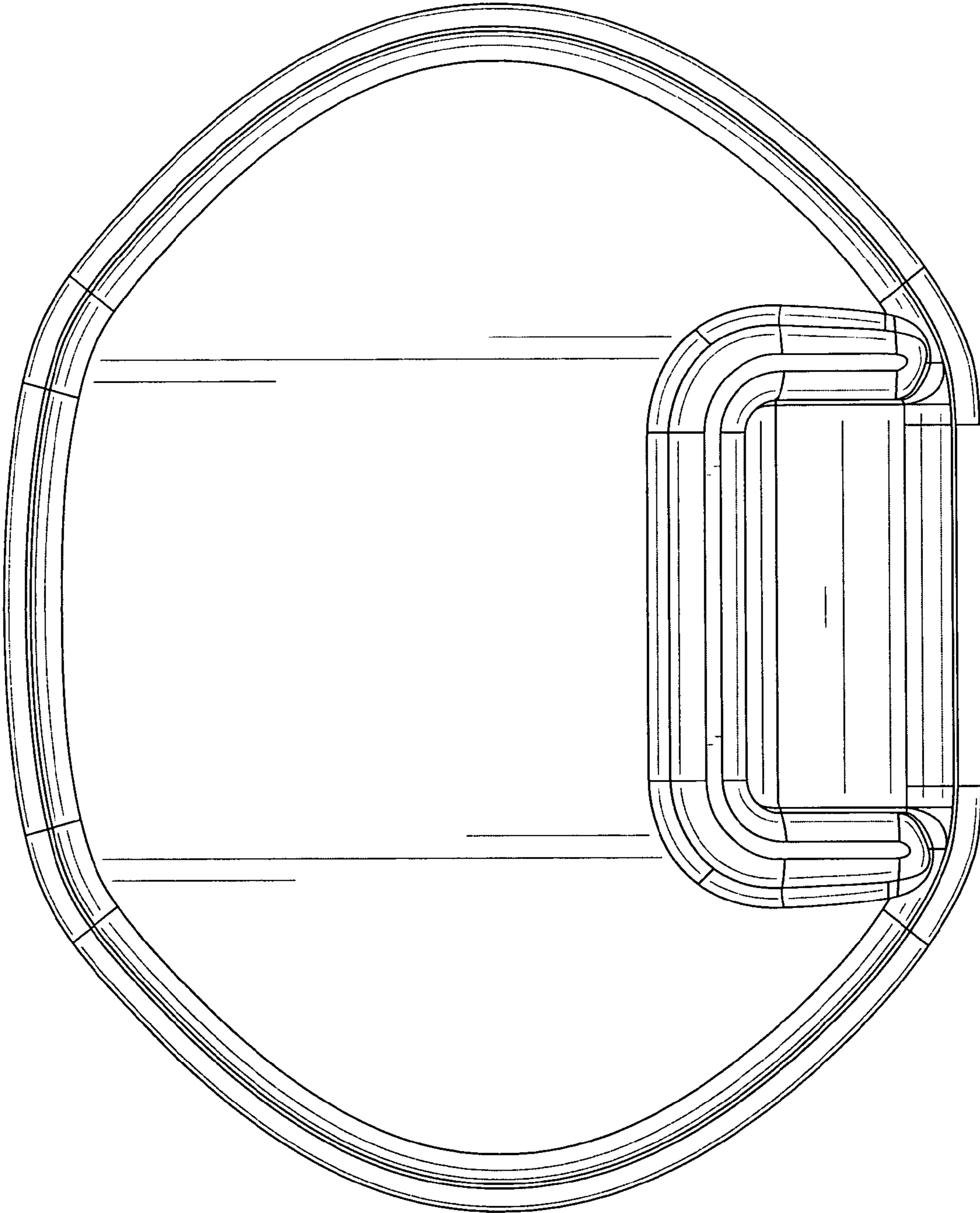


FIG. 14

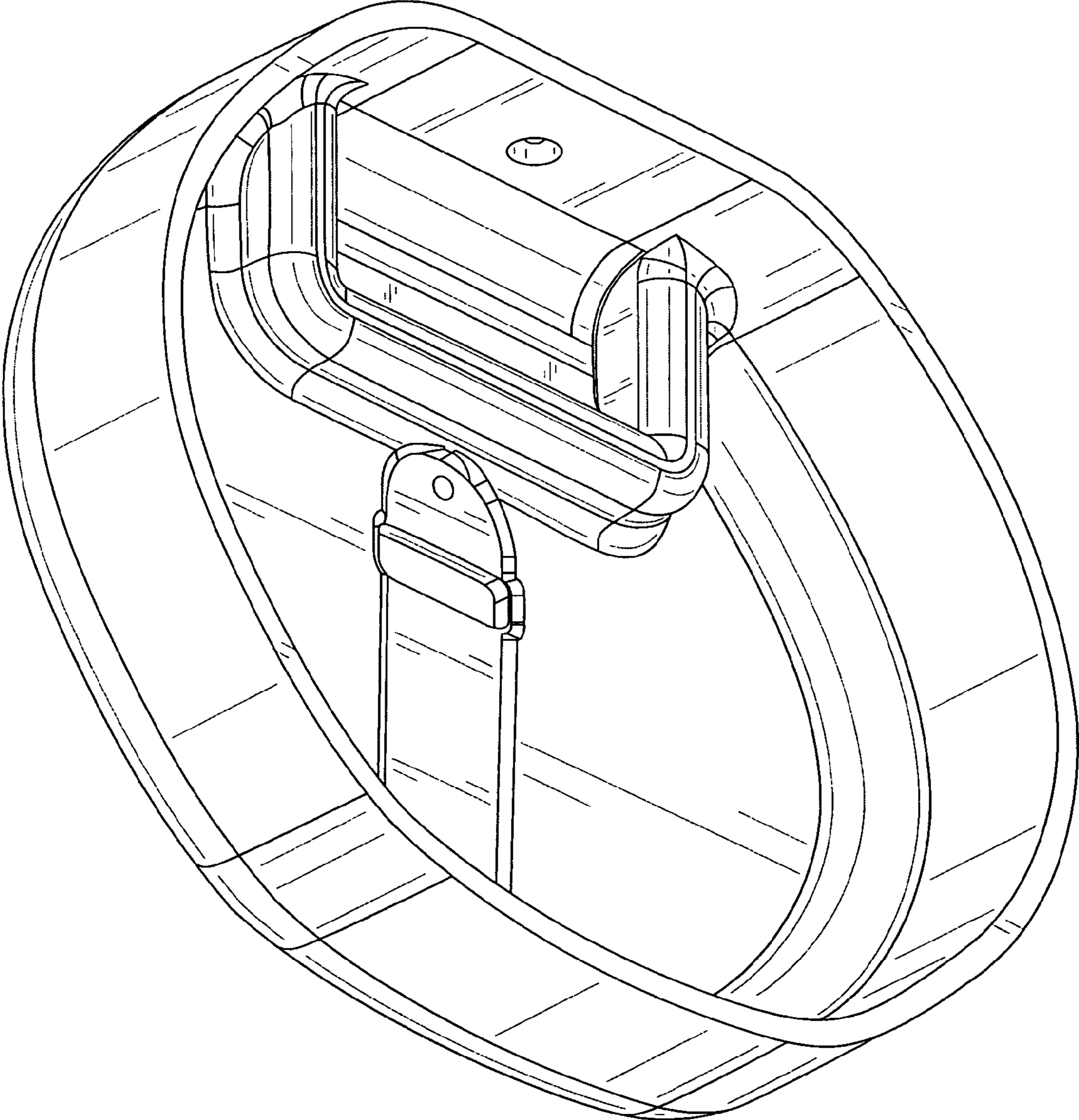


FIG. 15

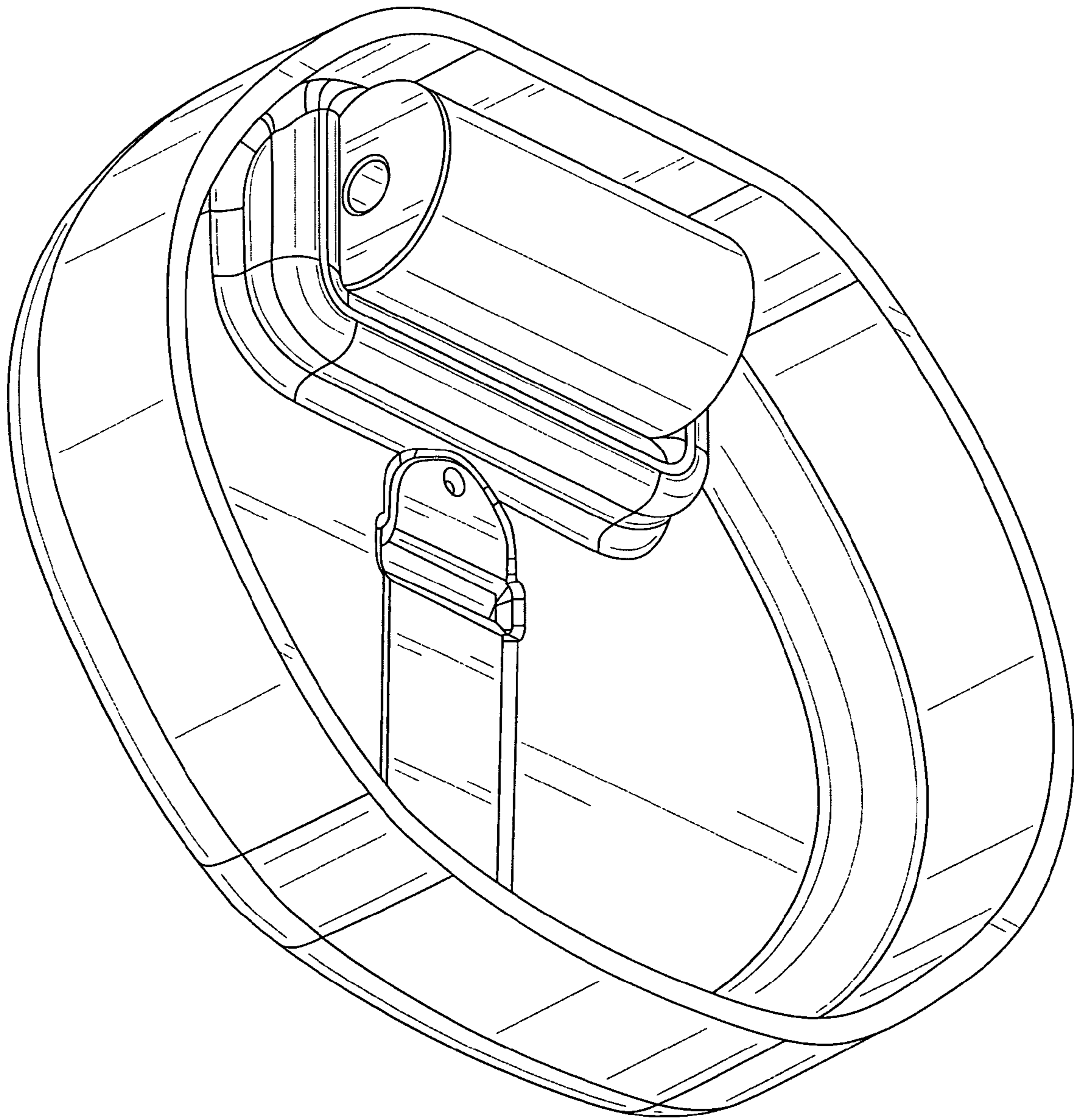


FIG. 16



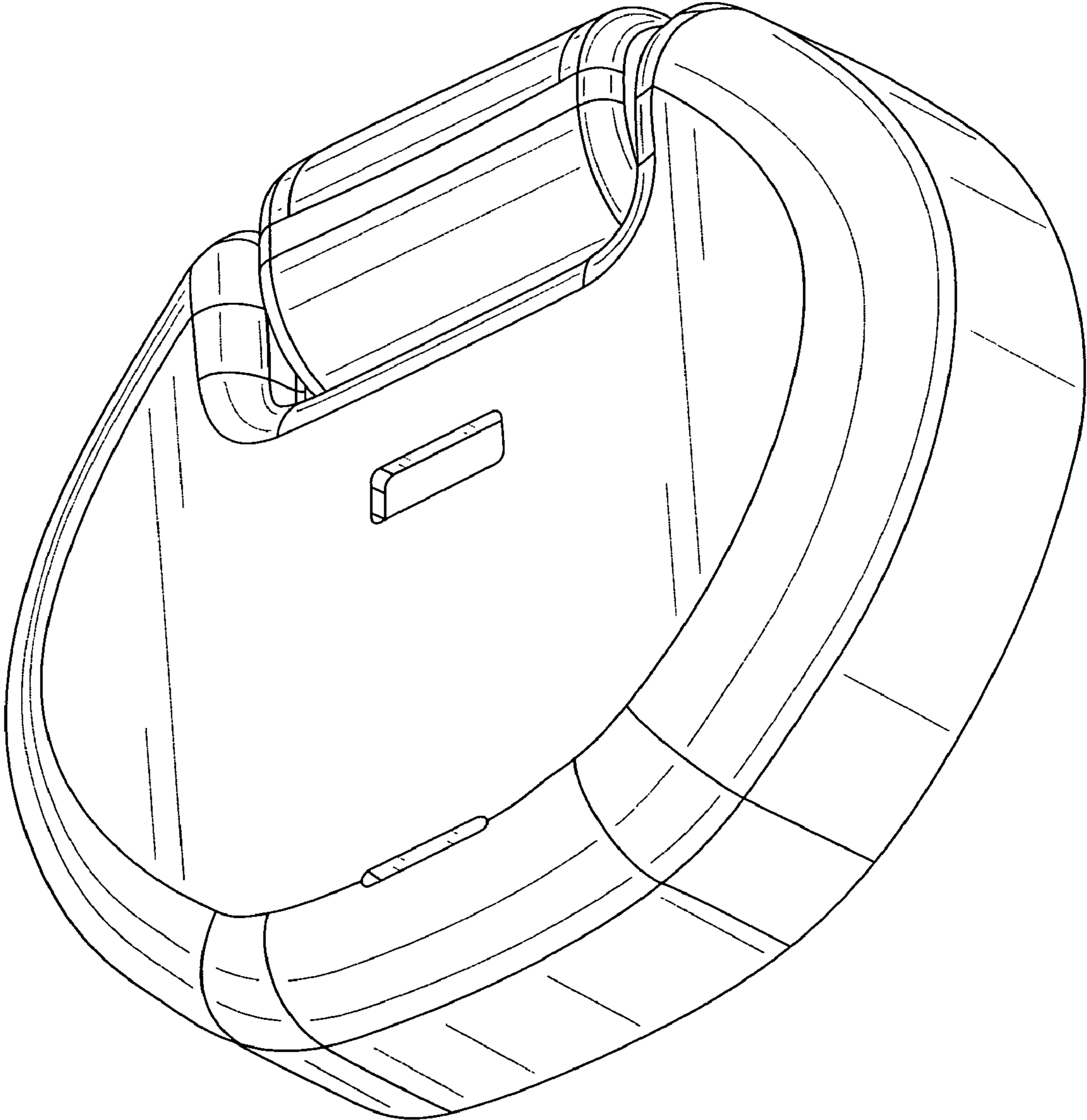


FIG. 17

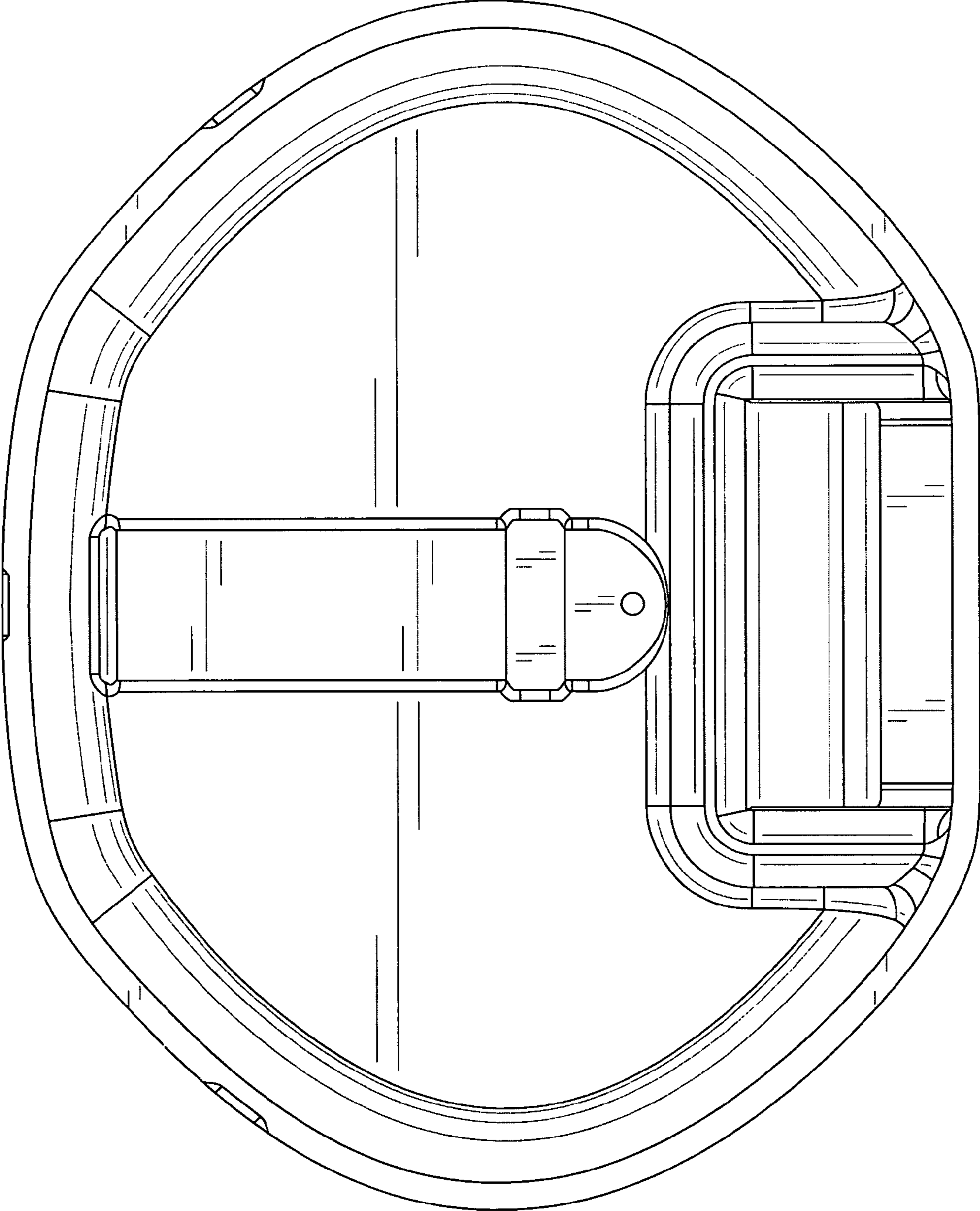


FIG. 18