



US00D649342S

(12) **United States Design Patent**
Sackett

(10) **Patent No.:** **US D649,342 S**

(45) **Date of Patent:** **** Nov. 29, 2011**

(54) **MEDICAL SUPPLY LIFE BOX**

(76) Inventor: **Lee C. Sackett**, Concord, OH (US)

(**) Term: **14 Years**

(21) Appl. No.: **29/316,628**

(22) Filed: **Oct. 16, 2009**

(51) **LOC (9) Cl.** **03-01**

(52) **U.S. Cl.** **D3/203.6**

(58) **Field of Classification Search** D3/201-205,
D3/272-284, 900-905, 271.1, 288; 206/532-540,
206/581

See application file for complete search history.

(56) **References Cited**

U.S. PATENT DOCUMENTS

D68,268 S *	9/1925	Miller	D3/903
D145,008 S *	6/1946	Crane	D3/901
D165,807 S *	1/1952	Weill	D3/903

* cited by examiner

Primary Examiner — Catheri Oliver

(74) *Attorney, Agent, or Firm* — Joseph H. Taddeo

(57) **CLAIM**

The ornamental design for a medical supply life box, as shown and described.

DESCRIPTION

FIG. 1 is a perspective view of the medical supply life box showing my new design;

FIG. 2 is a front view thereof;

FIG. 3 is a rear view thereof;

FIG. 4 is a top view thereof;

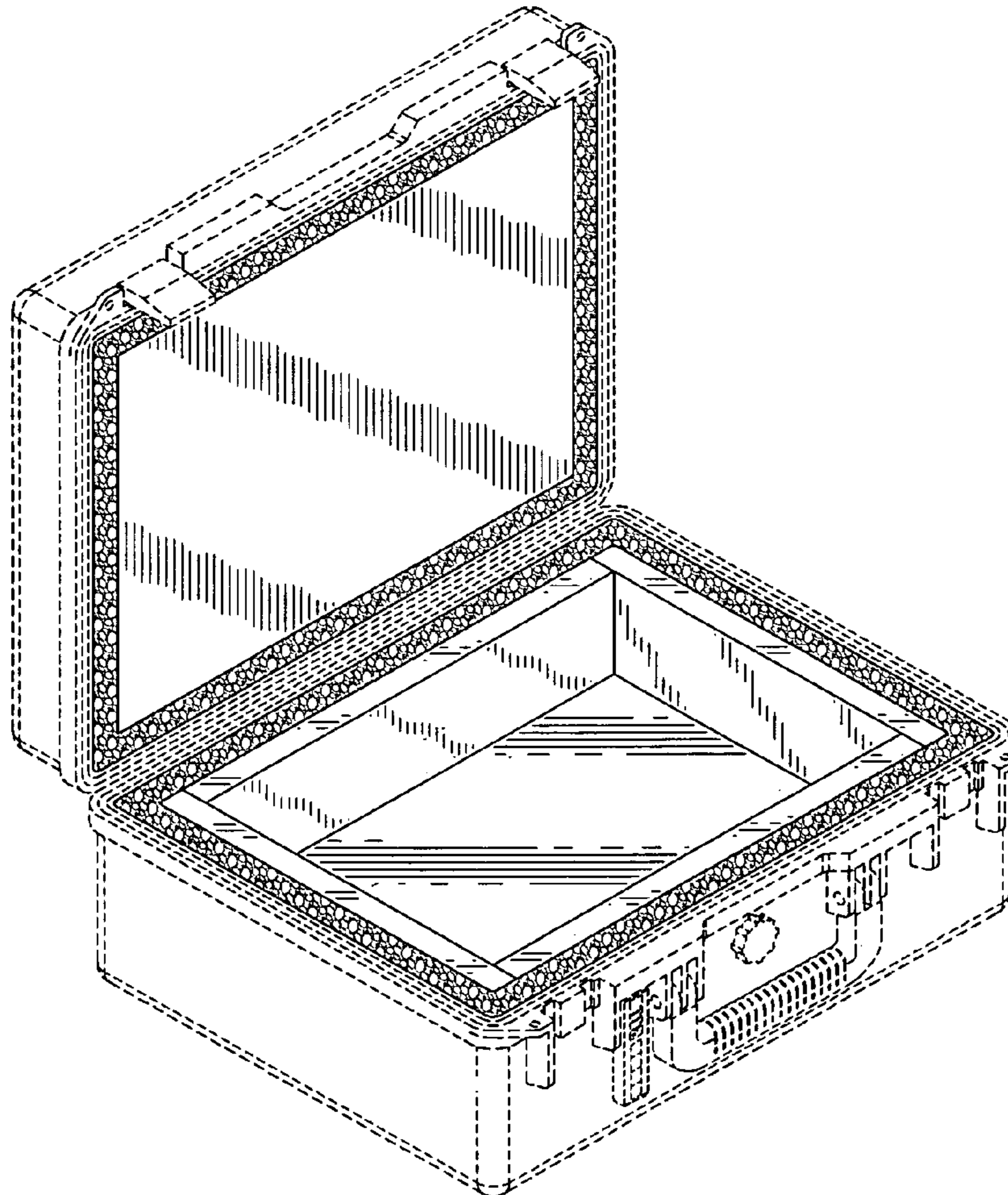
FIG. 5 is a bottom view thereof;

FIG. 6 is a right side view thereof; and,

FIG. 7 is a cross sectional view shown along line 7-7 of FIG. 2.

The dash lines show visible environmental structure and are for illustrative purposes only. The dash lines form no part of the claimed design.

1 Claim, 4 Drawing Sheets



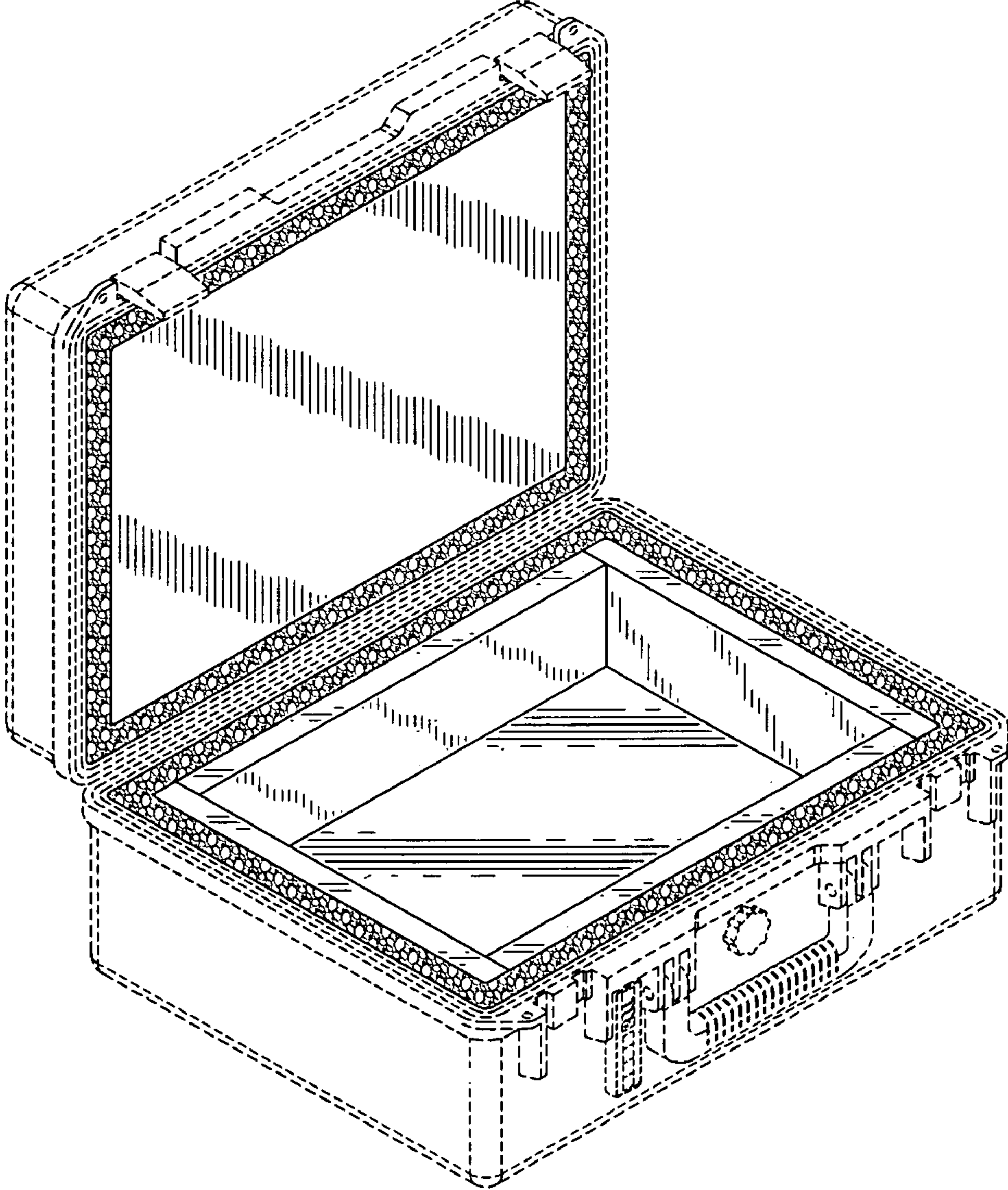
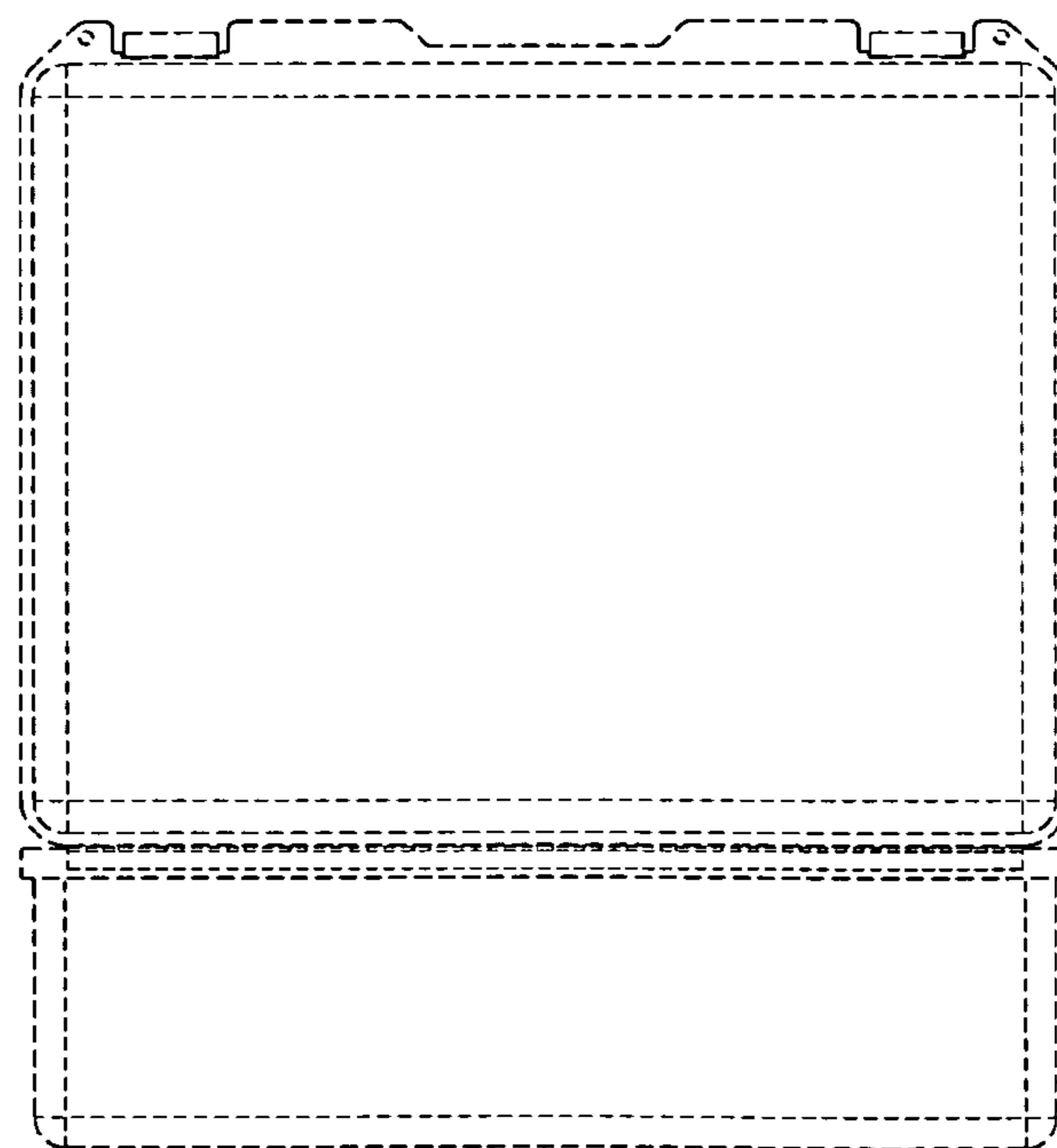
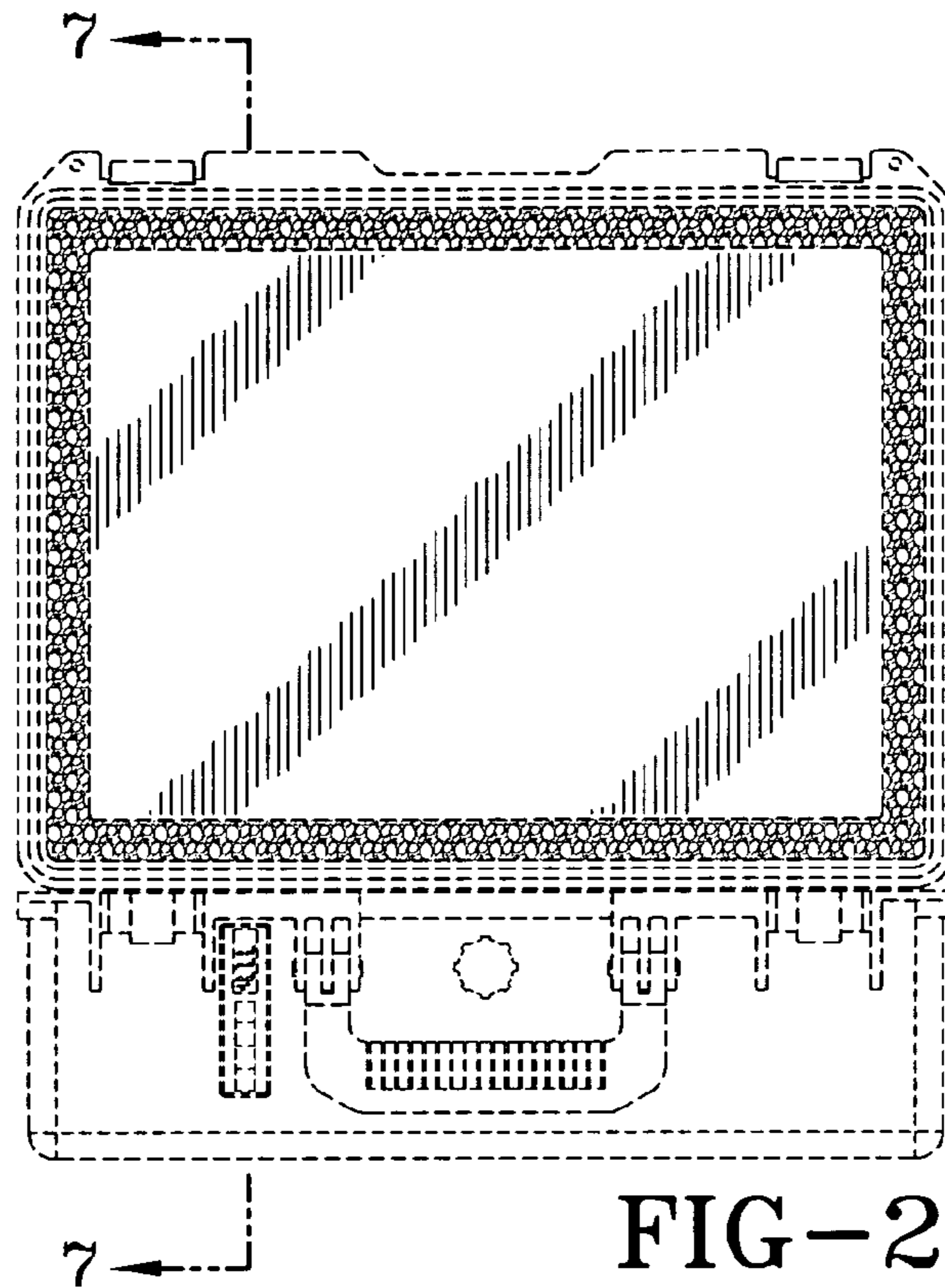


FIG-1



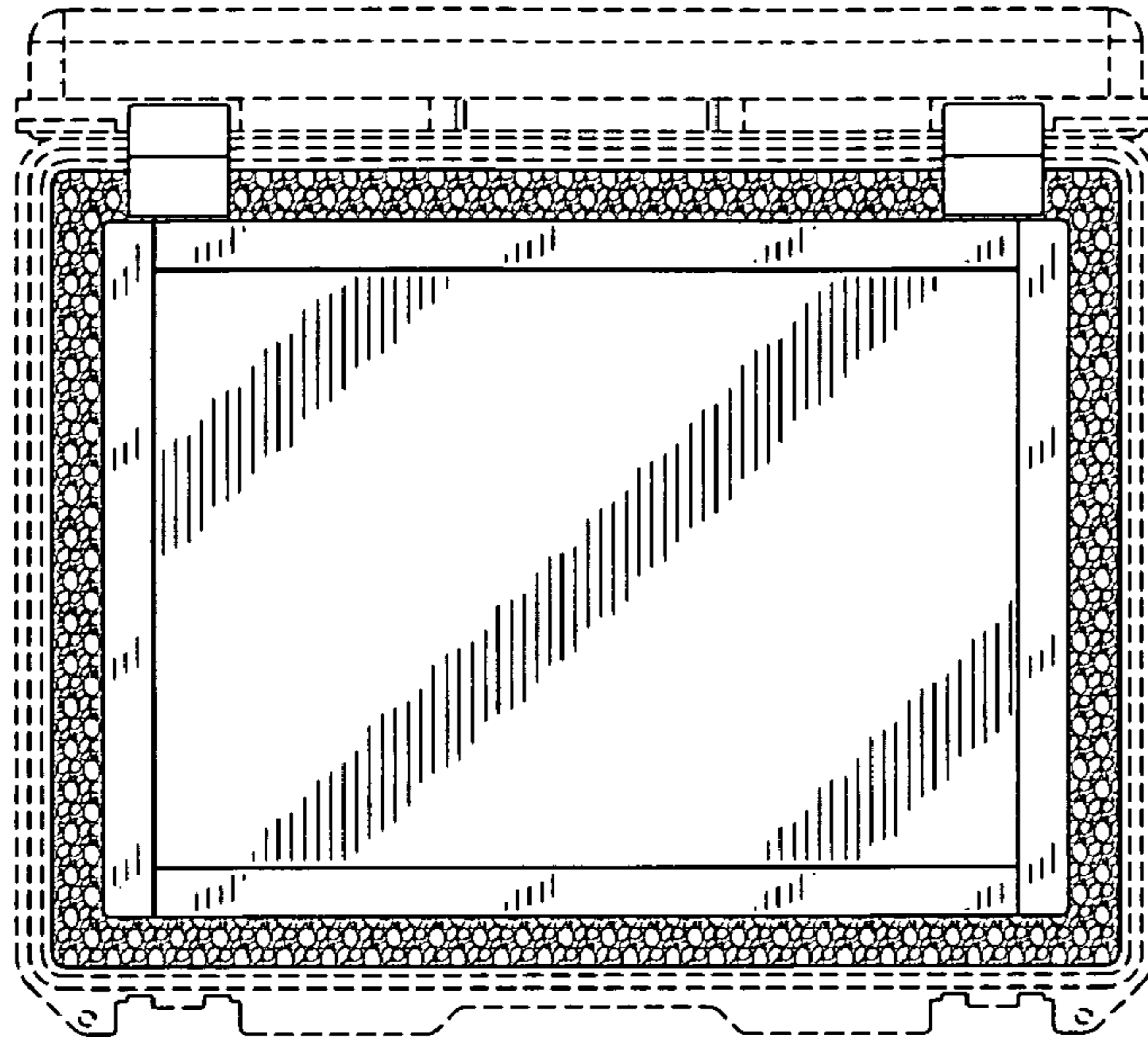


FIG-4

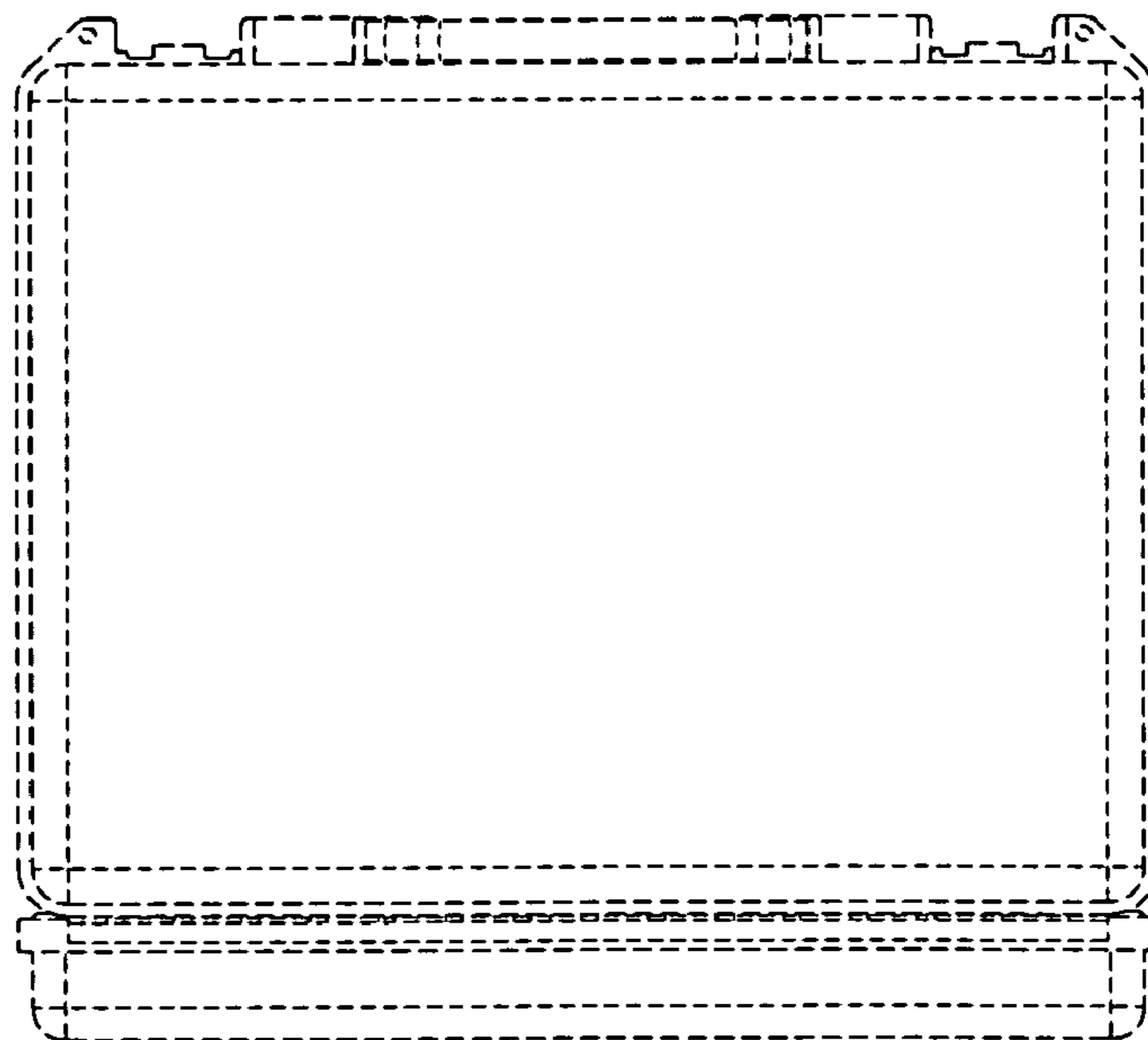


FIG-5

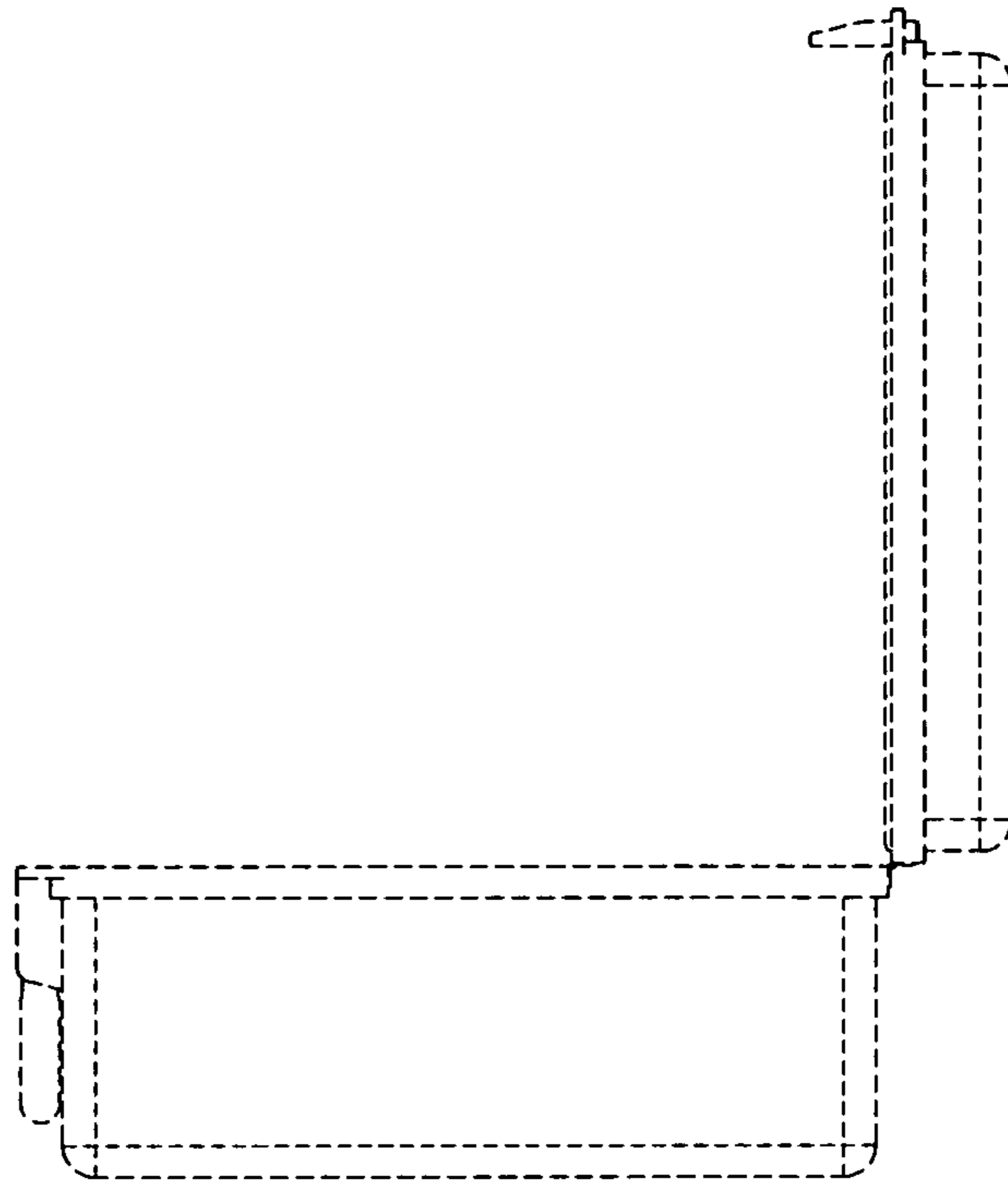


FIG-6

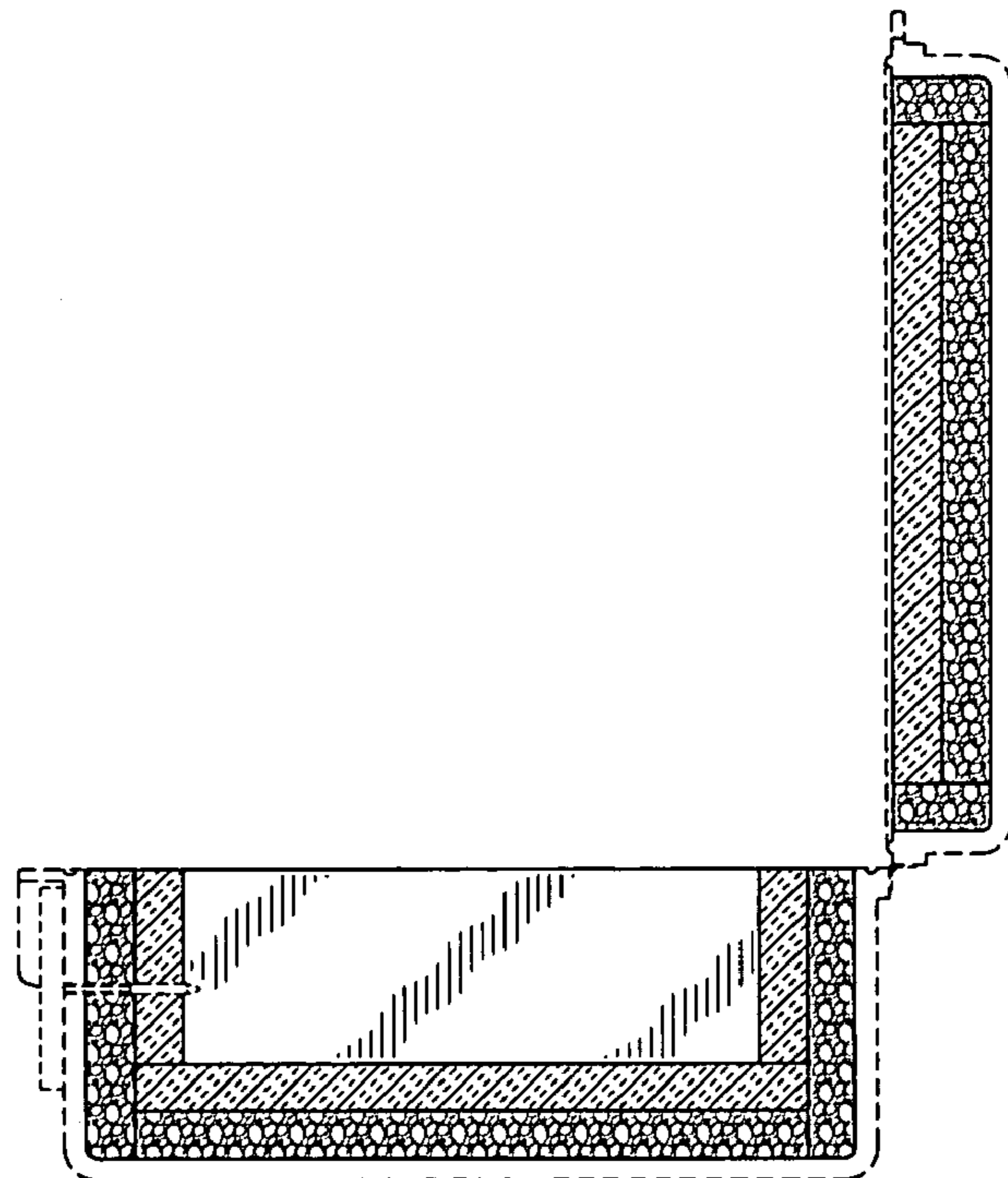


FIG-7