



US00D649341S

(12) **United States Design Patent**  
**Long, Jr. et al.**

(10) **Patent No.:** **US D649,341 S**

(45) **Date of Patent:** **\*\* Nov. 29, 2011**

(54) **MULTI-WEIGHT CASE**

(75) Inventors: **Thomas A. Long, Jr.**, Hockessin, DE (US); **Joy Lynn Cottrill**, Verona, PA (US)

(73) Assignee: **Henry Troemner LLC**, Thorofare, NJ (US)

(\*\*) Term: **14 Years**

(21) Appl. No.: **29/384,555**

(22) Filed: **Feb. 1, 2011**

**Related U.S. Application Data**

(62) Division of application No. 29/335,594, filed on Apr. 17, 2009, now Pat. No. Des. 634,115.

(51) **LOC (9) Cl.** ..... **03-01**

(52) **U.S. Cl.** ..... **D3/201**

(58) **Field of Classification Search** ..... D3/201, D3/205, 272-273, 294-295, 301; D9/418, D9/420, 426, 428, 432; 206/37, 229, 320, 206/363, 557; 220/810, 825, 833-835; D28/76-82  
See application file for complete search history.

(56) **References Cited**

**U.S. PATENT DOCUMENTS**

D398,842 S	9/1998	Rohrig
D454,429 S	3/2002	Hussanini et al.
D548,970 S	8/2007	Huang
D604,501 S	11/2009	Lee
D620,257 S	7/2010	Fujimura et al.

*Primary Examiner* — Catheri Oliver

(74) *Attorney, Agent, or Firm* — Volpe and Koenig, P.C.

(57) **CLAIM**

We claim the design for a multi-weight case, as shown and described.

**DESCRIPTION**

FIG. 1 is a top, front and right perspective view of a first embodiment of a multi-weight case according to our design; FIG. 2 is a top plan view thereof; FIG. 3 is a bottom view thereof; FIG. 4 is a front elevational view thereof; FIG. 5 is a rear view thereof; FIG. 6 is a right side elevational view thereof; FIG. 7 is a left side elevational view thereof; FIG. 8 is a cross-sectional view taken along line 8-8 of FIG. 4 to illustrate the depth of certain features in the multi-weight case, with the broken lines forming no part of the claimed design;

FIG. 9 is a top, front and right perspective view showing an alternate position of the multi-weight case of FIGS. 1-8;

FIG. 10 is a top, front and right perspective view of a second embodiment of a multi-weight case according to our design;

FIG. 11 is a top plan view thereof;

FIG. 12 is a bottom plan view thereof;

FIG. 13 is a front elevational view thereof;

FIG. 14 is a rear view thereof;

FIG. 15 is a right side elevational view thereof;

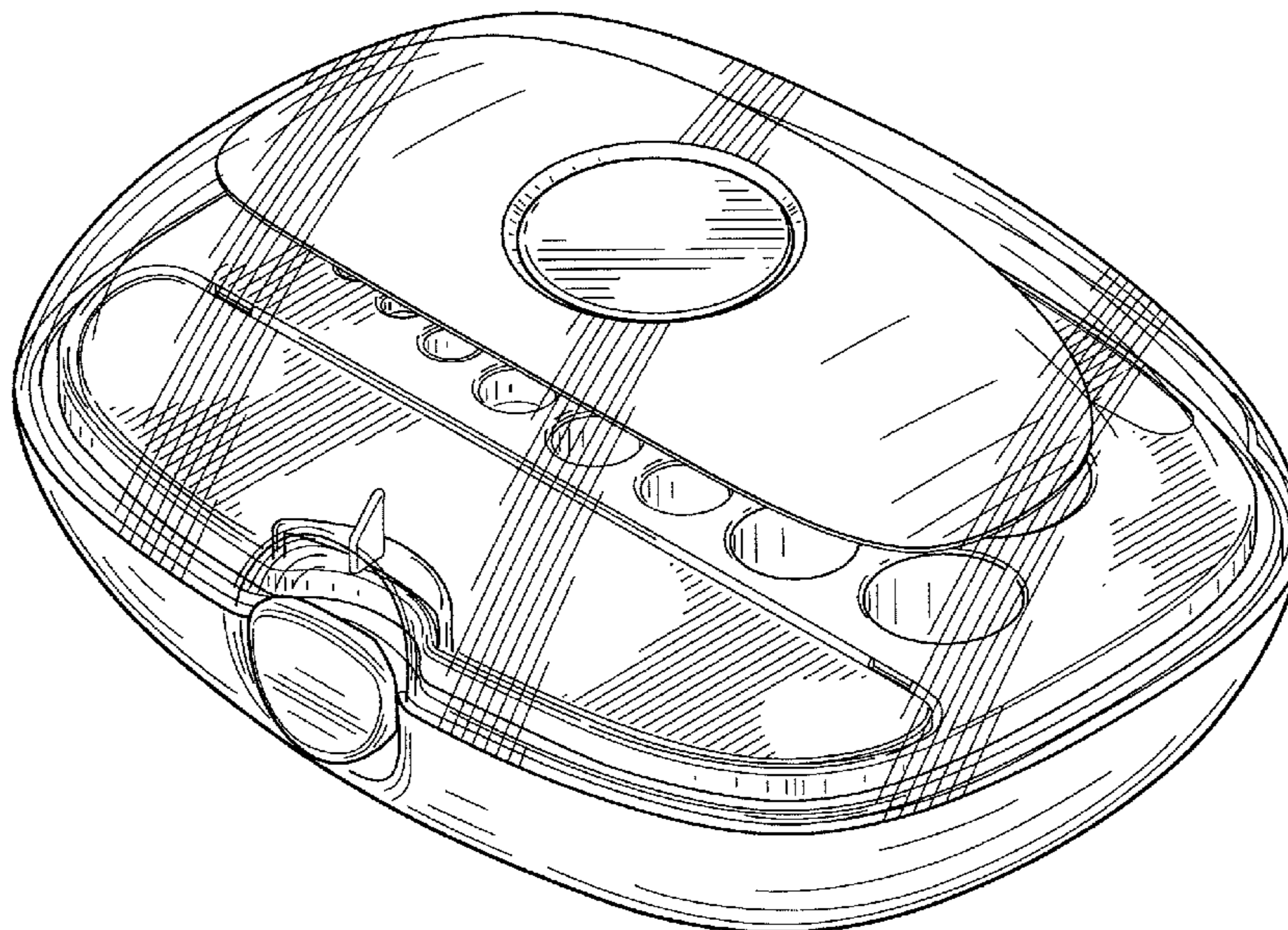
FIG. 16 is a left side elevational view thereof; and

FIG. 17 is a cross-sectional view taken along line 17-17 in FIG. 13 showing the depth of certain features in the multi-weight case, with the broken lines forming no part of the claimed design; and,

FIG. 18 is a top, front and right perspective view of the multi-weight case of FIGS. 10-17 shown in alternate position.

The broken lines in the drawings form no part of the claimed design.

**1 Claim, 16 Drawing Sheets**



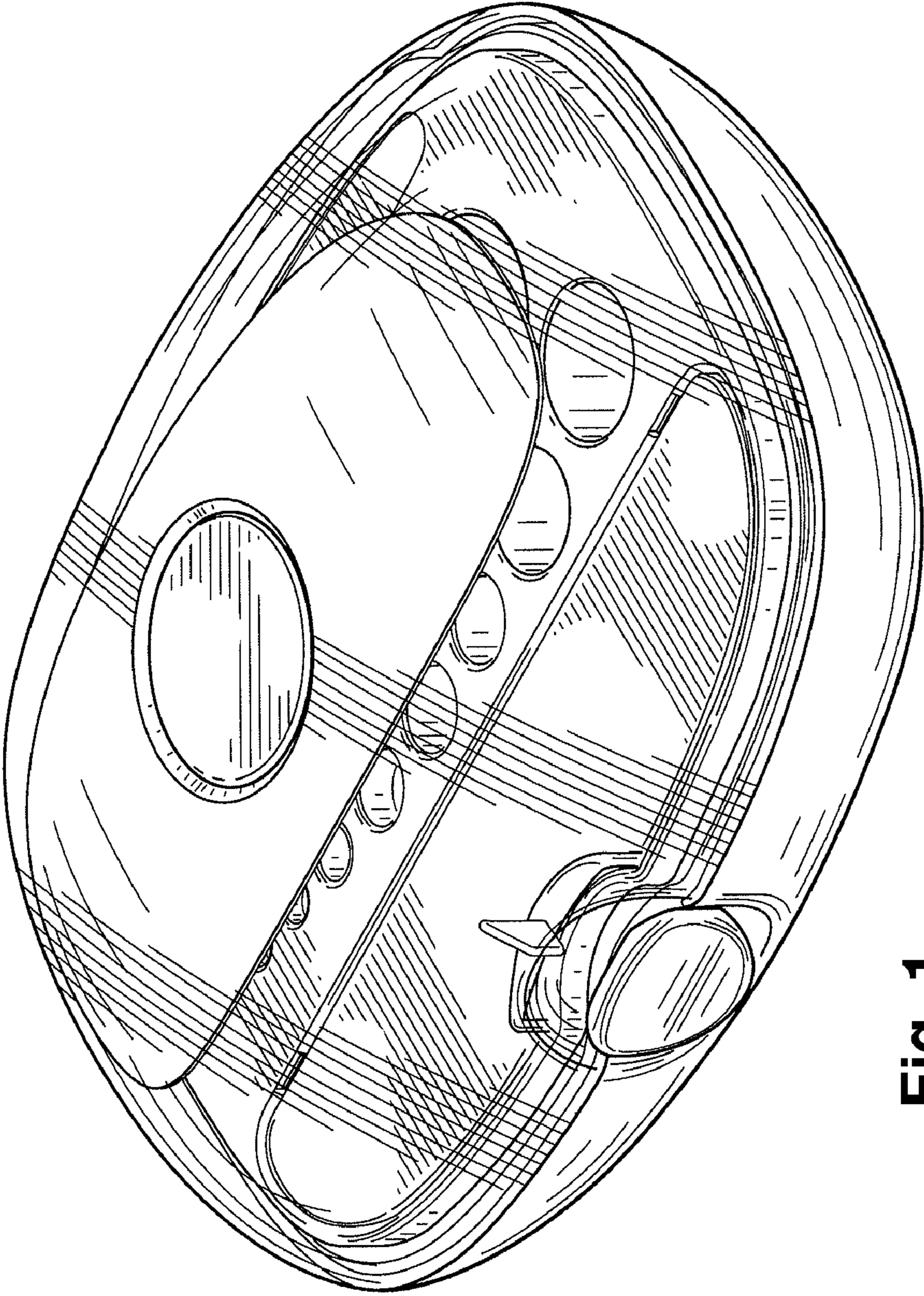


Fig. 1

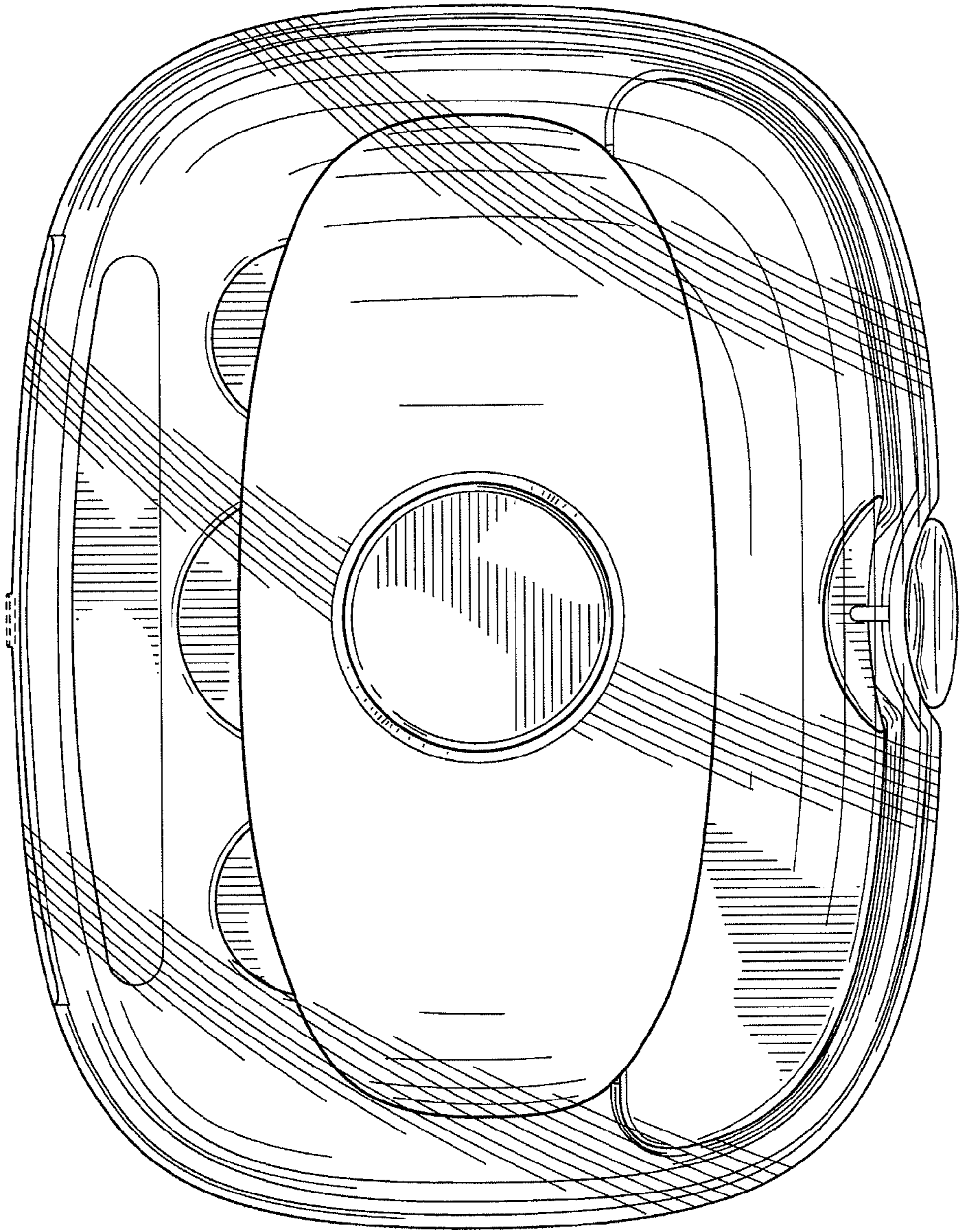


Fig. 2

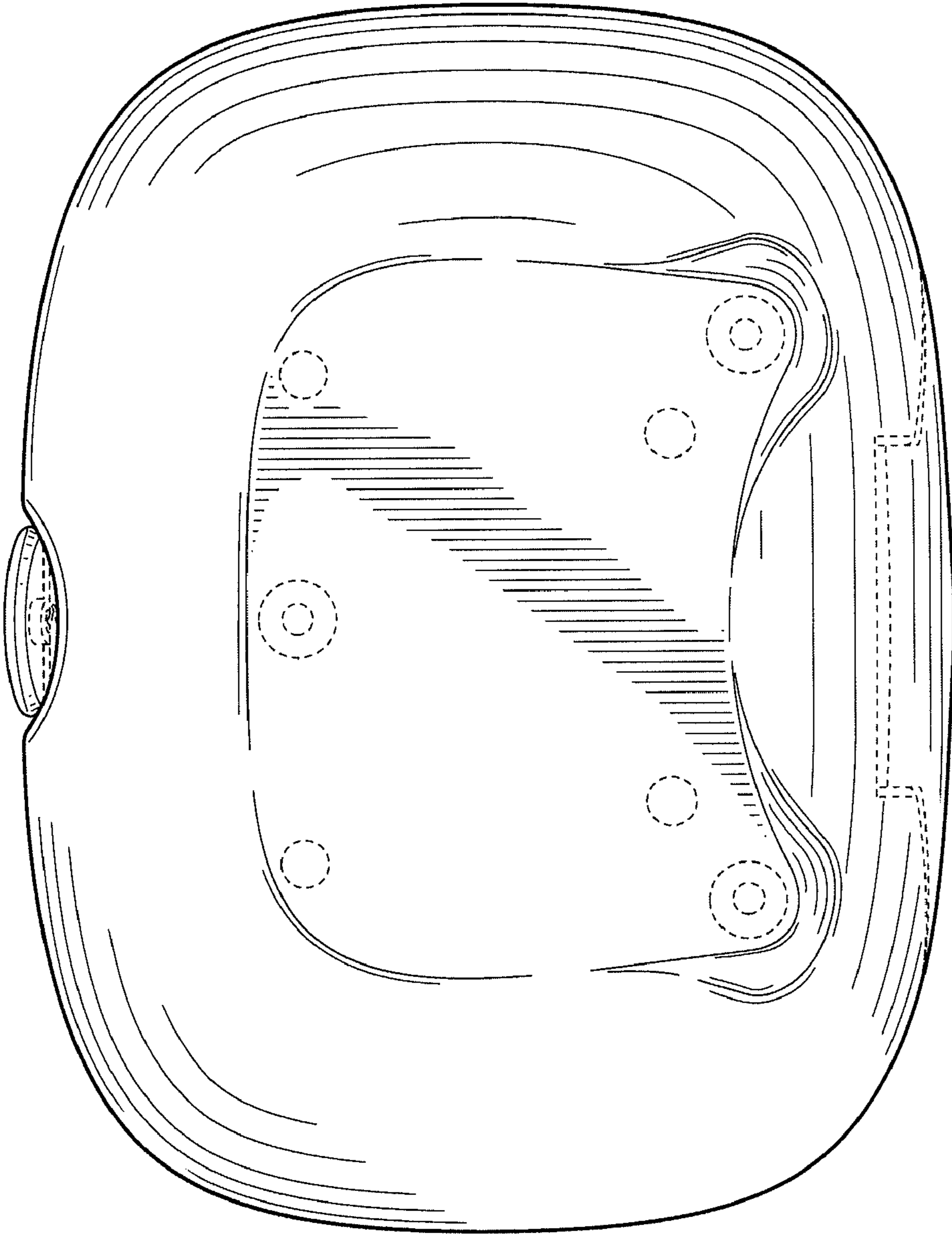


Fig. 3

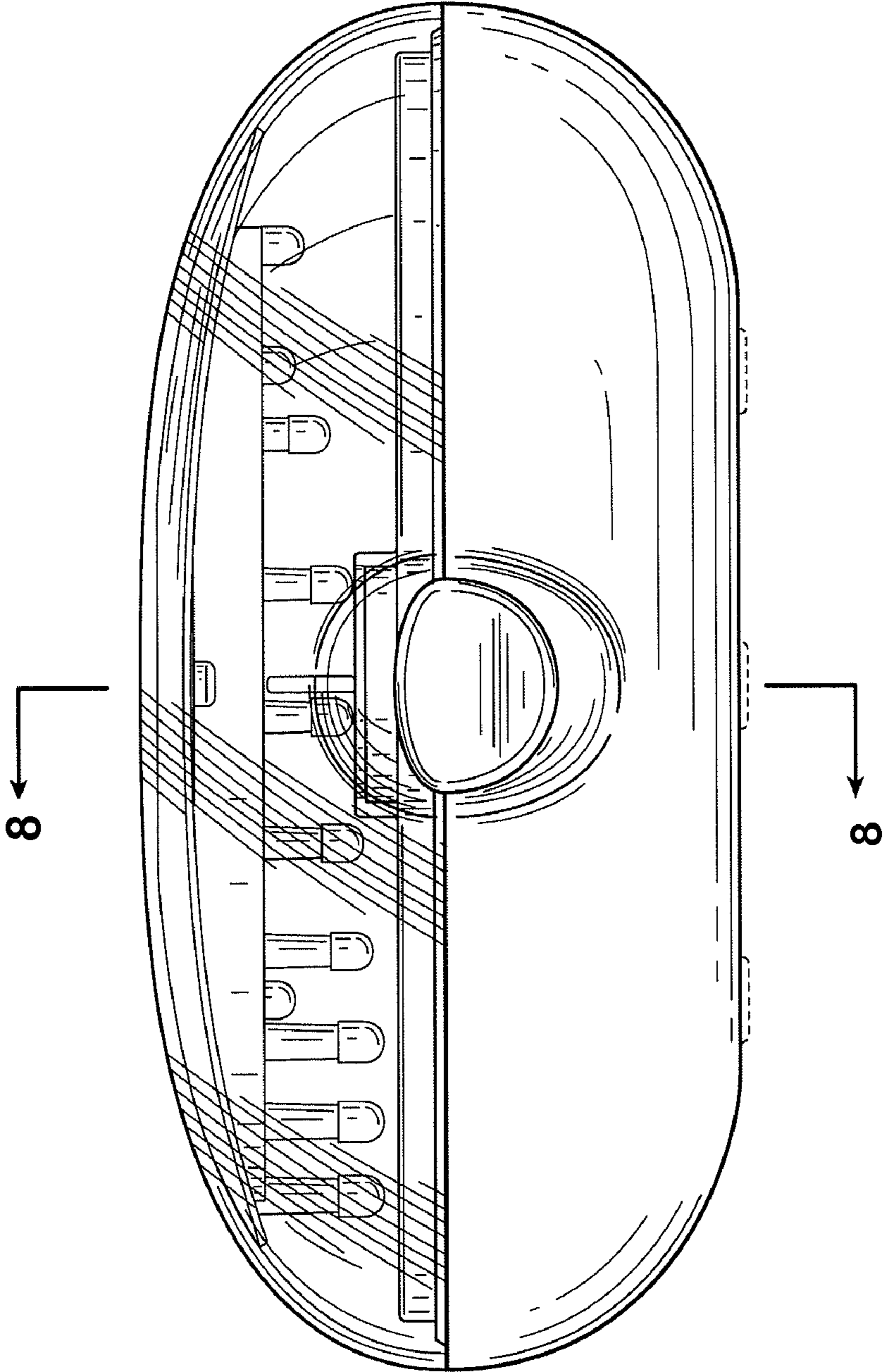


Fig. 4

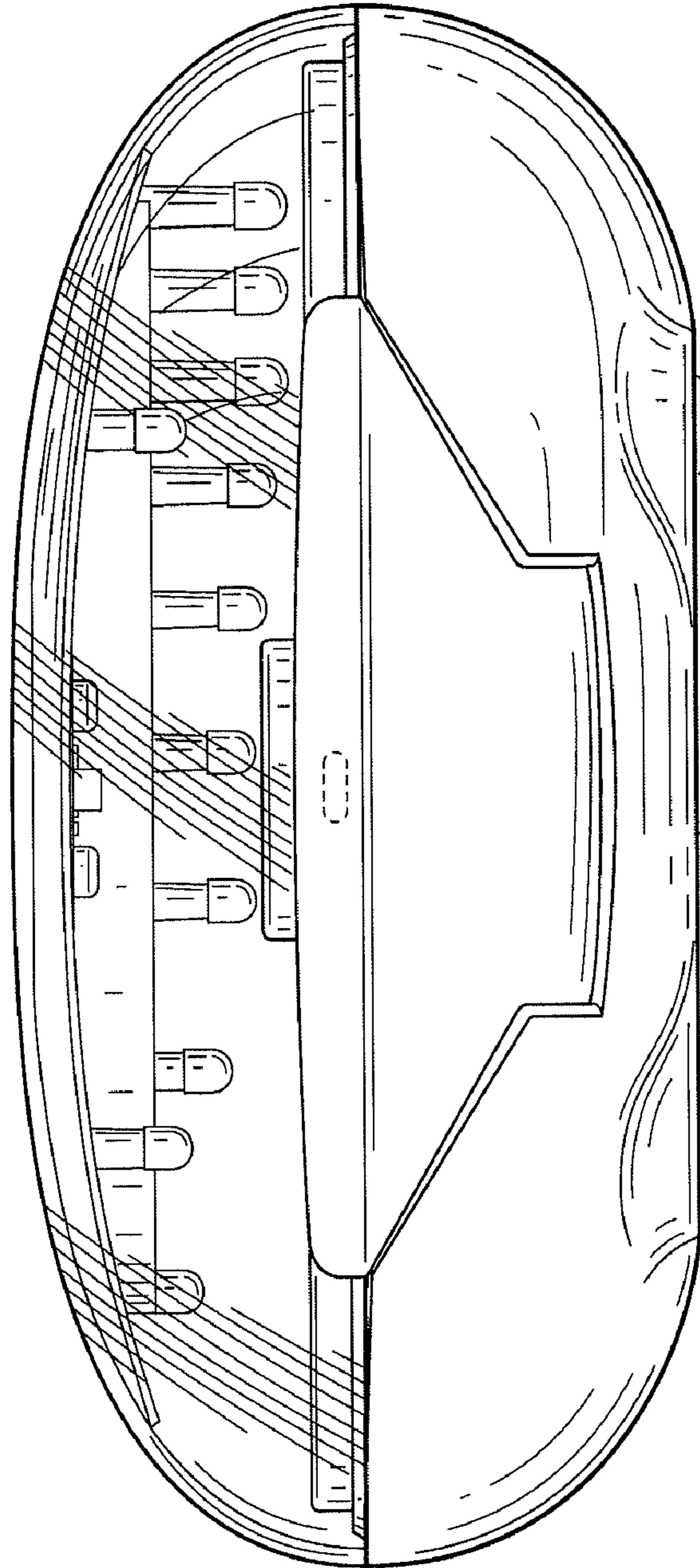


Fig. 5

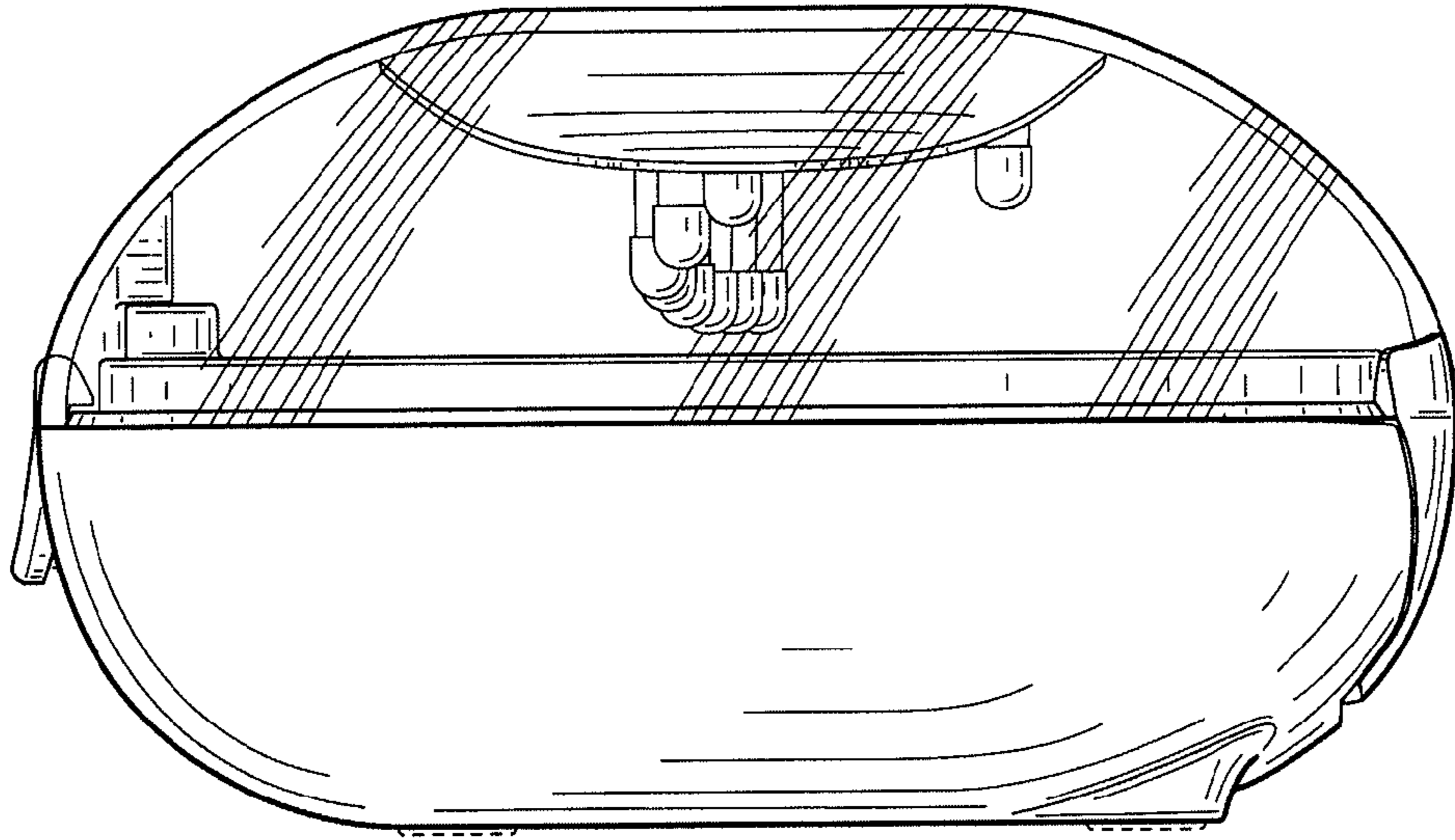


Fig. 6

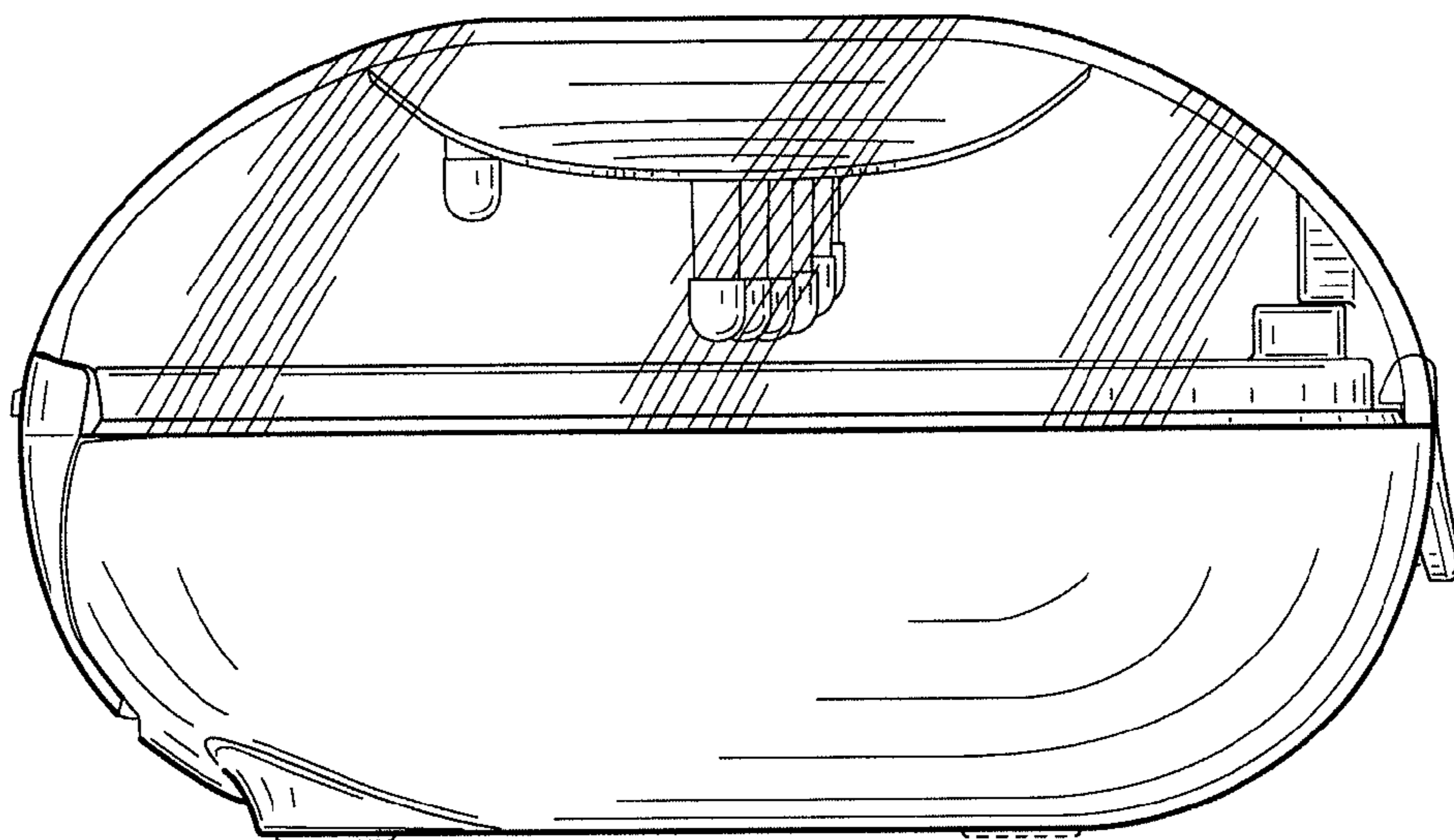


Fig. 7

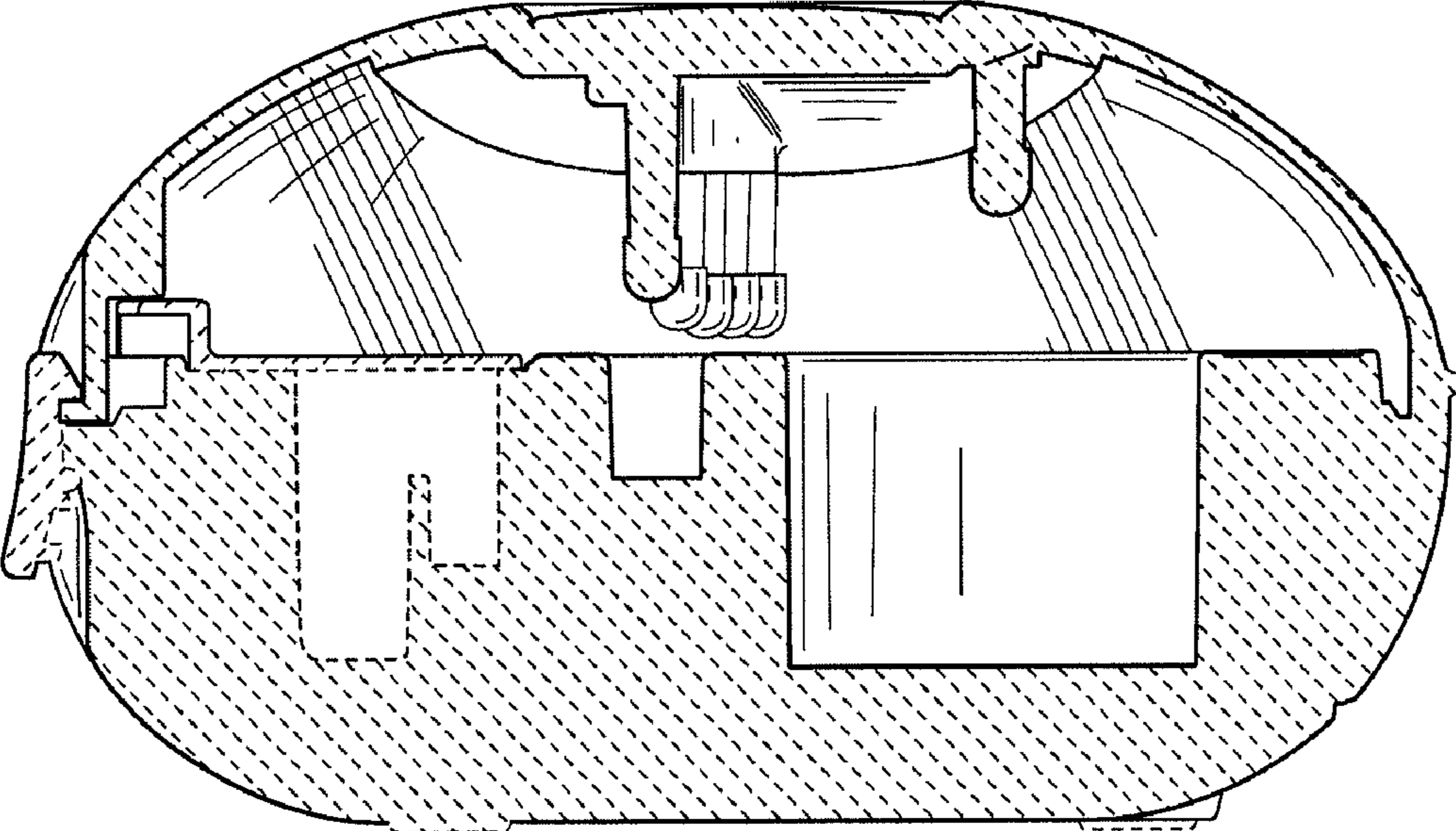


Fig. 8



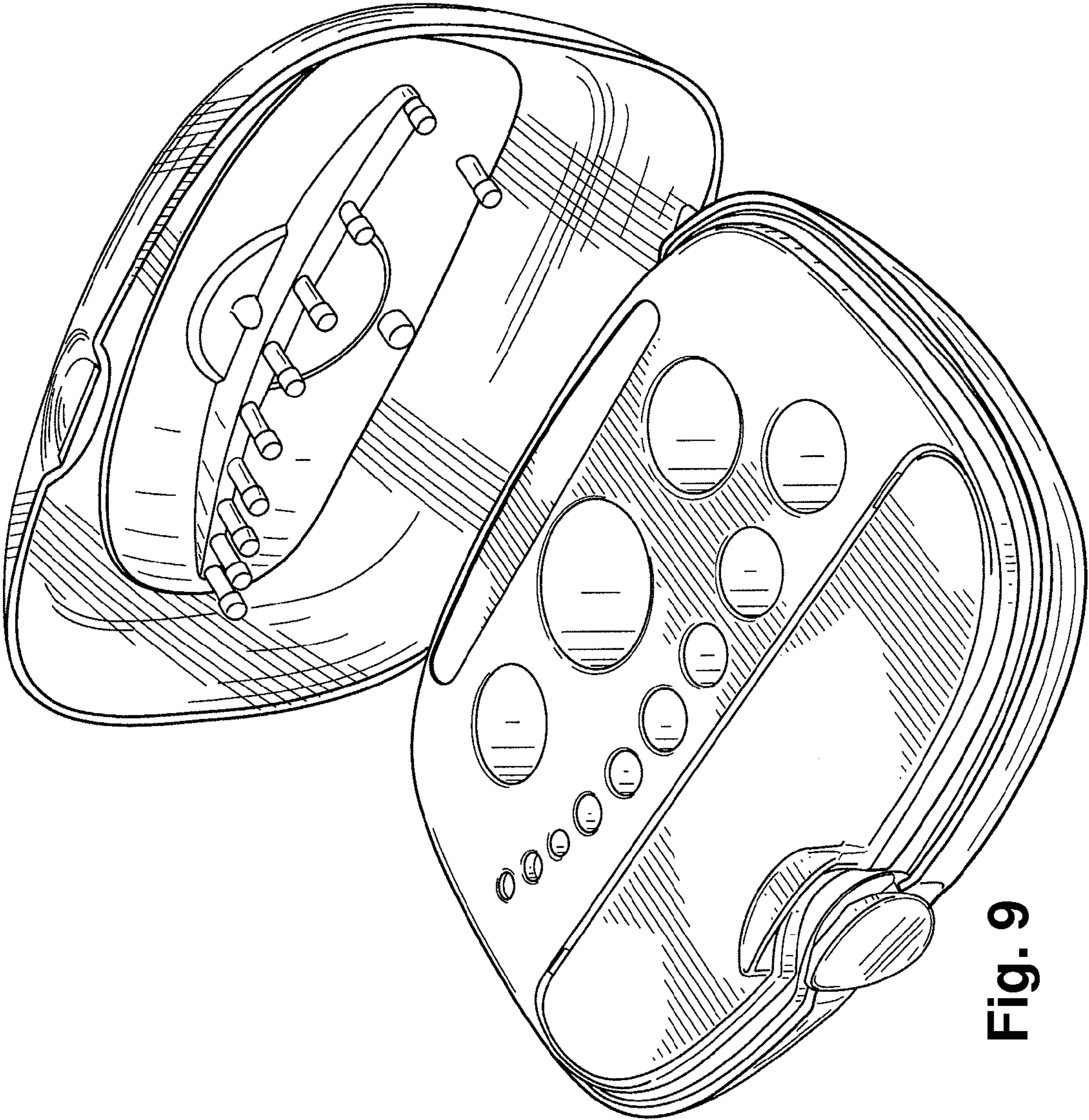


Fig. 9

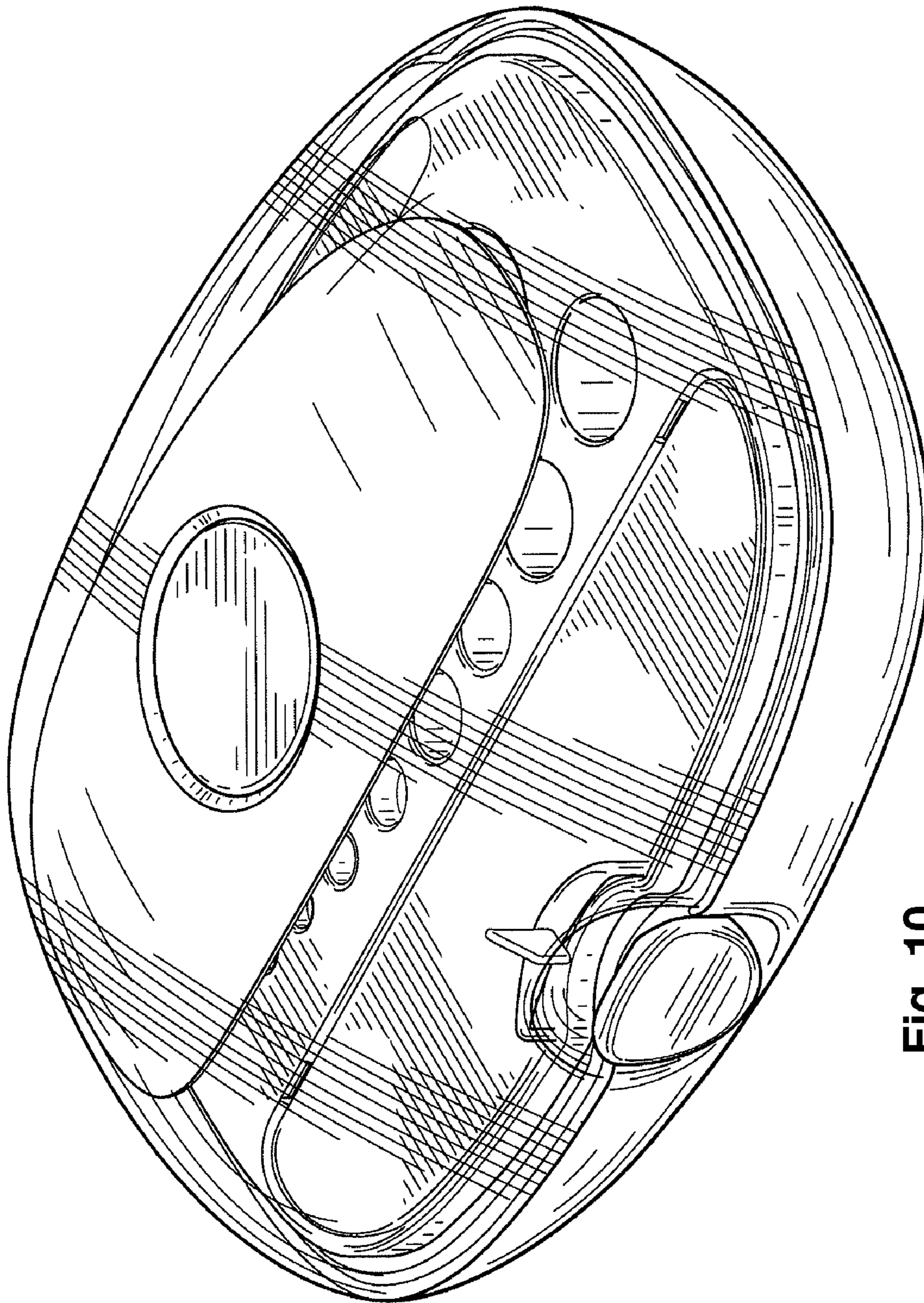


Fig. 10

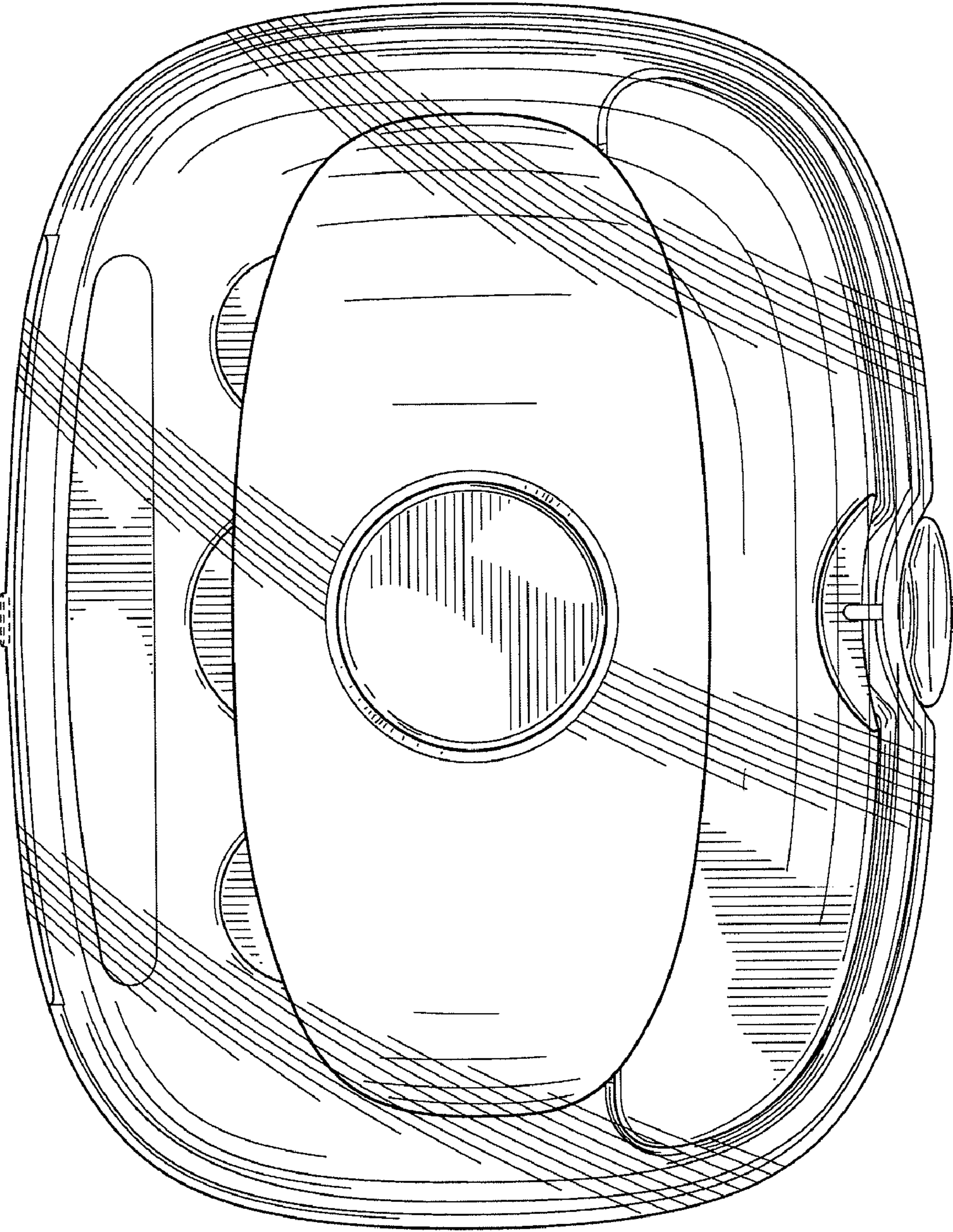


Fig. 11

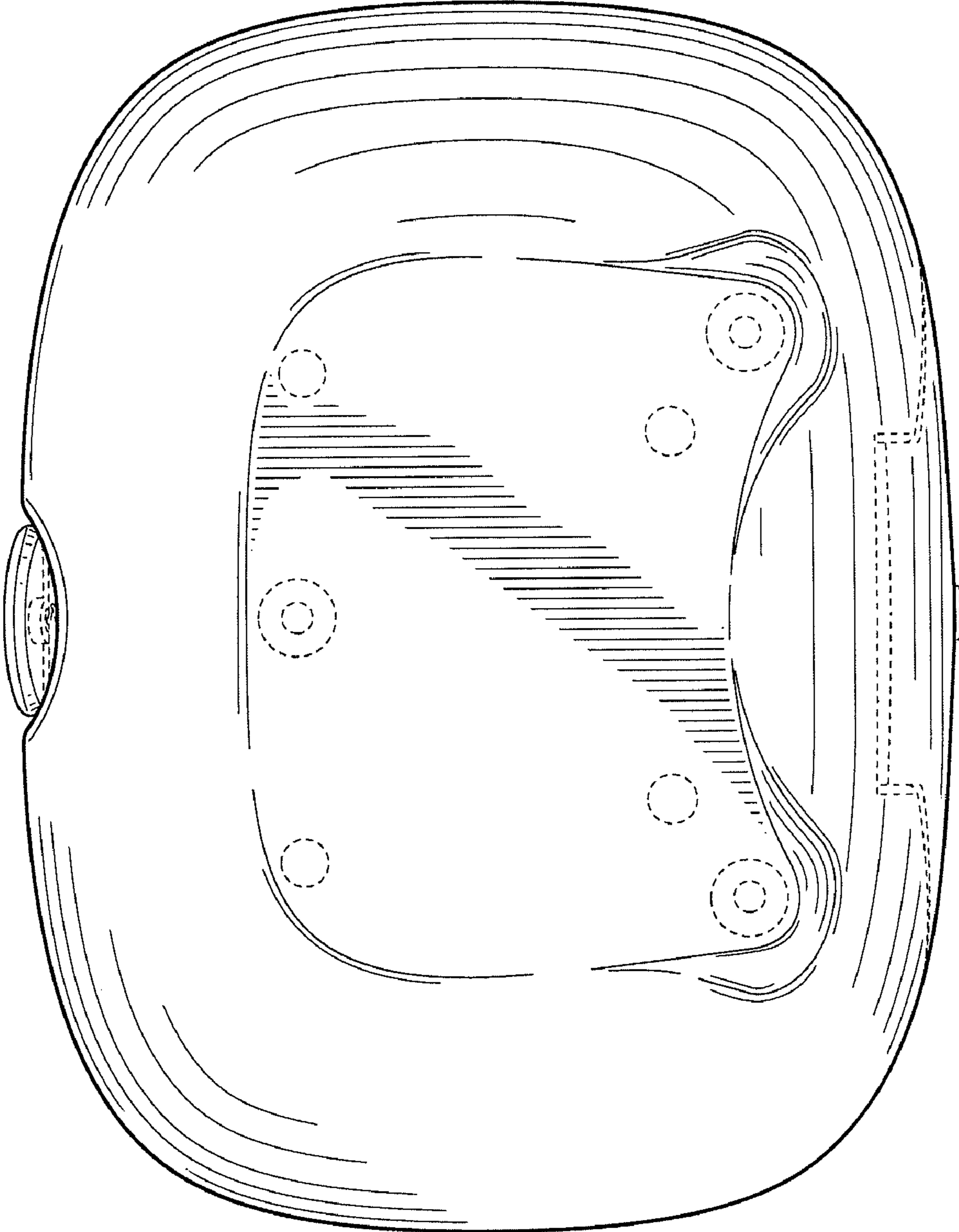


Fig. 12

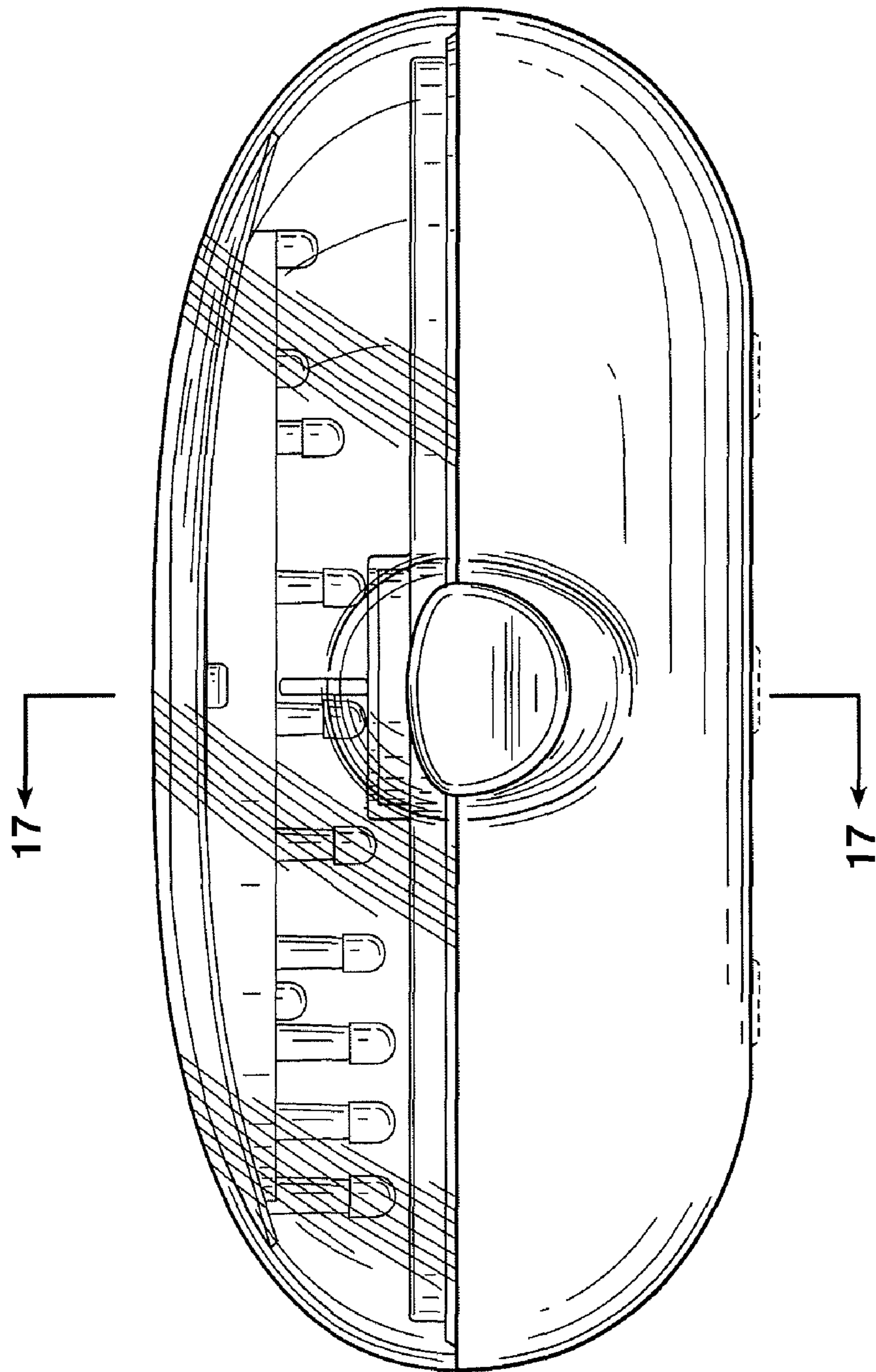


Fig. 13

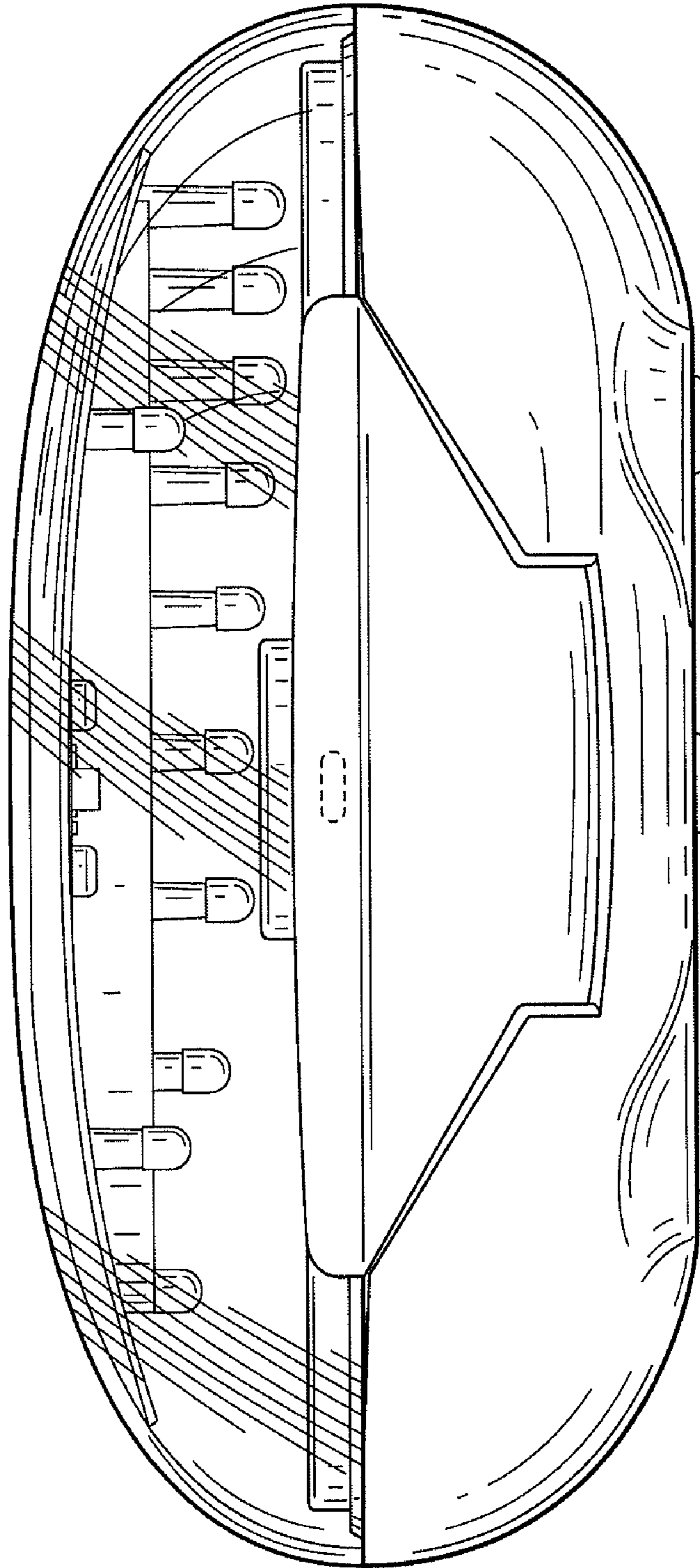
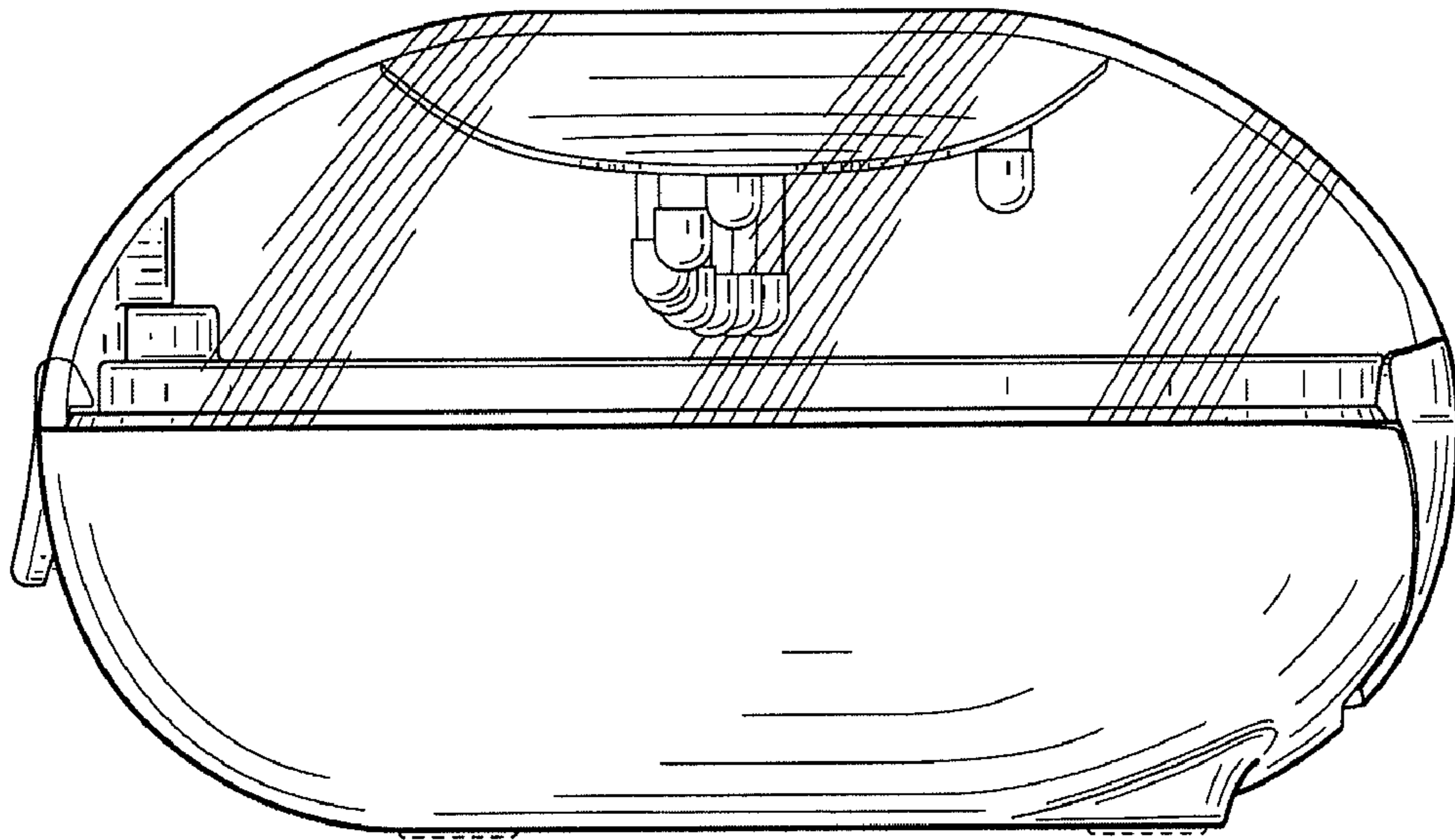
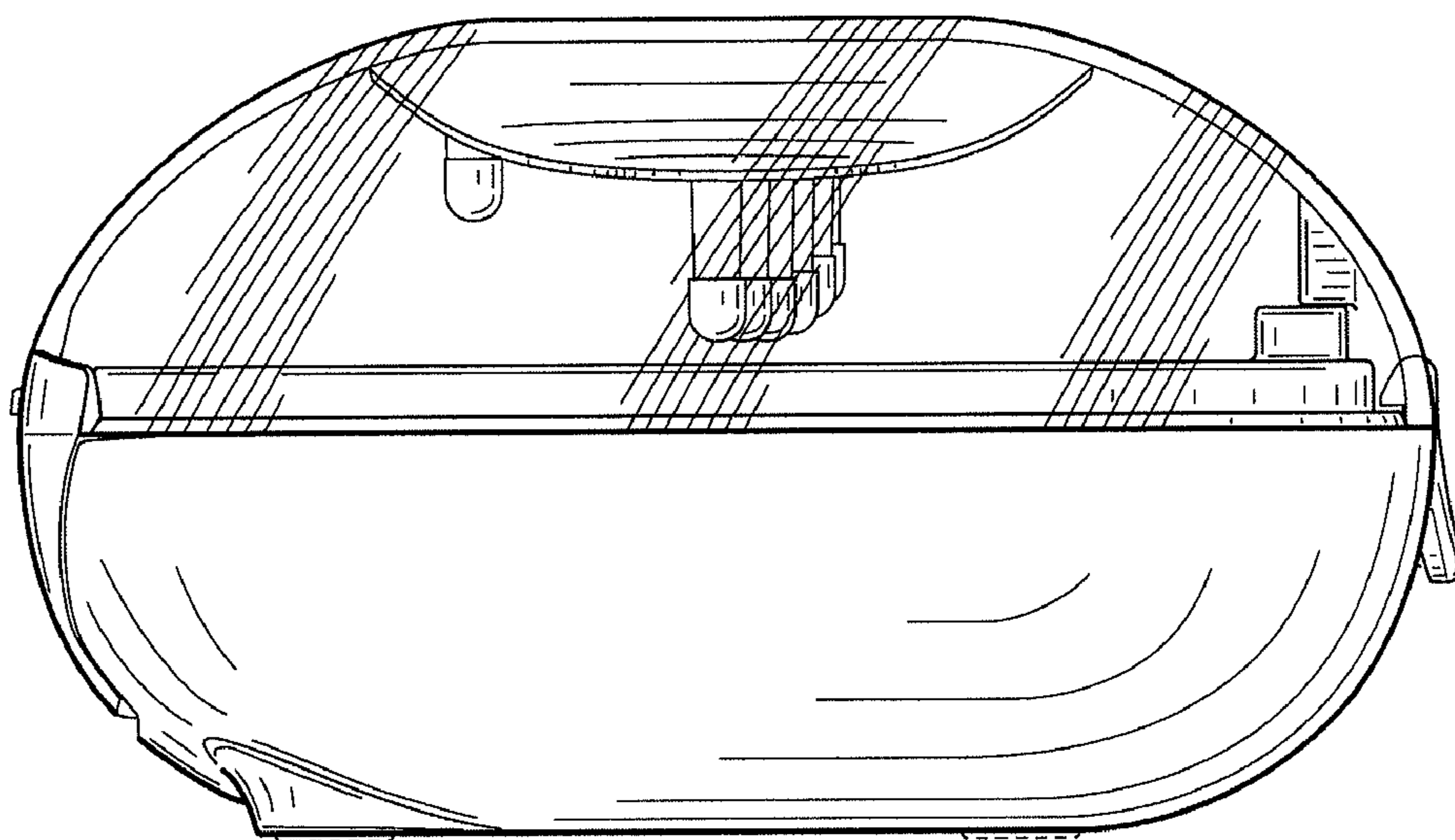


Fig. 14



**Fig. 15**



**Fig. 16**

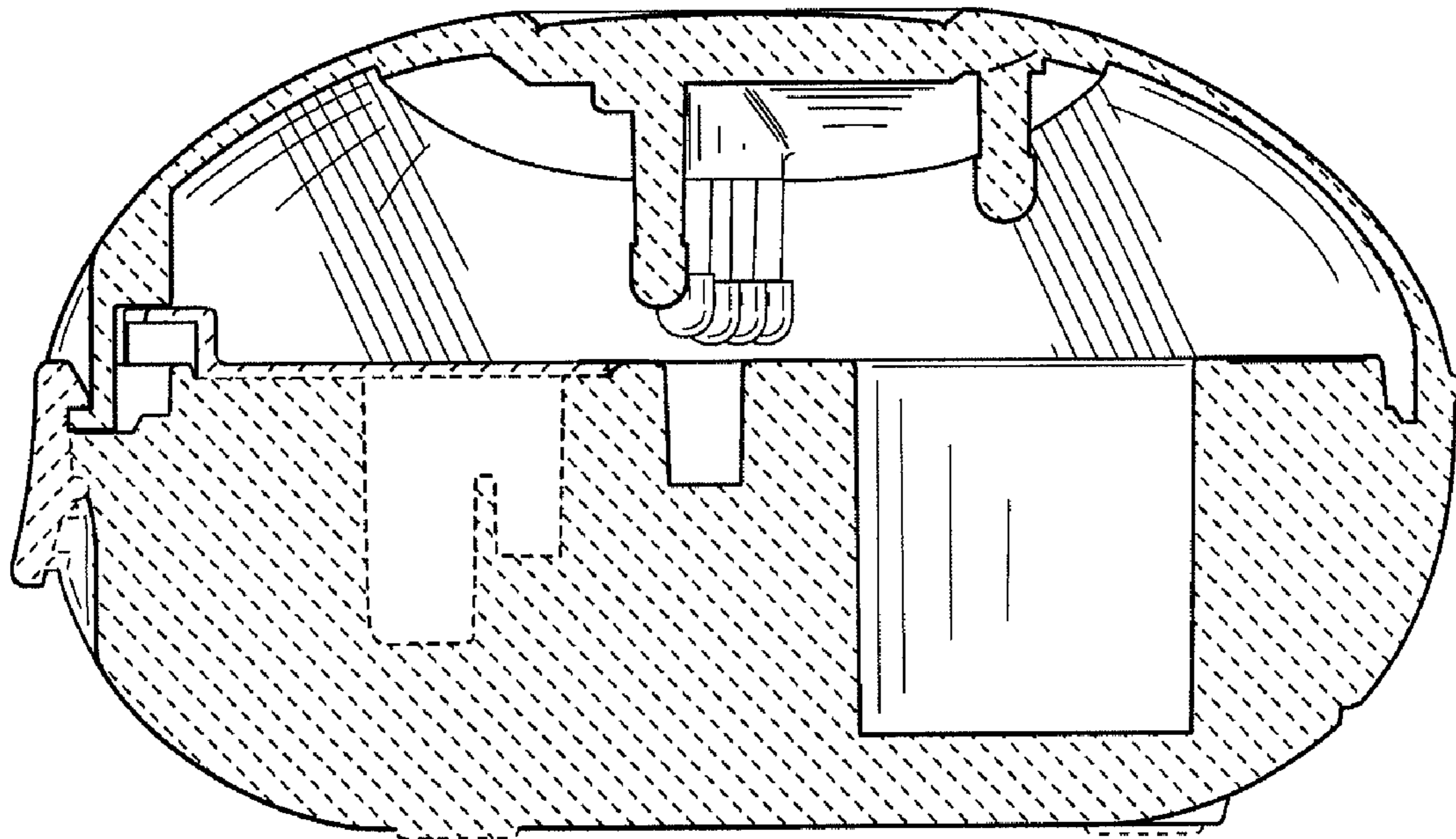


Fig. 17



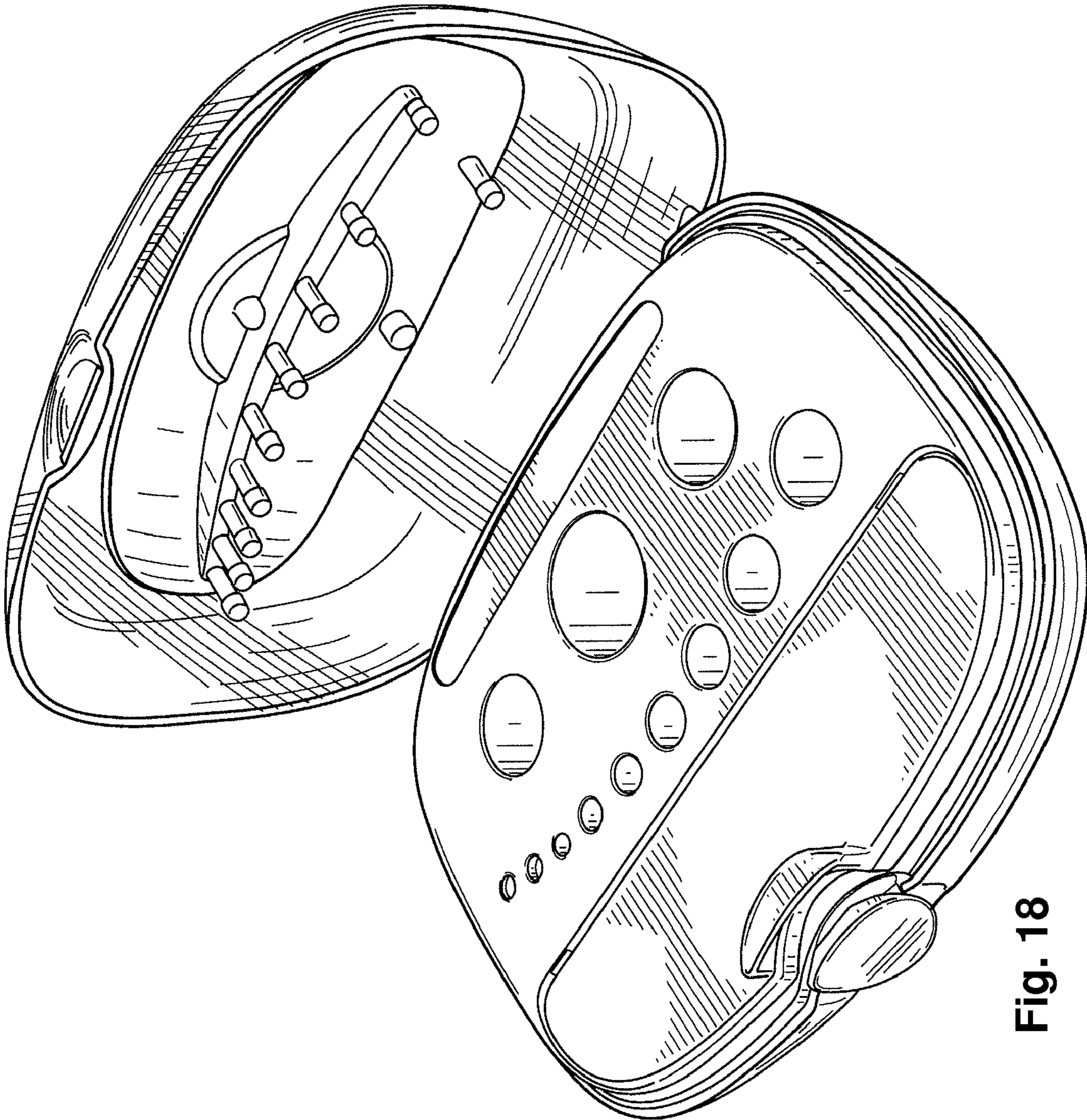


Fig. 18