



US00D649340S

(12) **United States Design Patent**
Plekker et al.

(10) **Patent No.:** **US D649,340 S**

(45) **Date of Patent:** **** Nov. 29, 2011**

(54) **BOOT CLIP**

(76) Inventors: **Elizabeth Ann Plekker**, Butler, PA
(US); **Marinus J. Plekker**, Butler, PA
(US)

(**) Term: **14 Years**

(21) Appl. No.: **29/373,149**

(22) Filed: **Mar. 8, 2011**

(51) **LOC (9) Cl.** **02-99**

(52) **U.S. Cl.** **D2/976**

(58) **Field of Classification Search** D2/909-912,
D2/946, 976; 36/136

See application file for complete search history.

(56) **References Cited**

U.S. PATENT DOCUMENTS

533,385	A	1/1895	Tweedale	
1,110,873	A	9/1914	Boye	
1,215,283	A	2/1917	Kirkland	
D84,311	S *	6/1931	Whitehouse	D2/976
2,477,036	A *	7/1949	Bailey, Jr.	D2/976
D211,847	S *	8/1968	Aigner	D2/976
4,597,197	A *	7/1986	Strasinger	36/136
5,483,704	A	1/1996	Filipiak	
6,412,151	B1	7/2002	Rowland	
2006/0260153	A1	11/2006	White	

2008/0271348 A1 11/2008 Fromm
2009/0300948 A1 12/2009 Nordstrom-Wehner
2010/0058619 A1 3/2010 Ferrante et al.

* cited by examiner

Primary Examiner — Dominic Simone

(57) **CLAIM**

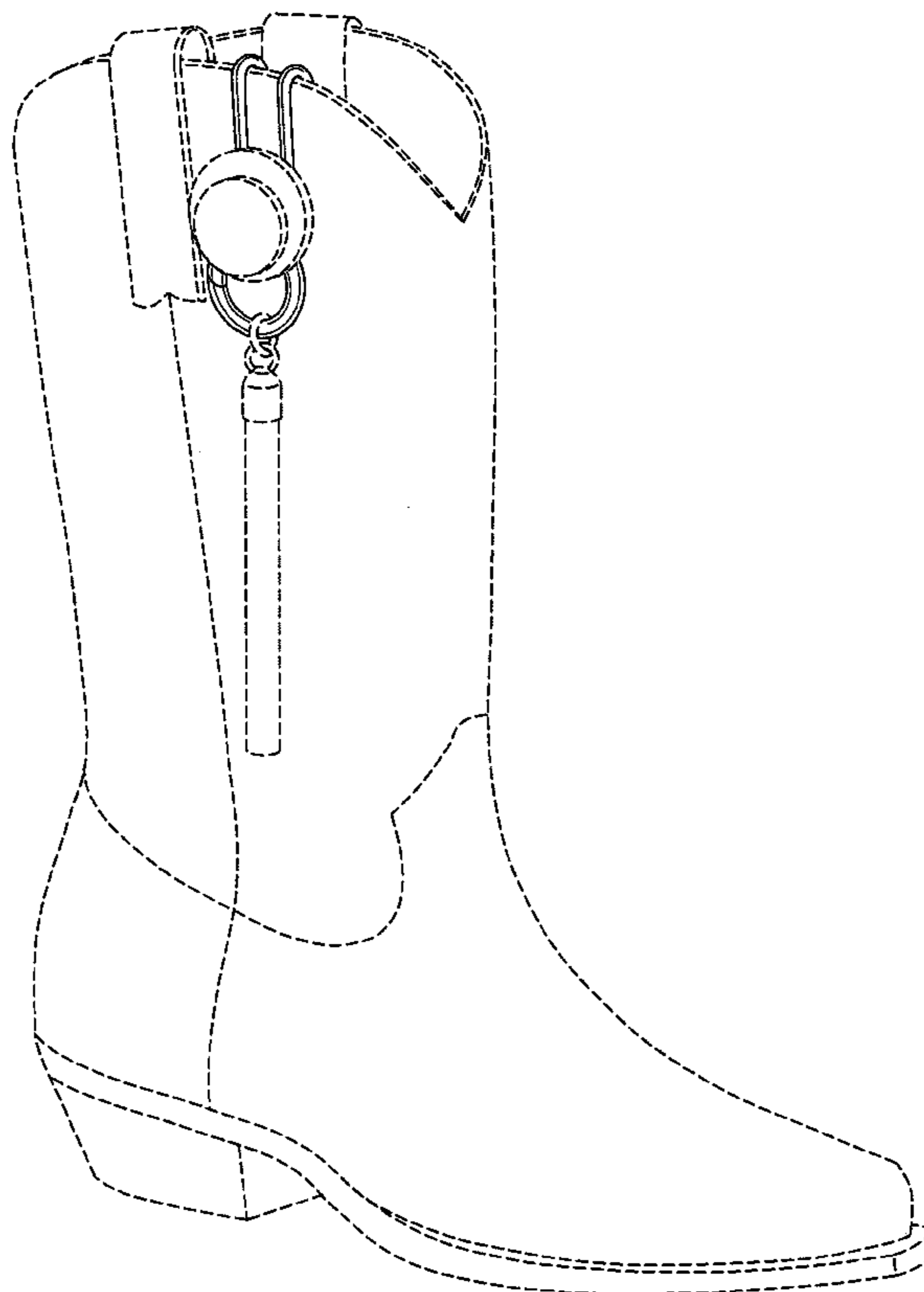
We claim the ornamental design for a boot clip, as shown and described.

DESCRIPTION

FIG. 1 is a front perspective view of a boot clip of the invention showing our new design, as attached to the top of a boot. FIG. 2 is a front view of the boot clip. FIG. 3 is a rear view of the boot clip. FIG. 4 is a right side view of the boot clip. FIG. 5 is left side view of the boot clip. FIG. 6 is a top view of the boot clip; and, FIG. 7 is a bottom view of the boot clip.

The broken line showing of the boot in FIG. 1 is to illustrate the design as it may appear when being worn on a boot, and forms no part of the claim. The broken line showing of the circular configuration of the boot clip of FIG. 1 through FIG. 7 is to illustrate a decorative feature which may be added to the boot clip, and forms no part of the claim. The broken line showing of the elongated hanging configuration of the boot clip of FIG. 1 through FIG. 7 is to illustrate a decorative feature which may be attached to the boot clip, and forms no part of the claim.

1 Claim, 4 Drawing Sheets



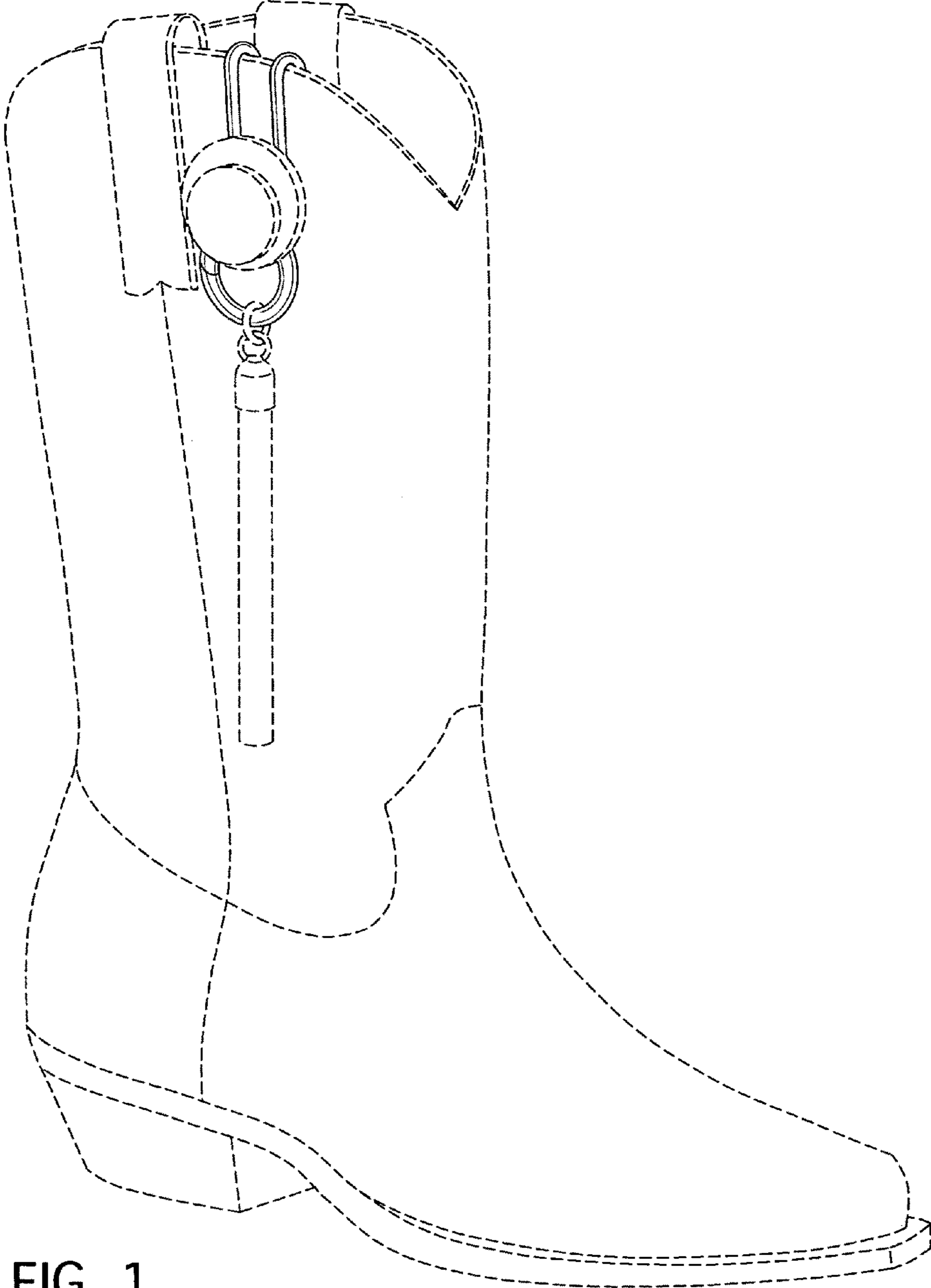


FIG. 1

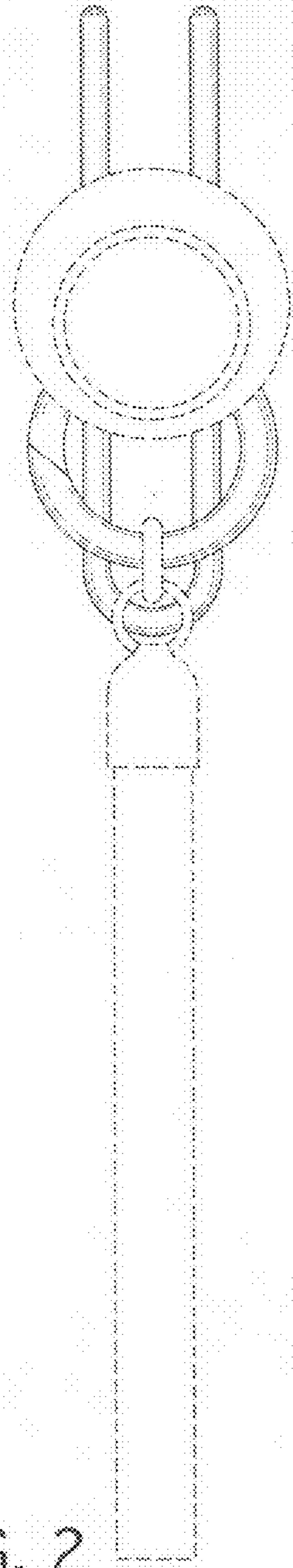


FIG. 2

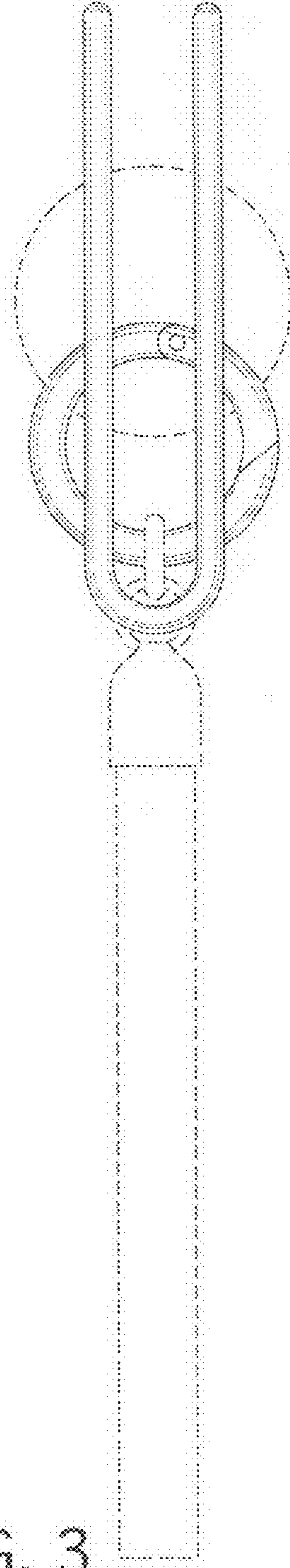


FIG. 3

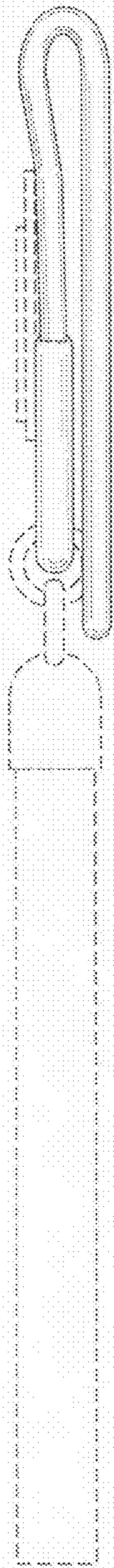


FIG. 4



FIG. 5

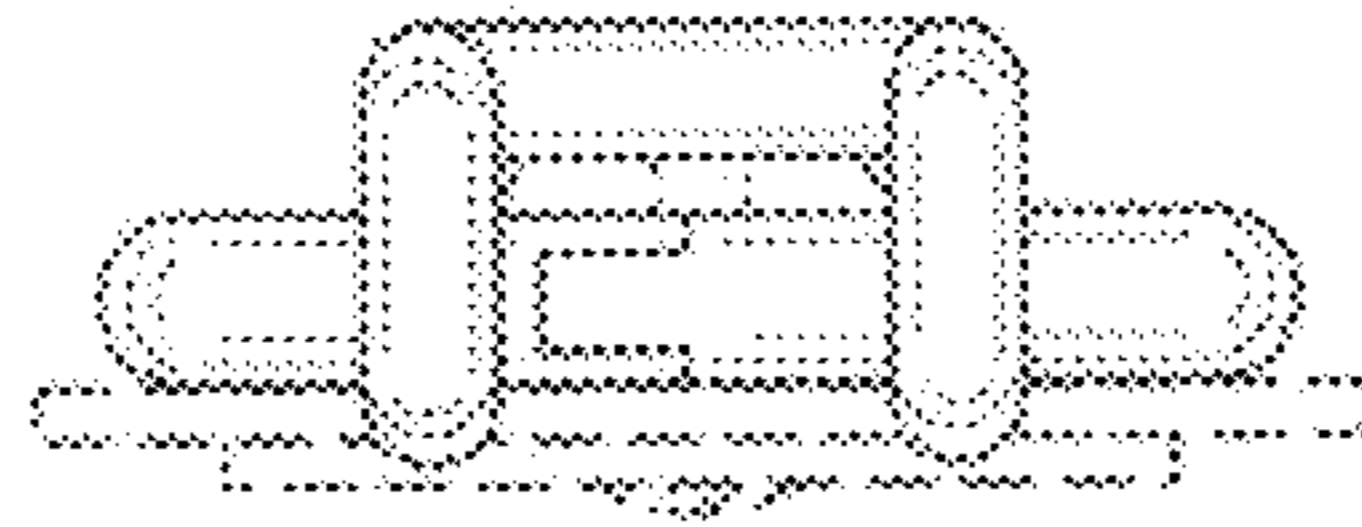


FIG. 6

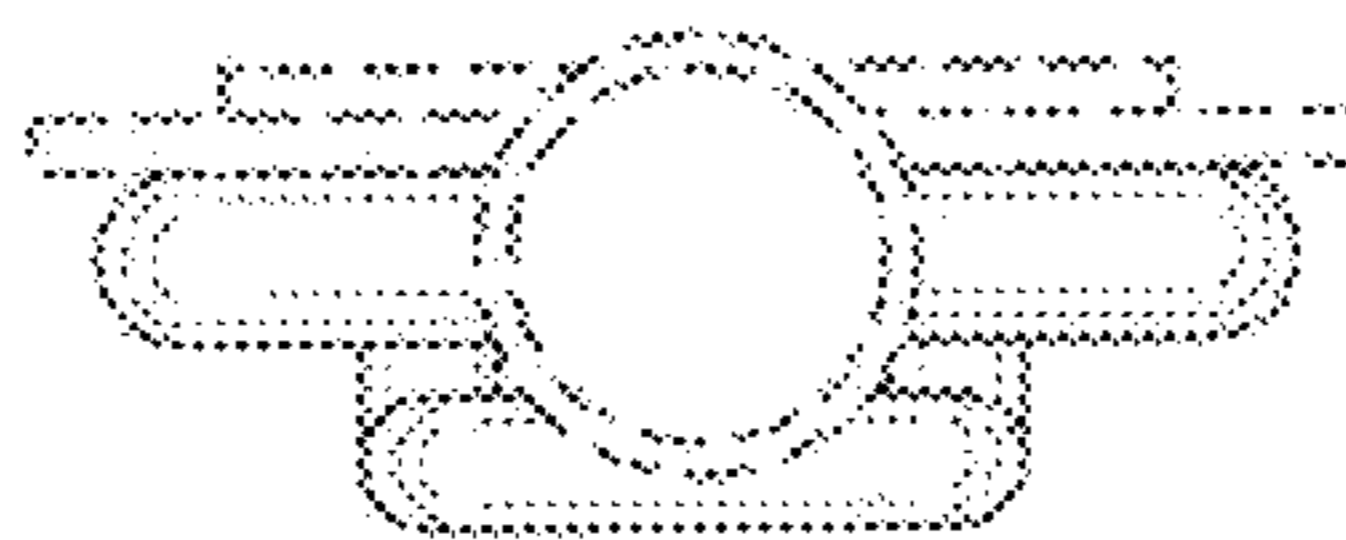


FIG. 7