



US00D649322S

(12) **United States Design Patent**
Bartlett et al.

(10) **Patent No.:** **US D649,322 S**

(45) **Date of Patent:** **** Nov. 22, 2011**

(54) **COUNTERWEIGHT FOR A FORK LIFT TRUCK**

(75) Inventors: **Peter M. Bartlett**, Bellbrook, OH (US);
James V. Kraimer, Haimhausen (DE);
Craig J. Rekow, Troy, OH (US)

(73) Assignee: **Crown Equipment Corporation**, New Bremen, OH (US)

(**) Term: **14 Years**

(21) Appl. No.: **29/382,931**

(22) Filed: **Jan. 10, 2011**

(51) **LOC (9) Cl.** **12-05**

(52) **U.S. Cl.** **D34/35**

(58) **Field of Classification Search** D34/35,
D34/34; 187/222, 237, 238; 414/572, 592,
414/631, 785, 640; 180/89.12, 89.13, 89.17
See application file for complete search history.

(56) **References Cited**

U.S. PATENT DOCUMENTS

D242,337	S	*	11/1976	De Priester et al.	D34/37
D369,010	S	*	4/1996	Soederberg	D34/34
D396,928	S	*	8/1998	Hahn et al.	D34/34
D441,936	S		5/2001	Brandt et al.		
D570,575	S	*	6/2008	Stark	D34/34
D576,775	S	*	9/2008	Buchmann et al.	D34/35
D612,563	S	*	3/2010	Stark	D34/34
D613,474	S	*	4/2010	Yakushi	D34/34

OTHER PUBLICATIONS

Crown; SC 4500 Series; Sit-down Rider Lift Truck; SF14690; Sep. 2010.

* cited by examiner

Primary Examiner — Cynthia Ramirez

(74) *Attorney, Agent, or Firm* — Stevens & Showalter LLP

(57) **CLAIM**

The ornamental design for a counterweight for a fork lift truck, as shown and described.

DESCRIPTION

FIG. 1 is a perspective view of a counterweight for a fork lift truck as seen from the top, rear and left side showing our new design and the environment of a fork lift truck which uses the counterweight;

FIG. 2 is a perspective view thereof as seen from the top, rear and left side shown on an enlarged scale;

FIG. 3 is a front elevational view thereof;

FIG. 4 is a rear elevational view thereof;

FIG. 5 is a left side elevational view thereof;

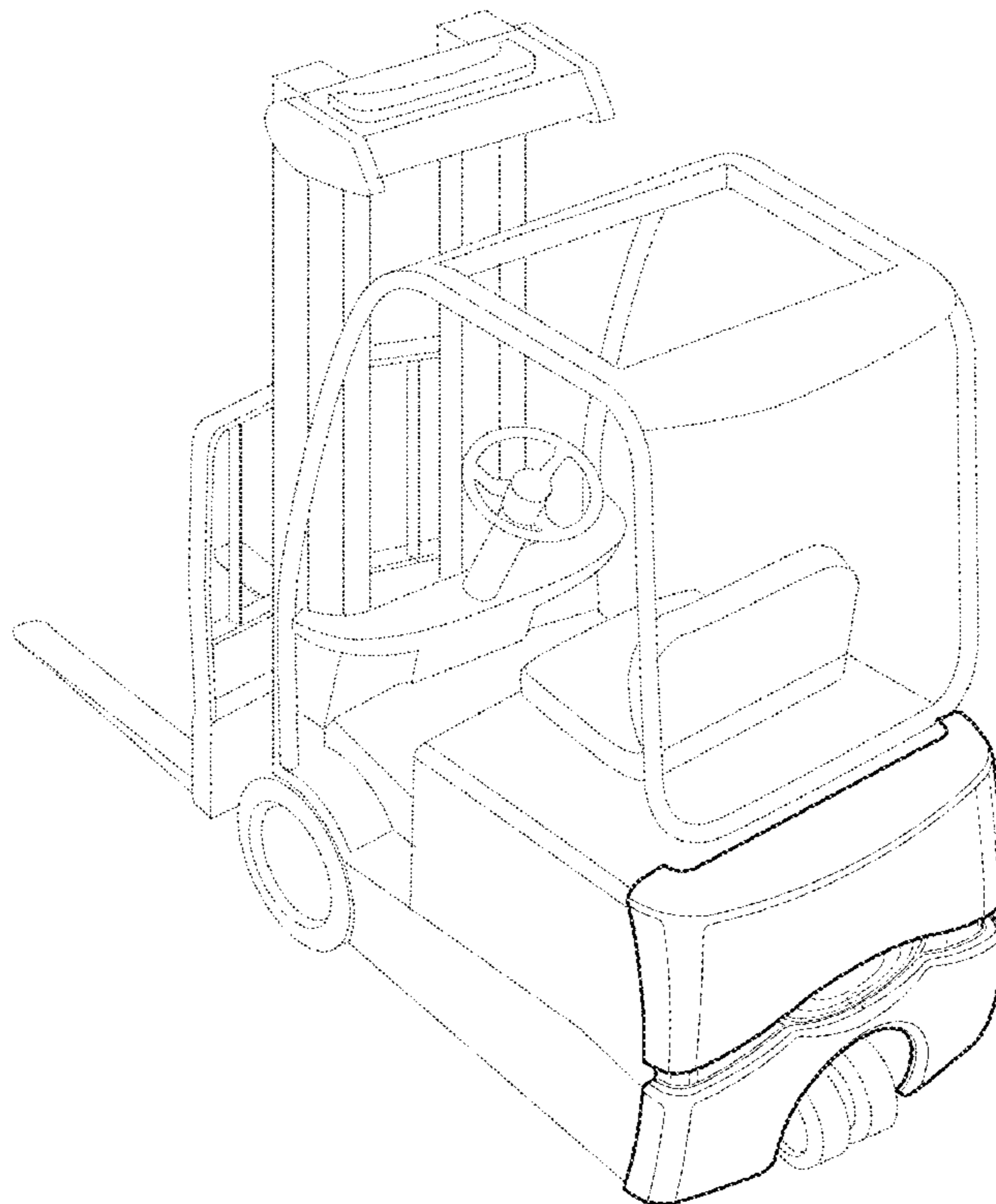
FIG. 6 is a right side elevational view thereof;

FIG. 7 is a top plan view thereof; and,

FIG. 8 is a bottom plan view thereof.

The broken line showings in the figures are for illustrative purposes only and form no part of the claimed design.

1 Claim, 5 Drawing Sheets



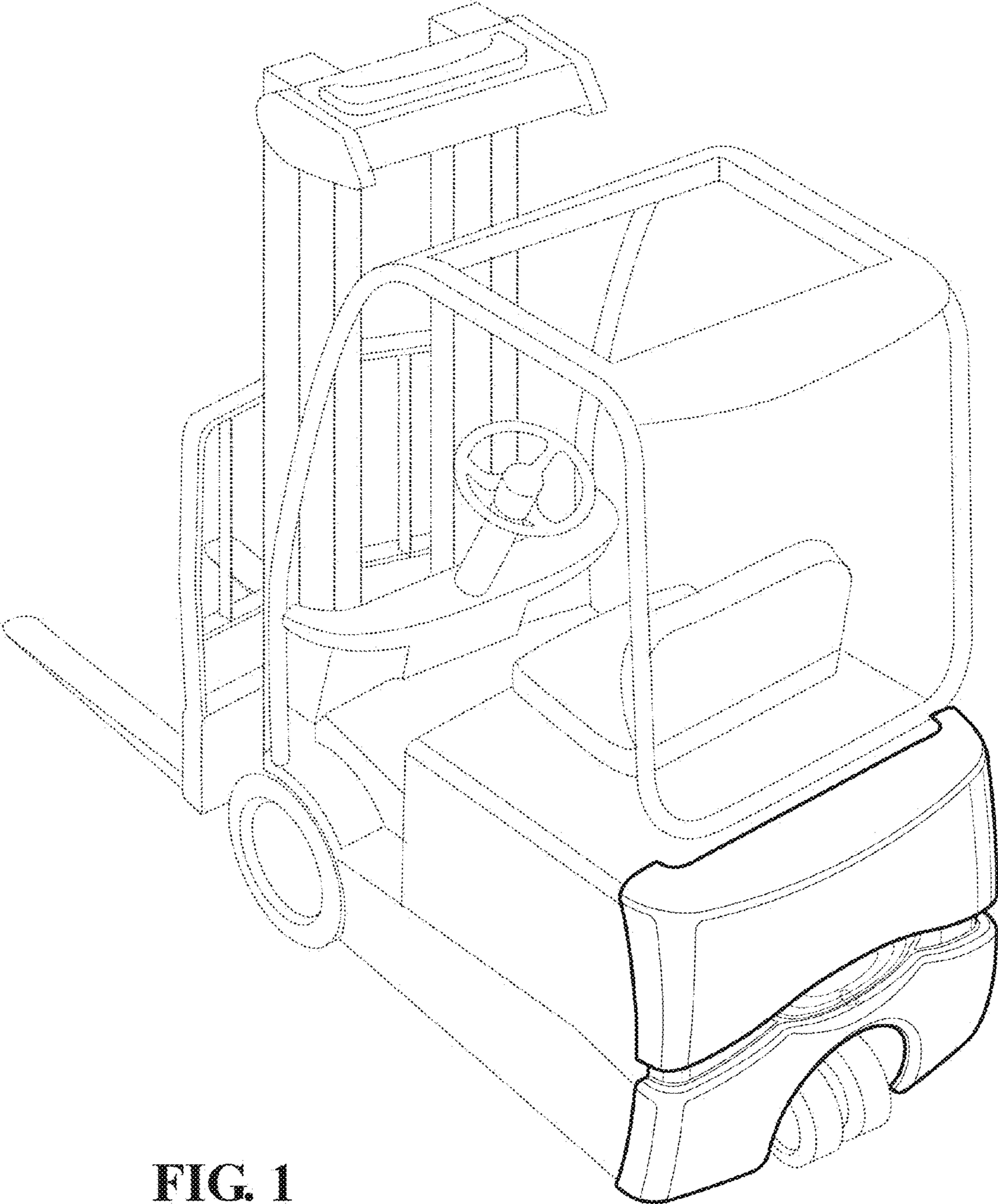


FIG. 1

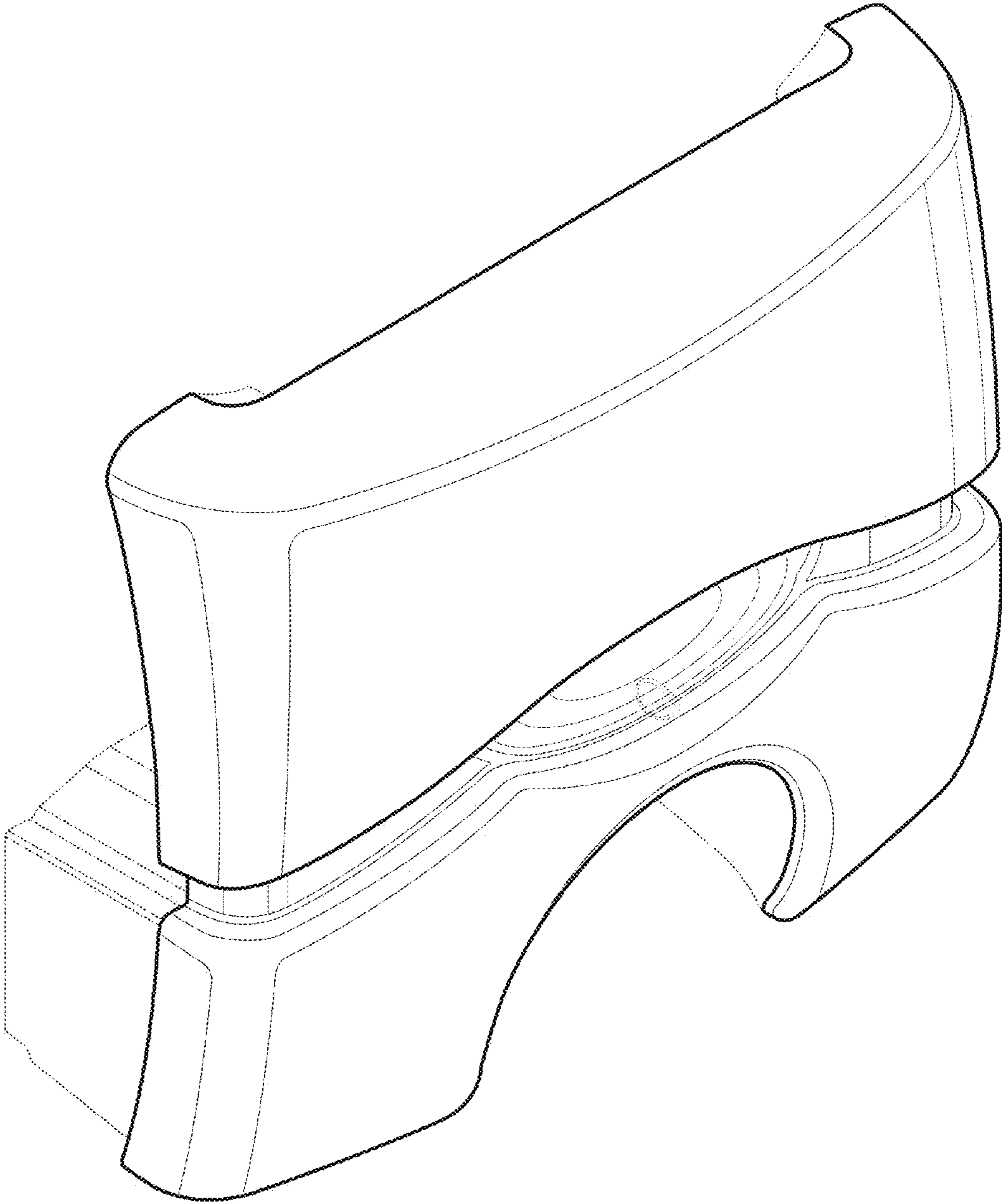


FIG. 2

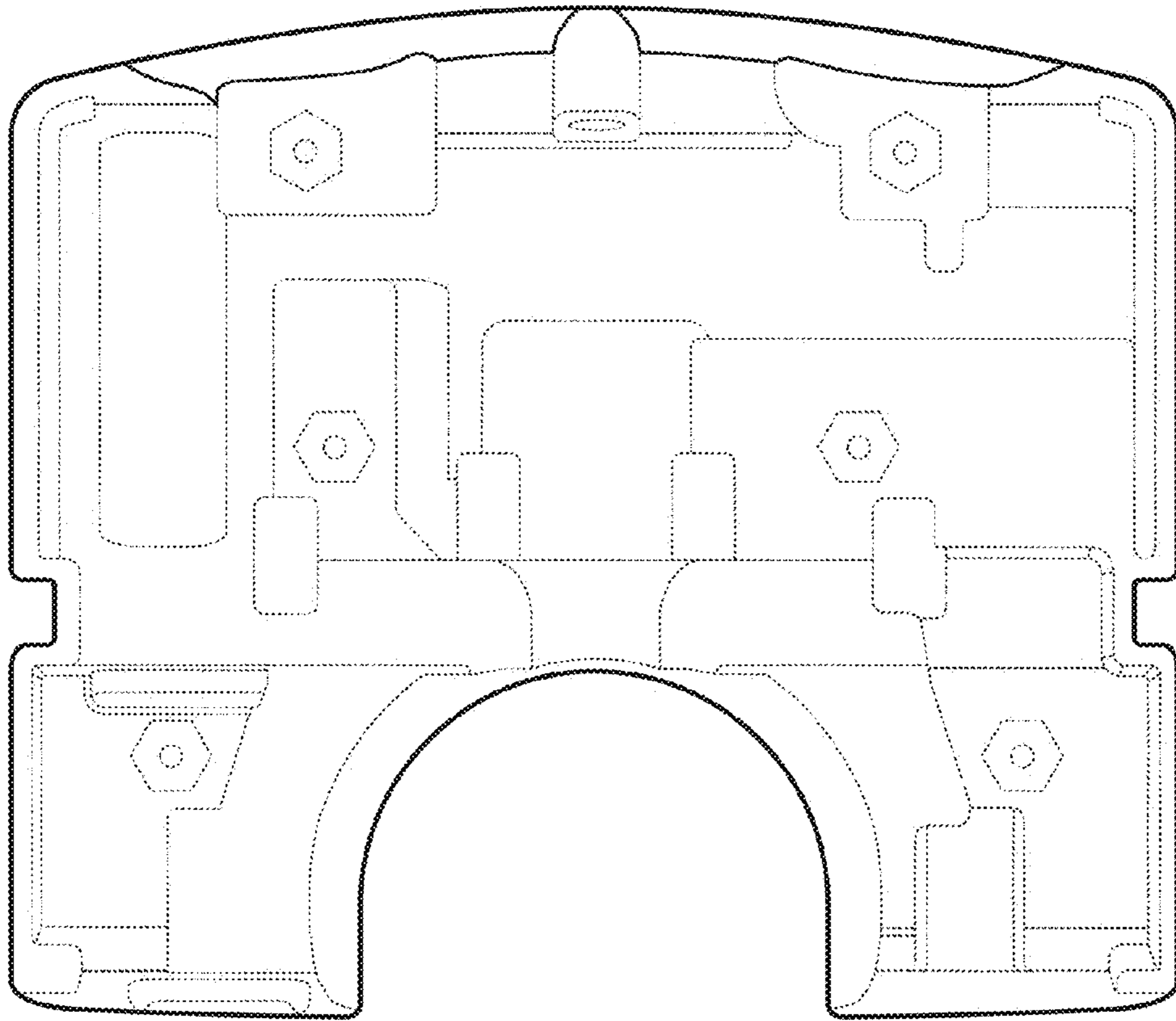


FIG. 3

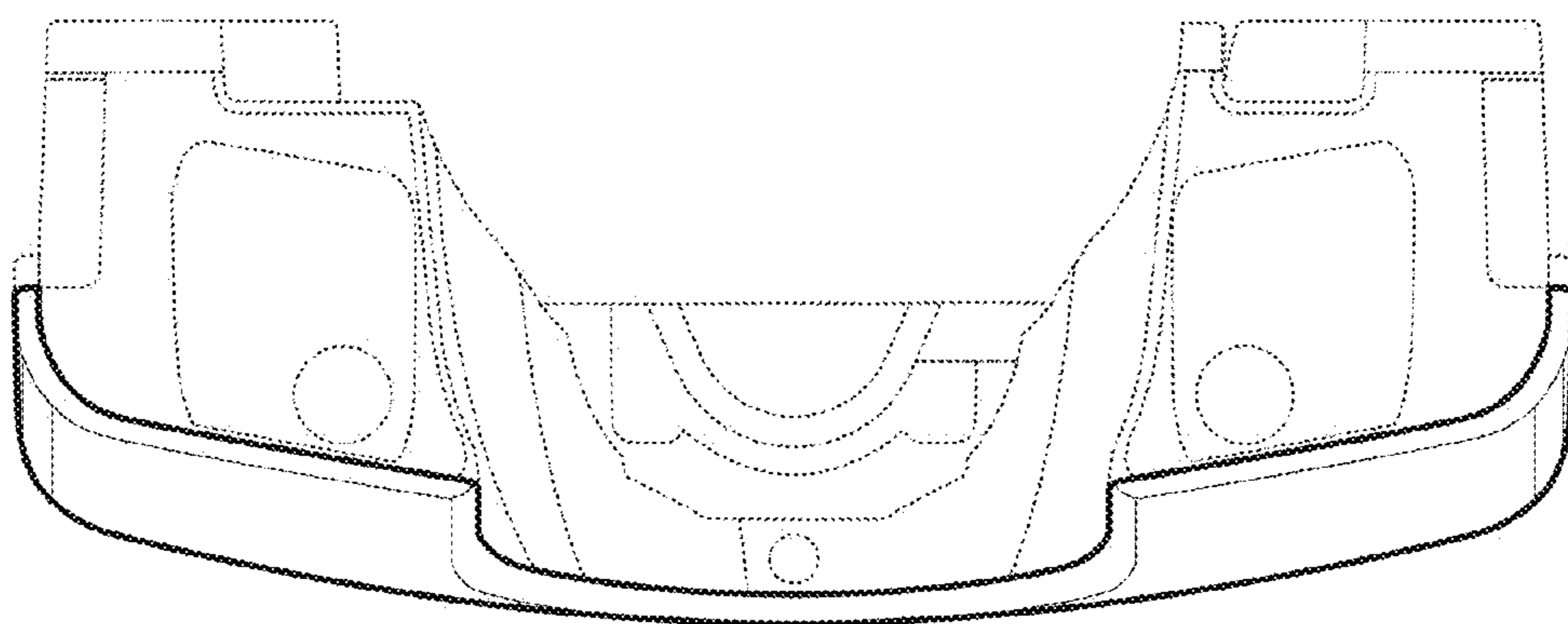


FIG. 8

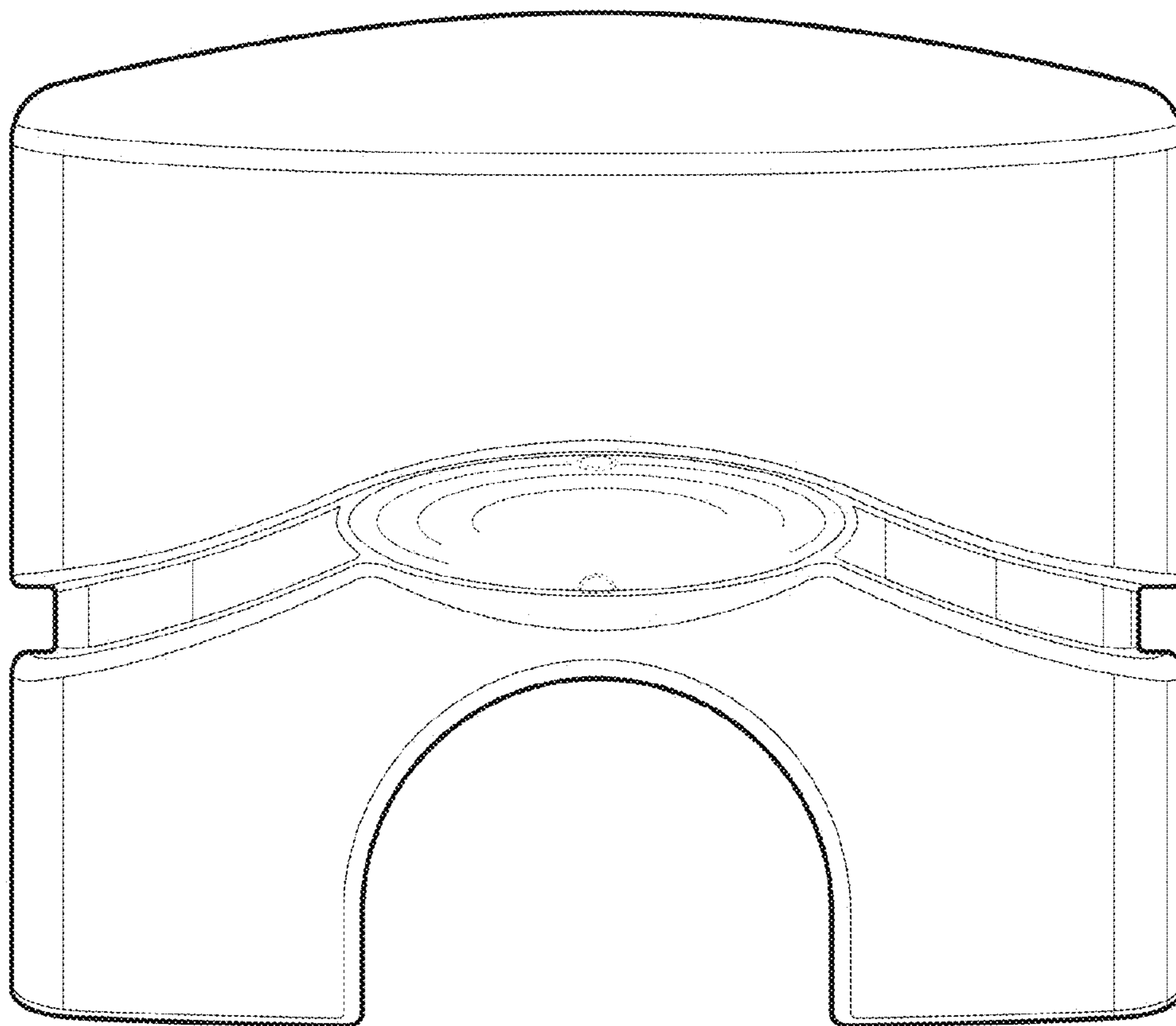


FIG. 4

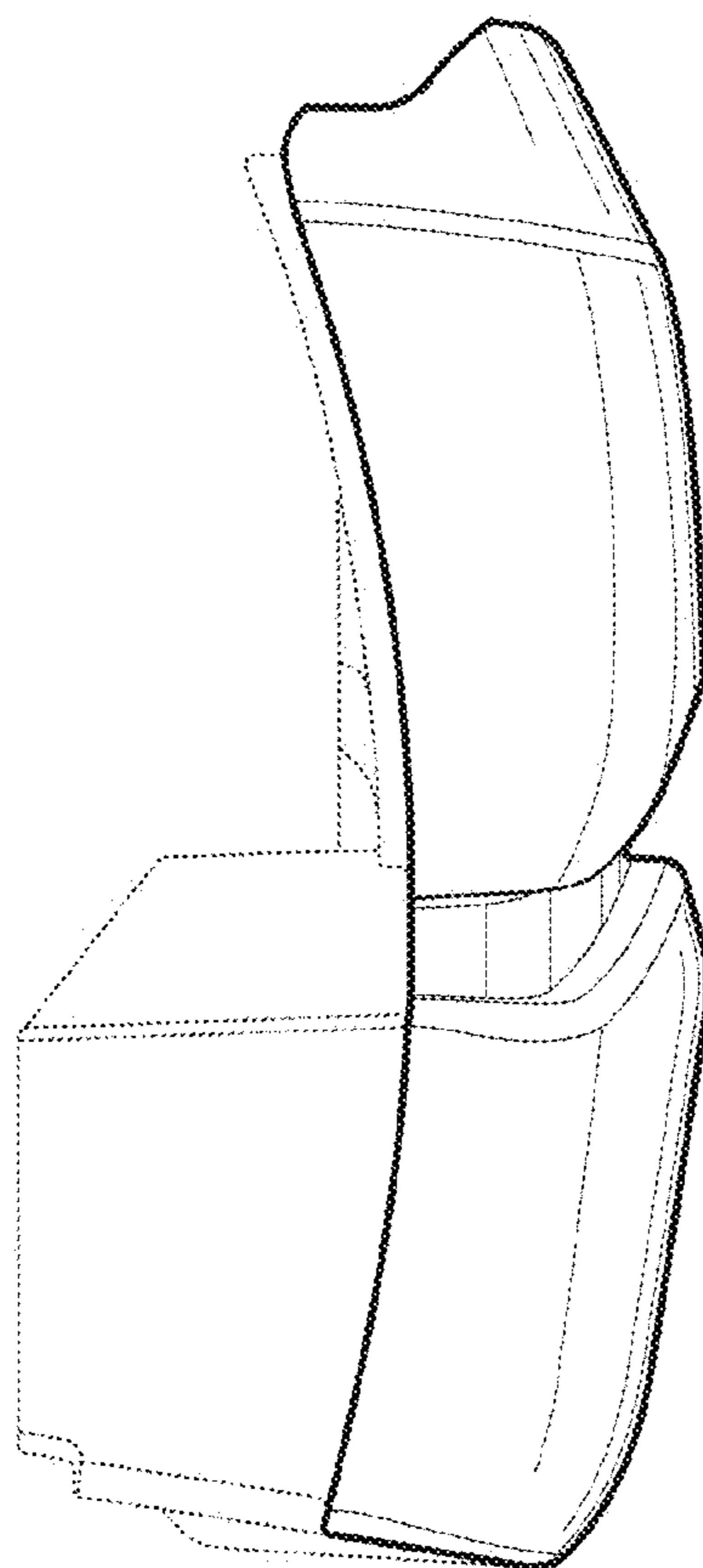


FIG. 5

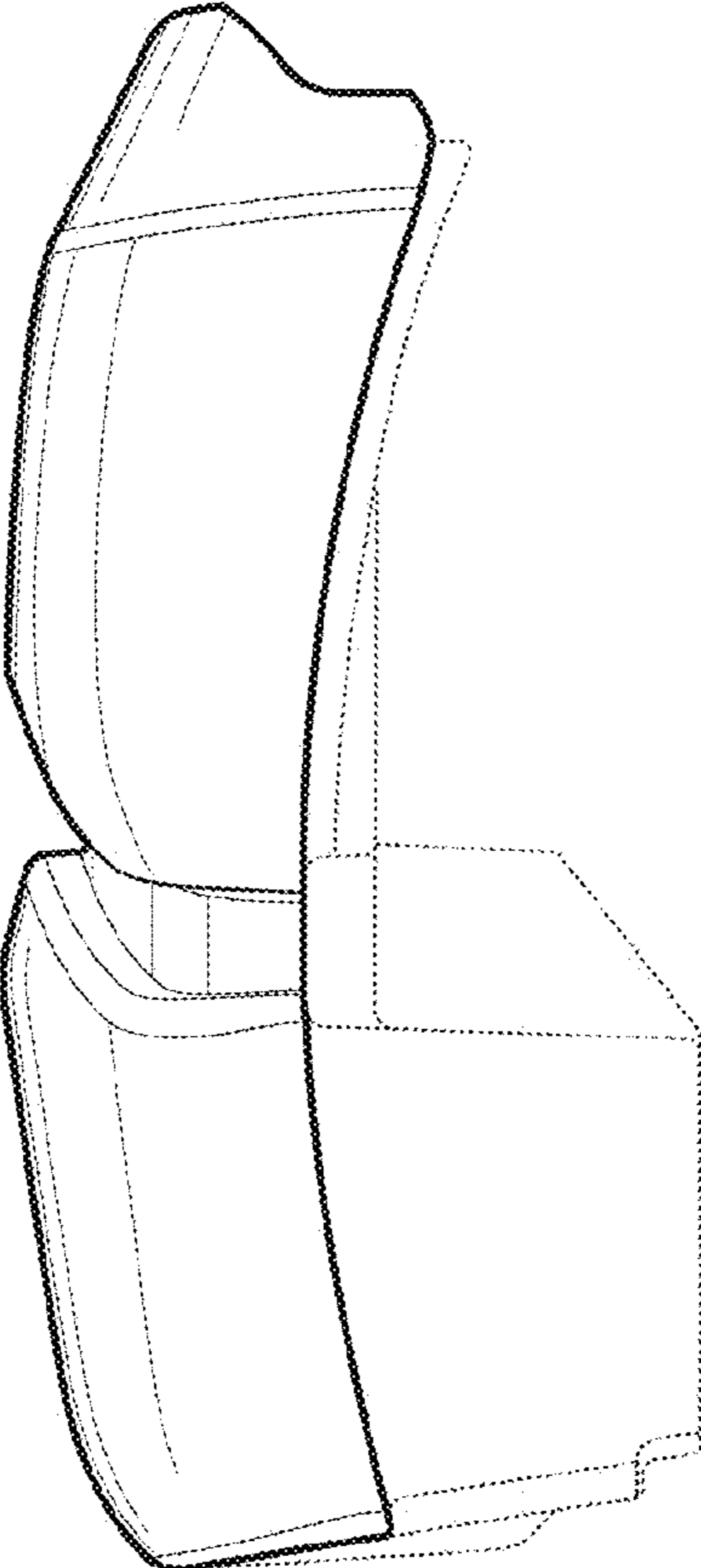


FIG. 6

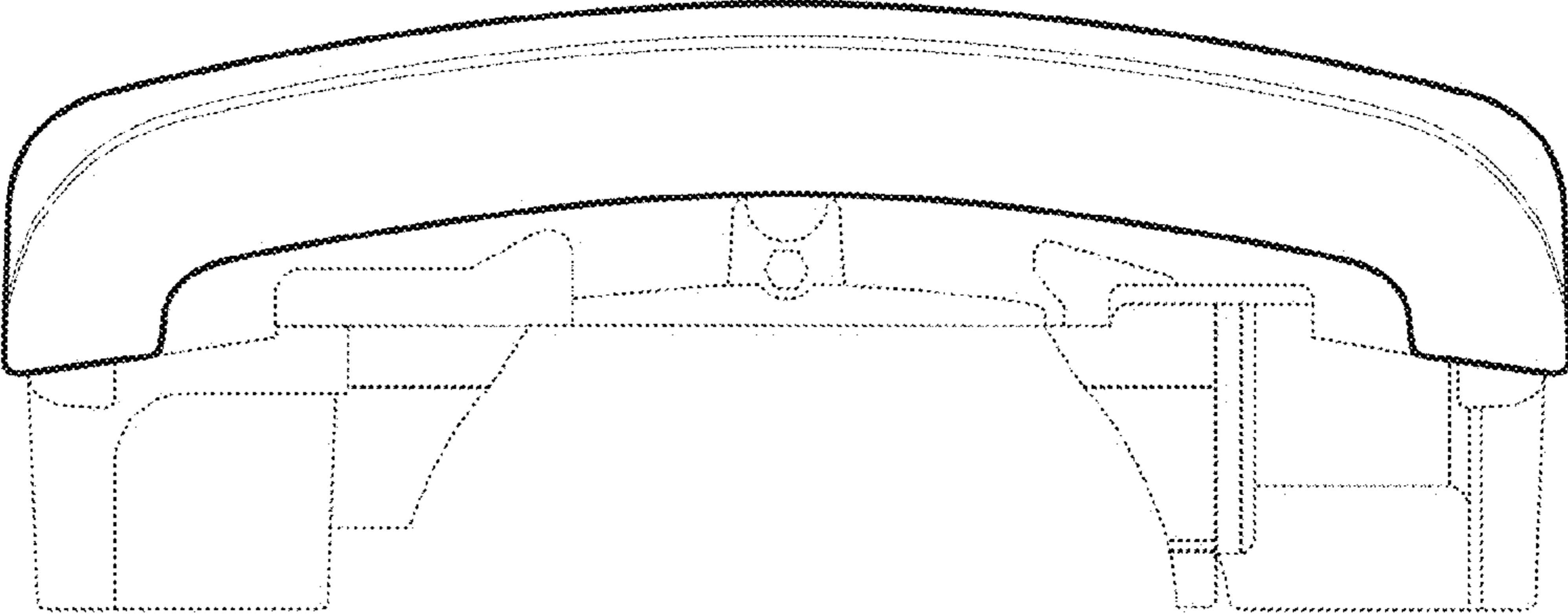


FIG. 7