



US00D649320S

(12) **United States Design Patent**
Renfrew et al.

(10) **Patent No.:** **US D649,320 S**
(45) **Date of Patent:** **** Nov. 22, 2011**

(54) **TROLLEY**

(75) Inventors: **Bruce James Renfrew**, Leicester (GB);
Kenneth Poberezny, Loughborough
(GB); **William James Williamson**,
Thirsk (GB); **Shaun Melvyn Phillips**,
Peterborough (GB)

(73) Assignee: **NHS Blood and Transplant** (GB)

(**) Term: **14 Years**

(21) Appl. No.: **29/390,731**

(22) Filed: **Apr. 28, 2011**

(30) **Foreign Application Priority Data**

Nov. 4, 2010 (EM) 001777178-0003

(51) **LOC (9) Cl.** **12-02**

(52) **U.S. Cl.** **D34/12**

(58) **Field of Classification Search** D34/12-27;
280/654, 47.371, 79.3, 655, 47.18, 47.26,
280/47.35, 47.34, 62, 79.11

See application file for complete search history.

(56) **References Cited**

U.S. PATENT DOCUMENTS

D170,759	S	*	11/1953	Kesler	D21/534
2,674,462	A	*	4/1954	Dracos et al.	280/32.5
3,669,464	A	*	6/1972	Linzmeier	280/47.34
D269,215	S	*	5/1983	Caine	D34/17
5,558,359	A	*	9/1996	Phears	280/654
D418,654	S	*	1/2000	Miller	D34/10
D447,847	S	*	9/2001	Shyshka et al.	D34/21
D604,473	S	*	11/2009	Gibson	D34/16

* cited by examiner

Primary Examiner — Cynthia Ramirez

(74) *Attorney, Agent, or Firm* — Cowan, Liebowitz &
Latman, P.C.; Mark Montague, Esq.

(57) **CLAIM**

The ornamental design for a trolley, as shown.

DESCRIPTION

FIG. 1 is a front perspective view of a trolley of the present invention;

FIG. 2 is a front elevational view thereof;

FIG. 3 is a rear elevational view thereof;

FIG. 4 is a right side elevational view thereof;

FIG. 5 is a left side elevational view thereof;

FIG. 6 is a top plan view thereof;

FIG. 7 is a bottom plan view thereof; and,

FIG. 8 is another perspective view thereof.

1 Claim, 8 Drawing Sheets



FIG. 1



FIG. 2

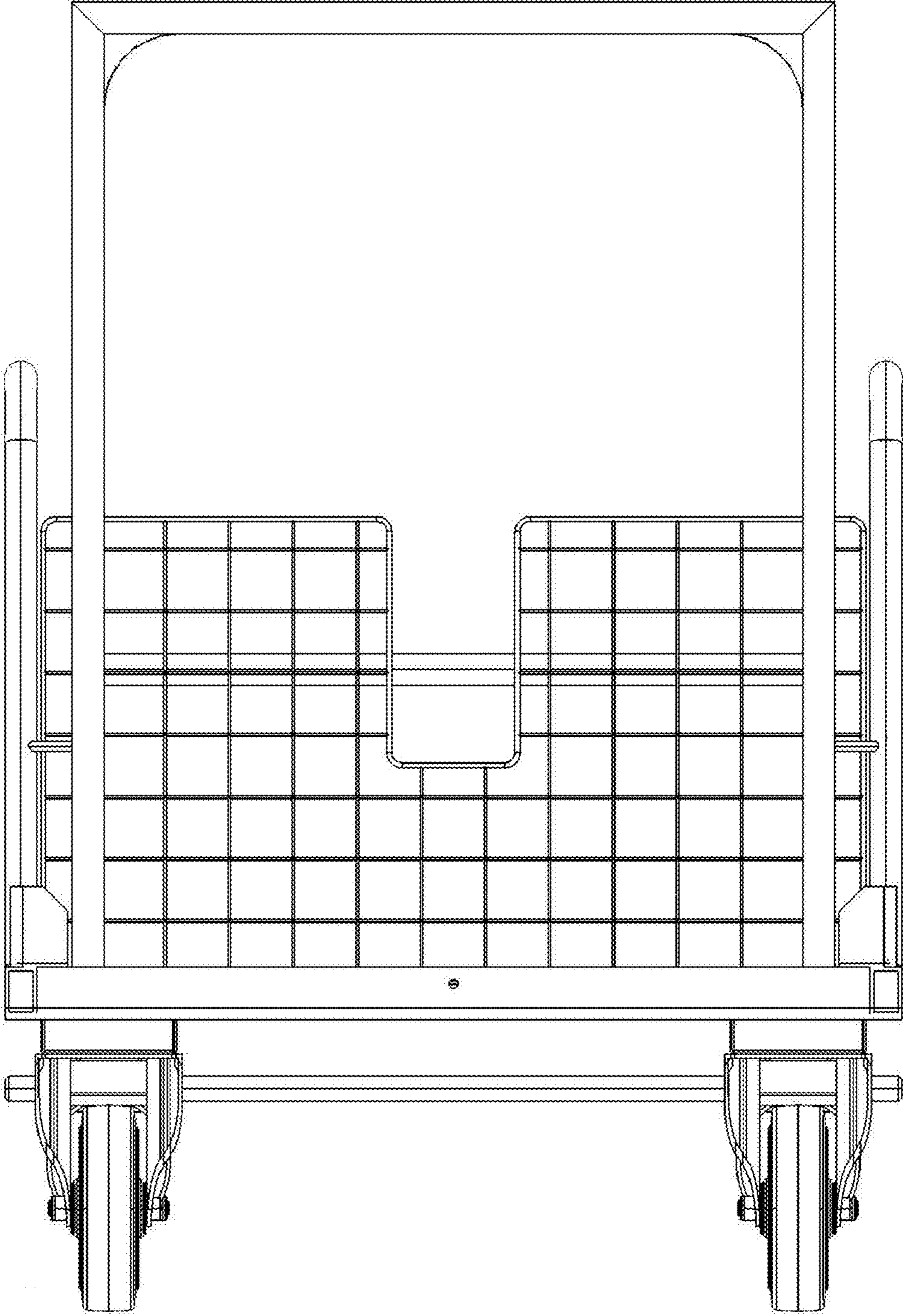


FIG. 3

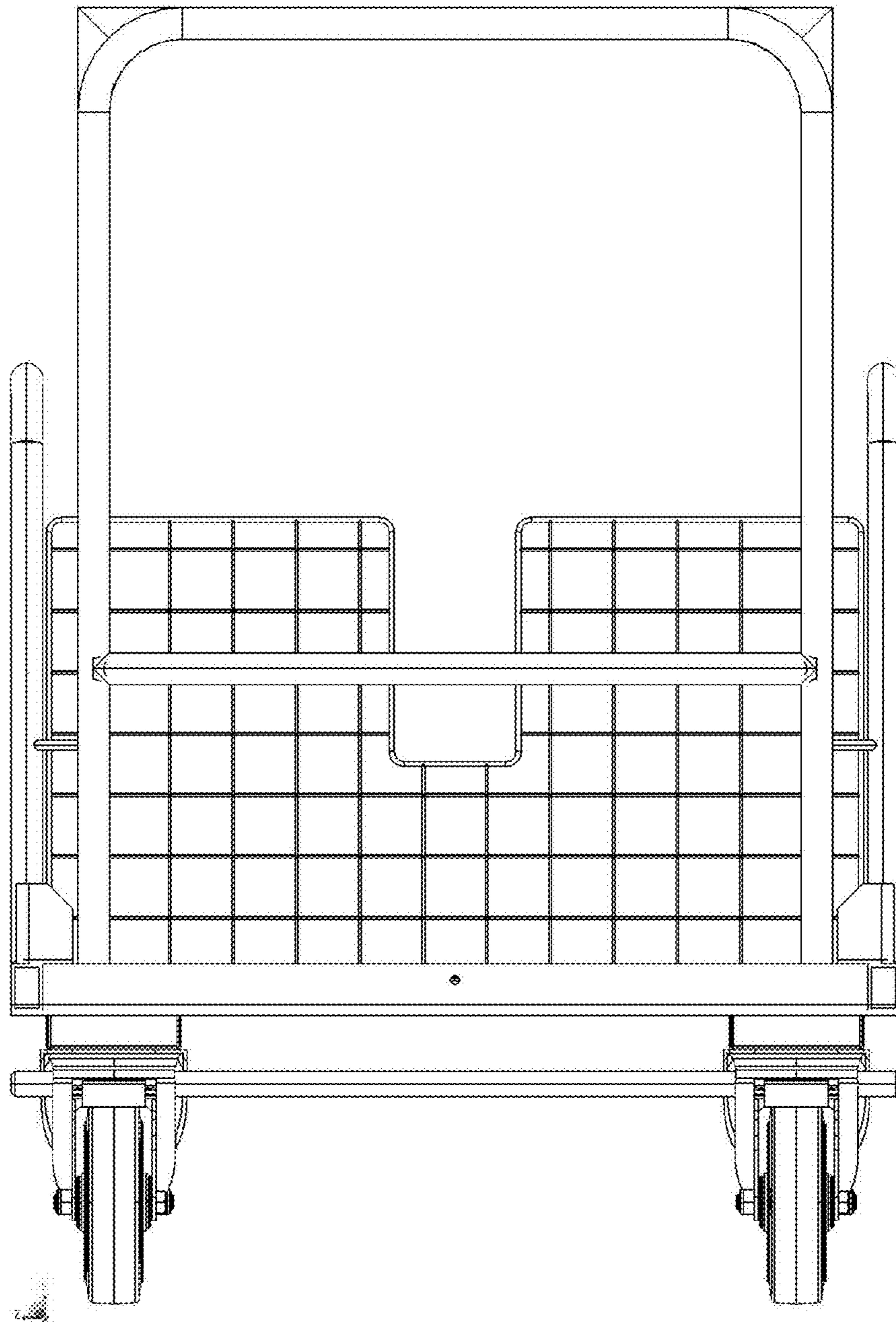


FIG. 4

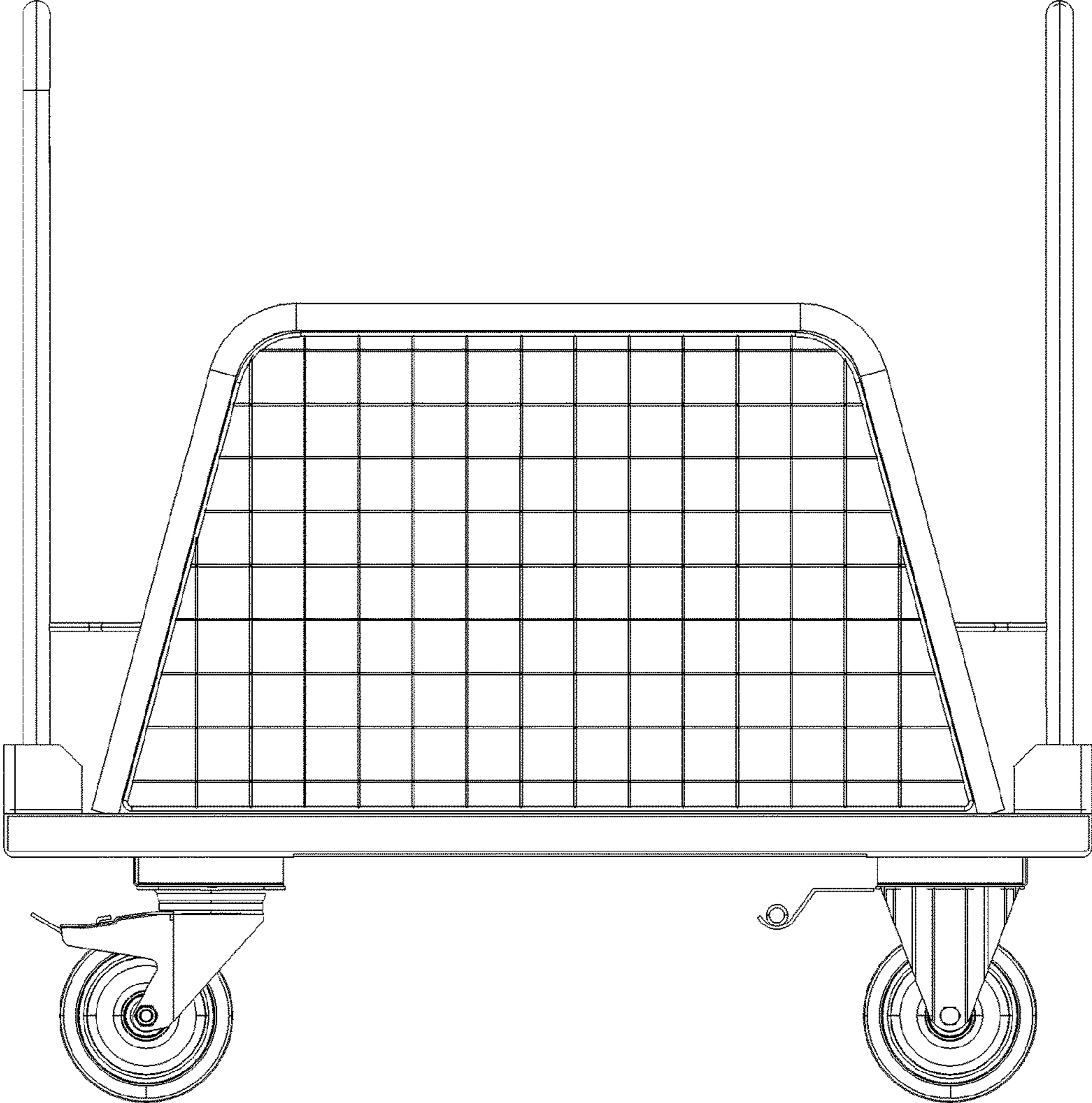
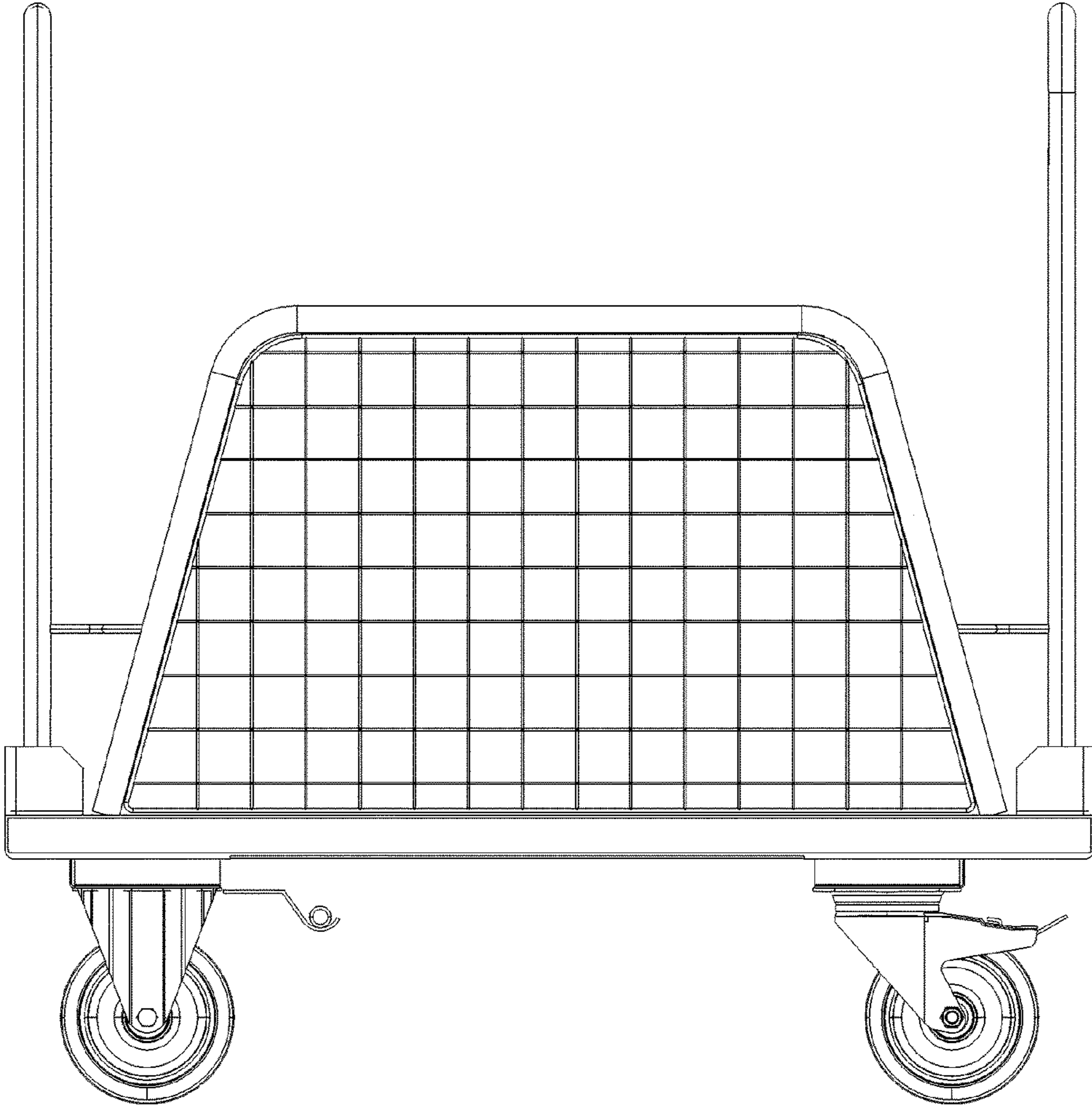


FIG. 5



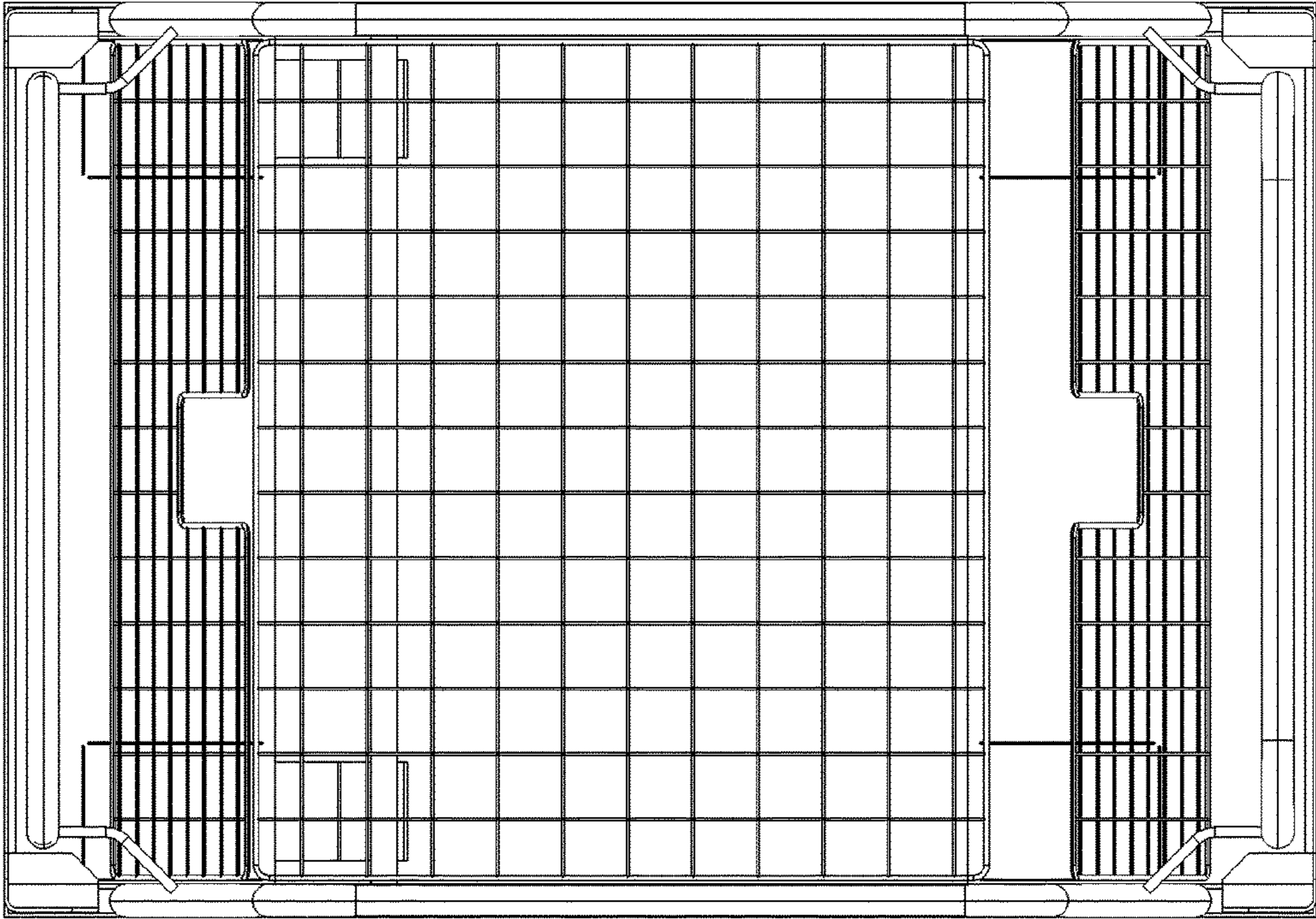


FIG. 6

FIG. 7

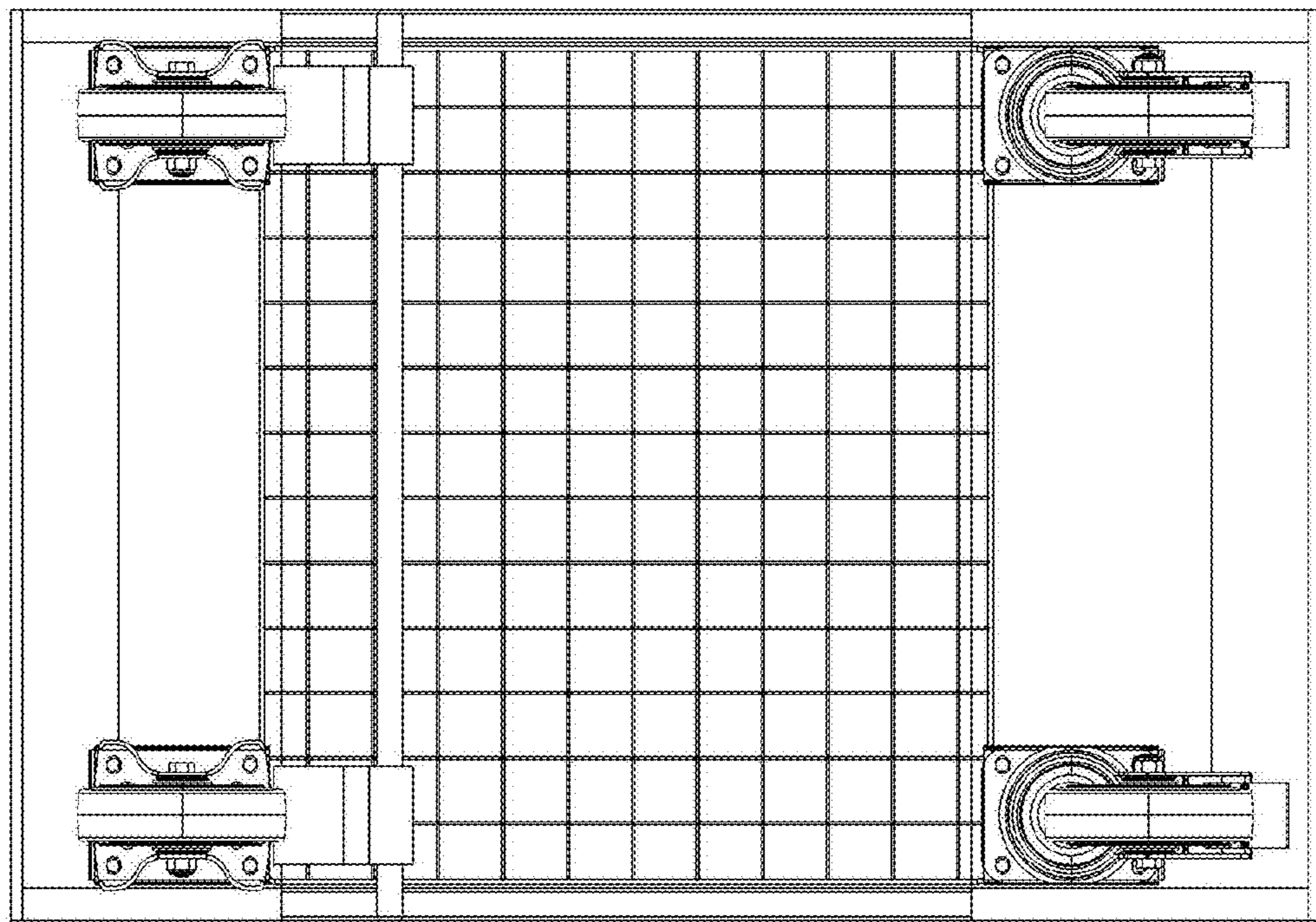


FIG. 8

