



US00D649317S

(12) **United States Design Patent**
Nolin et al.

(10) **Patent No.:** **US D649,317 S**

(45) **Date of Patent:** **** *Nov. 22, 2011**

(54) **RECYCLING AND REFUSE CURBSIDE CART**

(76) Inventors: **Daniel Nolin**, Winnipeg (CA); **Deborah F. Leaman**, Winnipeg (CA)

(*) Notice: This patent is subject to a terminal disclaimer.

(**) Term: **14 Years**

(21) Appl. No.: **29/281,678**

(22) Filed: **Jun. 28, 2007**

(51) **LOC (9) Cl.** **12-02**

(52) **U.S. Cl.** **D34/12**

(58) **Field of Classification Search** D34/12-27,
D34/10, 11; 280/47.16, 47.19, 47.24, 46.26,
280/47.33; 248/907; 211/85.19

See application file for complete search history.

(56) **References Cited**

U.S. PATENT DOCUMENTS

D182,206 S *	2/1958	Shepard	D34/21
D182,298 S *	3/1958	McGrath	D34/24
D201,547 S *	7/1965	Krneger	D34/26
3,214,120 A *	10/1965	McKee	248/129
D219,581 S *	12/1970	Parsons	D34/24
RE27,437 E *	7/1972	Bailey	280/47.19
D227,880 S *	7/1973	Steinhoff	D34/24

D289,578 S *	4/1987	Ruffin	D34/17
D300,975 S *	5/1989	Talton	D34/26
D334,451 S *	3/1993	Lindeman	D34/15
D422,392 S *	4/2000	Weinstein	D34/12
D424,266 S *	5/2000	McIntyre	D34/24
D441,935 S *	5/2001	Cook	D34/24
D456,582 S *	4/2002	Riach	D34/24
D481,511 S *	10/2003	Lee	D34/24

* cited by examiner

Primary Examiner — Cynthia Ramirez

(74) *Attorney, Agent, or Firm* — Adrian D. Battison; Ade & Company Inc

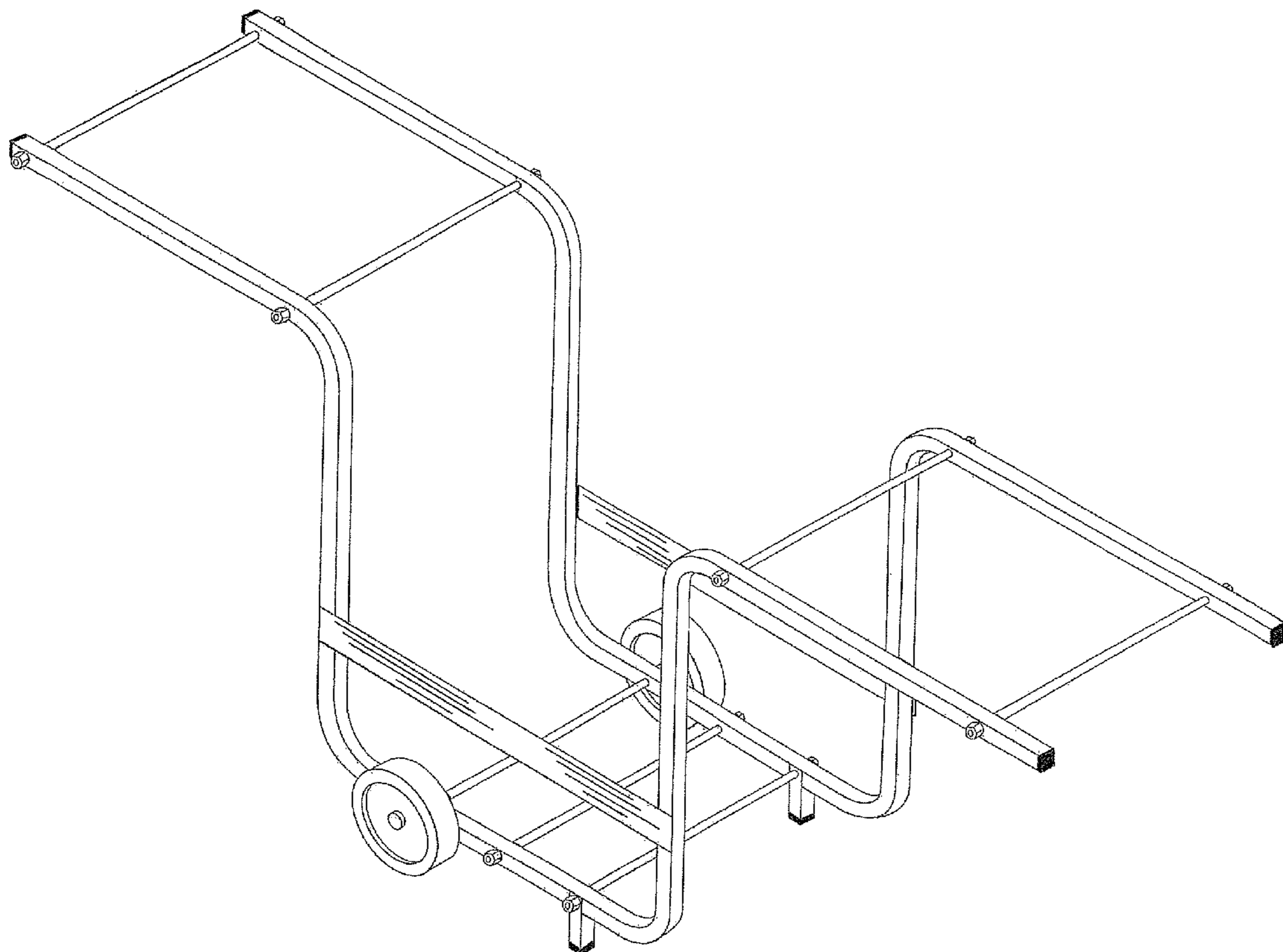
(57) **CLAIM**

The ornamental design for a recycling and refuse curbside cart, as shown and described.

DESCRIPTION

FIG. 1 is an isometric view of the cart showing the design; FIG. 2 is a top plan view of the cart showing the design; FIG. 3 is a bottom plan view of the cart showing the design; FIG. 4 is a side elevational view of the cart showing the design; FIG. 5 is a front elevational view of the cart showing the design; and, FIG. 6 is a rear elevational view of the cart showing the design.

1 Claim, 6 Drawing Sheets



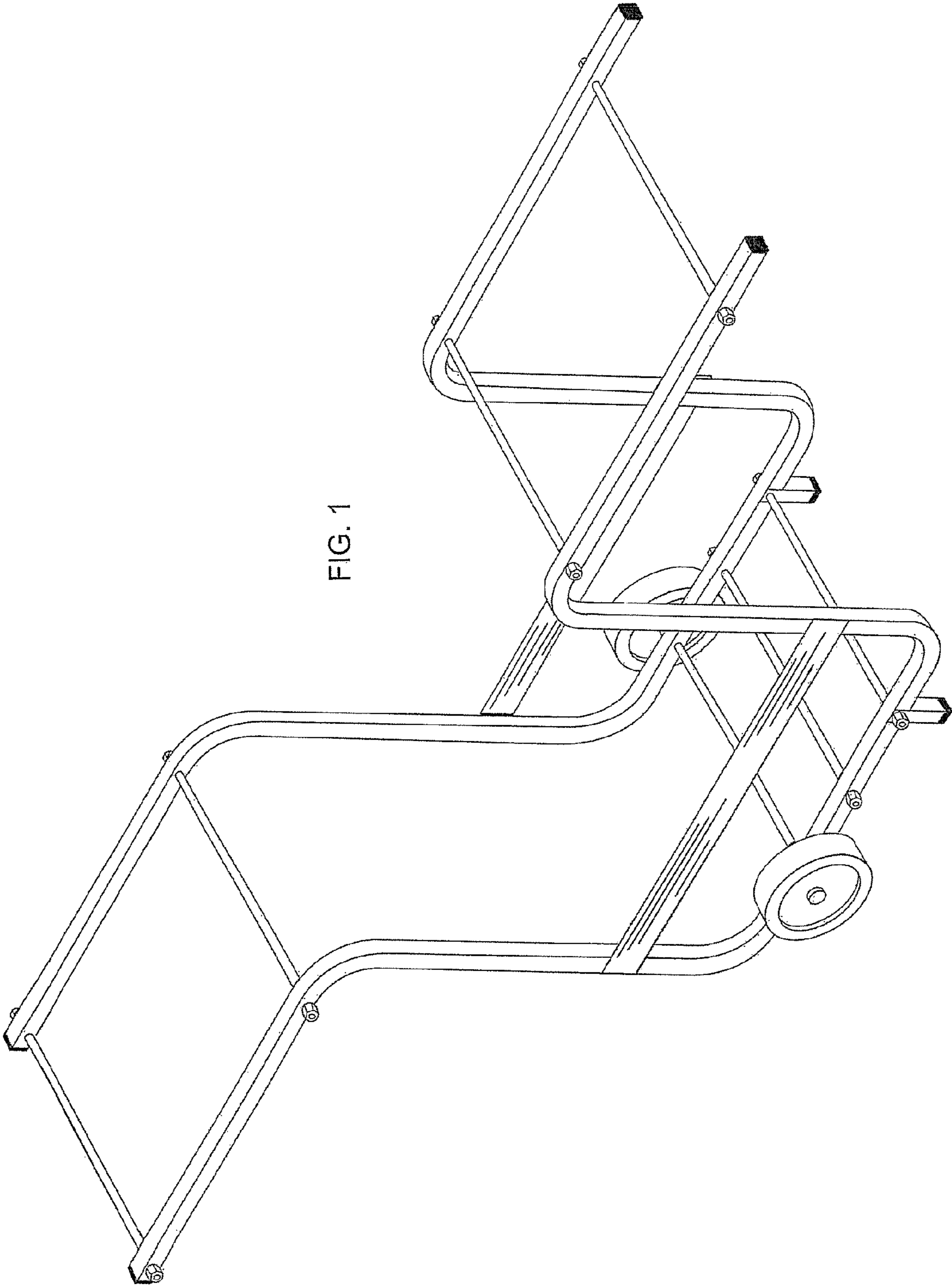


FIG. 1

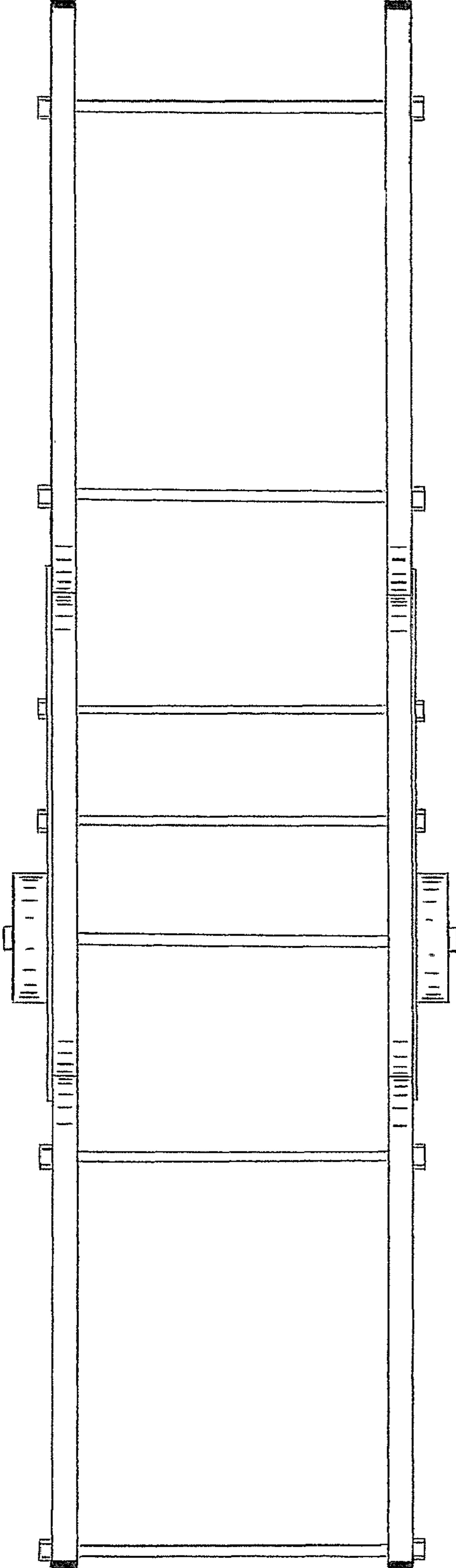


FIG. 2

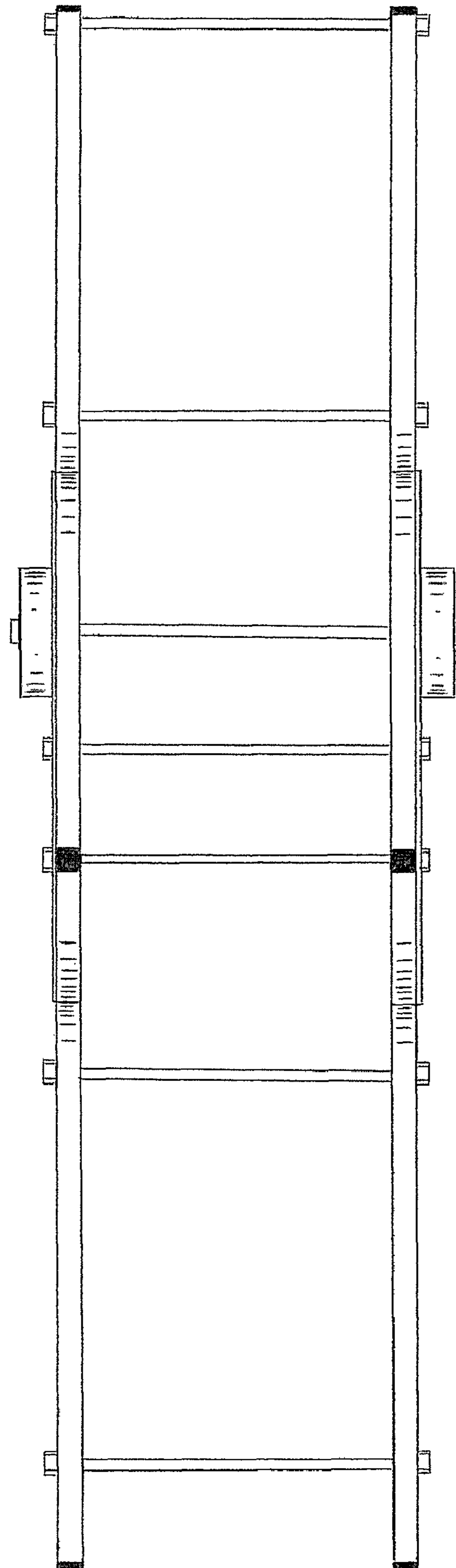


FIG. 3

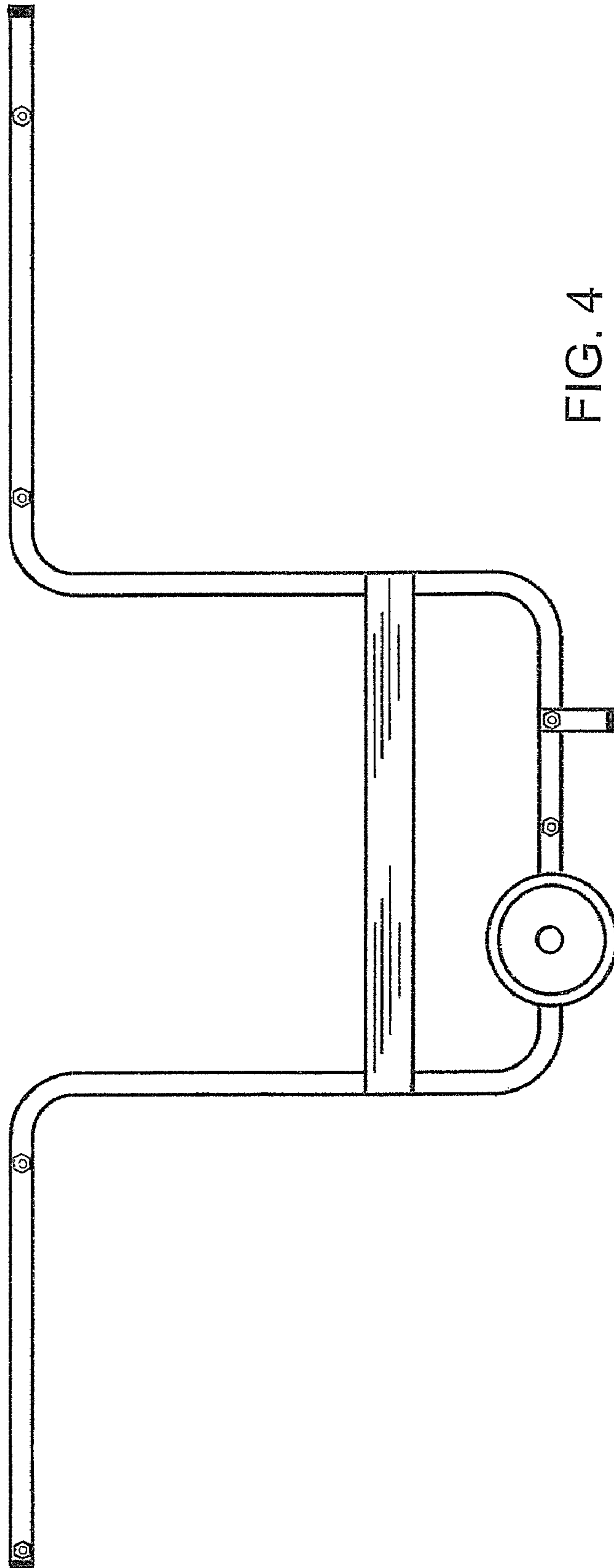


FIG. 4

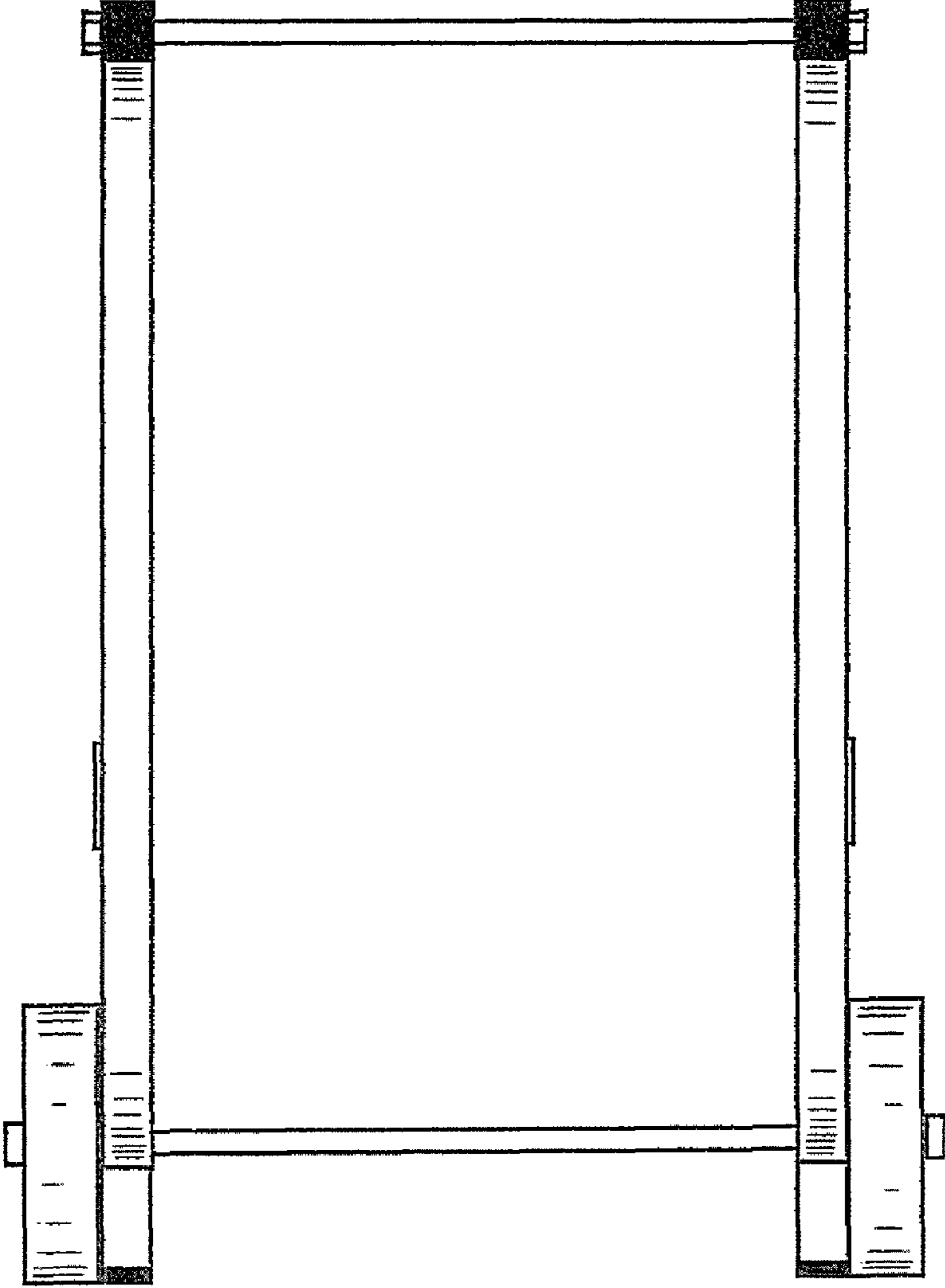


FIG. 5

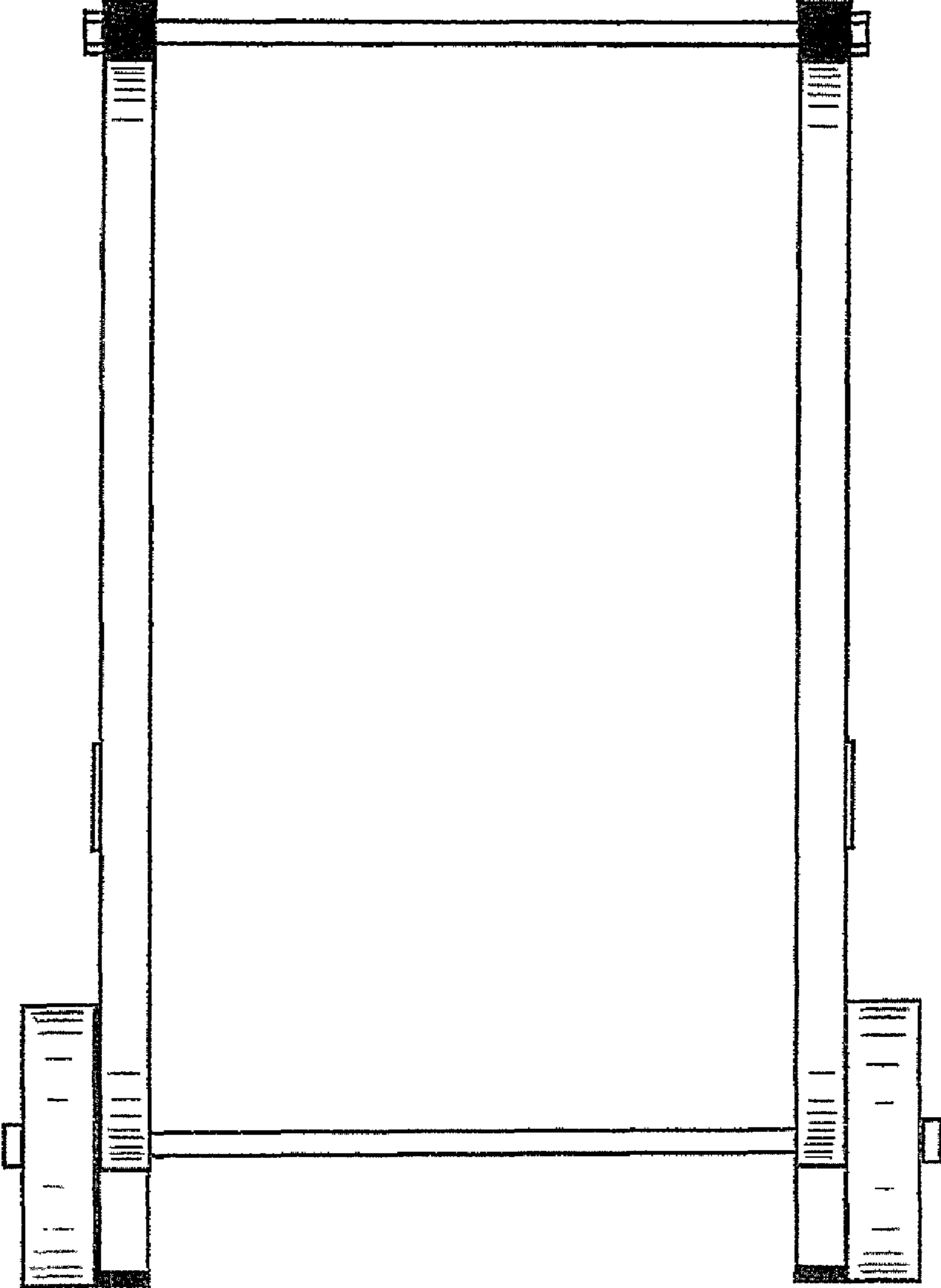


FIG. 6