



US00D649314S

(12) **United States Design Patent**  
**Quinlan et al.**

(10) **Patent No.:** **US D649,314 S**

(45) **Date of Patent:** **\*\* Nov. 22, 2011**

(54) **WINDOW CLEANING TOOL**

(75) Inventors: **David Quinlan**, Plantsville, CT (US);  
**Kai Hirsch**, Solingen (DE); **Bernard**  
**Leon Bensussan**, Monroe, CT (US);  
**Joseph K Patterson**, Monroe, CT (US)

(73) Assignee: **Unger Marketing International, LLC**,  
Bridgeport, CT (US)

(\*\*) Term: **14 Years**

(21) Appl. No.: **29/382,794**

(22) Filed: **Jan. 7, 2011**

(51) **LOC (9) Cl.** ..... **04-01**

(52) **U.S. Cl.** ..... **D32/41**

(58) **Field of Classification Search** ..... D32/40-42;  
15/244.1-244.4, 208, 209.1, 245, 245.1,  
15/121

See application file for complete search history.

(56) **References Cited**

U.S. PATENT DOCUMENTS

2,112,462	A *	3/1938	Hawrylasz	.....	15/245
2,123,638	A *	7/1938	Steccone	.....	15/245
2,814,822	A *	12/1957	Page	.....	15/245
2,905,960	A *	9/1959	Ward	.....	15/245
D298,072	S *	10/1988	Stirling	.....	D32/40
4,777,694	A *	10/1988	Young	.....	15/245

4,847,938	A *	7/1989	Unger	.....	15/245
6,931,690	B2 *	8/2005	Cox	.....	15/245
7,000,282	B2 *	2/2006	Cox et al.	.....	15/245
7,748,074	B2 *	7/2010	Guizzi	.....	15/245
D627,532	S *	11/2010	Yang et al.	.....	D32/41
D632,857	S *	2/2011	Sgroi et al.	.....	D32/41
D634,496	S *	3/2011	Porco	.....	D32/41

\* cited by examiner

*Primary Examiner* — Robin V Webster

(74) *Attorney, Agent, or Firm* — Ohlandt, Greeley, Ruggiero  
& Perle, L.L.P.

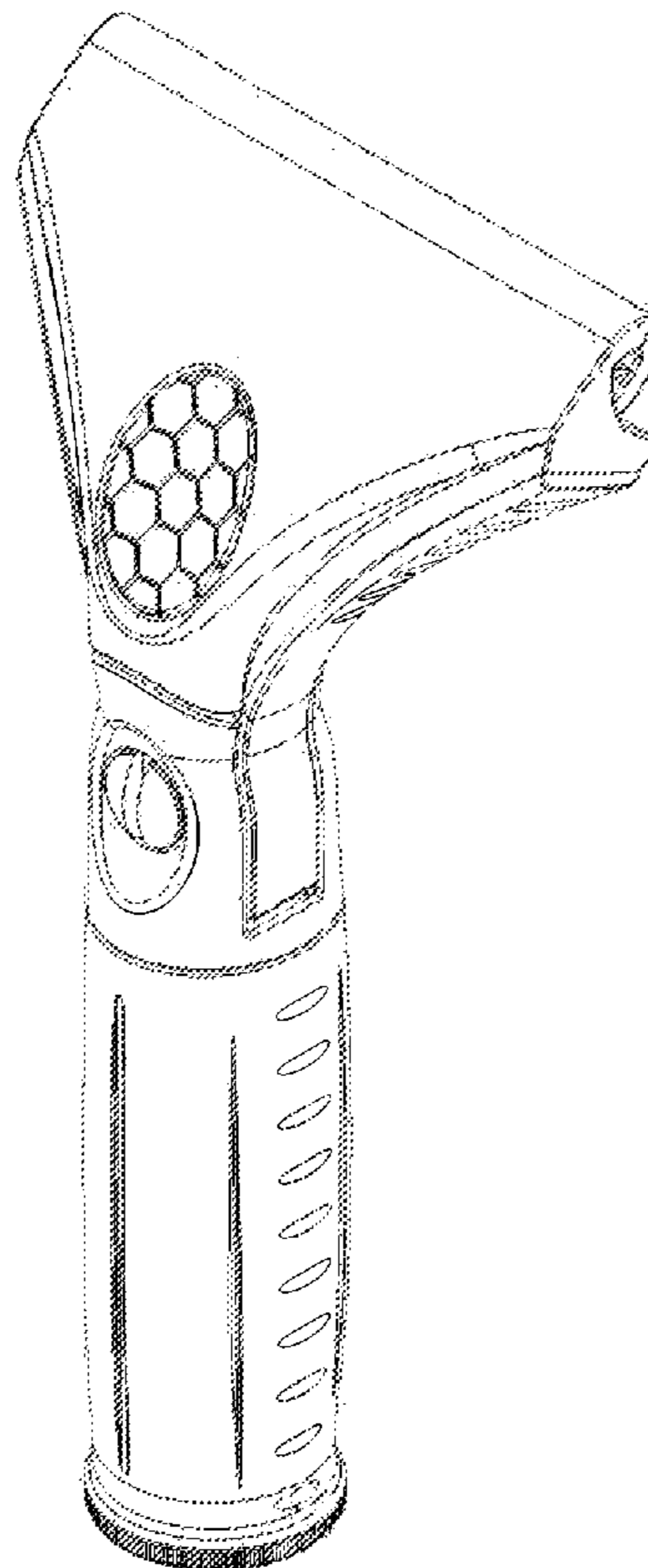
(57) **CLAIM**

The ornamental design for the window cleaning tool, as shown and described.

**DESCRIPTION**

FIG. 1 is a front perspective view of a window cleaning tool showing our new design;  
FIG. 2 is a rear perspective view thereof;  
FIG. 3 is a front plan view thereof;  
FIG. 4 is a rear plan view thereof;  
FIG. 5 is a right side view thereof;  
FIG. 6 is a left side view thereof;  
FIG. 7 is an enlarged top plan view;  
FIG. 8 is an enlarged bottom plan view;  
FIG. 9 is a front plan view shown in a rotated position; and,  
FIG. 10 is a rear plan view thereof.

**1 Claim, 10 Drawing Sheets**



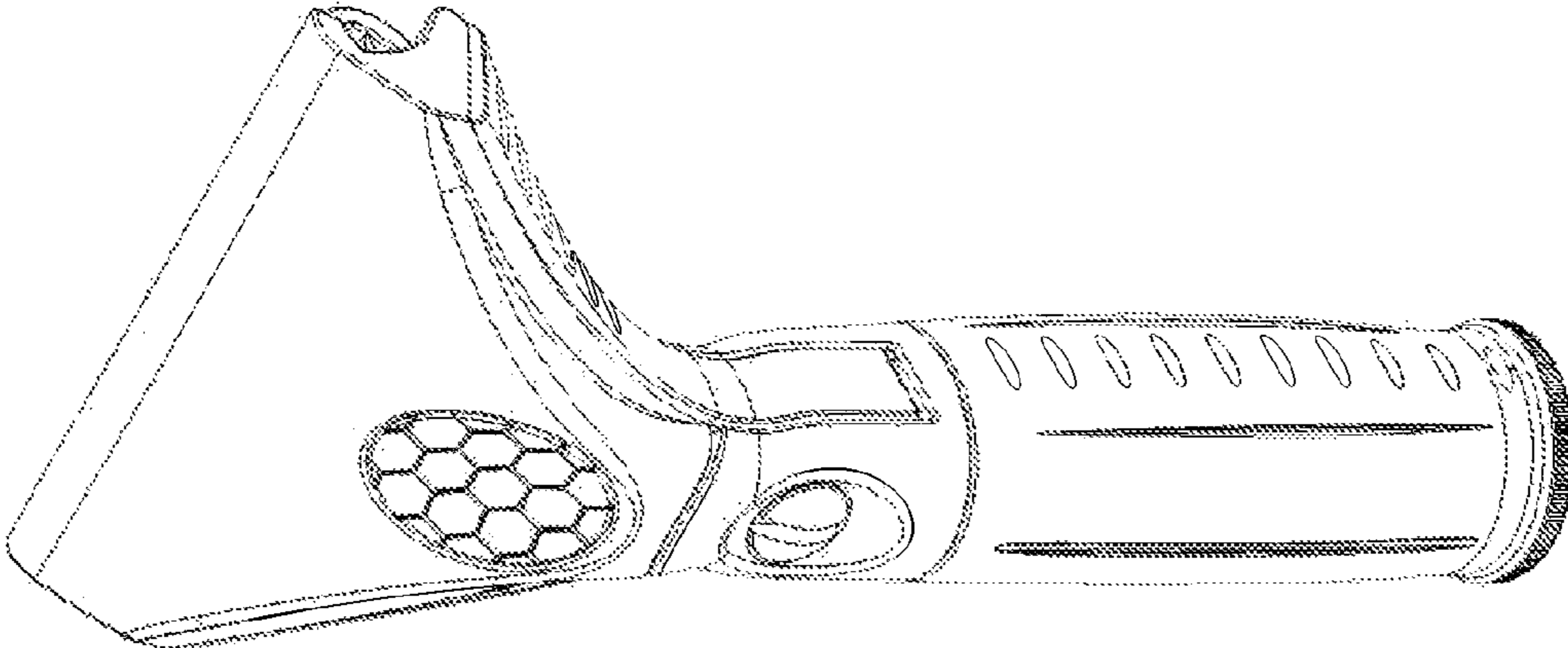


FIG. 1

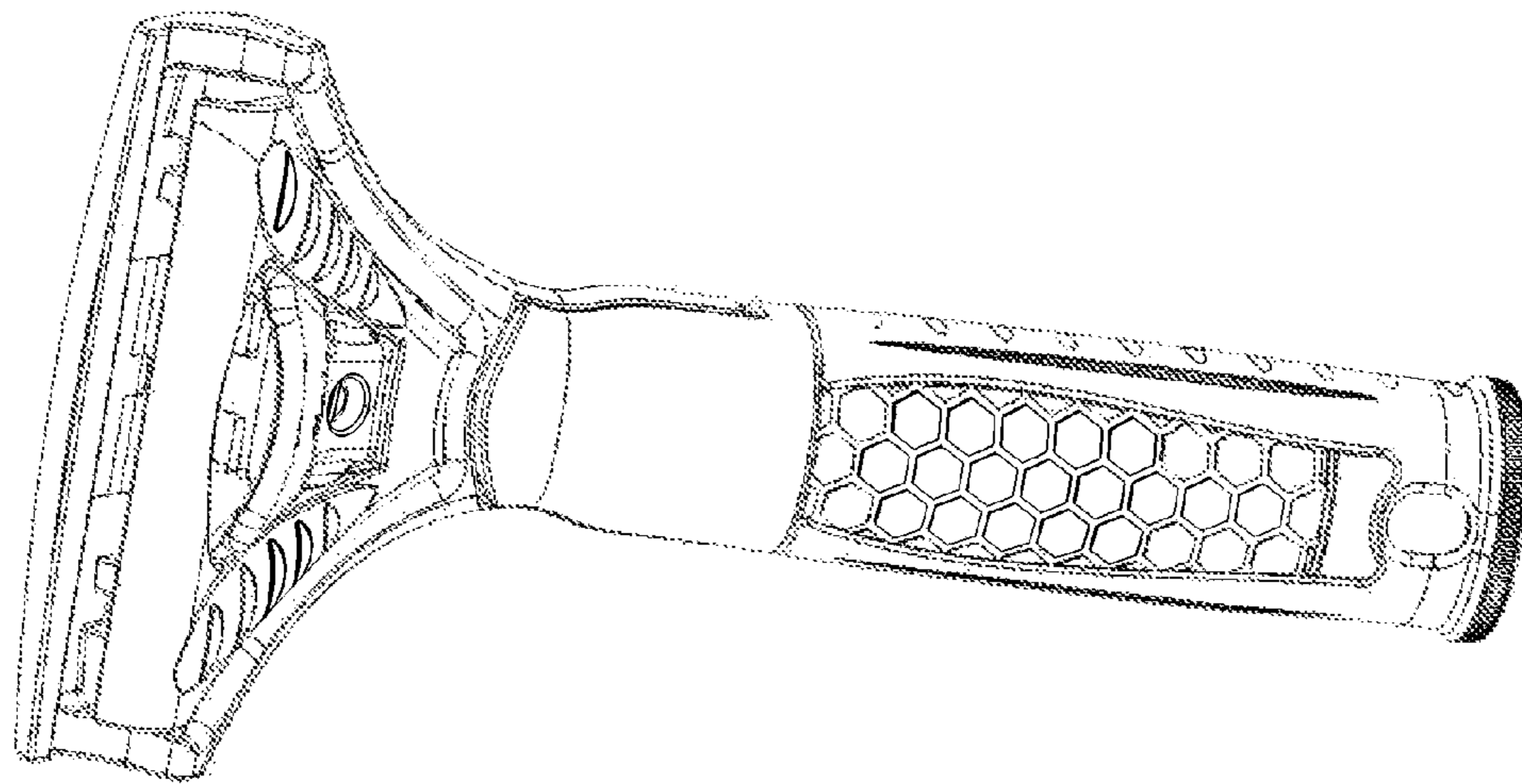


FIG. 2

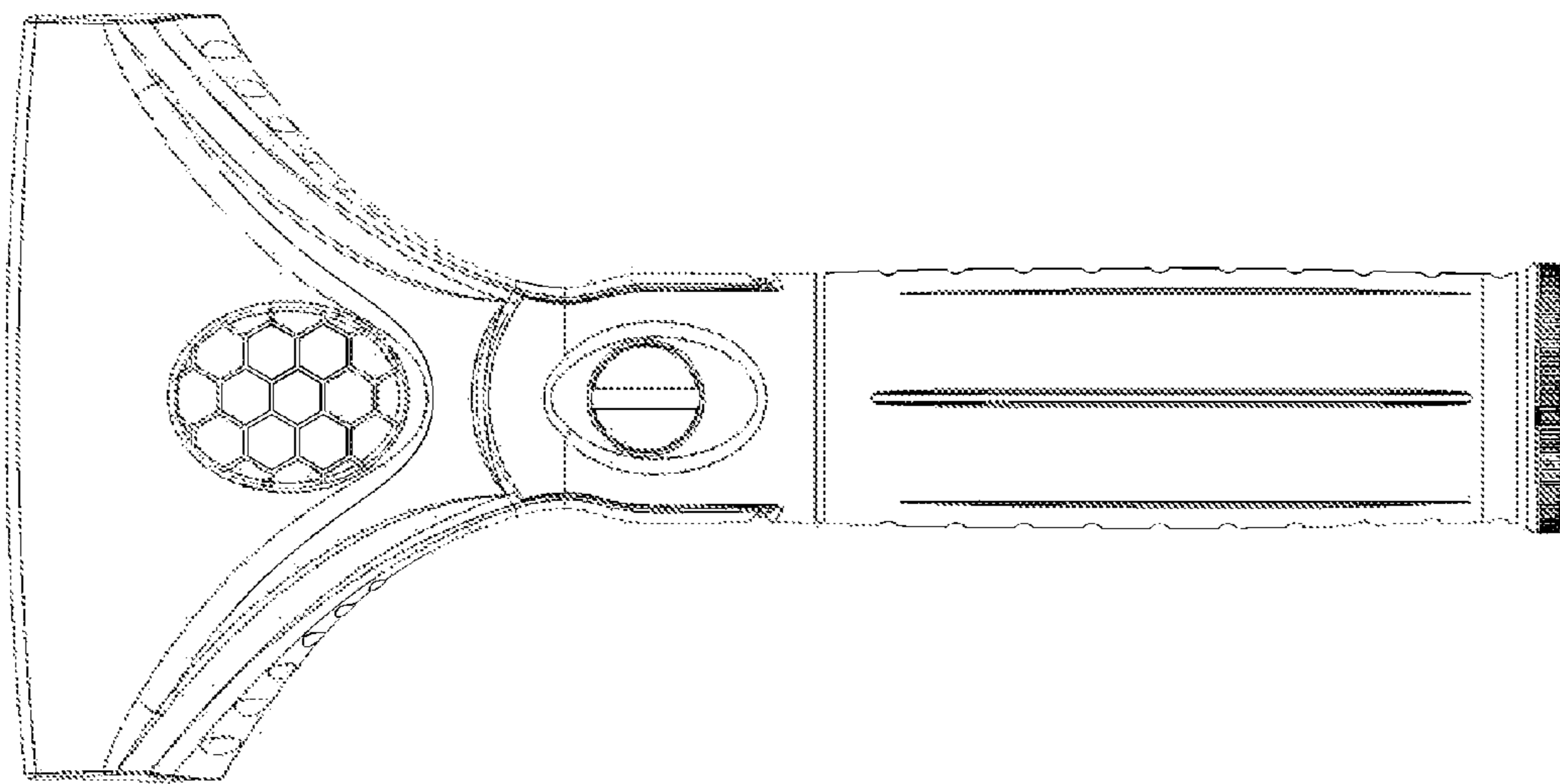
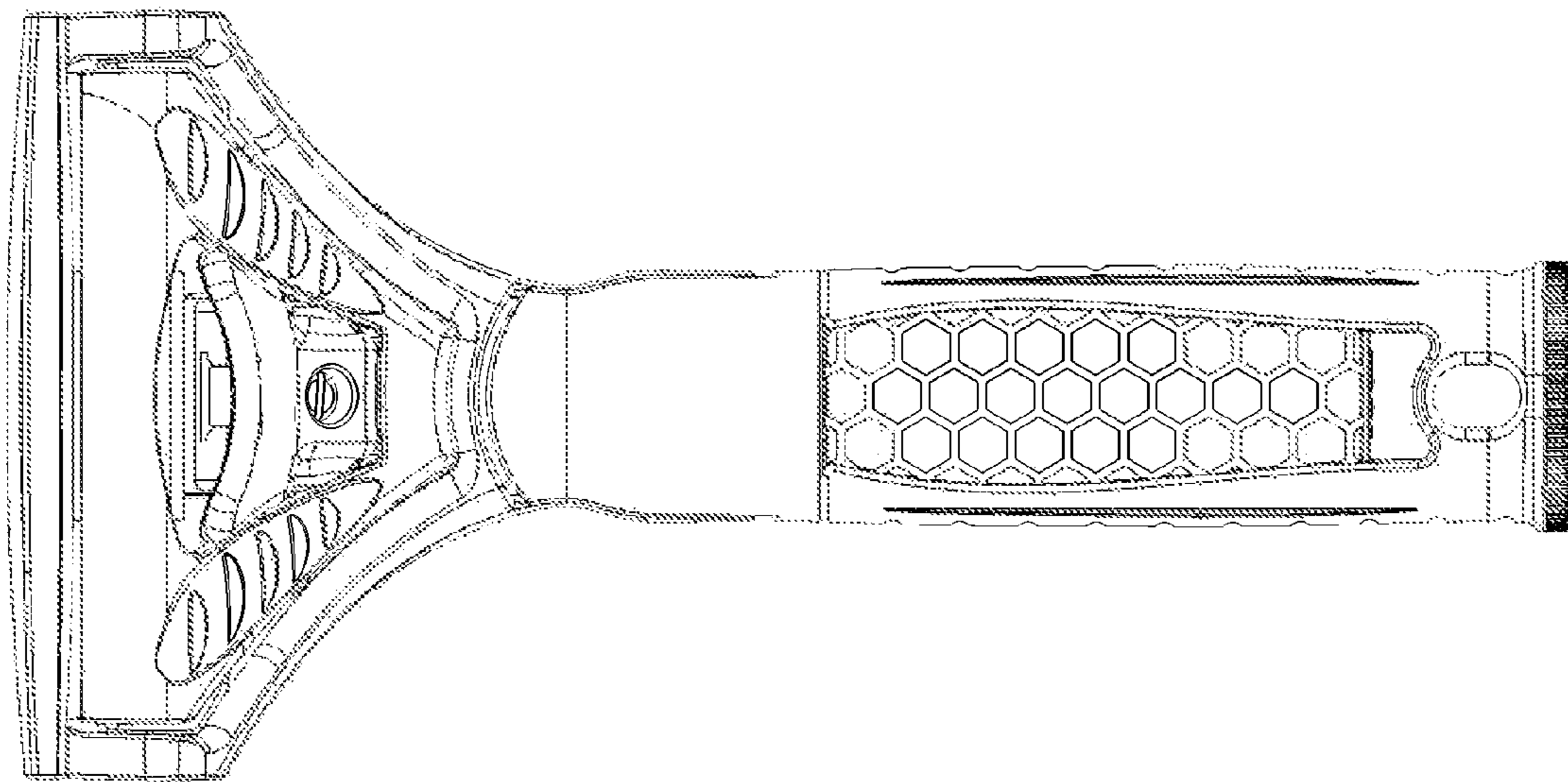


FIG. 3



**FIG. 4**

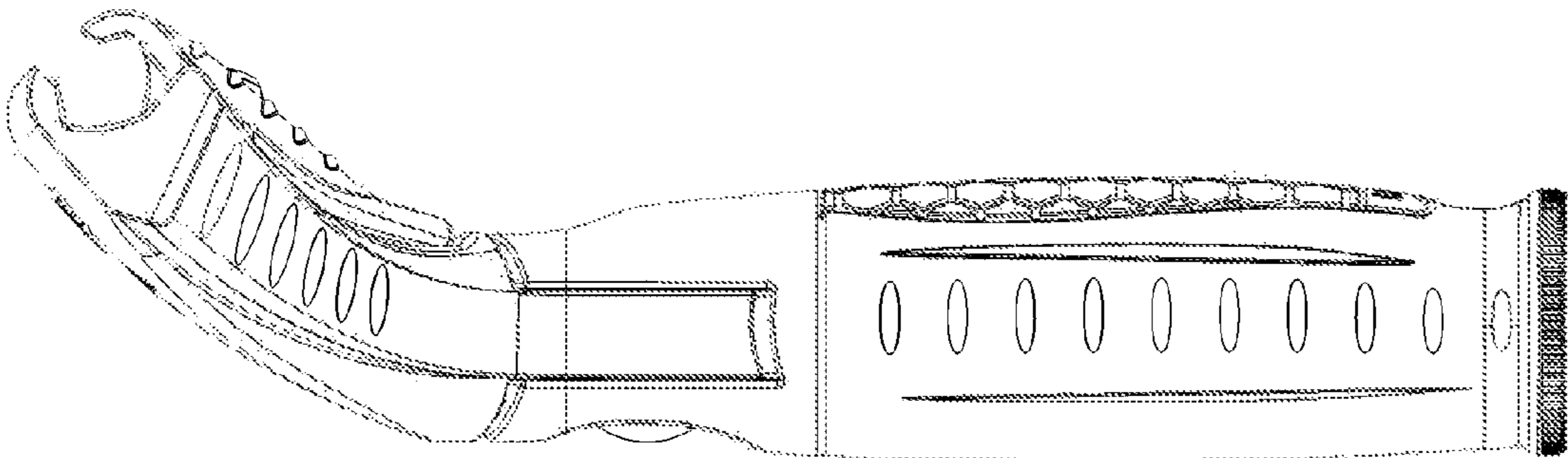
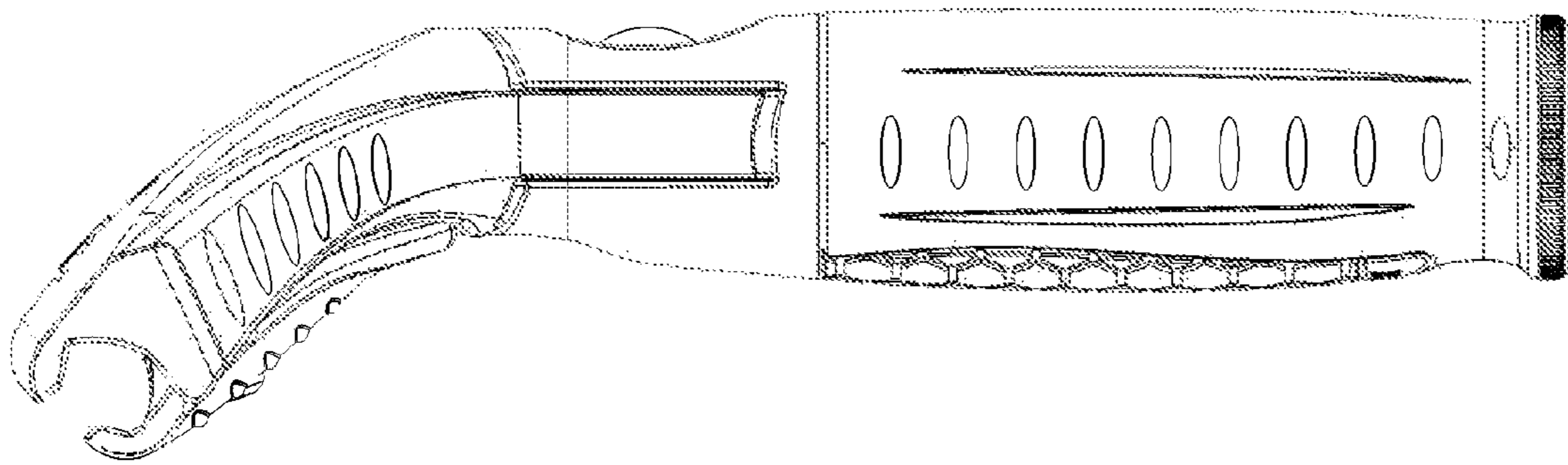


FIG. 5



**FIG. 6**

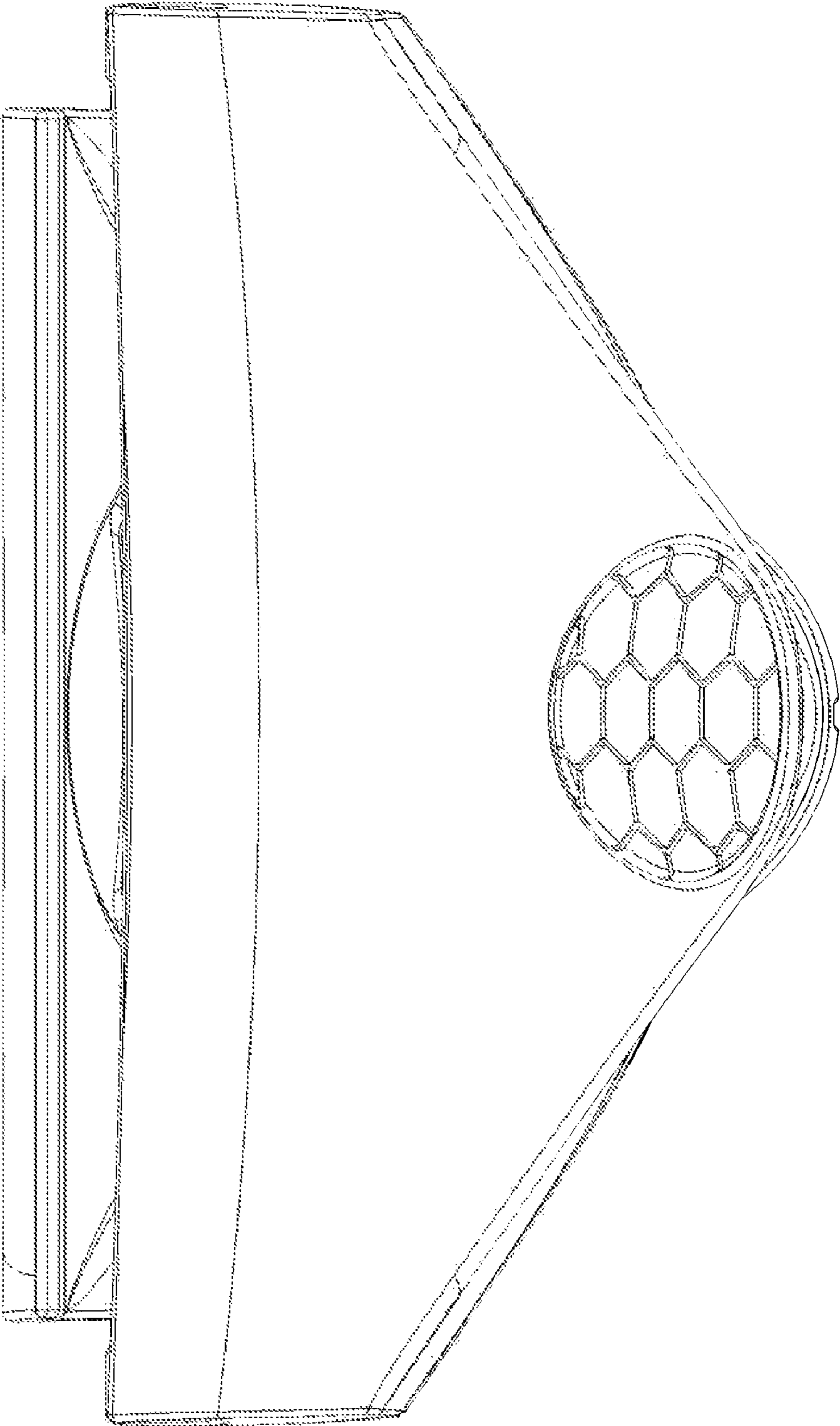


FIG. 7



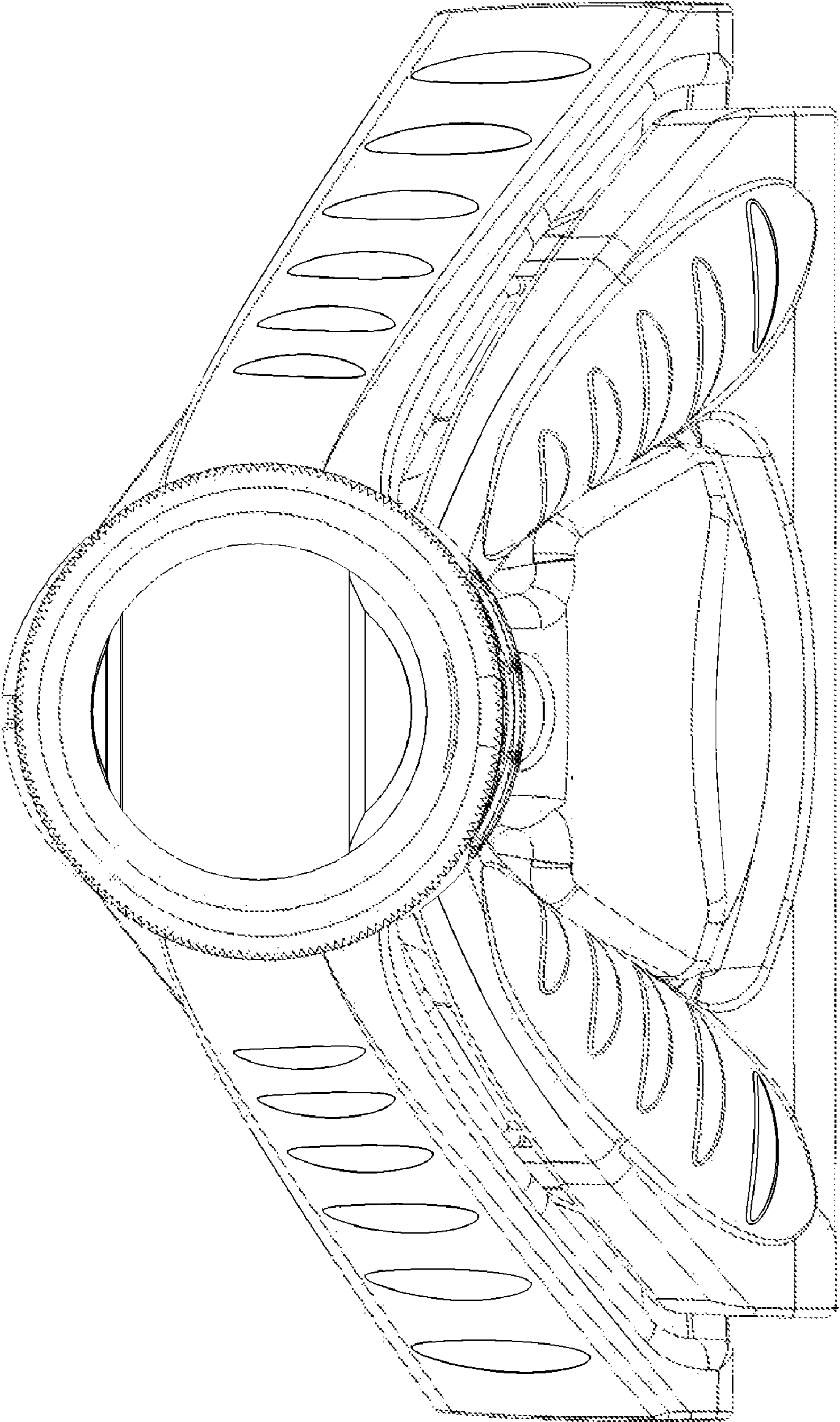


FIG. 8

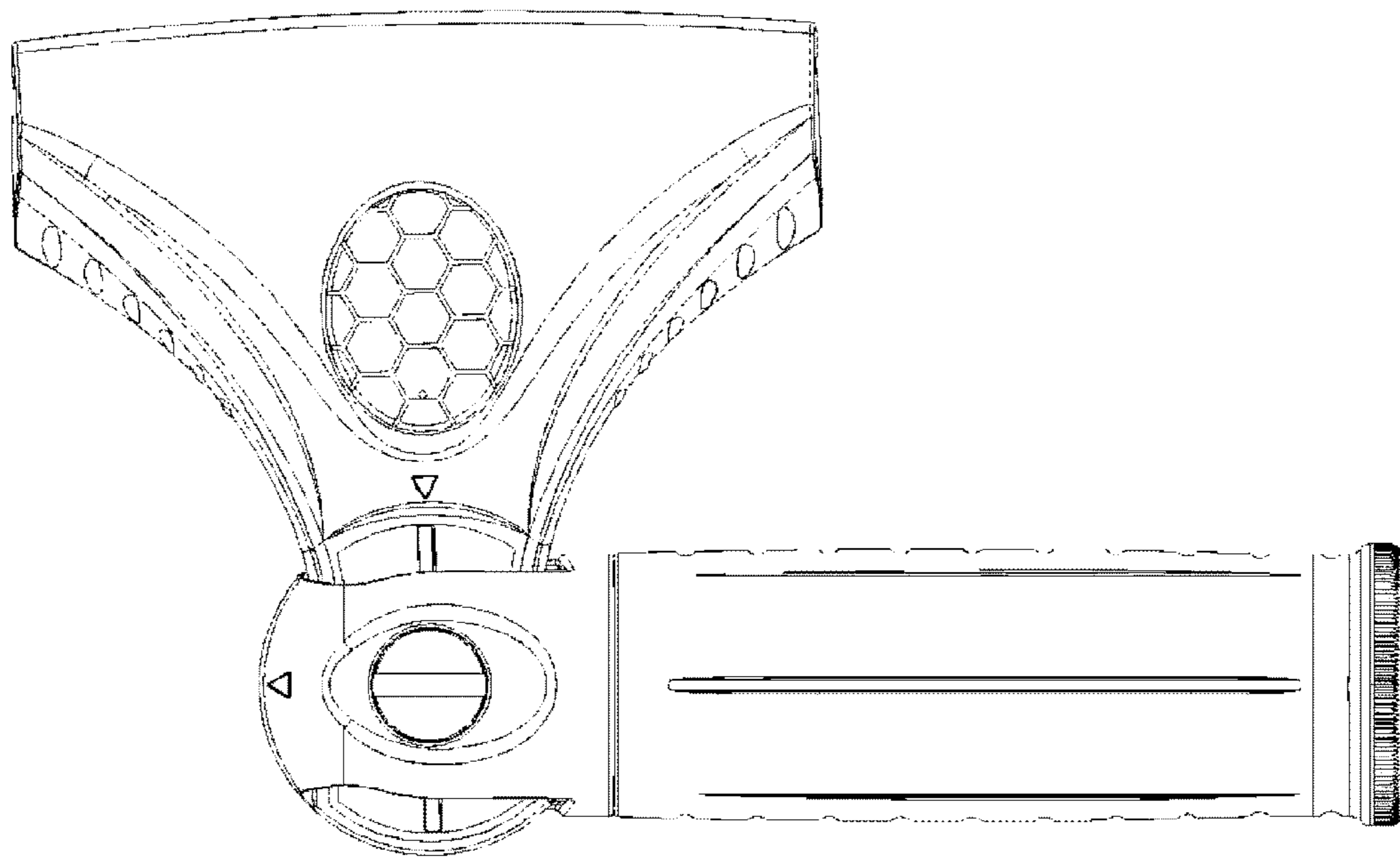


FIG. 9

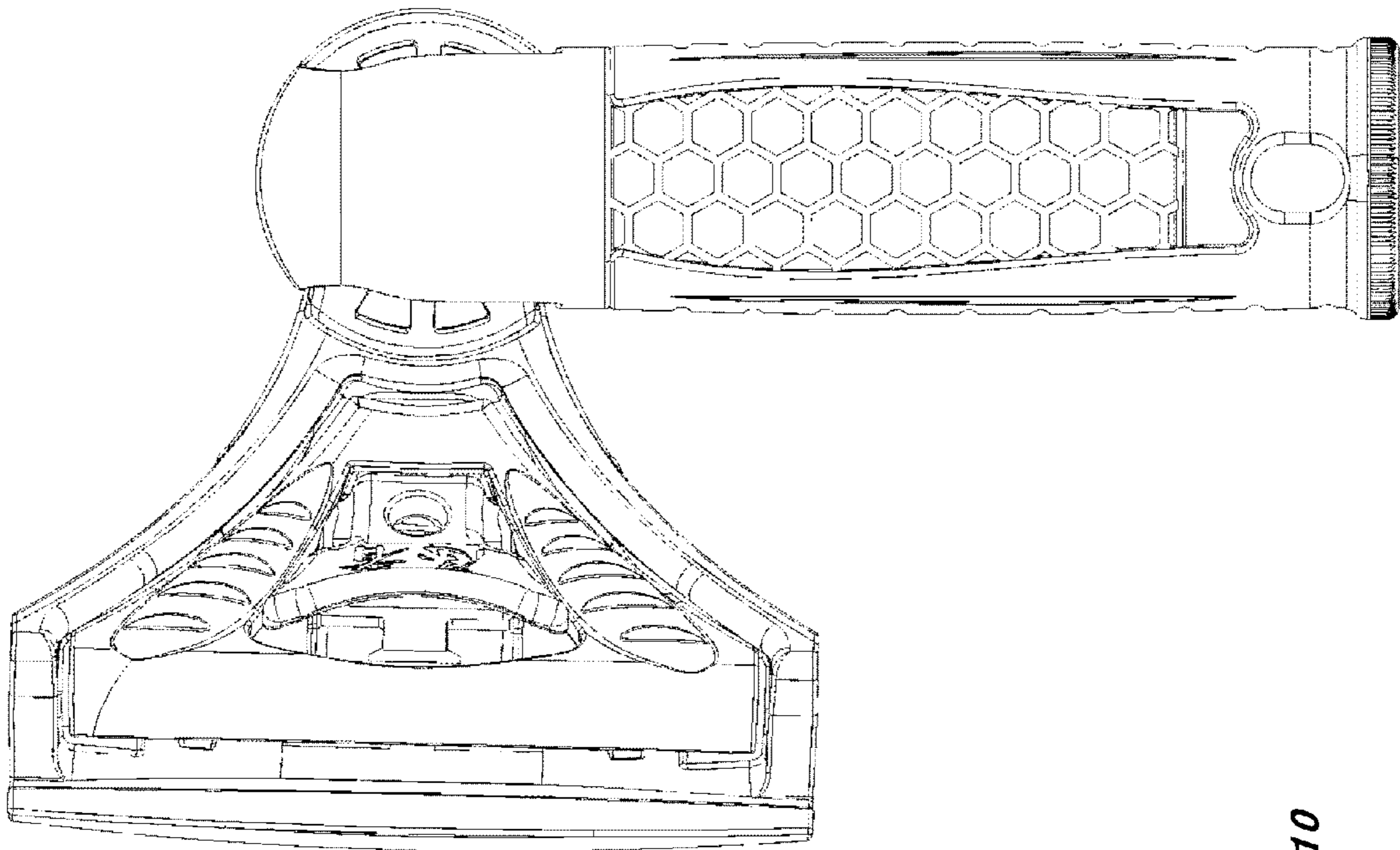


FIG. 10