



US00D649313S

(12) **United States Design Patent**
Ediger et al.

(10) **Patent No.:** **US D649,313 S**

(45) **Date of Patent:** **** Nov. 22, 2011**

(54) **STEAM SCRUBBER**

(75) Inventors: **Glen W. Ediger**, North Newton, KS (US); **Gary P. Israel**, Andover, KS (US)

(73) Assignee: **Vornado Air, LLC**, Andover, KS (US)

(**) Term: **14 Years**

(21) Appl. No.: **29/381,470**

(22) Filed: **Dec. 20, 2010**

(51) **LOC (9) Cl.** **04-01**

(52) **U.S. Cl.** **D32/41**

(58) **Field of Classification Search** D32/40-42;
15/244.1-244.4, 208, 209.1, 245, 245.1,
15/121

See application file for complete search history.

(56) **References Cited**

U.S. PATENT DOCUMENTS

3,724,017 A * 4/1973 Mallory 15/121
5,363,528 A * 11/1994 Brock 15/121
D515,262 S * 2/2006 Hay D32/41

7,155,771 B2 * 1/2007 Re 15/121
* cited by examiner

Primary Examiner — Robin V Webster

(74) *Attorney, Agent, or Firm* — Advent IP, P.C., L.L.O.

(57) **CLAIM**

The ornamental design for a steam scrubber, as shown and described.

DESCRIPTION

FIG. 1 front perspective view of the steam scrubber showing our new design;

FIG. 2 is a rear perspective view of the steam scrubber of FIG. 1;

FIG. 3 is a right elevation view of the steam scrubber of FIG. 1;

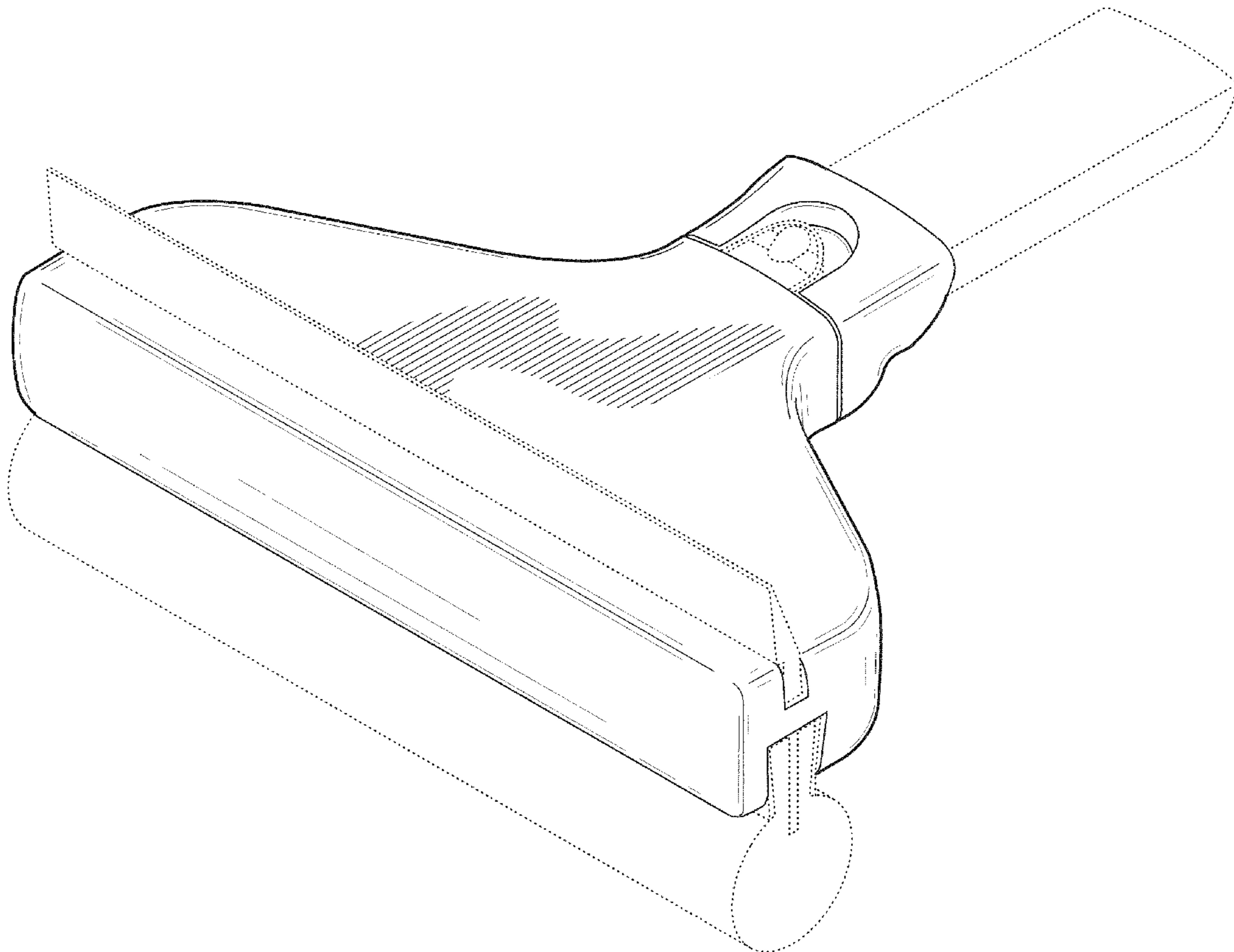
FIG. 4 is a top elevation view of the steam scrubber of FIG. 1;

FIG. 5 is a bottom elevation view of the steam scrubber of FIG. 1;

FIG. 6 is a front plan view of the steam scrubber of FIG. 1; and,

FIG. 7 is a rear plan view of the steam scrubber of FIG. 1. The broken line showing is included for the purpose of illustrating and forms no part of the claimed design.

1 Claim, 7 Drawing Sheets



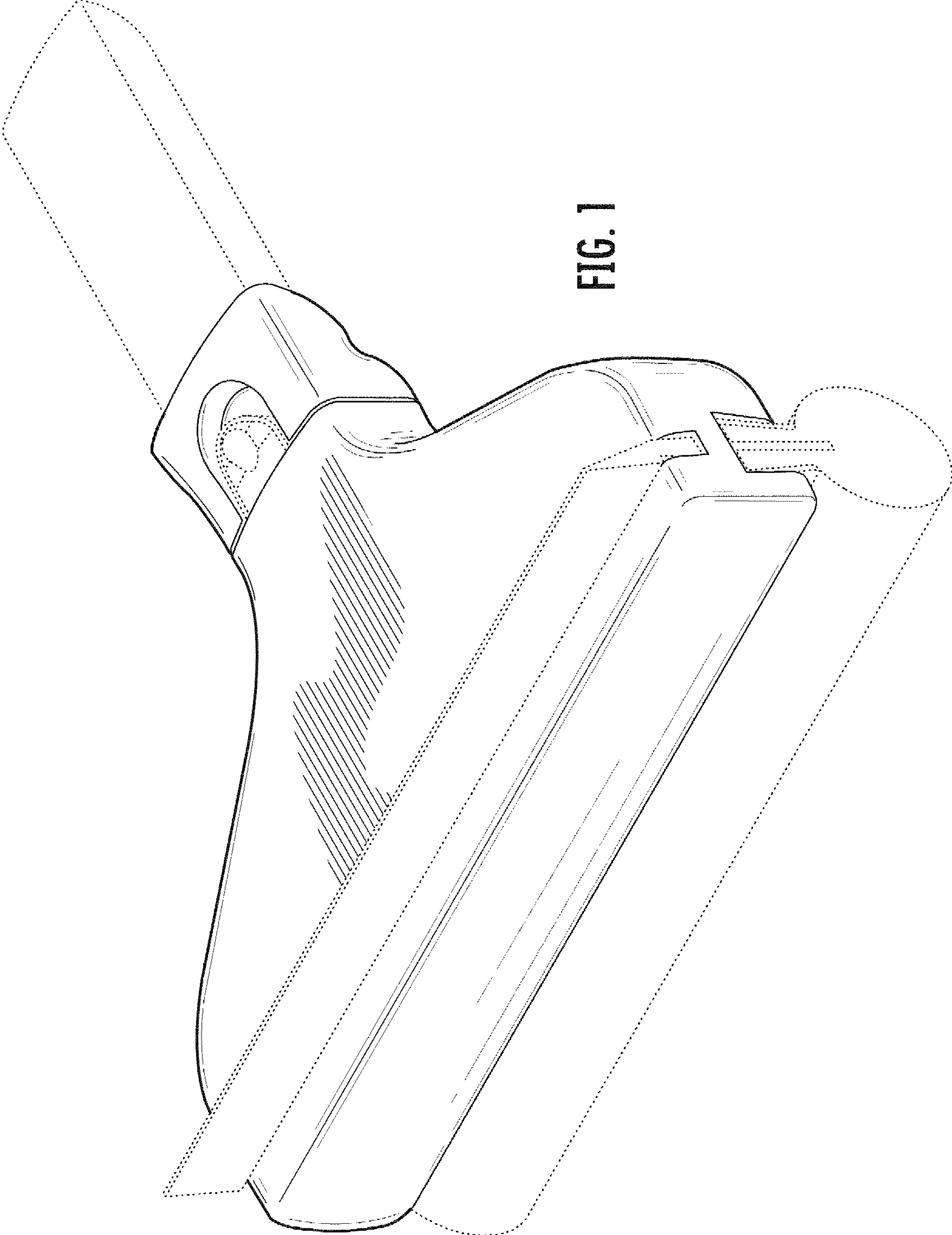


FIG. 1

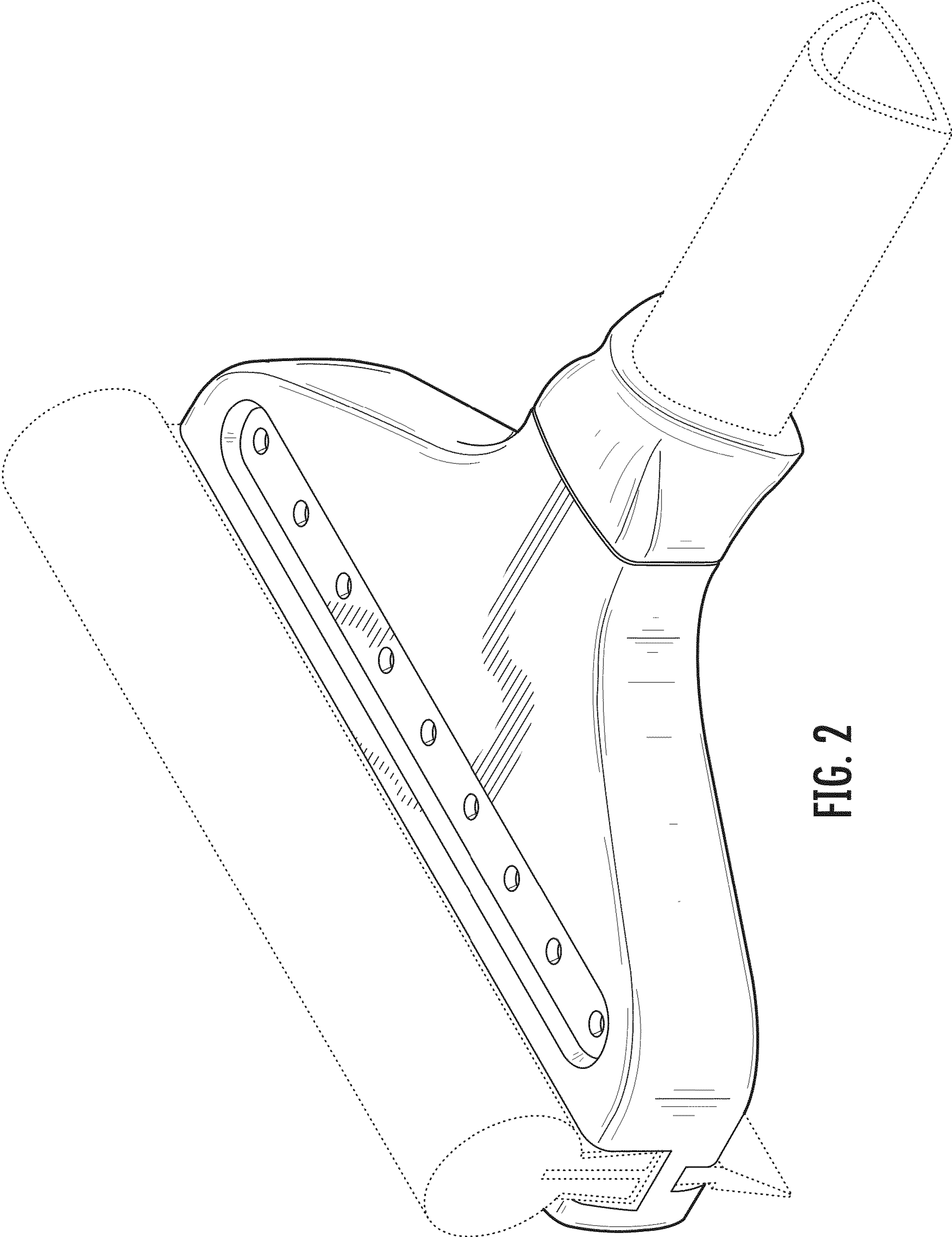


FIG. 2

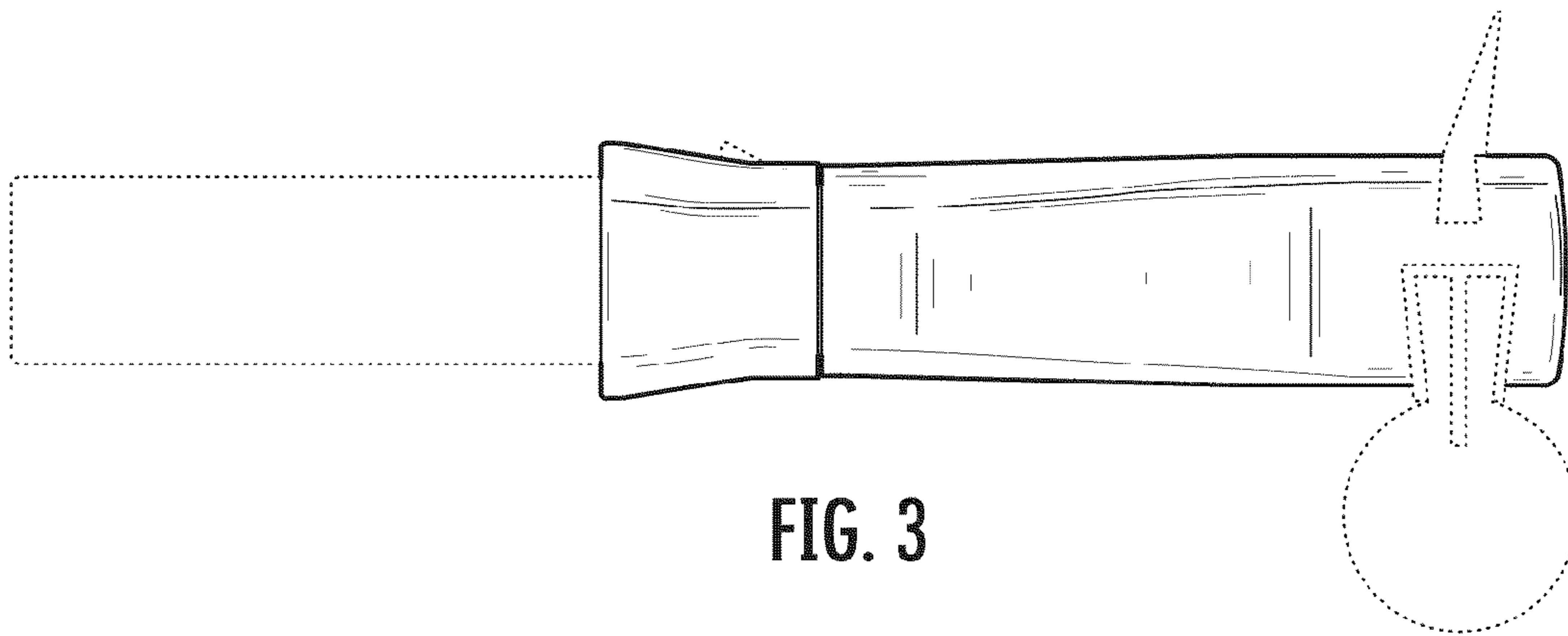


FIG. 3

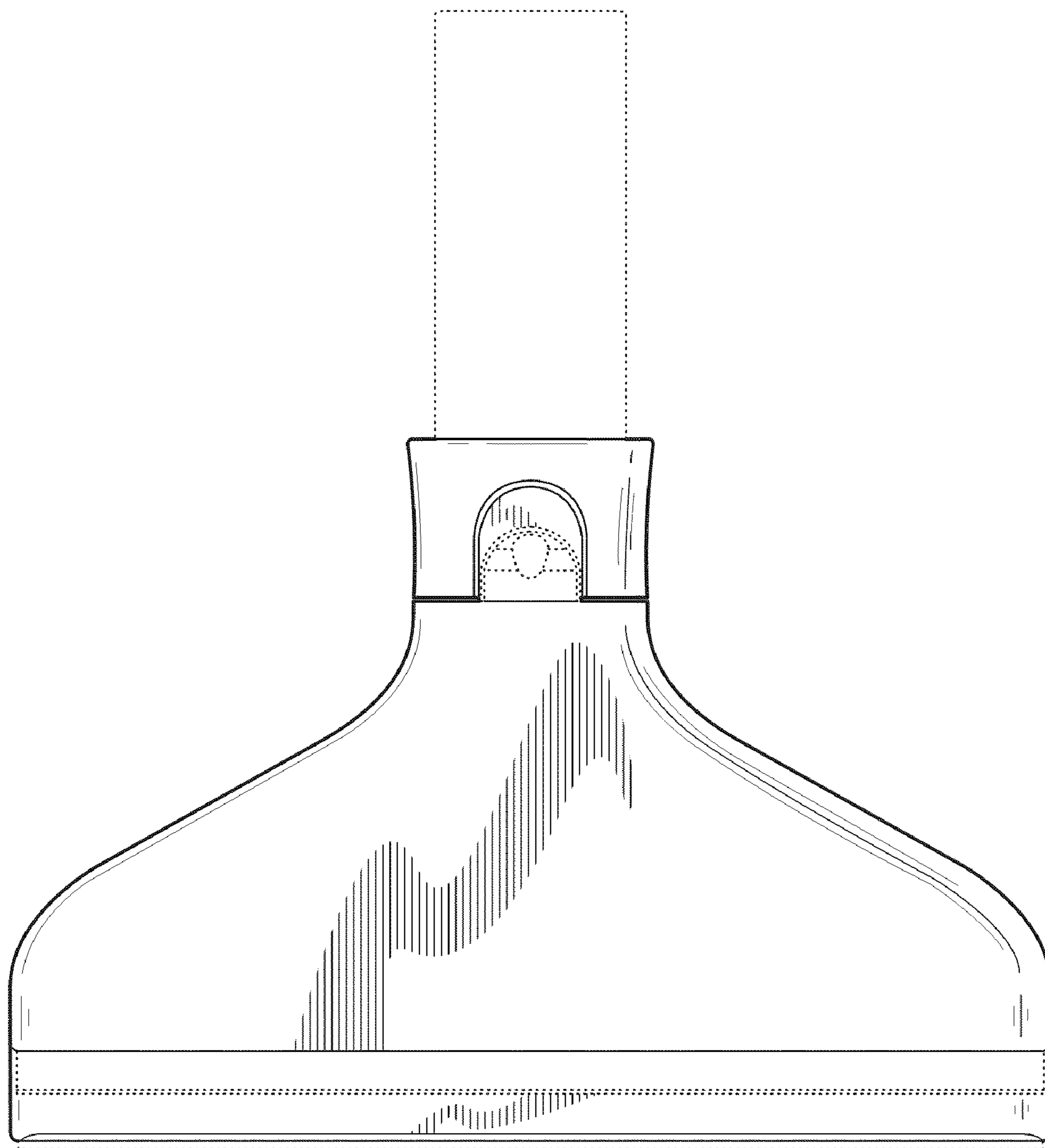


FIG. 4

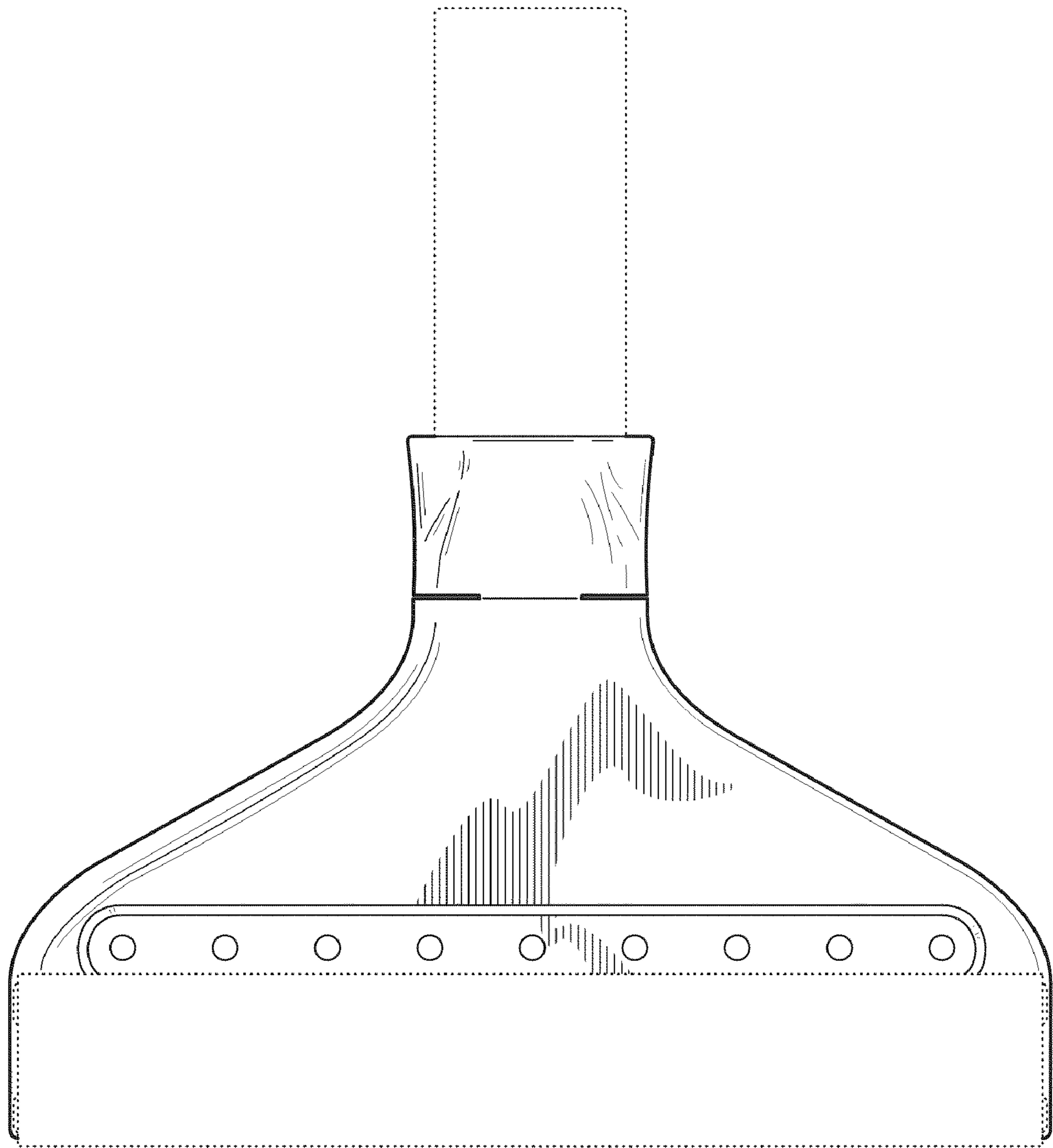


FIG. 5

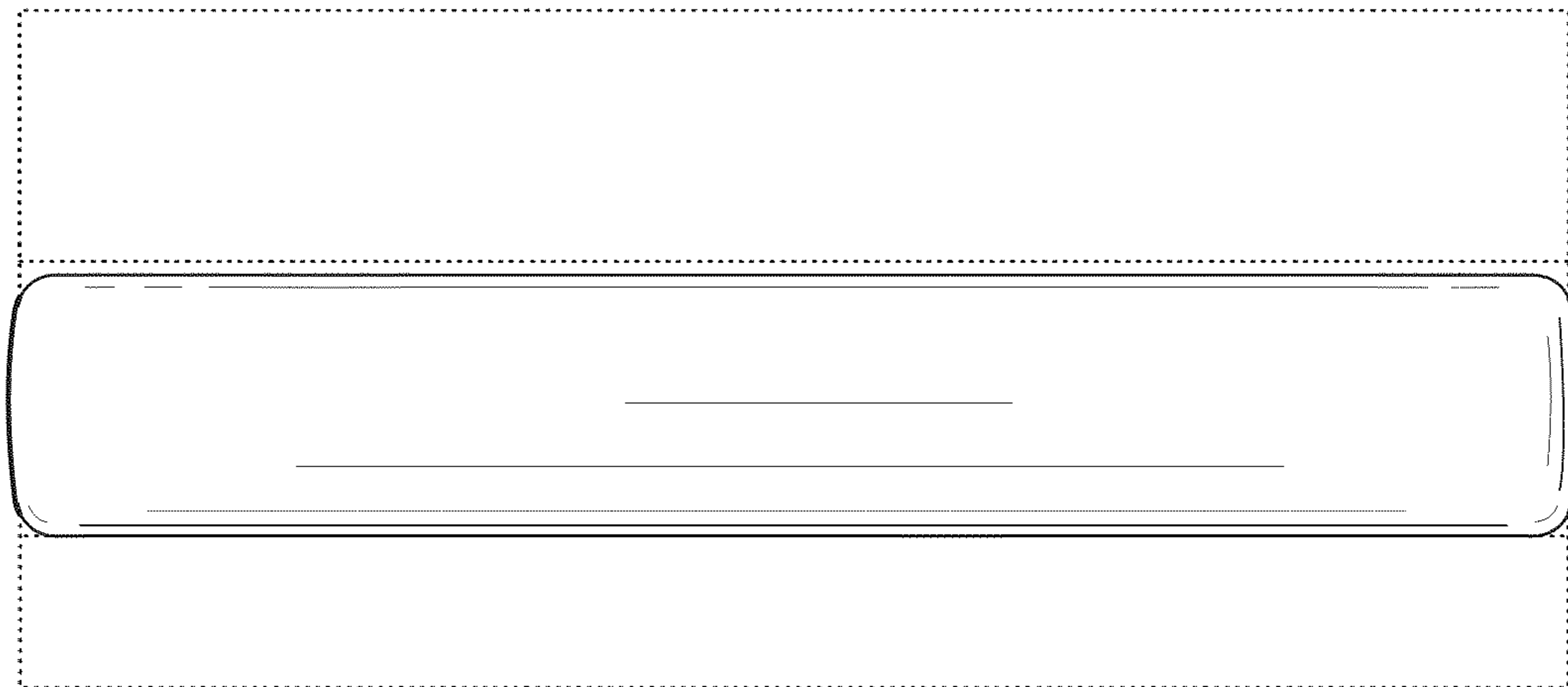


FIG. 6

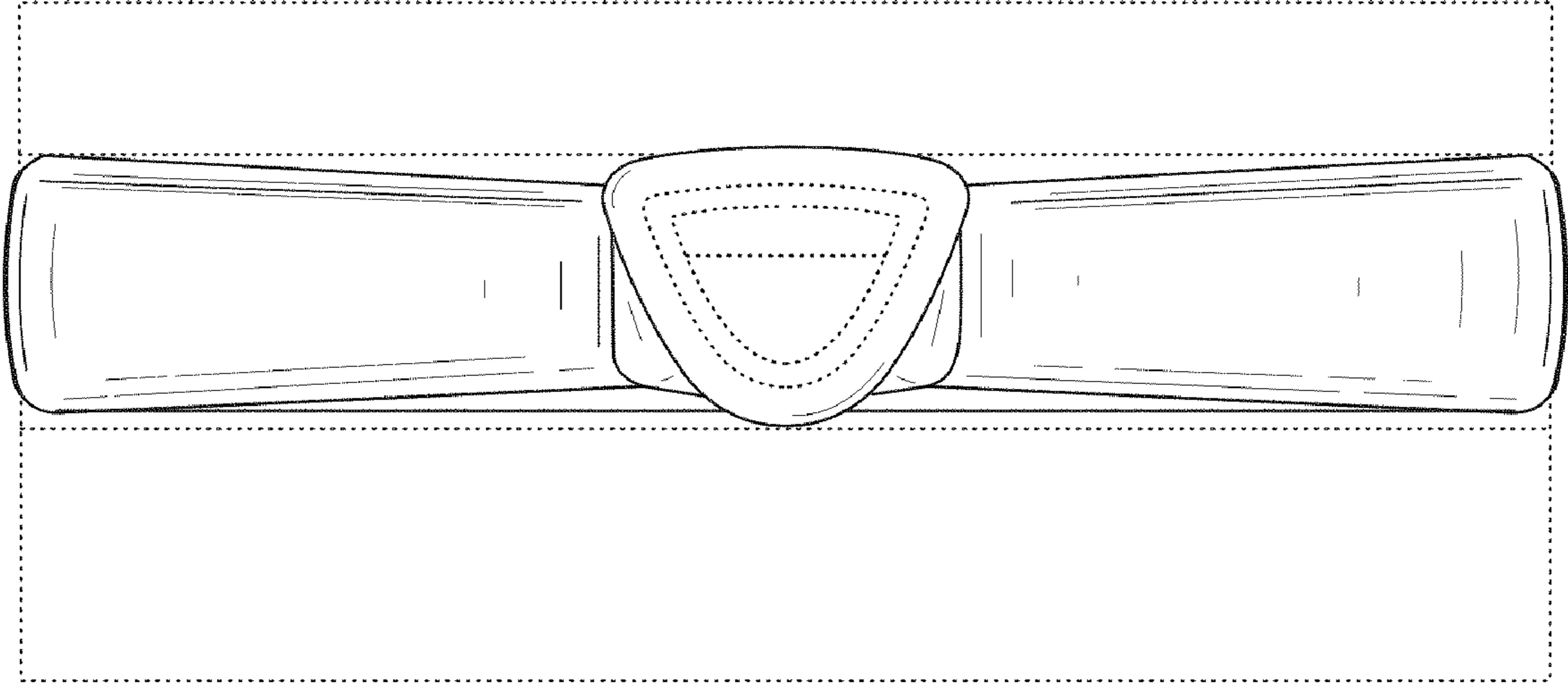


FIG. 7