



US00D649312S

(12) **United States Design Patent**
Adams et al.

(10) **Patent No.:** **US D649,312 S**
(45) **Date of Patent:** **** Nov. 22, 2011**

- (54) **MOP PAD**
- (75) Inventors: **Paul Adams**, Monroe, CT (US); **David Quinlan**, Plantsville, CT (US)
- (73) Assignee: **Unger Marketing International, LLC**, Bridgeport, CT (US)
- (**) Term: **14 Years**
- (21) Appl. No.: **29/385,487**
- (22) Filed: **Feb. 15, 2011**

Related U.S. Application Data

- (62) Division of application No. 29/310,337, filed on Aug. 8, 2008, now Pat. No. Des. 634,905.
- (51) **LOC (9) Cl.** **04-01**
- (52) **U.S. Cl.** **D32/40**
- (58) **Field of Classification Search** D23/40-42; D5/58-60; 15/244.1-244.4, 208, 209.1, 15/228, 229.3
See application file for complete search history.

(56) **References Cited**

U.S. PATENT DOCUMENTS

3,015,834	A	1/1962	Marrinson	
4,888,229	A	12/1989	Paley et al.	
5,419,015	A	5/1995	Garcia	
D379,698	S	6/1997	Freudenberg	
5,804,274	A	9/1998	Nordin	
5,887,311	A	3/1999	Kresse et al.	
D409,343	S	5/1999	Kingry et al.	D32/50
5,960,506	A	10/1999	Reuven	
5,960,508	A	10/1999	Holt et al.	15/228
6,003,191	A	12/1999	Sherry et al.	
D423,742	S	4/2000	Kingry et al.	D32/40
6,048,123	A	4/2000	Holt et al.	401/138
6,101,661	A	8/2000	Policicchio et al.	15/228

D438,355	S	2/2001	Tintelnot	
D445,227	S	7/2001	Tintelnot	
6,258,455	B1	7/2001	Clarke	
6,305,046	B1	10/2001	Kingry et al.	15/231
D462,150	S	8/2002	Rader et al.	
6,484,346	B2	11/2002	Kingry et al.	15/231
6,513,184	B1	2/2003	Brown et al.	
6,550,092	B1	4/2003	Brown et al.	
6,561,354	B1	5/2003	Fereshtekhhou et al.	206/459.5
6,601,261	B1	8/2003	Holt et al.	15/228
6,645,604	B1	11/2003	Fereshtekhhou et al.	428/172
6,651,290	B2	11/2003	Kingry et al.	15/231
6,687,941	B2	2/2004	Billat	
6,694,563	B2	2/2004	Onwugbonu	
D489,537	S	5/2004	Wong et al.	D5/53
6,797,357	B2	9/2004	Fereshtekhhou et al.	
D499,887	S	12/2004	Wong et al.	D5/53
6,936,330	B2	8/2005	Fereshtekhhou et al.	
7,028,364	B2	4/2006	Policicchio et al.	
7,132,377	B2	11/2006	Borgonjon et al.	

(Continued)

FOREIGN PATENT DOCUMENTS

WO WO 94/23635 10/1994

Primary Examiner — Robin V Webster

(74) *Attorney, Agent, or Firm* — Ohlandt, Greeley, Ruggiero & Perle, L.L.P

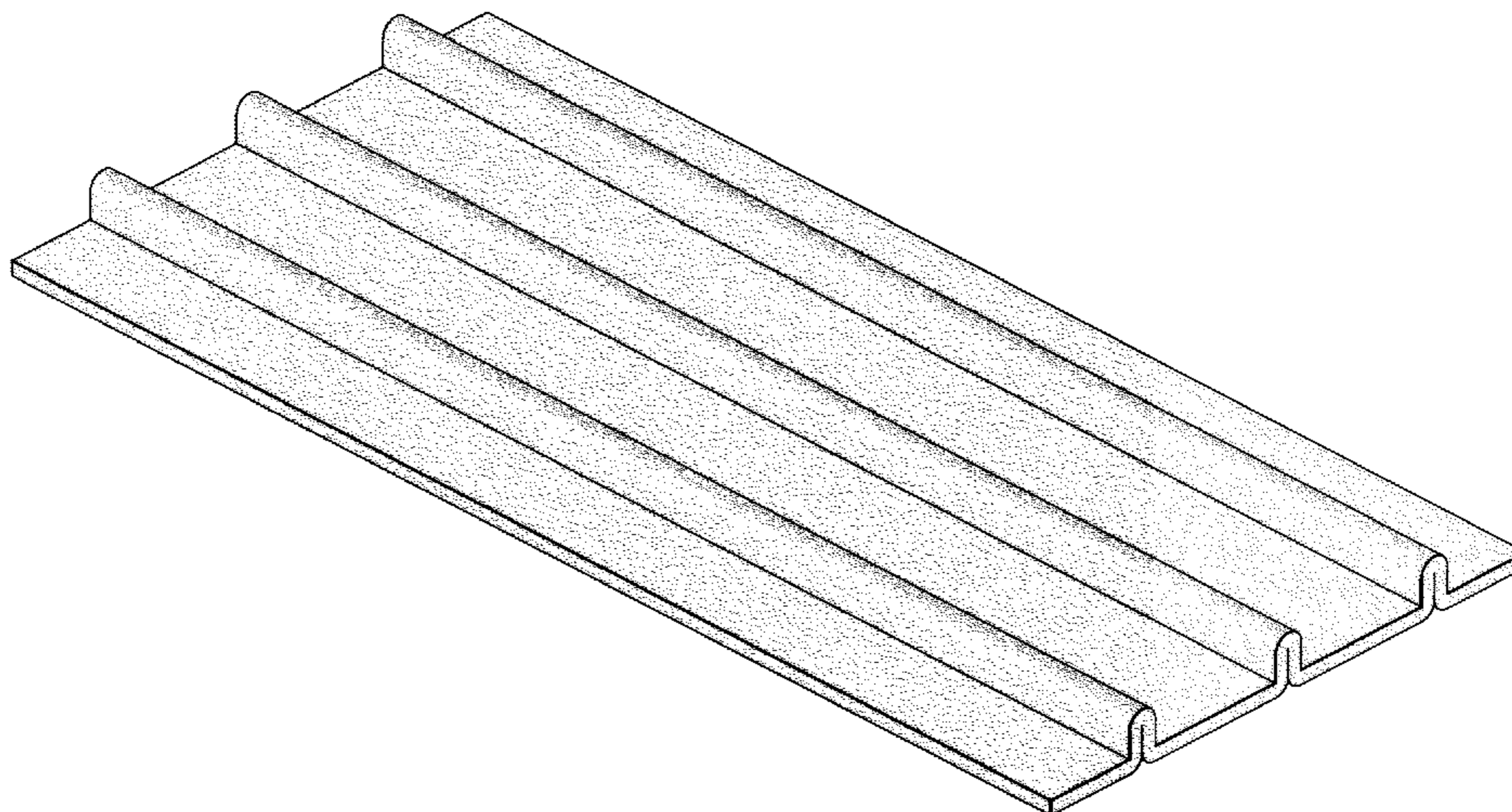
(57) **CLAIM**

The ornamental design for the mop pad, as shown and described.

DESCRIPTION

FIG. 1 is a bottom perspective view of a mop pad according to an exemplary embodiment of the present disclosure; FIG. 2 is a top perspective view of the mop pad FIG. 1; FIG. 3 is a bottom side perspective view of the mop pad FIG. 1; and, FIG. 4 is a top side perspective view of the mop pad FIG. 1.

1 Claim, 4 Drawing Sheets



US D649,312 S

Page 2

U.S. PATENT DOCUMENTS			
7,191,486	B1	3/2007	Michelson et al. 15/228
7,237,295	B2 *	7/2007	Lindholm 15/147.2
D604,469	S	11/2009	Rolstad
D609,420	S	2/2010	Lafortezza
D618,410	S	6/2010	Libman et al.
D634,905	S *	3/2011	Adams et al. D32/40
2001/0049017	A1	12/2001	Clarke
2002/0065012	A1	5/2002	Takabayashi
2004/0074520	A1	4/2004	Truong et al.
2004/0159331	A1	8/2004	Katsin
2004/0163674	A1	8/2004	Policicchio
2005/0060829	A1	3/2005	Silvers et al.
2005/0241094	A1	11/2005	Olsen
2005/0241095	A1	11/2005	Olsen
2006/0123573	A1	6/2006	Rivera et al.
2006/0183392	A1	8/2006	Silvers et al.
2006/0200933	A1	9/2006	McDonnell
2007/0061987	A1	3/2007	Kresse et al.
2007/0141299	A1	6/2007	Hong
2007/0151064	A1	7/2007	O'Connor et al.
2007/0256261	A1	11/2007	Benitez et al.
2007/0256266	A1	11/2007	Michelson et al. 15/228
2008/0047089	A1	2/2008	Sadovsky
2008/0083080	A1	4/2008	Shen et al.

* cited by examiner

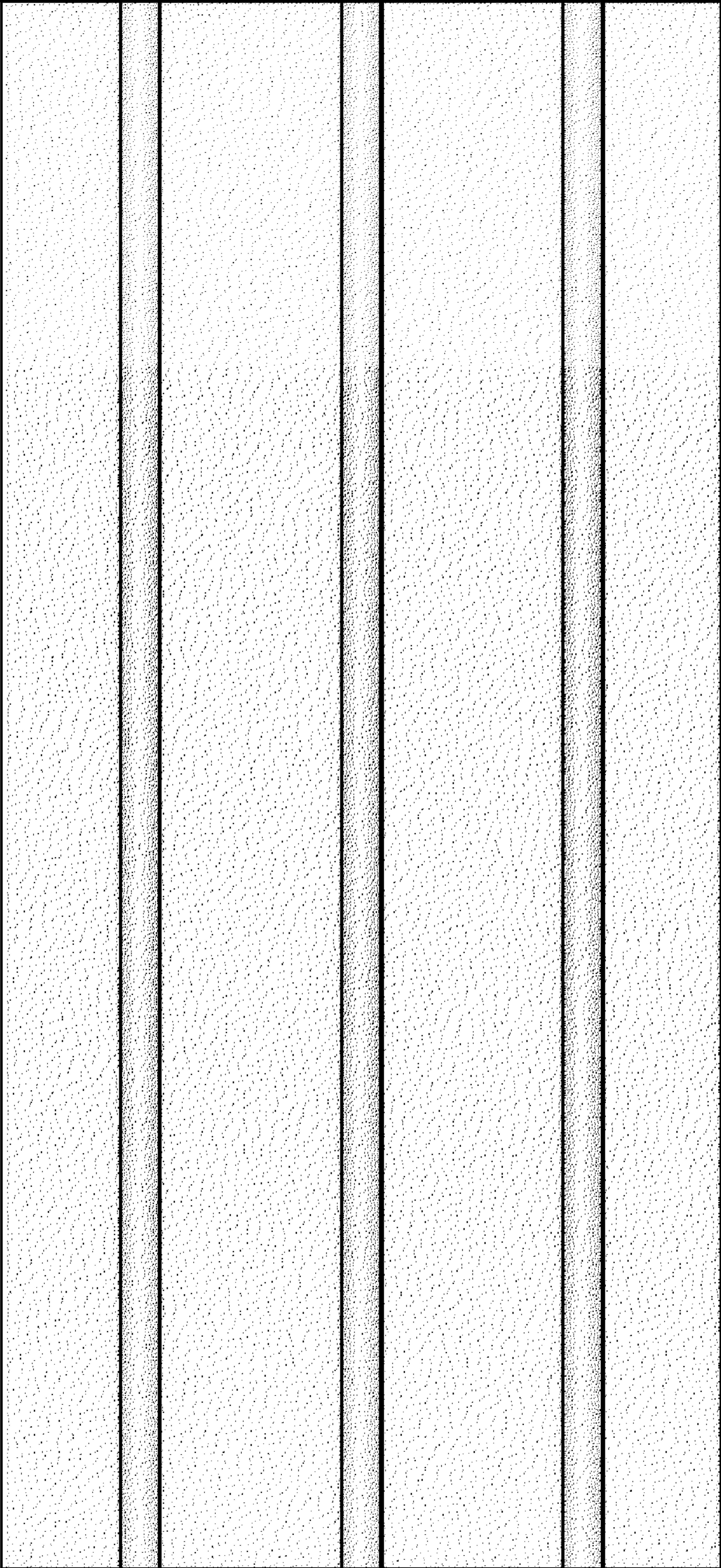


FIG. 1

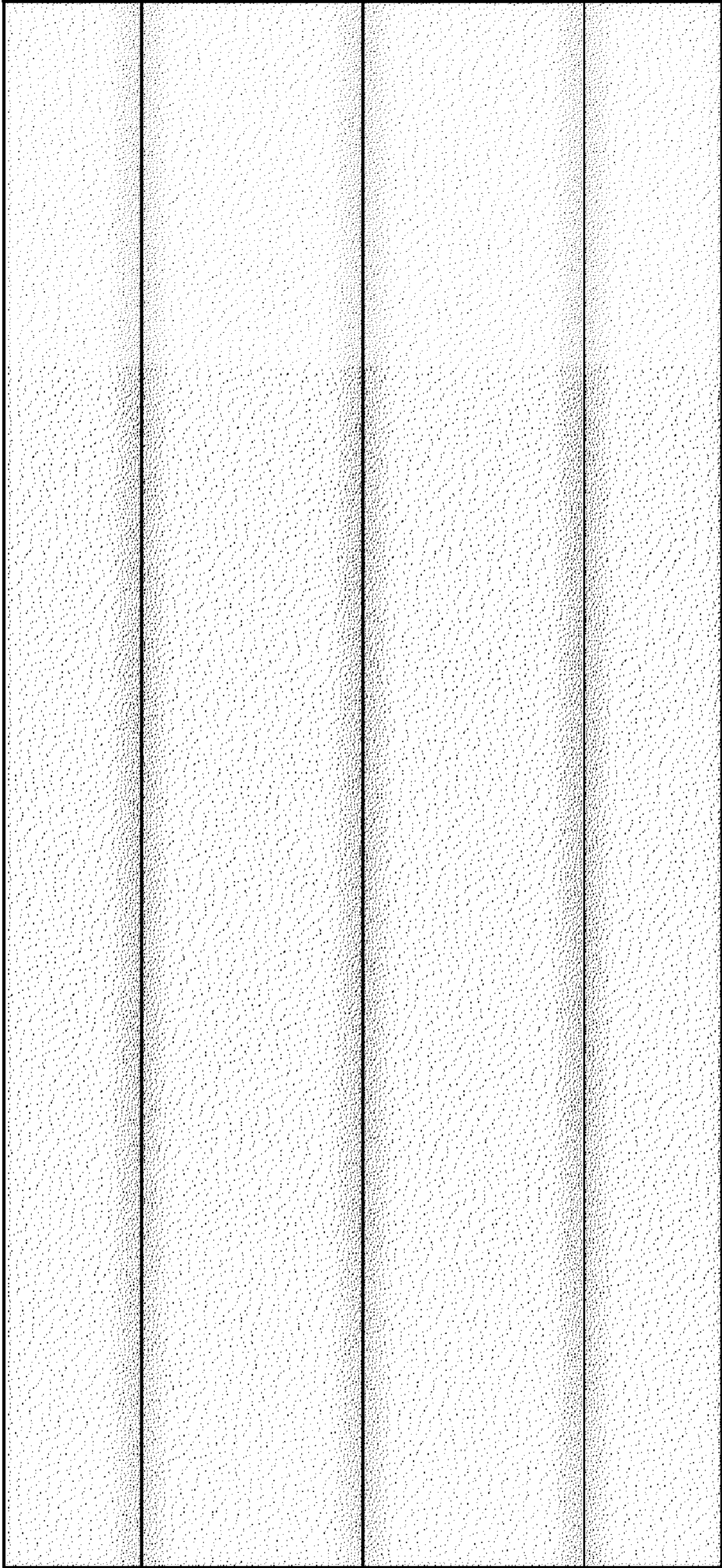


FIG. 2

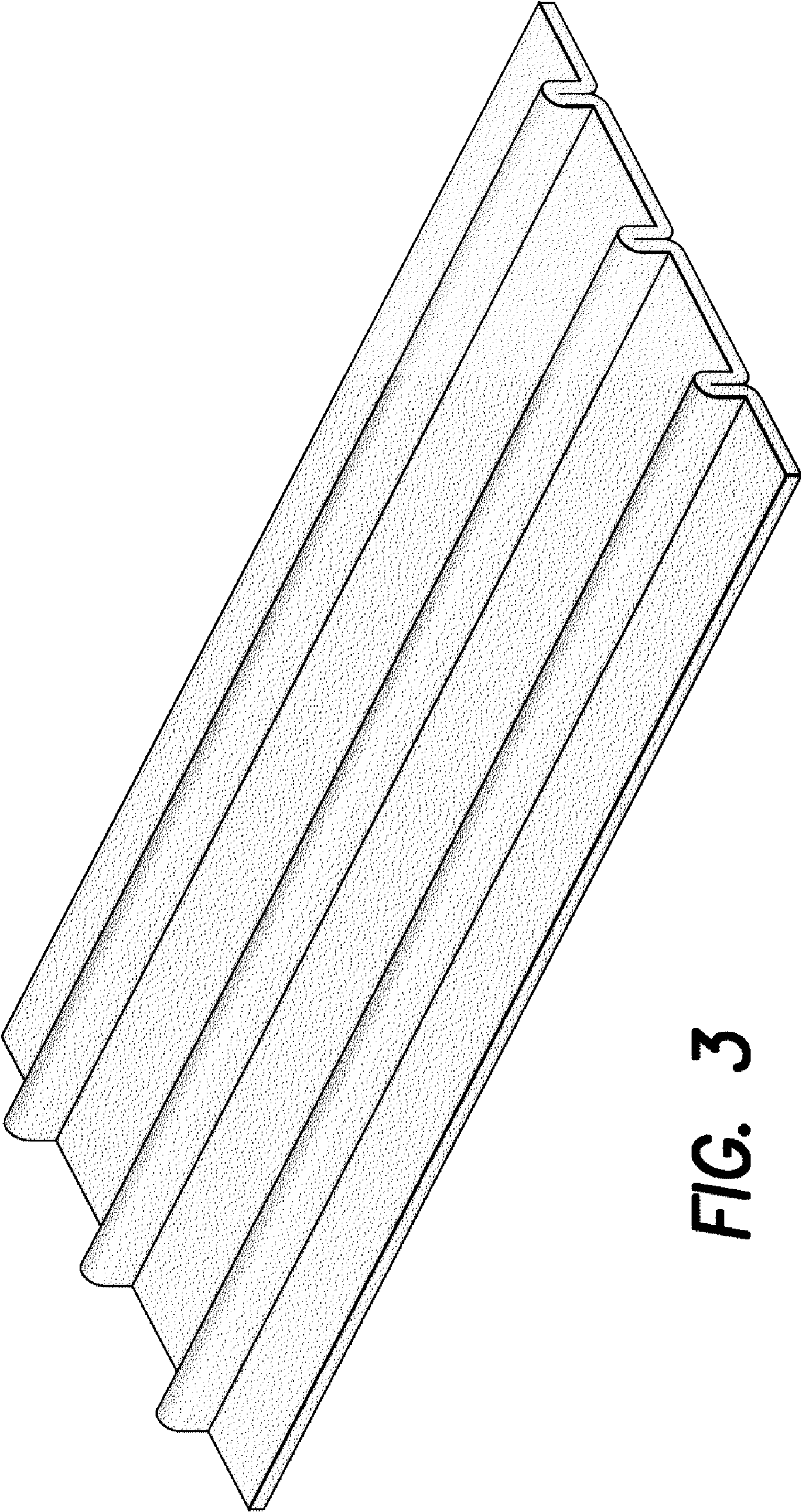


FIG. 3

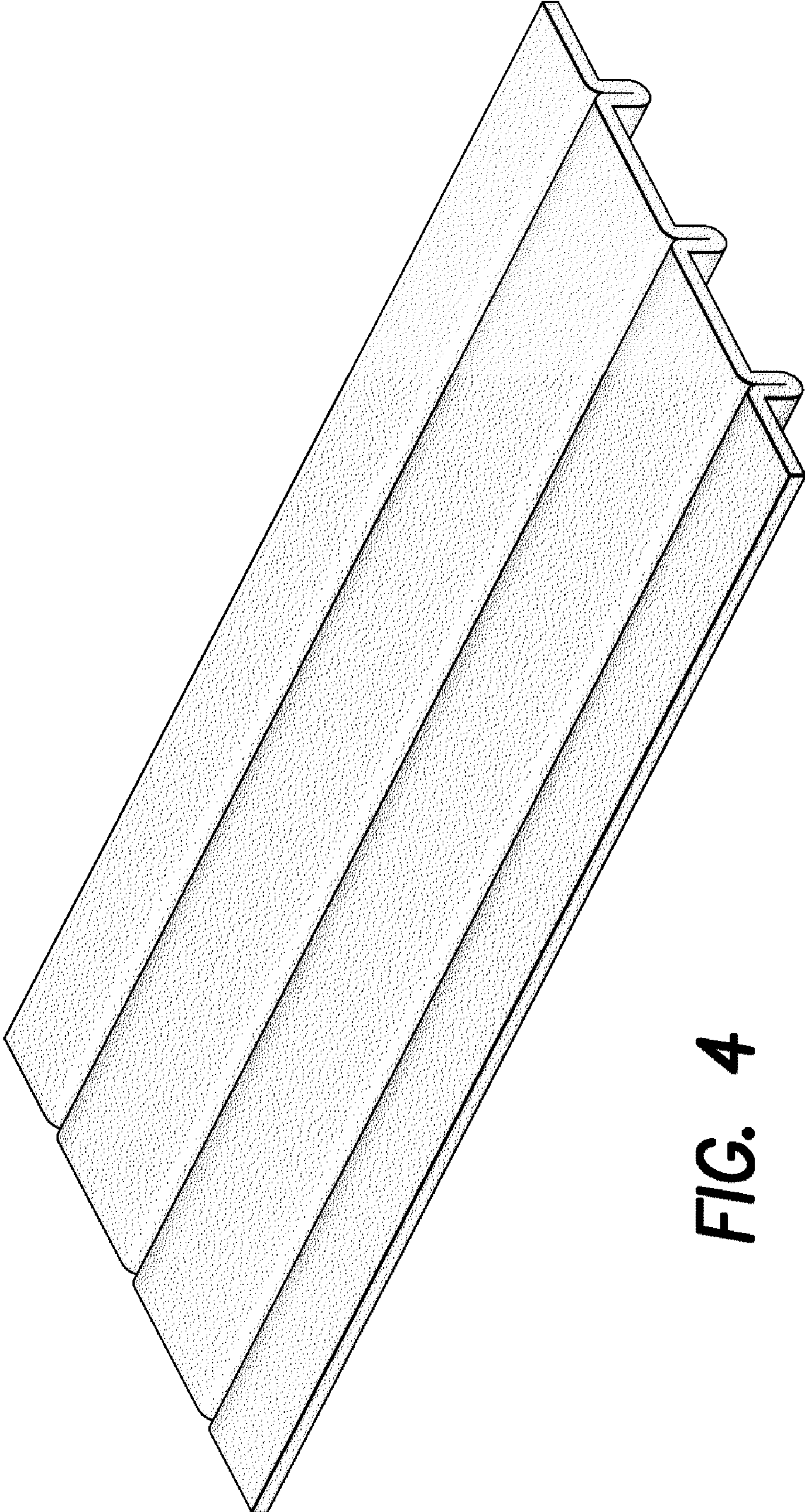


FIG. 4