



US00D649311S

(12) **United States Design Patent**  
**Colangelo**

(10) **Patent No.:** **US D649,311 S**

(45) **Date of Patent:** **\*\* Nov. 22, 2011**

(54) **CLEANING CLOTH**

(76) Inventor: **Joseph Colangelo**, Delray Beach, FL  
(US)

(\*\*) Term: **14 Years**

(21) Appl. No.: **29/384,678**

(22) Filed: **Feb. 2, 2011**

(51) **LOC (9) Cl.** ..... **04-01**

(52) **U.S. Cl.** ..... **D32/40**

(58) **Field of Classification Search** ..... D23/40-42;  
D5/58-60; 15/244.1-244.4, 208, 209.1  
See application file for complete search history.

(56) **References Cited**

U.S. PATENT DOCUMENTS

D50,307 S *	2/1917	Hanson	.....	D5/60
D66,827 S *	3/1925	Binkovitz	.....	D5/60
5,591,507 A *	1/1997	Jones	.....	428/88
7,033,965 B2 *	4/2006	Takabayashi et al.	.....	442/381
D551,408 S *	9/2007	Pung et al.	.....	D32/40
D551,409 S *	9/2007	Pung et al.	.....	D32/40
D618,410 S *	6/2010	Libman et al.	.....	D32/40
D633,673 S *	3/2011	McKnight	.....	D32/40

\* cited by examiner

*Primary Examiner* — Robin V Webster

(74) *Attorney, Agent, or Firm* — Smith Risley Tempel Santos LLC; Gregory Scott Smith

(57) **CLAIM**

The ornamental design for a cleaning cloth, as shown and described.

**DESCRIPTION**

FIG. 1 is a perspective view of the top side of the cleaning cloth with multiple sections, the stippled portion illustrates a transparent strip overlaid onto a section of the cleaning cloth; FIG. 2 is a top plan view of the cleaning cloth illustrated in FIG. 1;

FIG. 3 is a left side view of the cleaning cloth illustrated in FIG. 1;

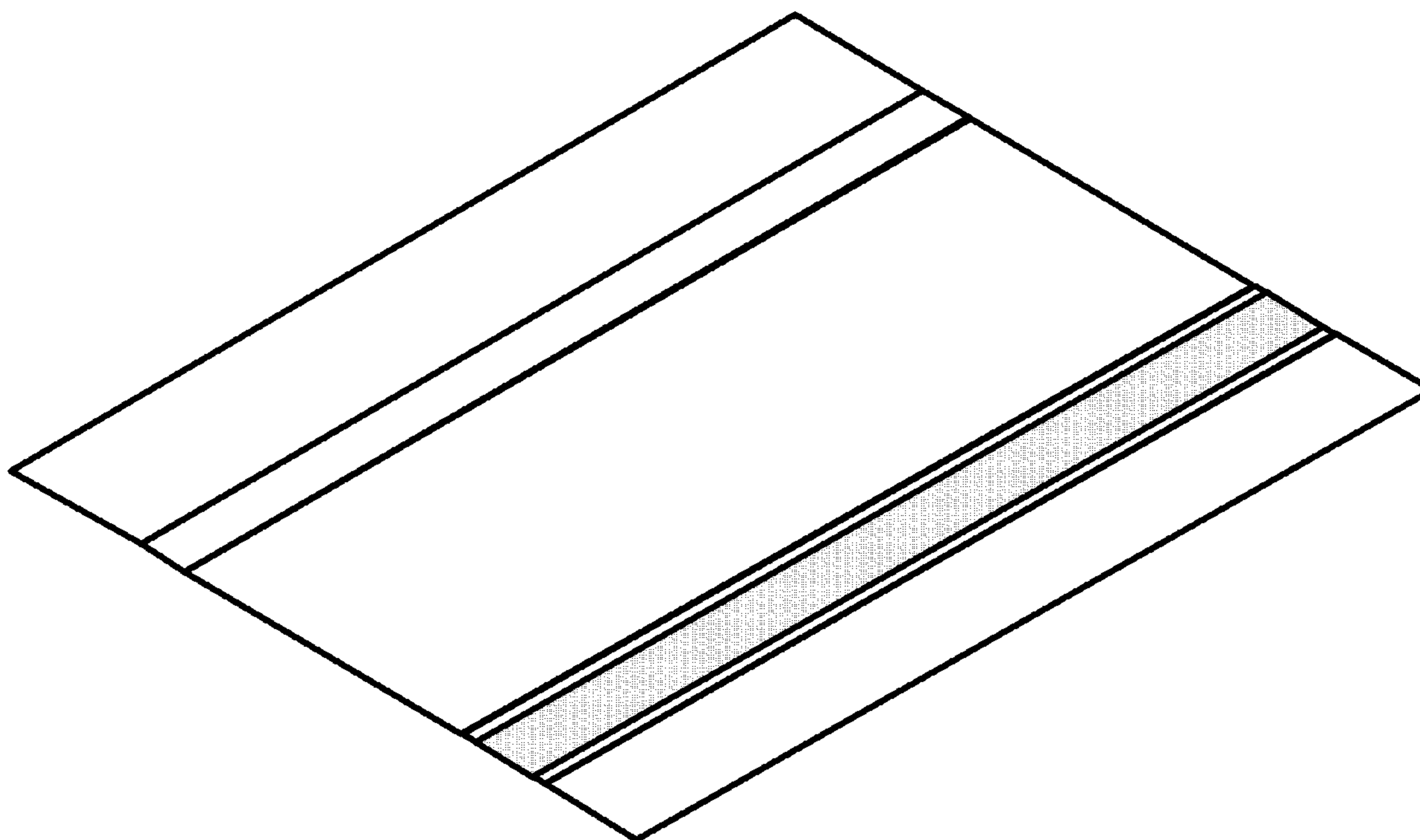
FIG. 4 is a bottom plan view of the cleaning cloth with all sections having a uniform color and contrasting textures not being claimed for the bottom;

FIG. 5 is right side view of the cleaning cloth illustrated in FIG. 1; and,

FIG. 6 is a front view of the cleaning cloth illustrated in FIG. 1.

The stippling is used to show a transparent strip overlaid on the cleaning cloth.

**1 Claim, 3 Drawing Sheets**



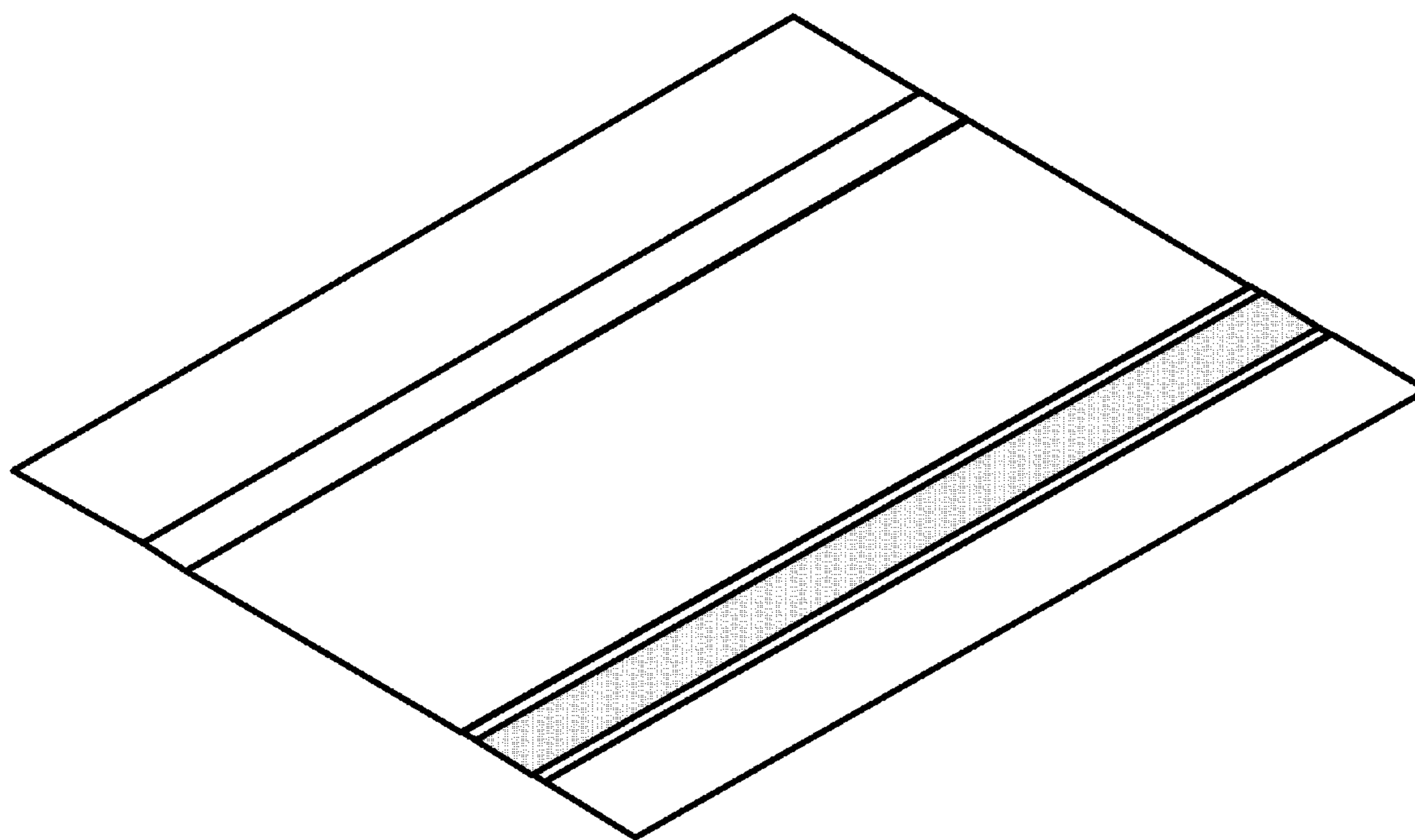


FIG. 1

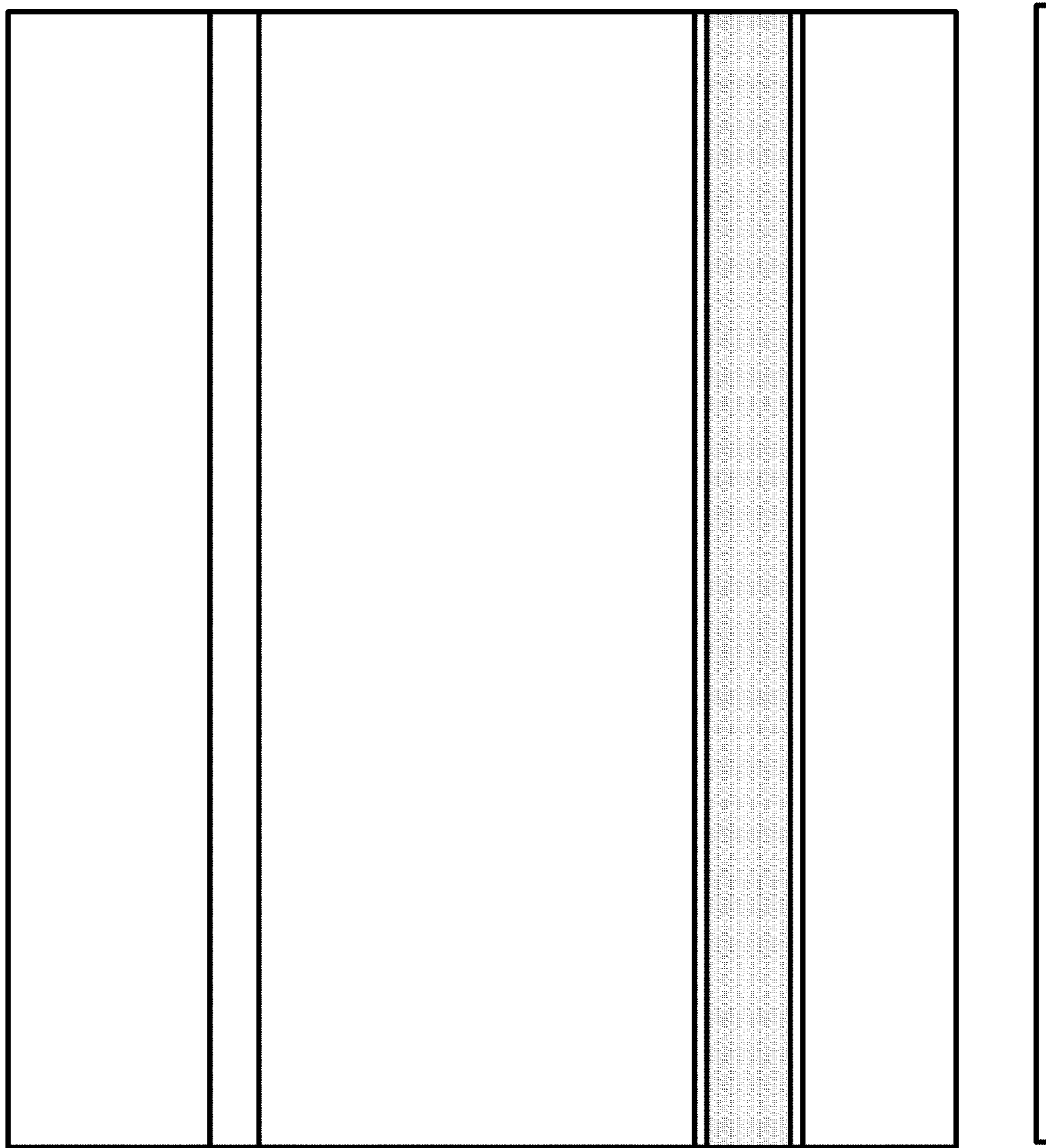


FIG. 2

FIG. 3

FIG. 6

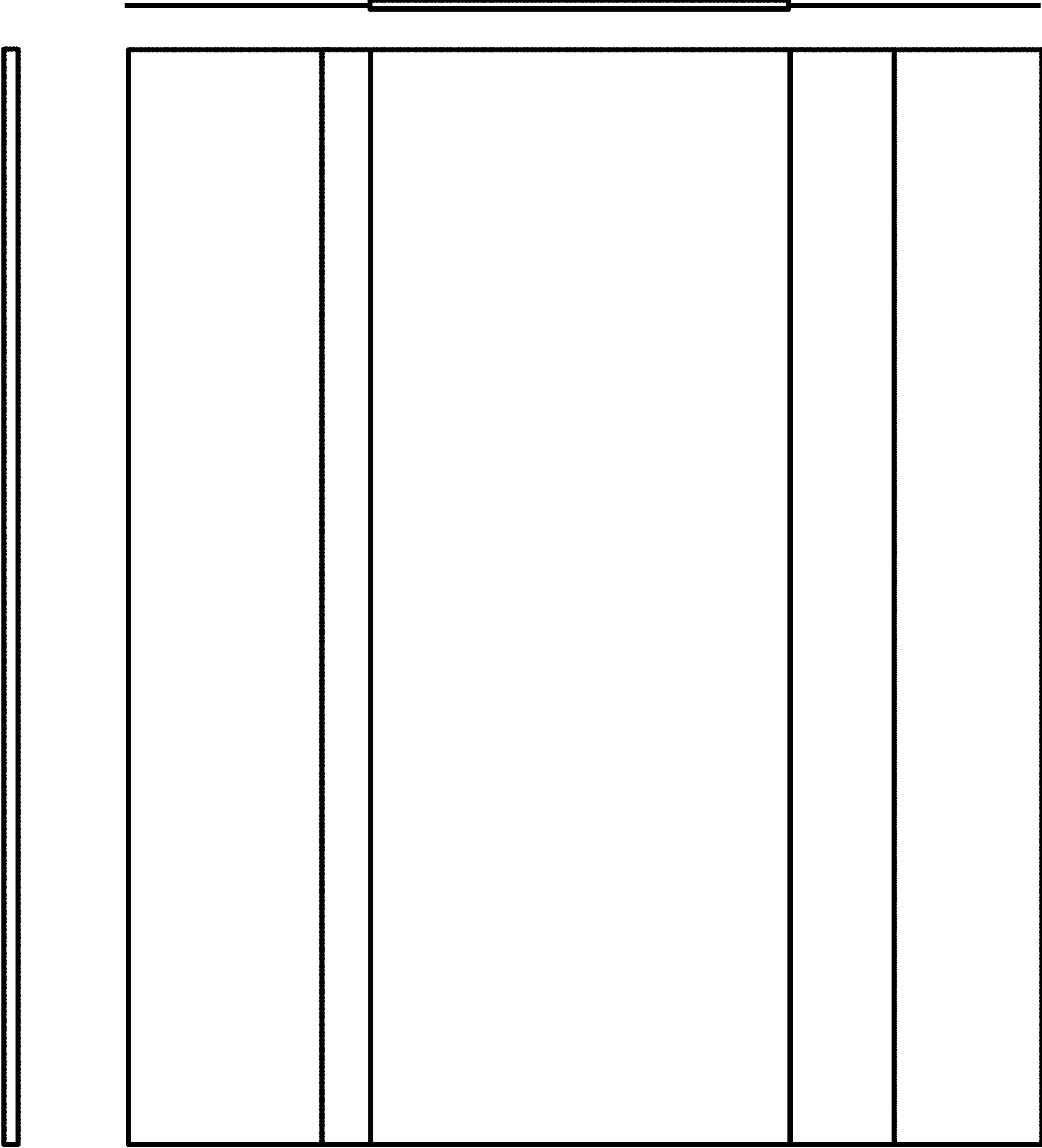


FIG. 5

FIG. 4