



US00D649310S

(12) **United States Design Patent**  
**Colangelo**

(10) **Patent No.:** **US D649,310 S**

(45) **Date of Patent:** **\*\* Nov. 22, 2011**

(54) **TEXTURED CLEANING CLOTH**

(76) **Inventor:** **Joseph Colangelo**, Delray Beach, FL  
(US)

(\*\*) **Term:** **14 Years**

(21) **Appl. No.:** **29/384,018**

(22) **Filed:** **Jan. 25, 2011**

(51) **LOC (9) Cl.** ..... **04-01**

(52) **U.S. Cl.** ..... **D32/40**

(58) **Field of Classification Search** ..... D23/40-42;  
D5/58-60; 15/244.1-244.4, 208, 209.1  
See application file for complete search history.

(56) **References Cited**

U.S. PATENT DOCUMENTS

D50,307 S *	2/1917	Hanson	.....	D5/60
D66,827 S *	3/1925	Binkovitz	.....	D5/60
5,591,507 A *	1/1997	Jones	.....	428/88
7,033,965 B2 *	4/2006	Takabayashi et al.	.....	442/381
D551,408 S *	9/2007	Pung et al.	.....	D32/40
D551,409 S *	9/2007	Pung et al.	.....	D32/40
D618,410 S *	6/2010	Libman et al.	.....	D32/40
D633,673 S *	3/2011	McKnight	.....	D32/40

\* cited by examiner

*Primary Examiner* — Robin V Webster

(74) *Attorney, Agent, or Firm* — Smith Risley Tempel  
Santos LLC; Gregory Scott Smith

(57) **CLAIM**

The ornamental design for a textured cleaning cloth, as shown and described.

**DESCRIPTION**

FIG. 1 is a perspective view of the top side of the textured cleaning cloth with sections of contrasting texture being illustrated with different shading and sections of similar texture being illustrated with like shading, and all sections being of a uniform color;

FIG. 2 is a top plan view of the textured cleaning cloth with contrasting textures illustrated with different shading and similar textures illustrated with like shading and all sections having a uniform color;

FIG. 3 is a left side view of the textured cleaning cloth illustrated in FIG. 1;

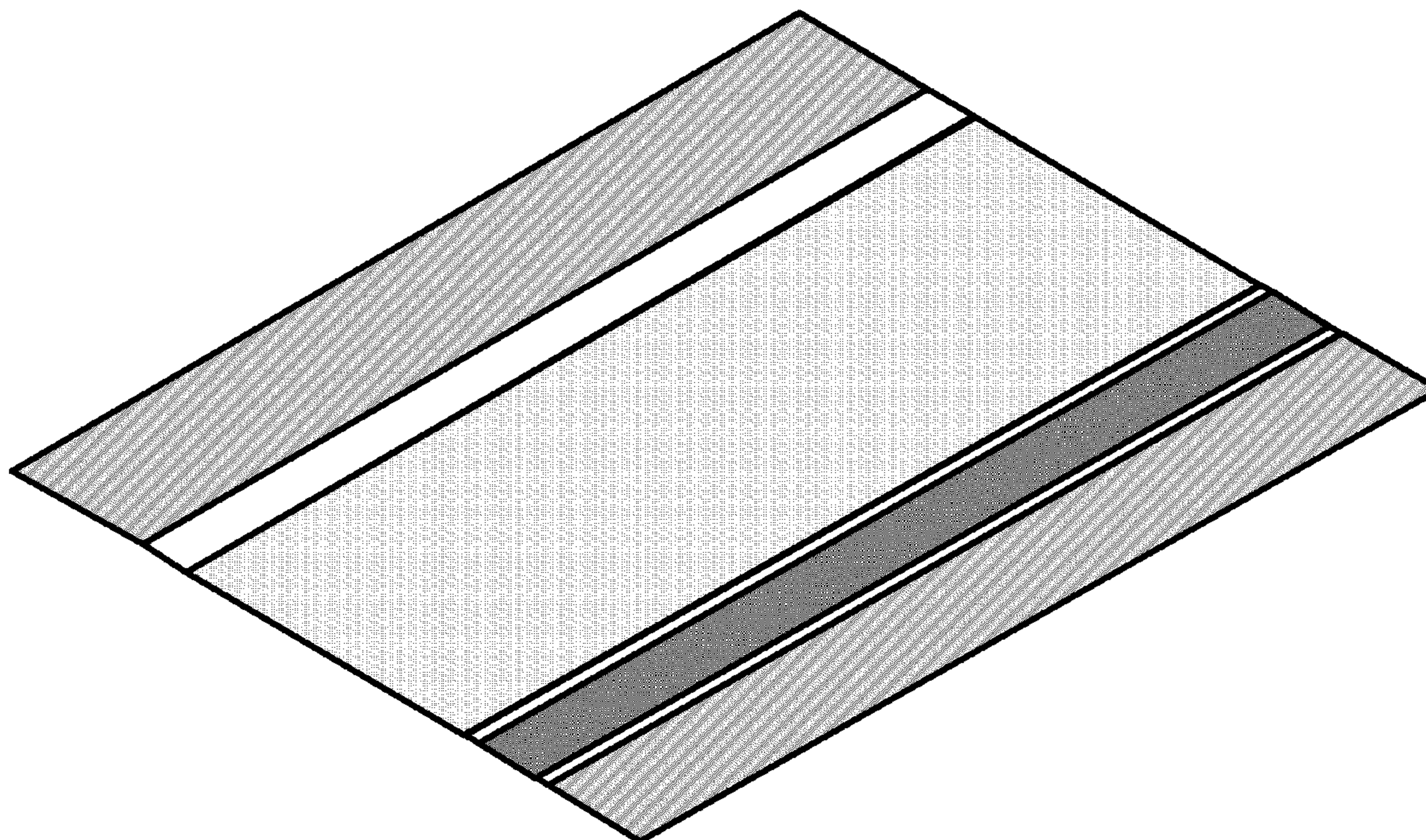
FIG. 4 is a bottom plan view of the textured cleaning cloth with all sections having a uniform color and contrasting textures not being claimed for the bottom;

FIG. 5 is right side view of the textured cleaning cloth illustrated in FIG. 1; and,

FIG. 6 is a front view of the textured cleaning cloth illustrated in FIG. 1.

The shading in the drawings is used to show contrasting and similar textures, with like textured sections having like shading and contrasting textured sections having contrasting shading and, each of the sections having a uniform color compared to each other.

**1 Claim, 3 Drawing Sheets**





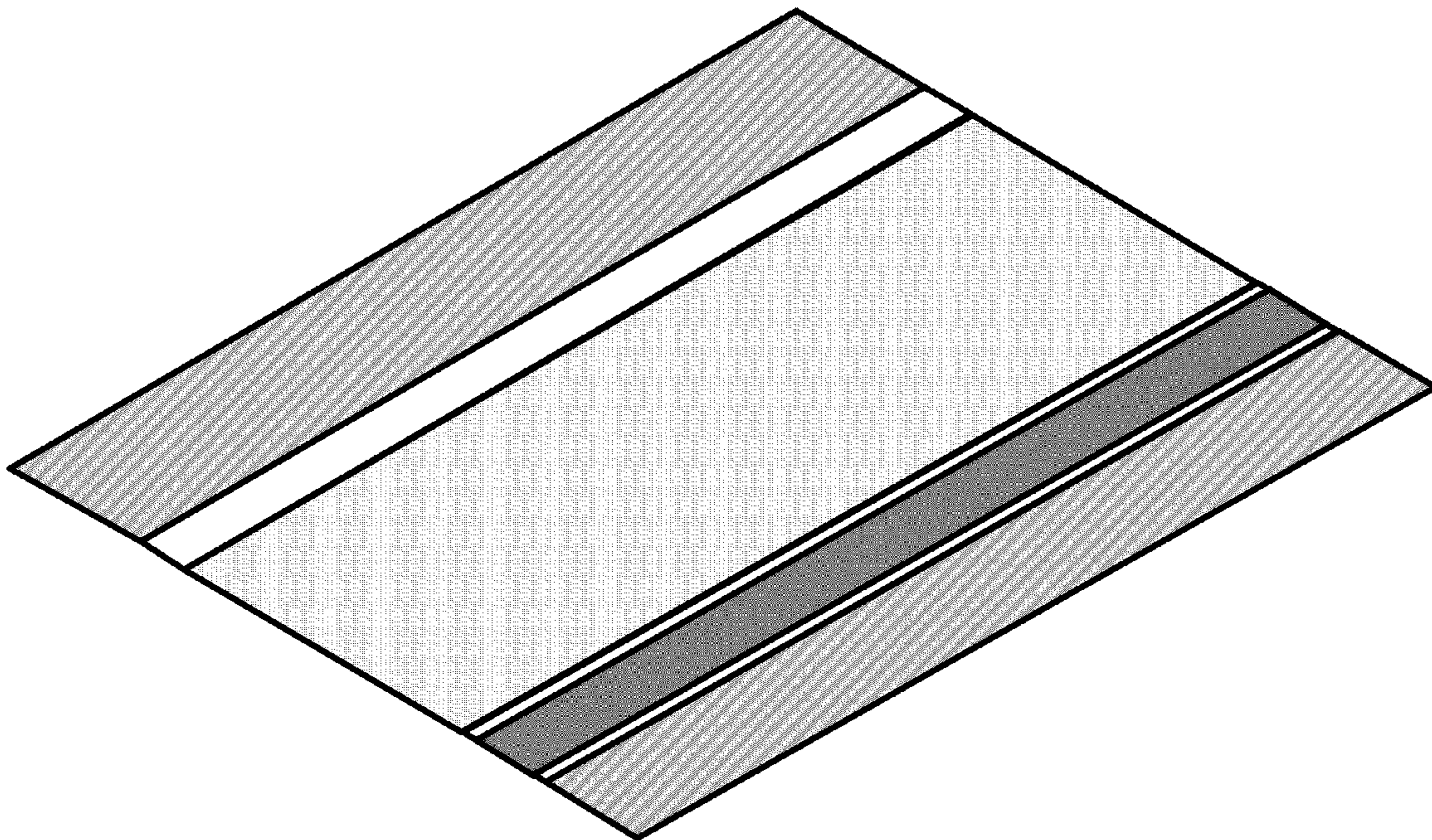


FIG. 1



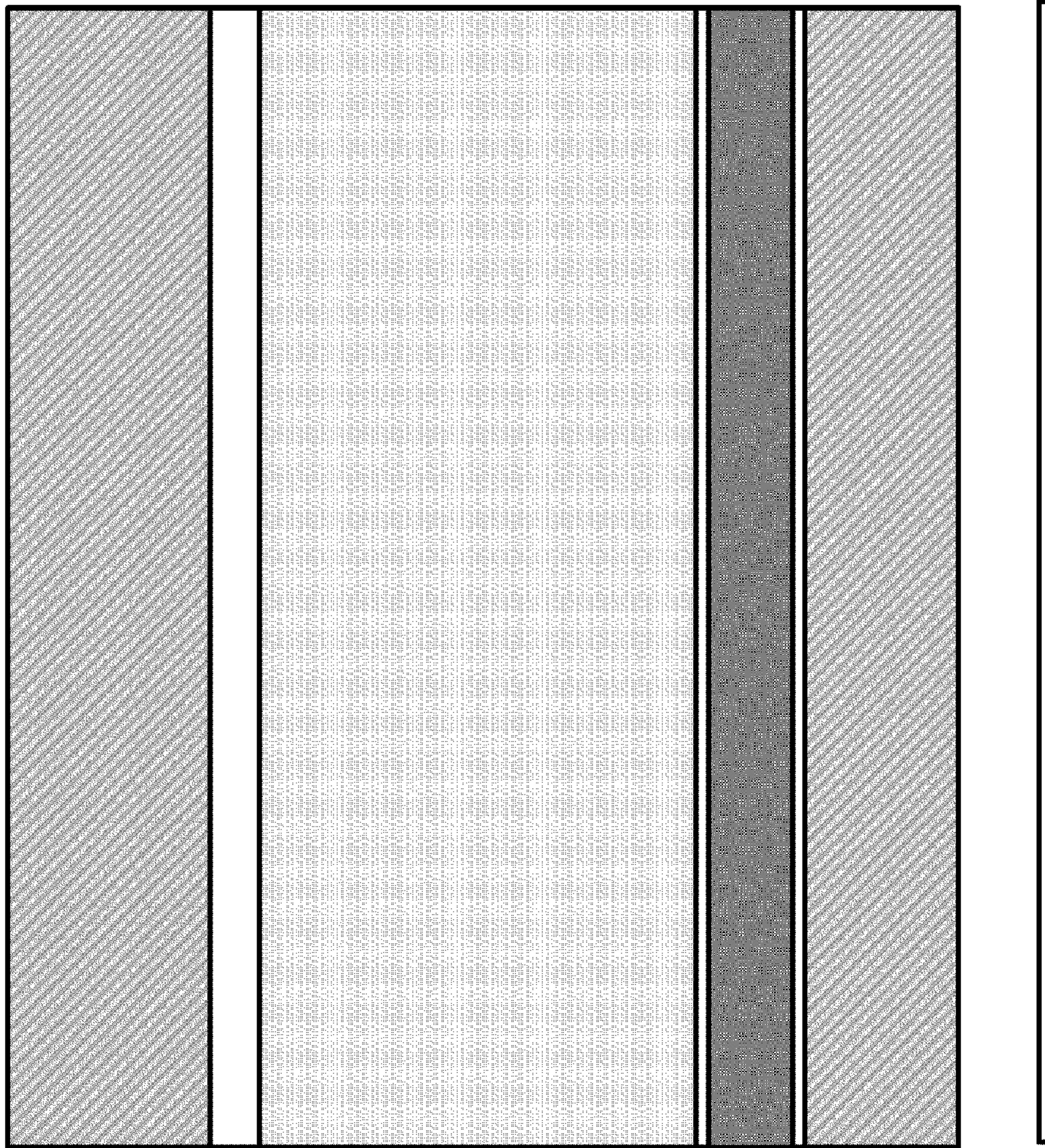


FIG. 2

FIG. 3



FIG. 6

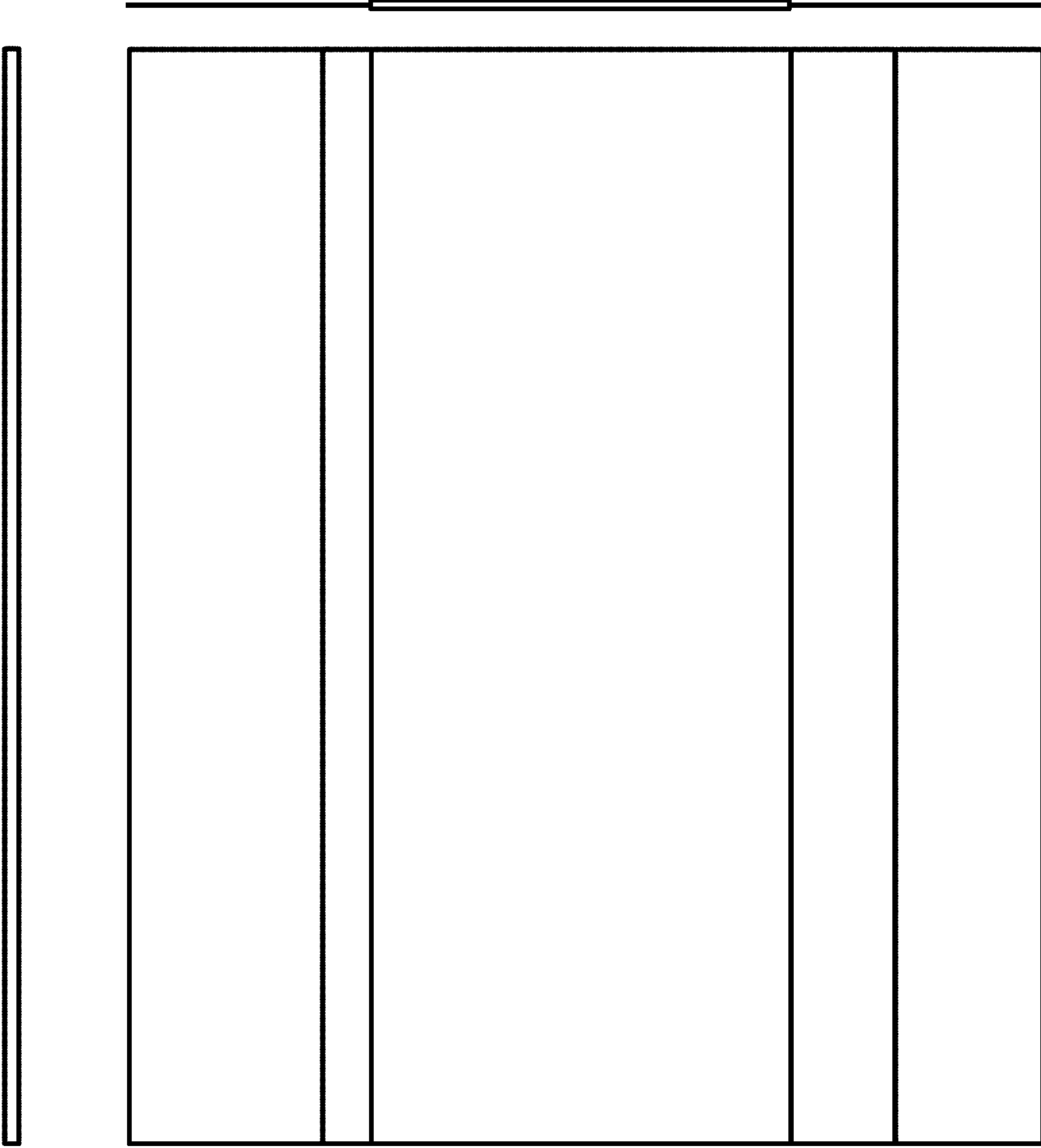


FIG. 5

FIG. 4