



US00D649308S

(12) **United States Design Patent**
Alexander et al.

(10) **Patent No.:** **US D649,308 S**

(45) **Date of Patent:** **** Nov. 22, 2011**

(54) **PRESSURE WASHER**

(75) Inventors: **Gus Alexander**, Inverness, IL (US);
Ryan D Sherwood, Chicago, IL (US);
Christopher C Alexander, Chicago, IL
(US); **William N Alexander**, Inverness,
IL (US)

(73) Assignee: **FNA IP Holdings, Inc.**, Elk Grove
Village, IL (US)

(**) Term: **14 Years**

(21) Appl. No.: **29/379,399**

(22) Filed: **Nov. 18, 2010**

(51) **LOC (9) Cl.** **15-05**

(52) **U.S. Cl.** **D32/15**

(58) **Field of Classification Search** D32/1,
D32/15-16, 21-22, 25; D23/225; D15/7;
239/146-147, 149, 155-158, 172; 15/320-323,
15/332, 353, 403, 405; 134/199-201

See application file for complete search history.

(56) **References Cited**

U.S. PATENT DOCUMENTS

D532,166 S * 11/2006 Reverberi D32/4
D551,812 S * 9/2007 Renner D32/15
D551,813 S * 9/2007 Renner D32/15

D551,814 S * 9/2007 Renner D32/15
D556,959 S * 12/2007 Li D32/15
D559,481 S * 1/2008 Renner D32/15
D560,046 S * 1/2008 Renner D32/15
D563,612 S * 3/2008 Li D32/15
D564,147 S * 3/2008 Li D32/15
D570,060 S * 5/2008 Renner et al. D32/15
D591,014 S * 4/2009 Li D32/15
D614,822 S * 4/2010 Gebhardt et al. D32/21
D630,390 S * 1/2011 Meyer D32/15

* cited by examiner

Primary Examiner — T. Chase Nelson
Assistant Examiner — Kathleen M Sims

(74) *Attorney, Agent, or Firm* — Cook Alex Ltd.

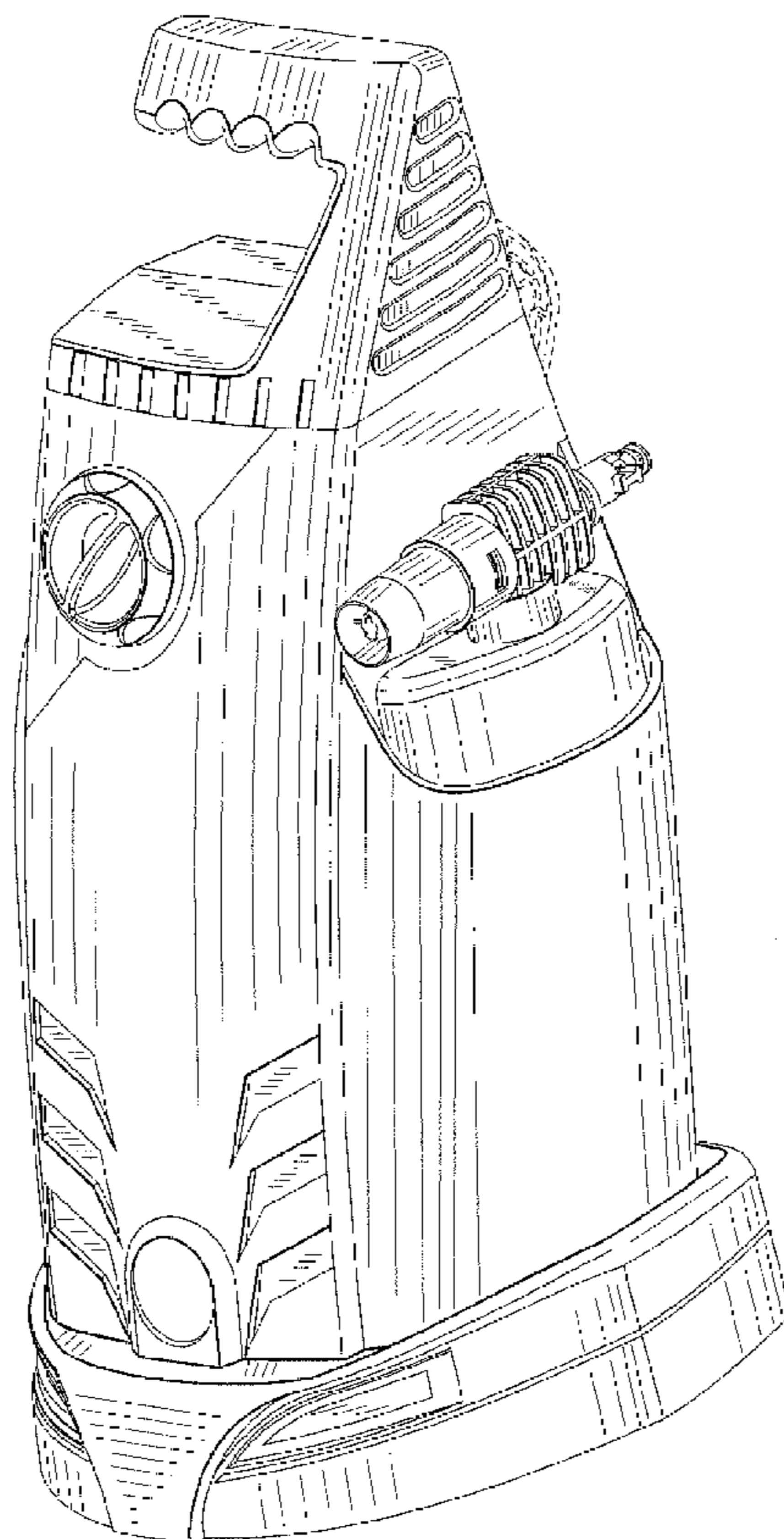
(57) **CLAIM**

The ornamental design for a pressure washer, as shown and described.

DESCRIPTION

FIG. 1 is a perspective view of a pressure washer;
FIG. 2 is a front elevation view thereof;
FIG. 3 is a rear elevation view thereof;
FIG. 4 is a left side elevation view thereof;
FIG. 5 is a right side elevation view thereof;
FIG. 6 is a top plan view thereof; and,
FIG. 7 is a bottom plan view thereof.
The broken lines in FIGS. 1-7 are for illustrative purposes
only and form no part of the claimed design.

1 Claim, 6 Drawing Sheets



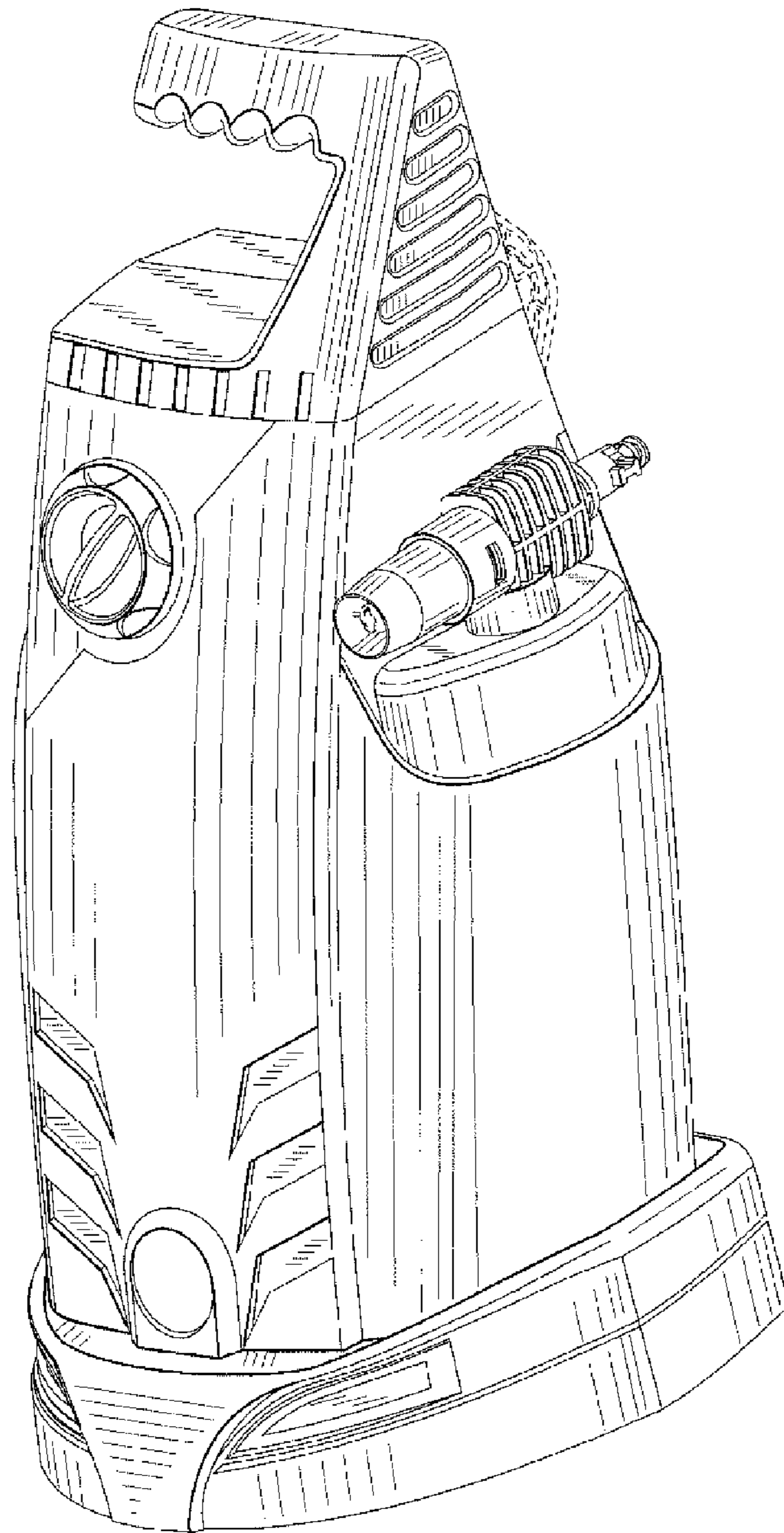


Fig. 1

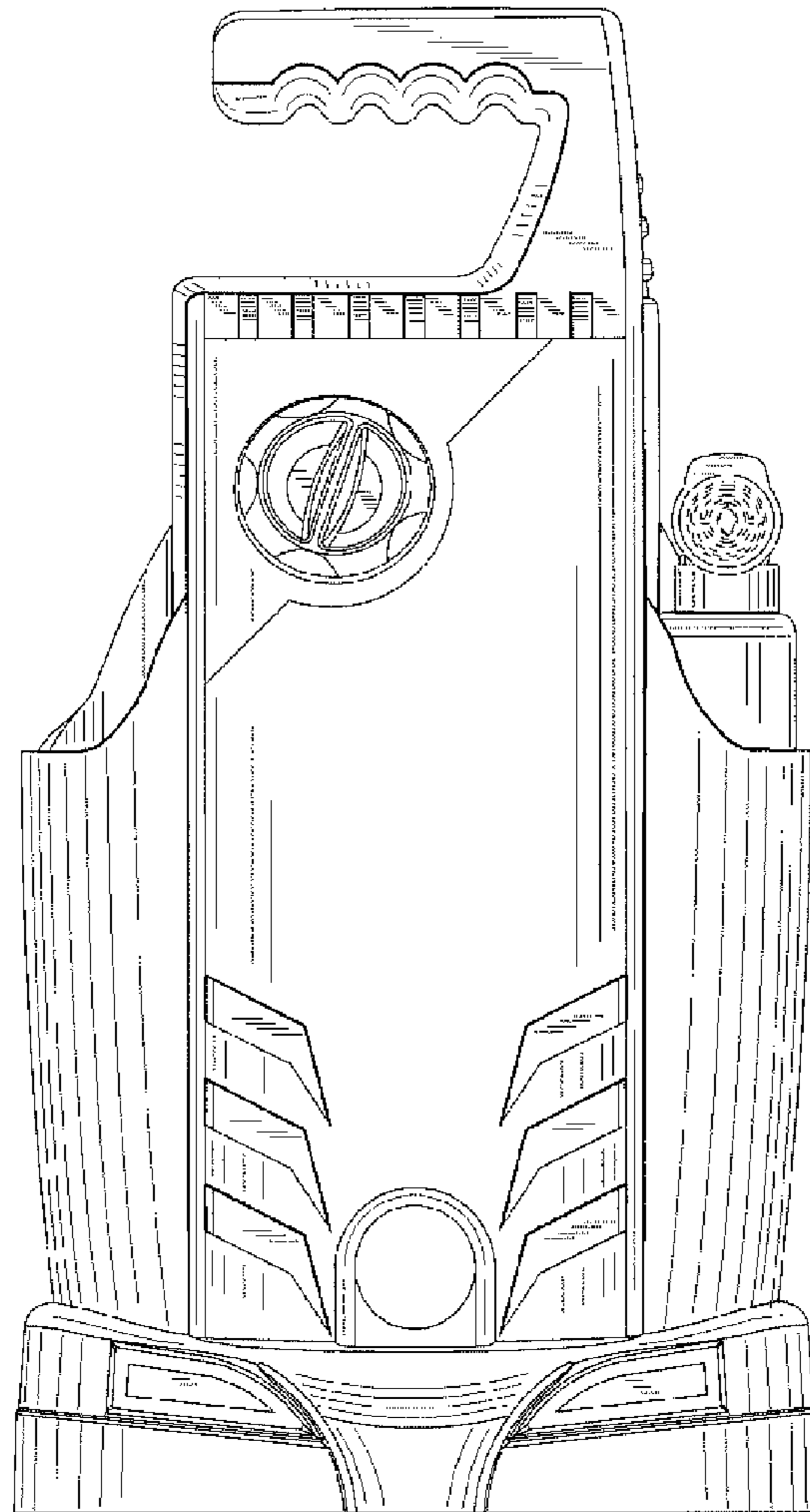


Fig. 2

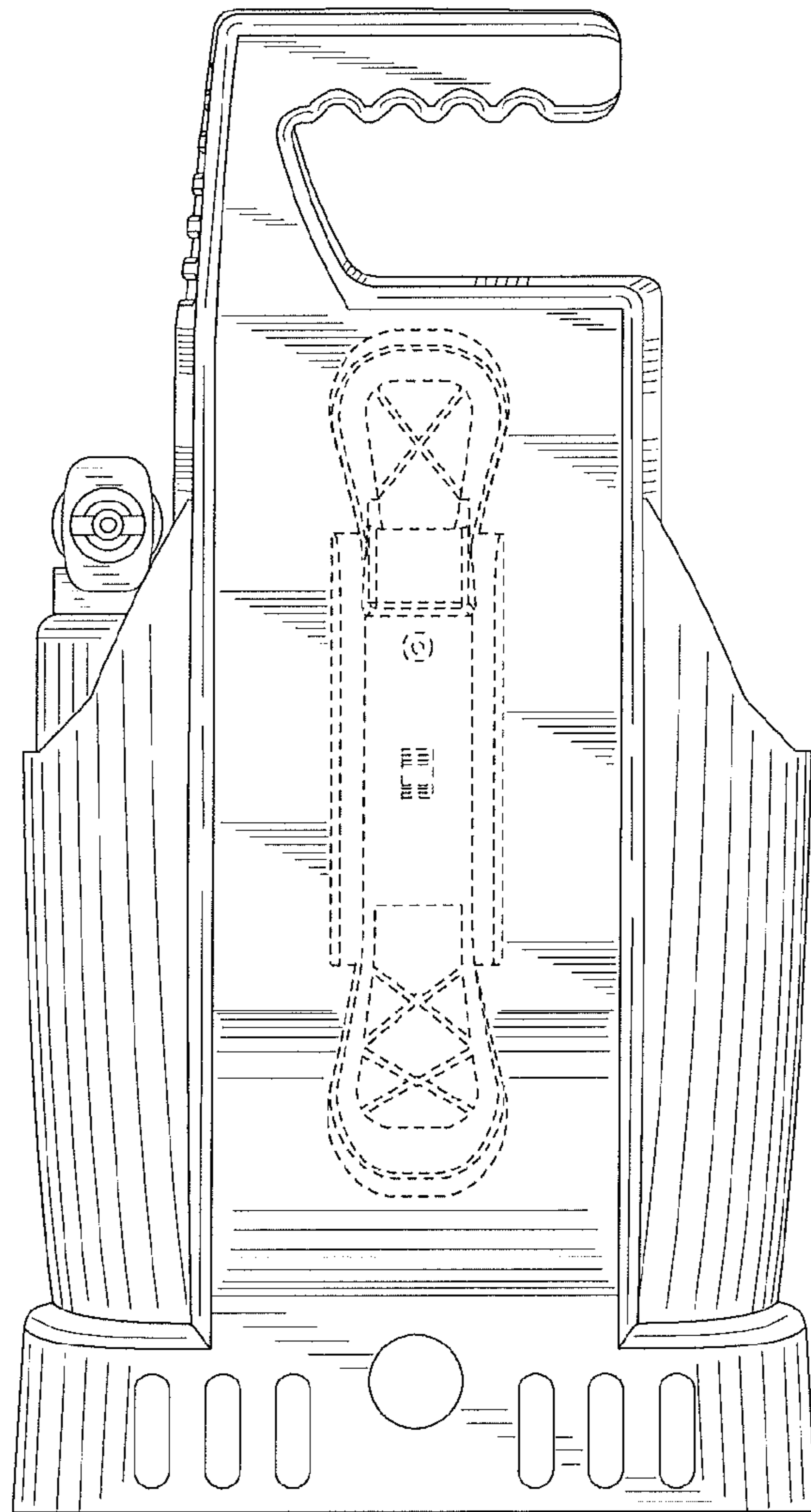


Fig. 3

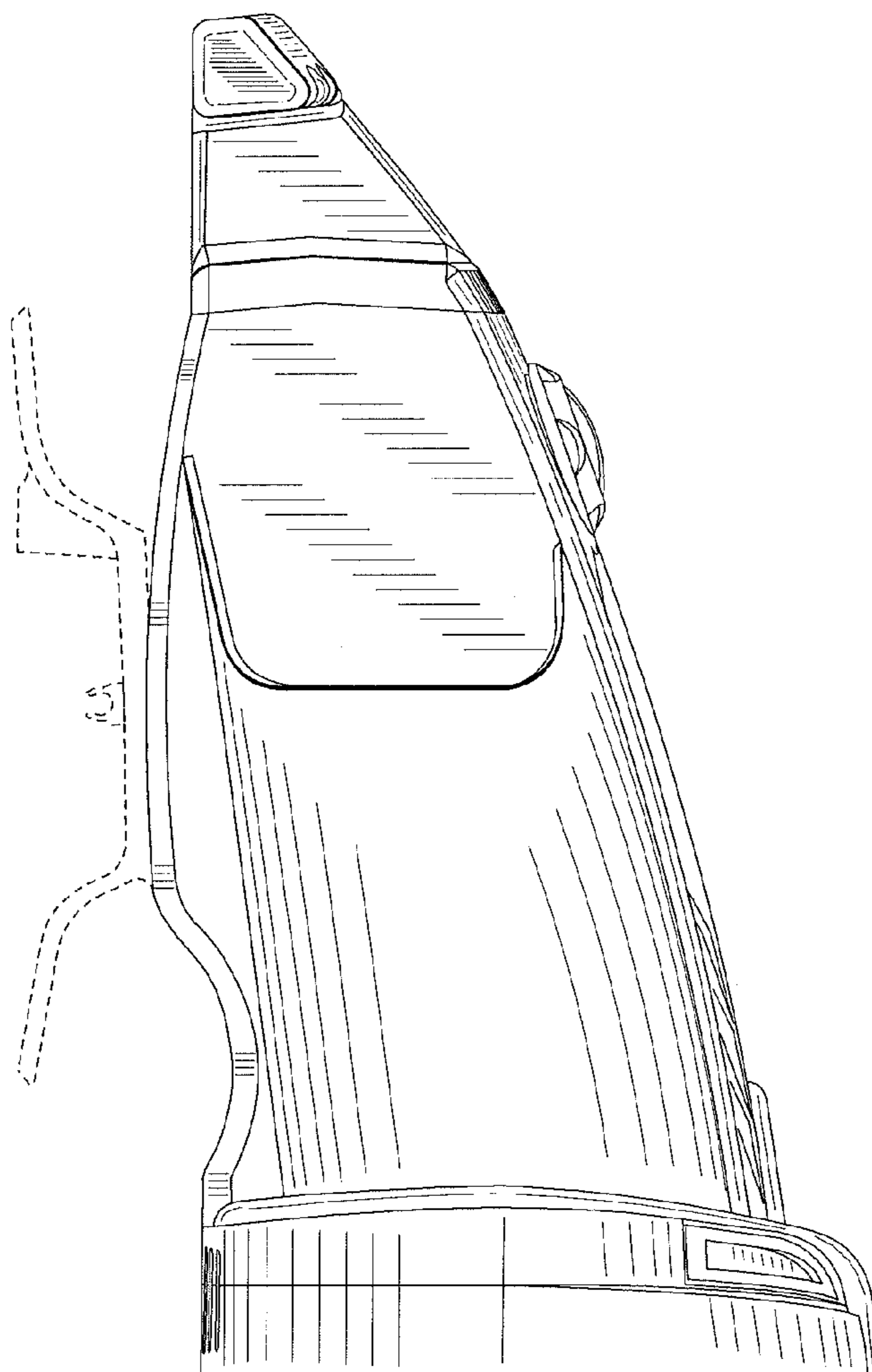


Fig. 4

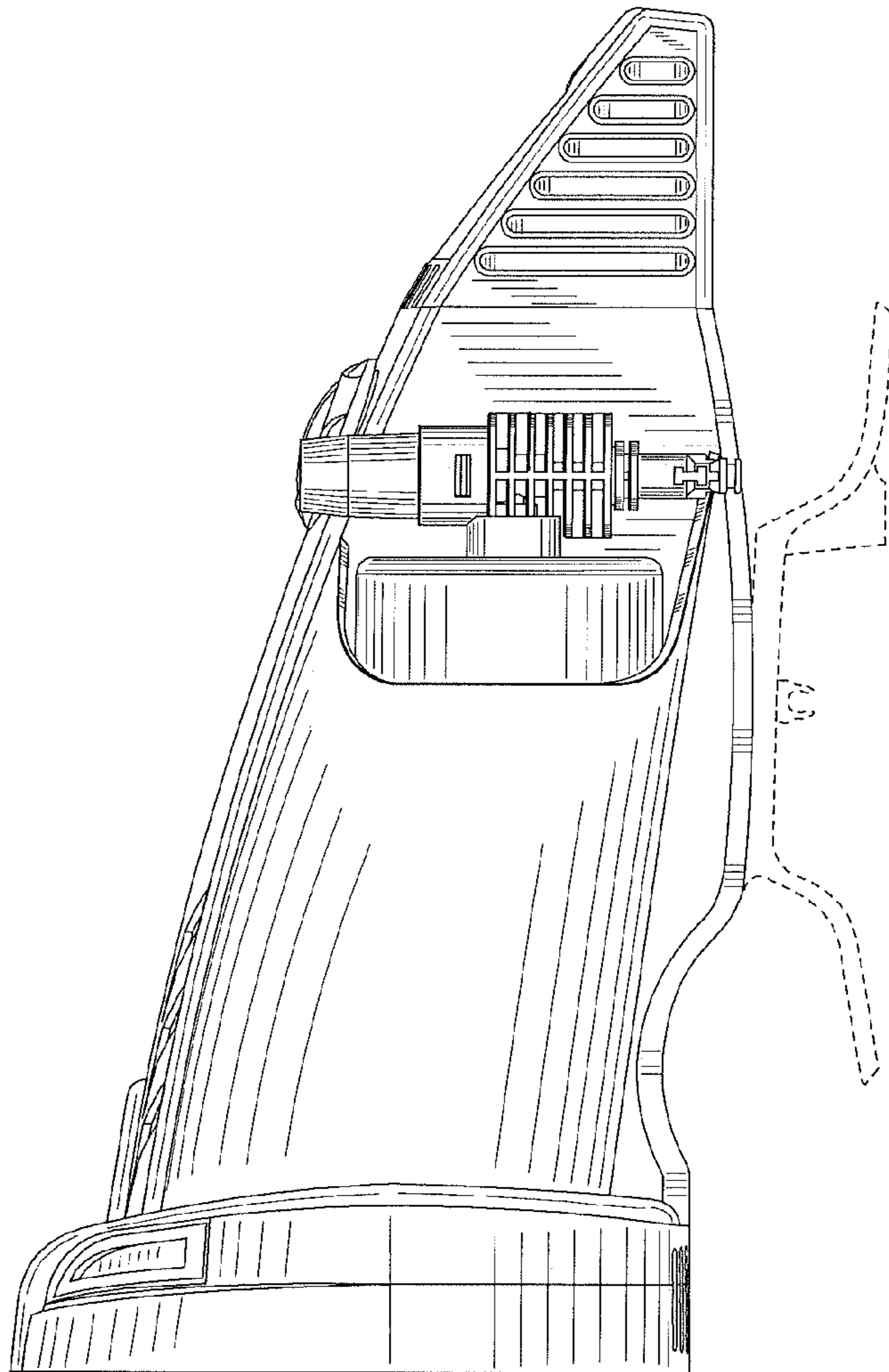


Fig. 5

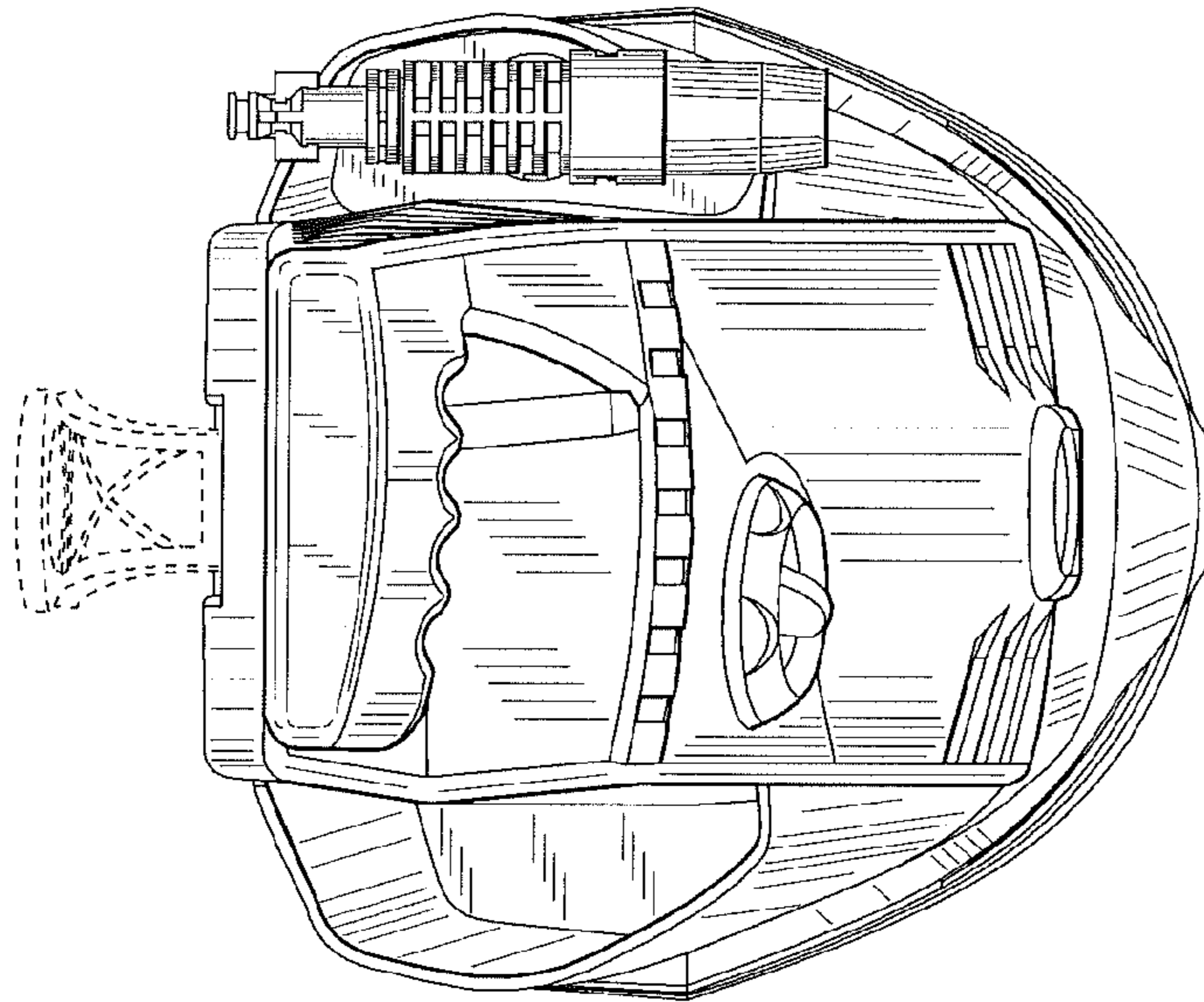


Fig. 6

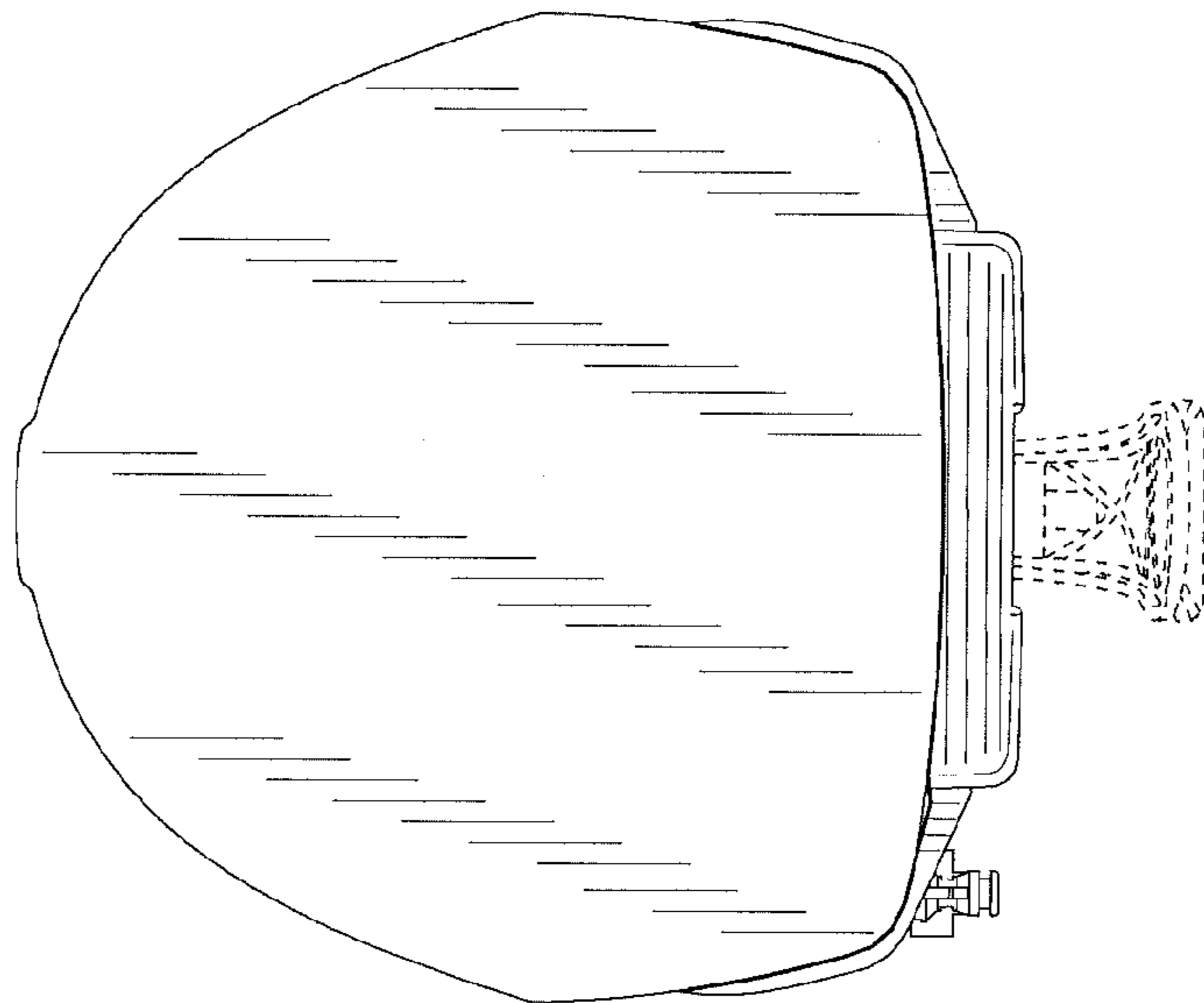


Fig. 7