



US00D649303S

(12) **United States Design Patent**
Falk

(10) **Patent No.:** **US D649,303 S**

(45) **Date of Patent:** **** Nov. 22, 2011**

(54) **PROTECTIVE COVER FOR PAWS**
(75) Inventor: **Roger Falk**, Hässelby (SE)
(73) Assignee: **Falk Konsult HB**, Hässelby (SE)
(**) Term: **14 Years**

4,458,431 A * 7/1984 Sinclair 36/88
D424,253 S * 5/2000 Bradley et al. D30/146
6,470,832 B1 * 10/2002 Peacock 119/850
D592,371 S * 5/2009 Dellinger D32/54
7,677,206 B1 * 3/2010 Southworth 119/850
7,717,186 B2 * 5/2010 Daine 168/19

* cited by examiner

(21) Appl. No.: **29/347,943**
(22) Filed: **Aug. 12, 2010**

Primary Examiner — Susan M Lee
Assistant Examiner — Linda G. Brooks
(74) *Attorney, Agent, or Firm* — Jacobson Holman PLLC

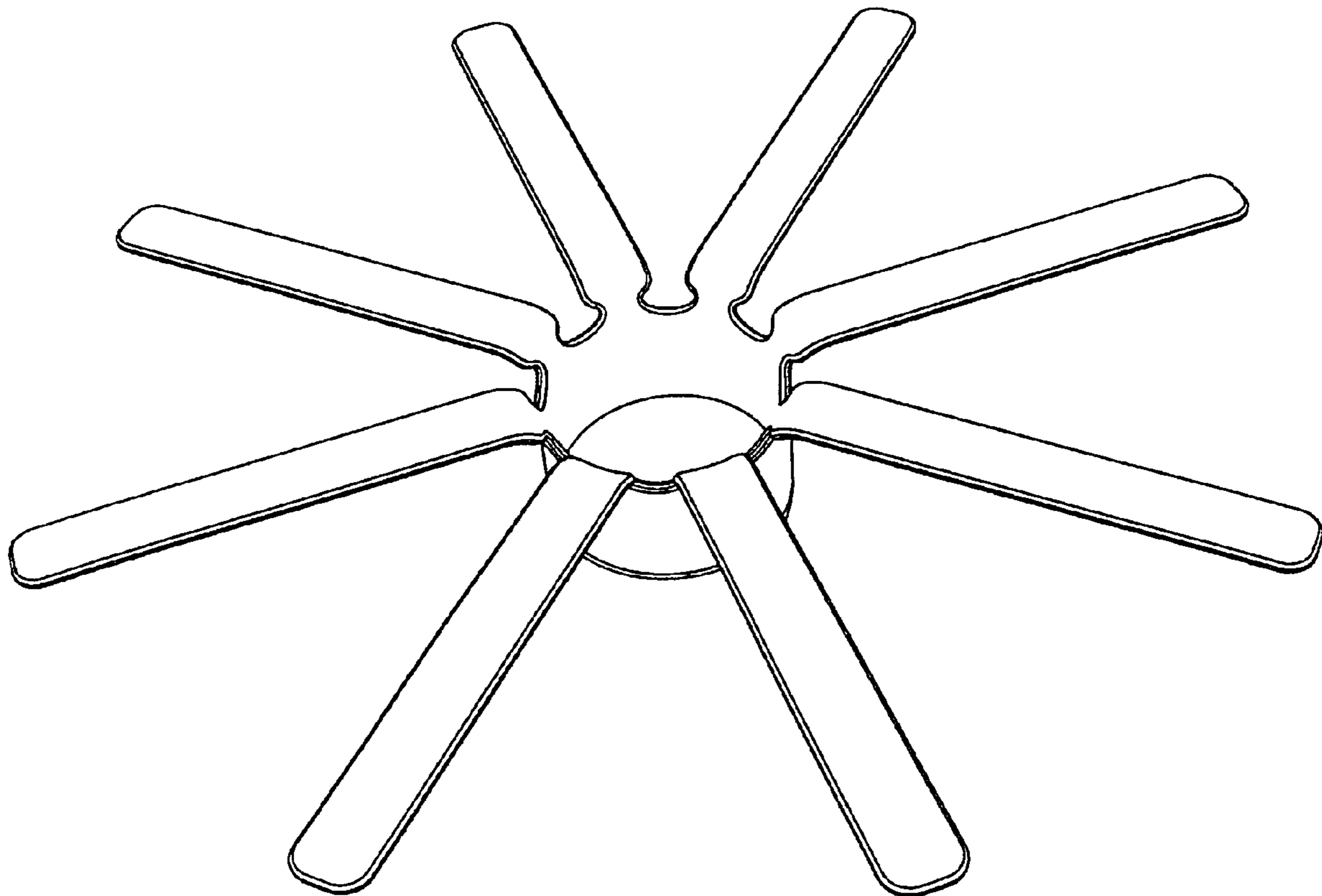
(30) **Foreign Application Priority Data**
Feb. 23, 2010 (EM) 001673252
(51) **LOC (9) Cl.** **30-01**
(52) **U.S. Cl.** **D30/146**
(58) **Field of Classification Search** D30/146-150;
119/850, 851; 168/1-3, 17, 18, 20, 22; 36/111;
D8/374; 248/188.9, 346.11; 54/82
See application file for complete search history.

(57) **CLAIM**
The ornamental design for a protective cover for paws, as shown and described.

(56) **References Cited**
U.S. PATENT DOCUMENTS
719,922 A * 2/1903 Weeks 54/82
D223,369 S * 4/1972 Jachson D30/146

DESCRIPTION
FIG. 1 is a top perspective view showing my new design for a protective cover for paws,
FIG. 2 is a bottom perspective view thereof,
FIG. 3 is a top view thereof,
FIG. 4 is a bottom thereof; and,
FIG. 5 is a side view thereof.

1 Claim, 5 Drawing Sheets



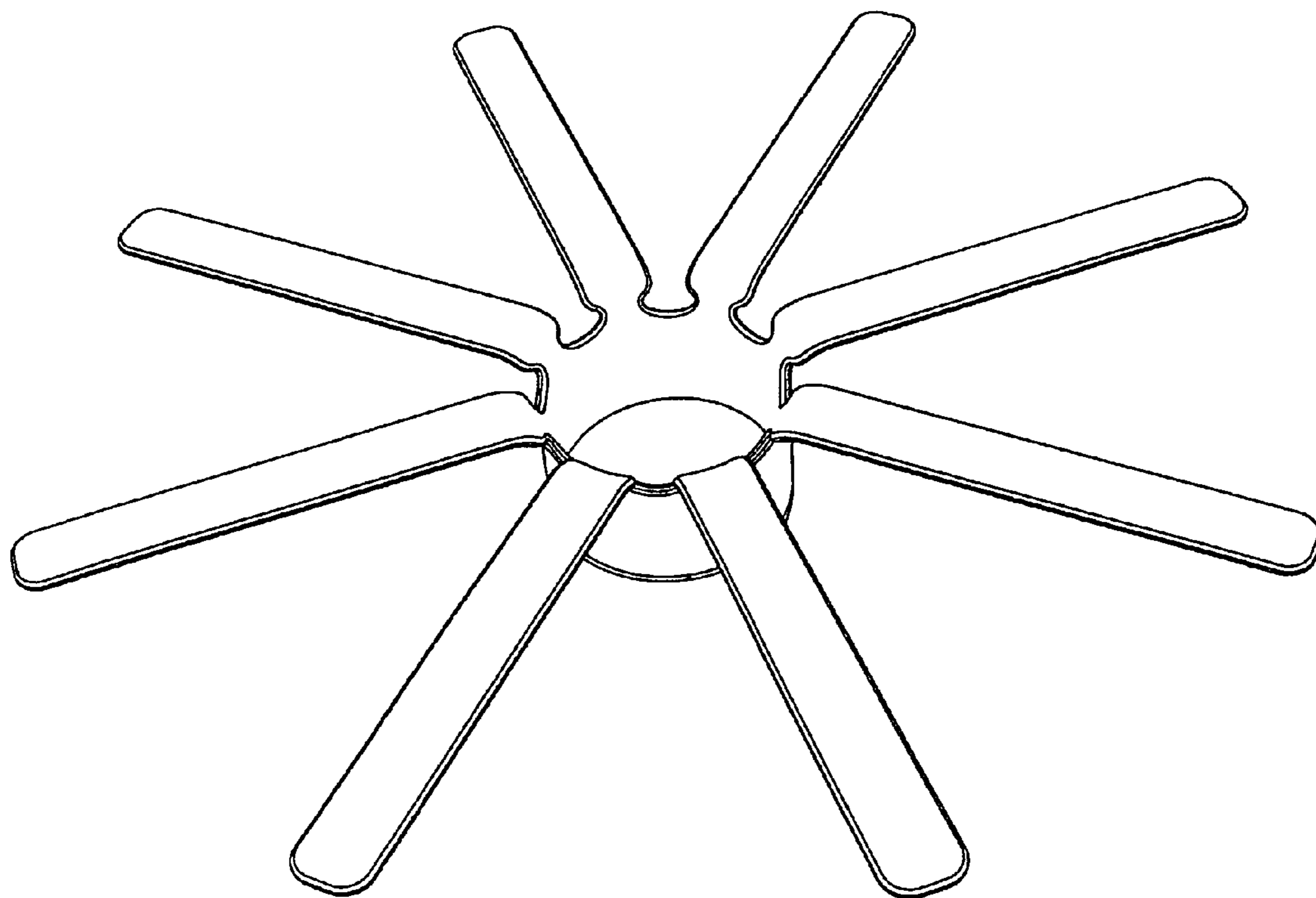


FIG. 1

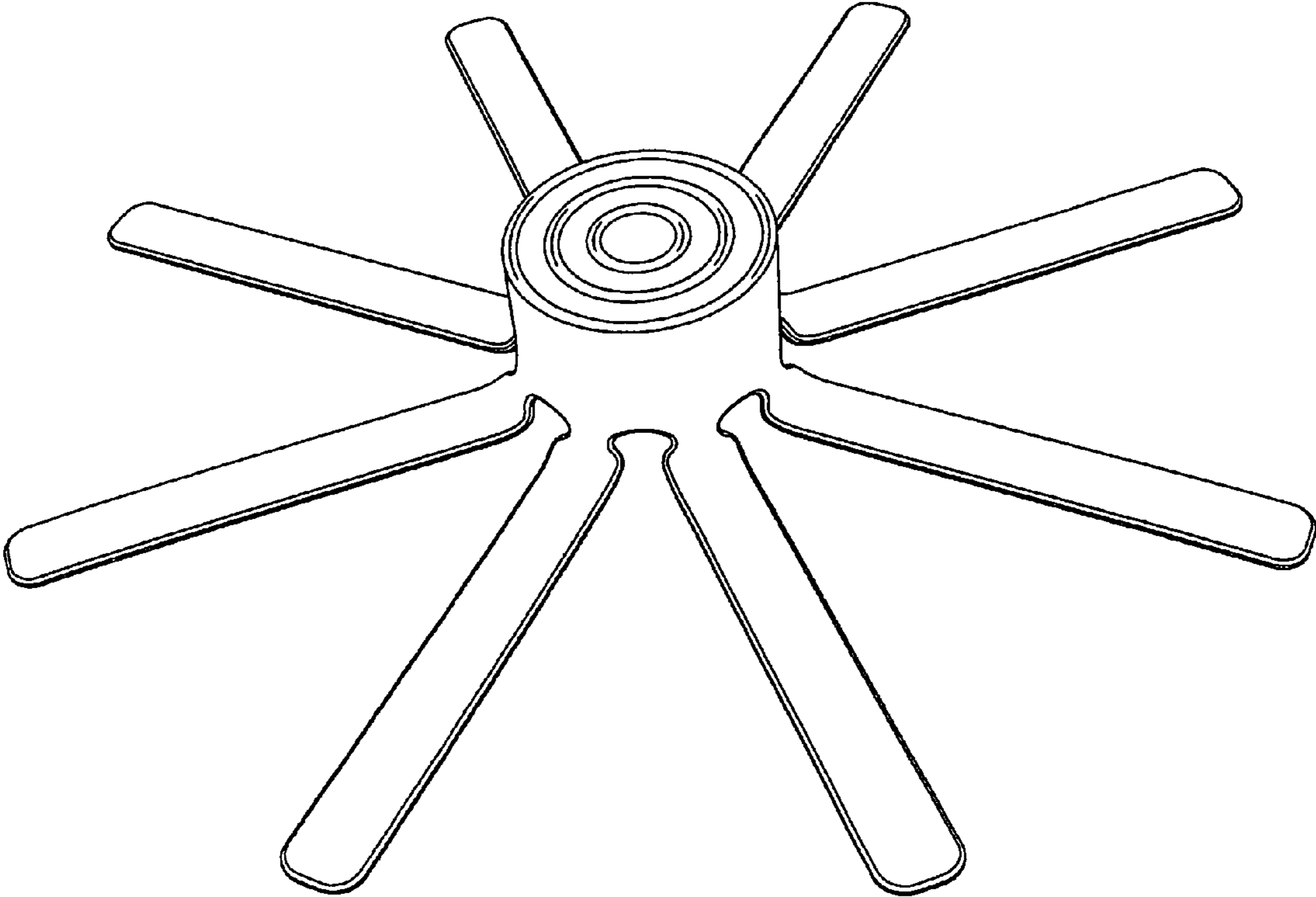


FIG. 2

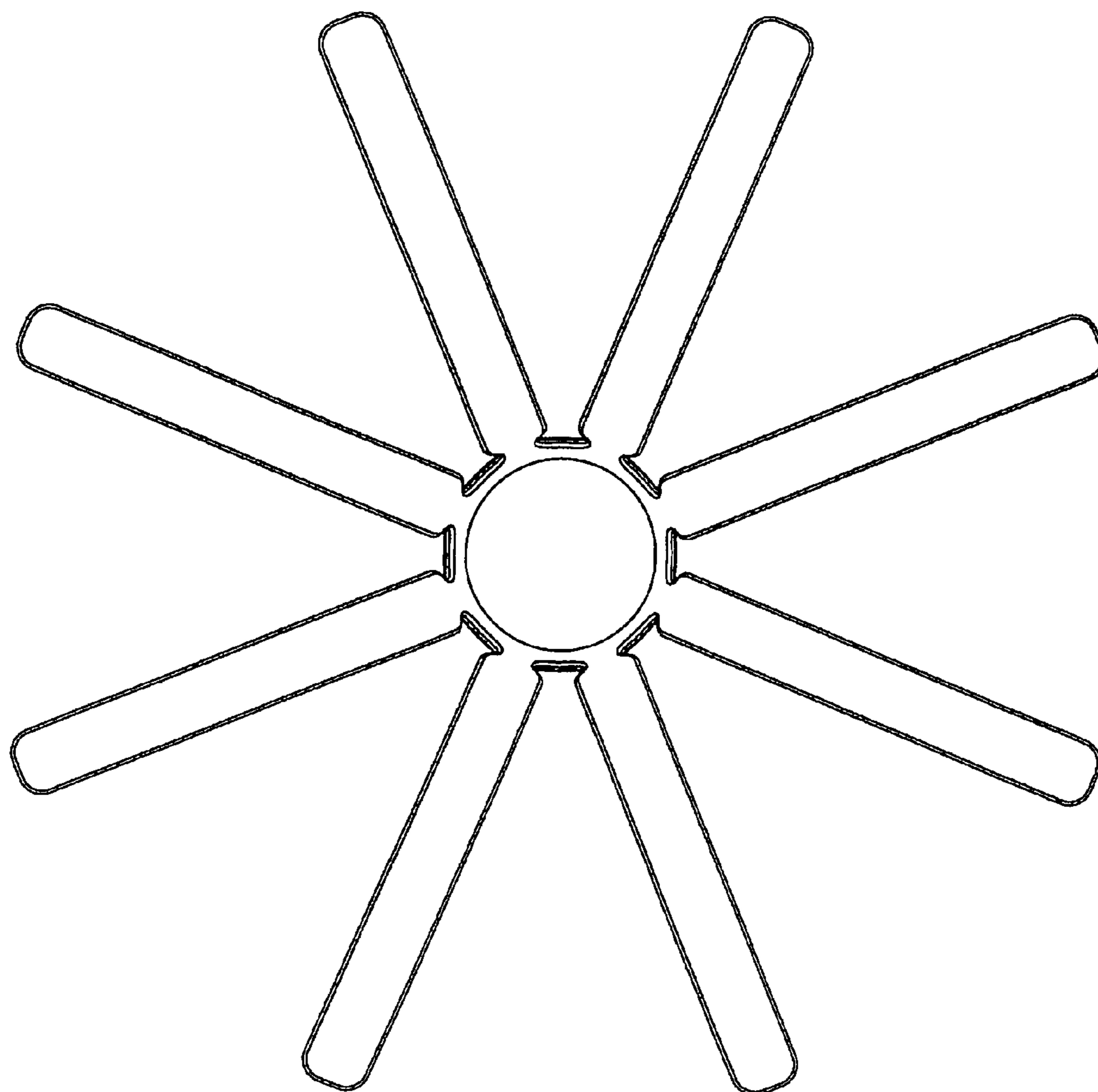


FIG. 3

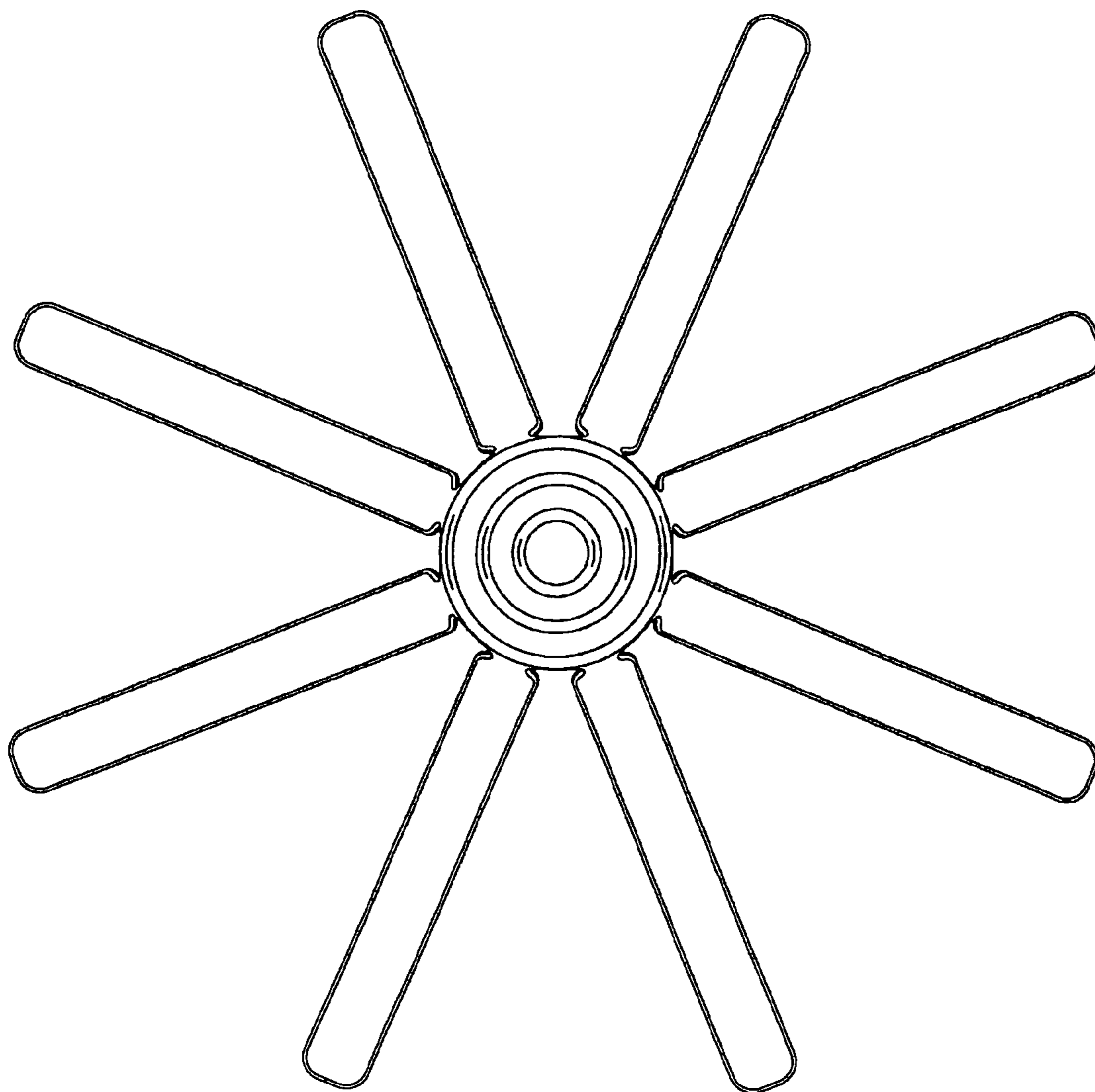


FIG. 4

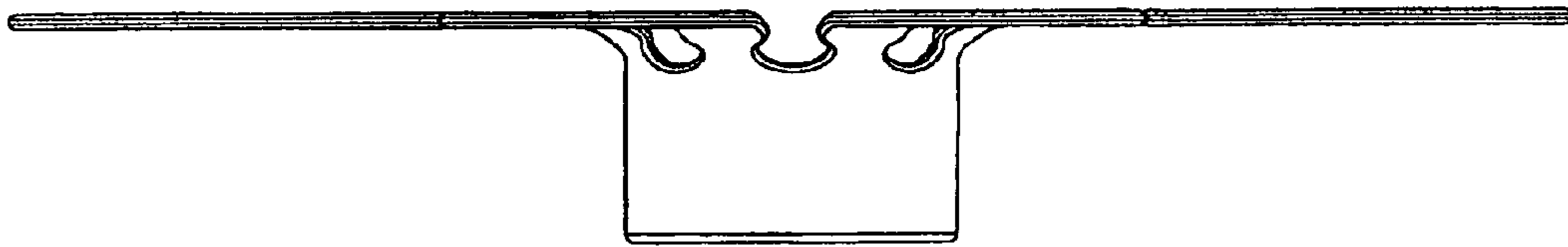


FIG. 5