



US00D649300S

(12) **United States Design Patent**  
**Lush**

(10) **Patent No.:** **US D649,300 S**

(45) **Date of Patent:** **\*\* Nov. 22, 2011**

(54) **BIRD FEEDER**

(76) **Inventor:** **Raymon W. Lush**, Bloomfield, NE (US)

(\*\*) **Term:** **14 Years**

(21) **Appl. No.:** **29/373,038**

(22) **Filed:** **Feb. 22, 2011**

(51) **LOC (9) Cl.** ..... **30-03**

(52) **U.S. Cl.** ..... **D30/127**

(58) **Field of Classification Search** ..... D30/121,  
D30/124, 126-129, 133, 199, 110-112, 123,  
D30/125; 119/52.2, 51.5, 61.5, 57.8, 57.9,  
119/52.3, 61.1, 531, 63, 428-435, 52.4, 55,  
119/61.3, 69.5, 75, 76; 47/67, 83; 248/318;  
D11/164, 152; 211/128.1; D27/123; D6/495,  
D6/460, 461, 476, 405

See application file for complete search history.

(56) **References Cited**

**U.S. PATENT DOCUMENTS**

2,116,699	A *	5/1938	Hall	119/54
D267,355	S *	12/1982	Blasbalg	D30/127
D274,377	S *	6/1984	Nock	D30/126
5,044,319	A *	9/1991	Blasbalg	119/57.9
5,150,665	A *	9/1992	Boaz	119/52.3
5,168,830	A *	12/1992	Deglis	119/428
D335,006	S *	4/1993	Blasbalg	D30/127
5,289,796	A *	3/1994	Armstrong	119/52.3
D351,262	S *	10/1994	Fasino	D30/127
D351,691	S *	10/1994	Lipton	D30/127
5,479,878	A *	1/1996	Coulter	119/51.03
5,701,842	A *	12/1997	Whittles	119/52.2
5,758,596	A *	6/1998	Loiselle	119/52.2
5,893,335	A *	4/1999	Goodwin	119/52.2
5,970,913	A *	10/1999	Bloedorn	119/57.8
6,047,661	A	4/2000	Lush	
6,073,582	A	6/2000	Lush	

D440,361	S *	4/2001	Colwell	D30/124
D448,126	S *	9/2001	Colwell	D30/124
6,453,843	B2 *	9/2002	Bescherer	119/51.01
6,561,128	B1 *	5/2003	Carter	119/57.9
6,591,781	B2 *	7/2003	Hardison	119/57.9
6,701,867	B1 *	3/2004	Garrison	119/57.8
D490,576	S *	5/2004	Rich et al.	D30/128
D503,019	S *	3/2005	Swift et al.	D30/127
7,185,605	B1	3/2007	Lush	
7,198,004	B1	4/2007	Lush	
7,237,507	B1 *	7/2007	Colwell	119/51.01
7,503,282	B1	3/2009	Lush	
7,739,982	B2 *	6/2010	Cote	119/57.9
2001/0032592	A1 *	10/2001	Bescherer	119/51.01
2003/0033985	A1 *	2/2003	Hardison	119/57.9
2006/0260553	A1 *	11/2006	Cote	119/57.8
2006/0288944	A1 *	12/2006	Hoff	119/57.9
2008/0134979	A1 *	6/2008	Crocker	119/51.5
2008/0156268	A1 *	7/2008	Greenwood et al.	119/51.01
2010/0288201	A1 *	11/2010	Lush	119/52.4

\* cited by examiner

*Primary Examiner* — Susan Moon Lee

(74) *Attorney, Agent, or Firm* — Dennis L. Thomte; Thomte Patent Law Office LLC

(57) **CLAIM**

The ornamental design for a bird feeder, as shown and described.

**DESCRIPTION**

FIG. 1 is a front perspective view of the bird feeder of this invention;

FIG. 2 is a top view of the bird feeder of FIG. 1;

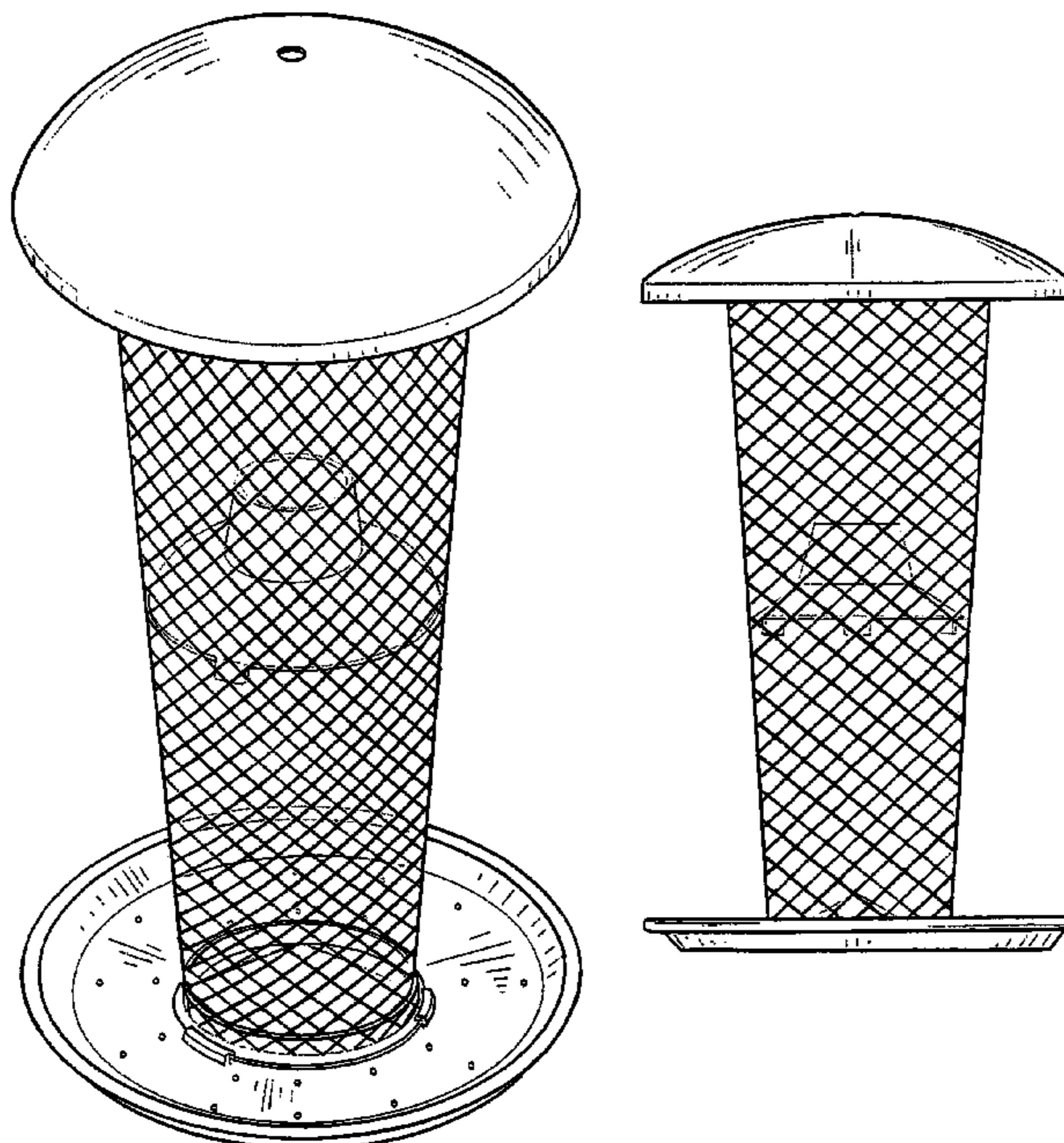
FIG. 3 is a front view of the bird feeder of FIG. 1;

FIG. 4 is a side view of the bird feeder of FIG. 1;

FIG. 5 is a back view of the bird feeder of FIG. 1; and,

FIG. 6 is a bottom view of the bird feeder of FIG. 1.

**1 Claim, 3 Drawing Sheets**



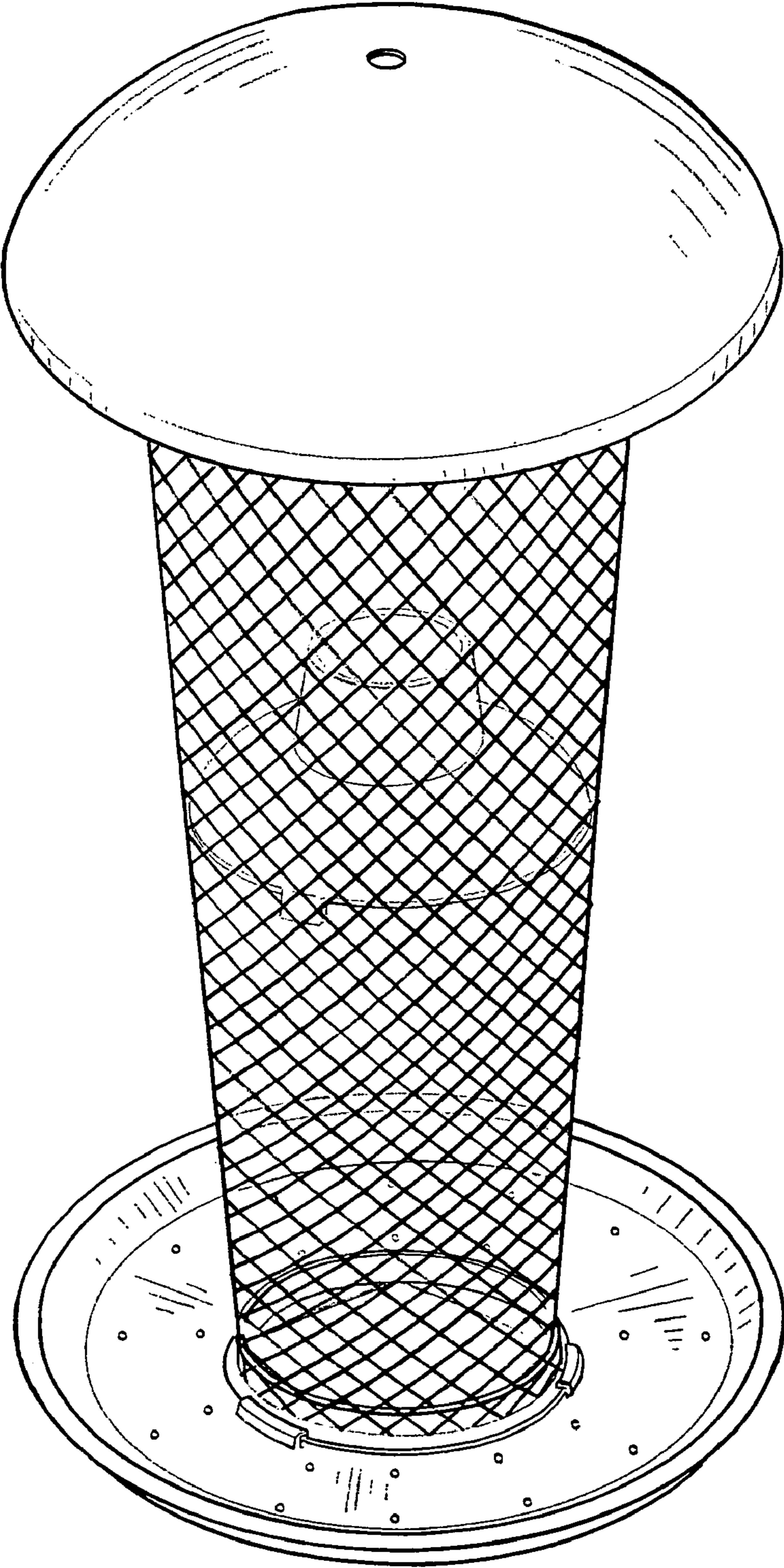


FIG. 1

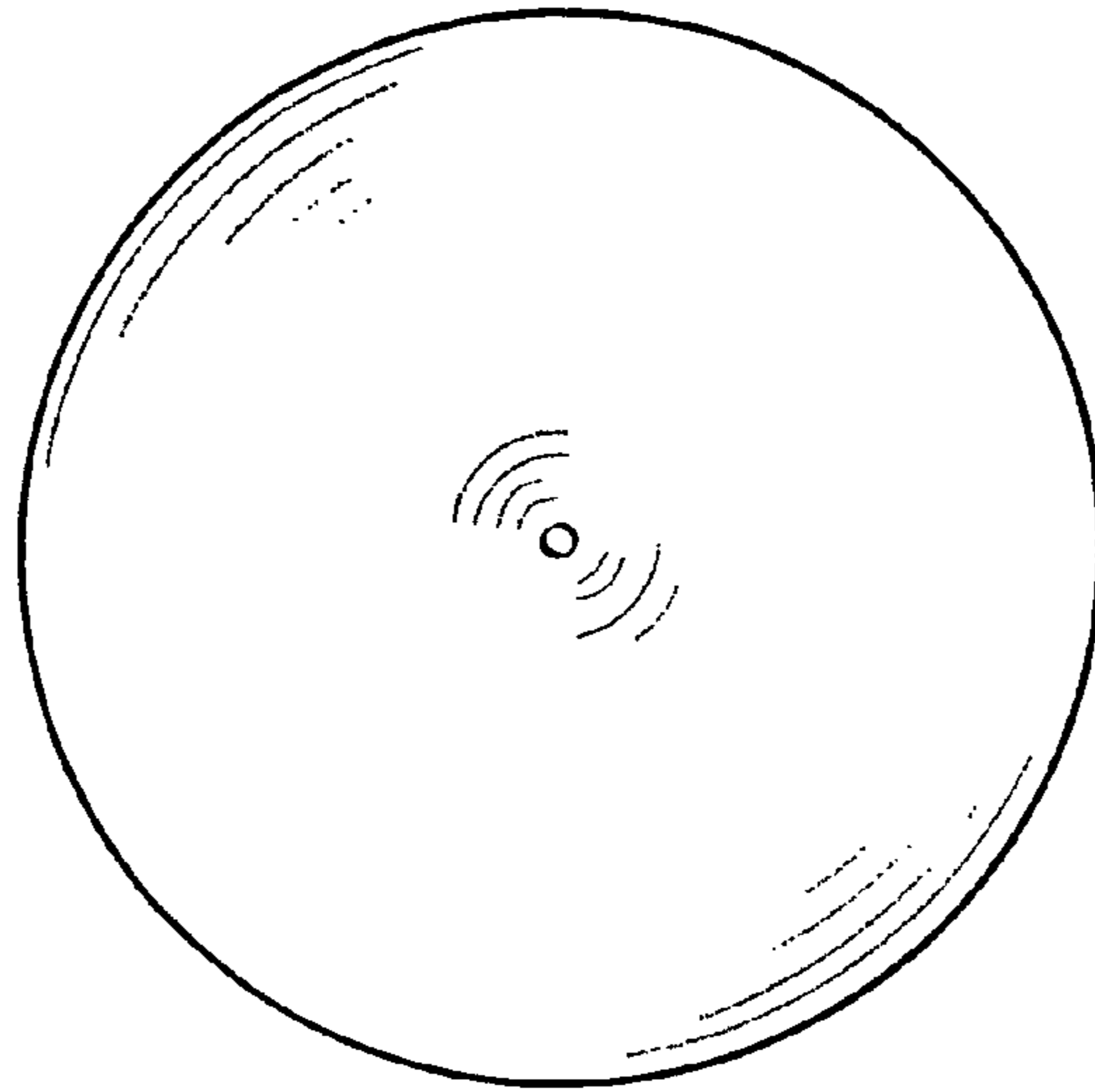


FIG. 2

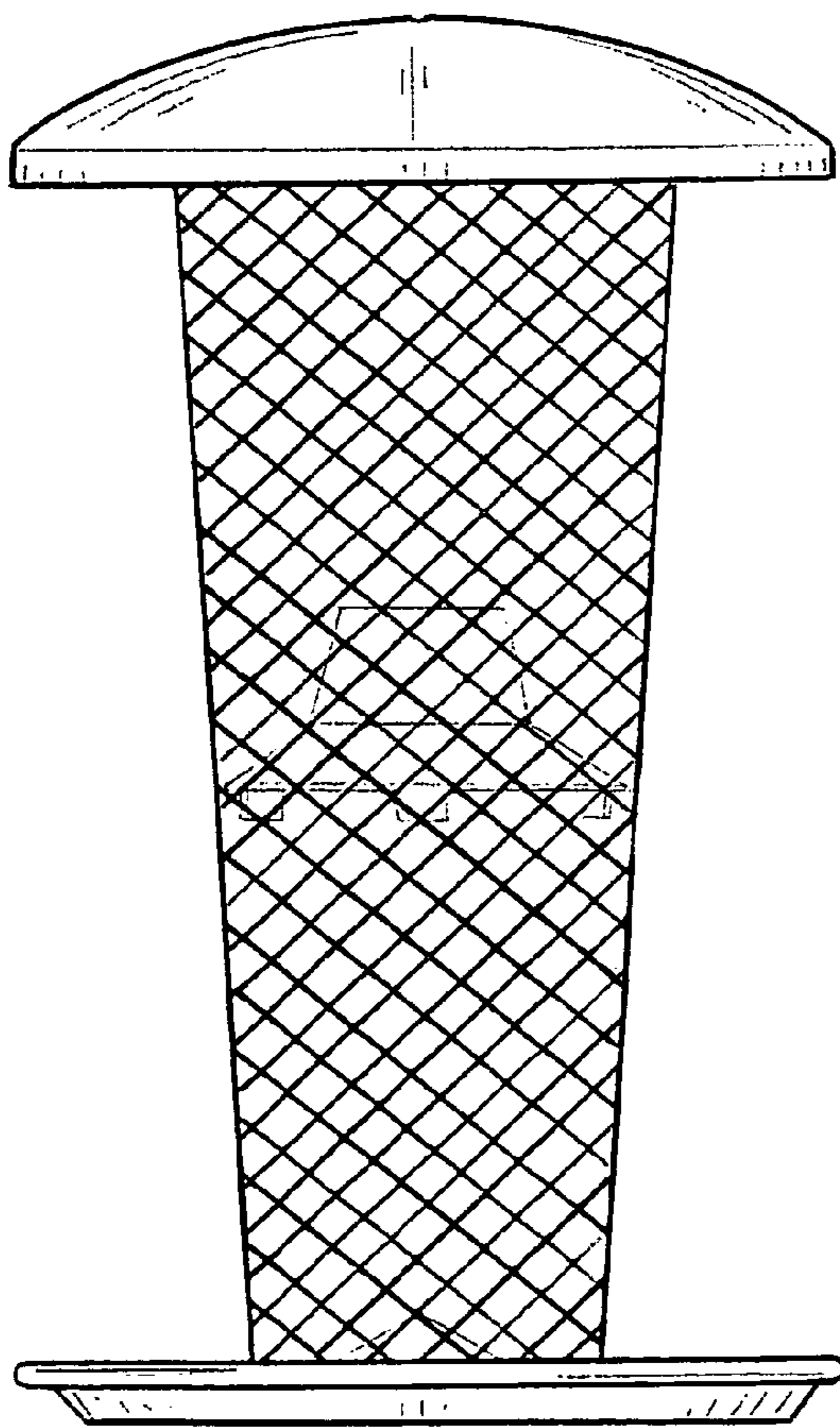


FIG. 3

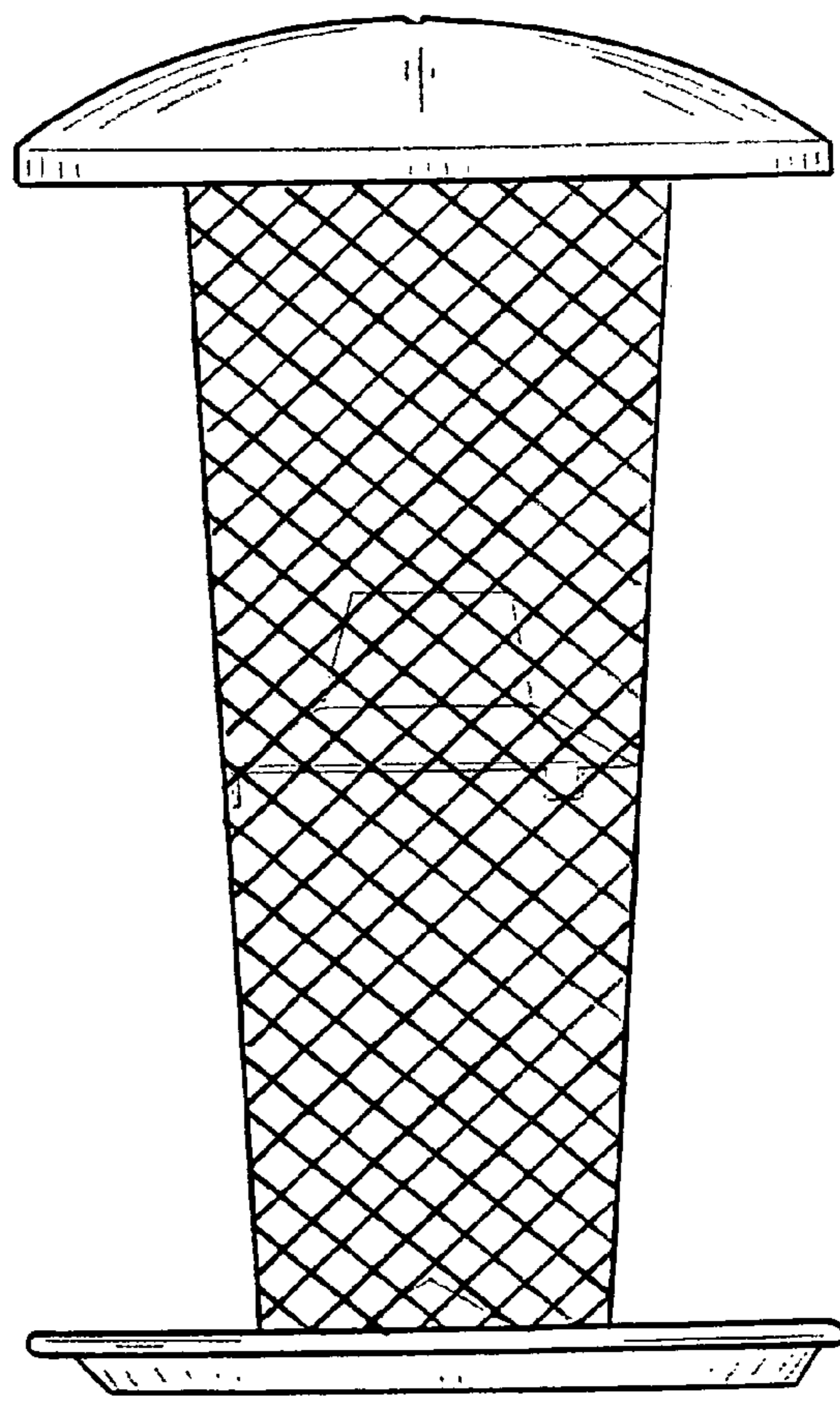


FIG. 4

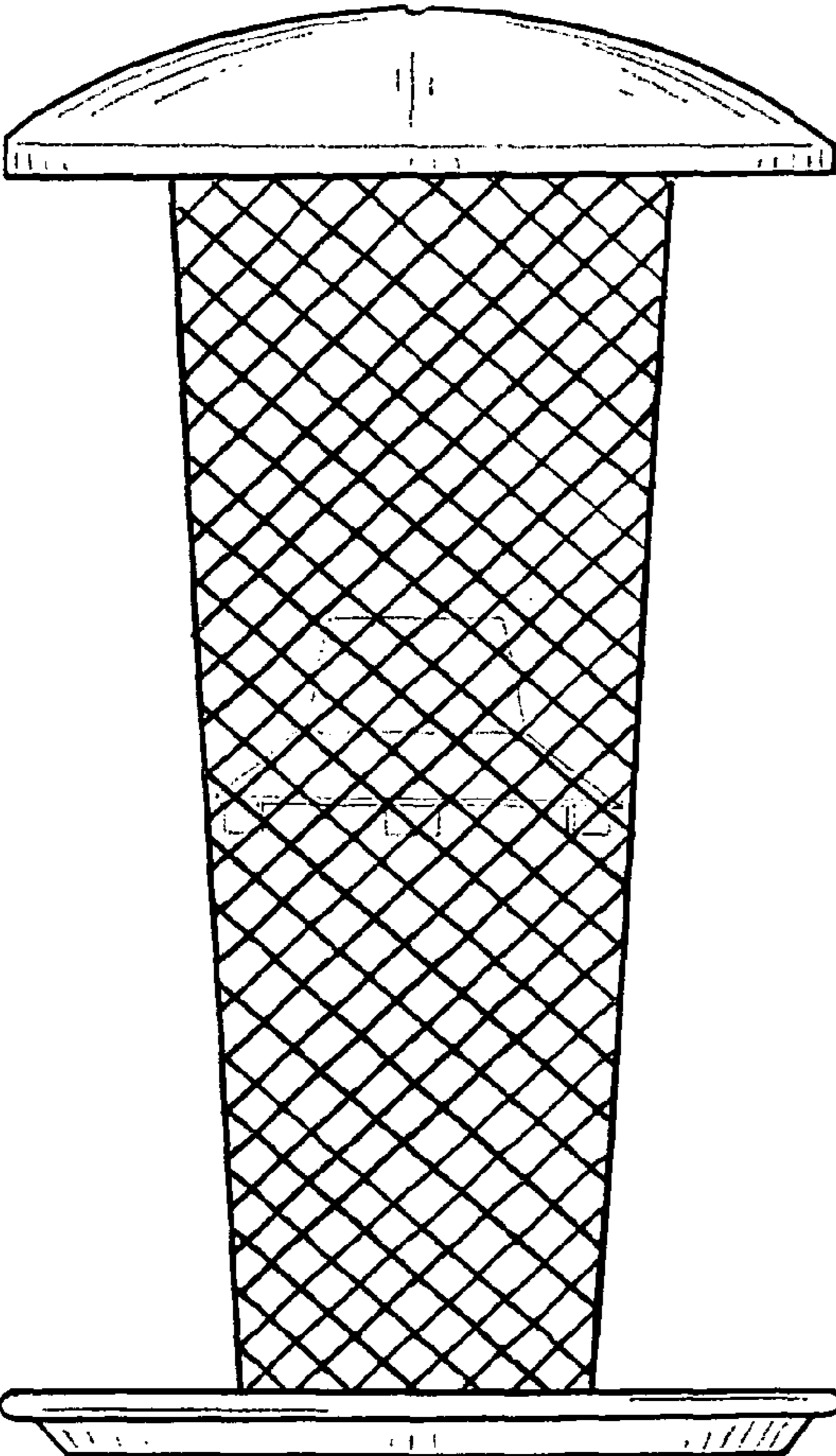


FIG. 5

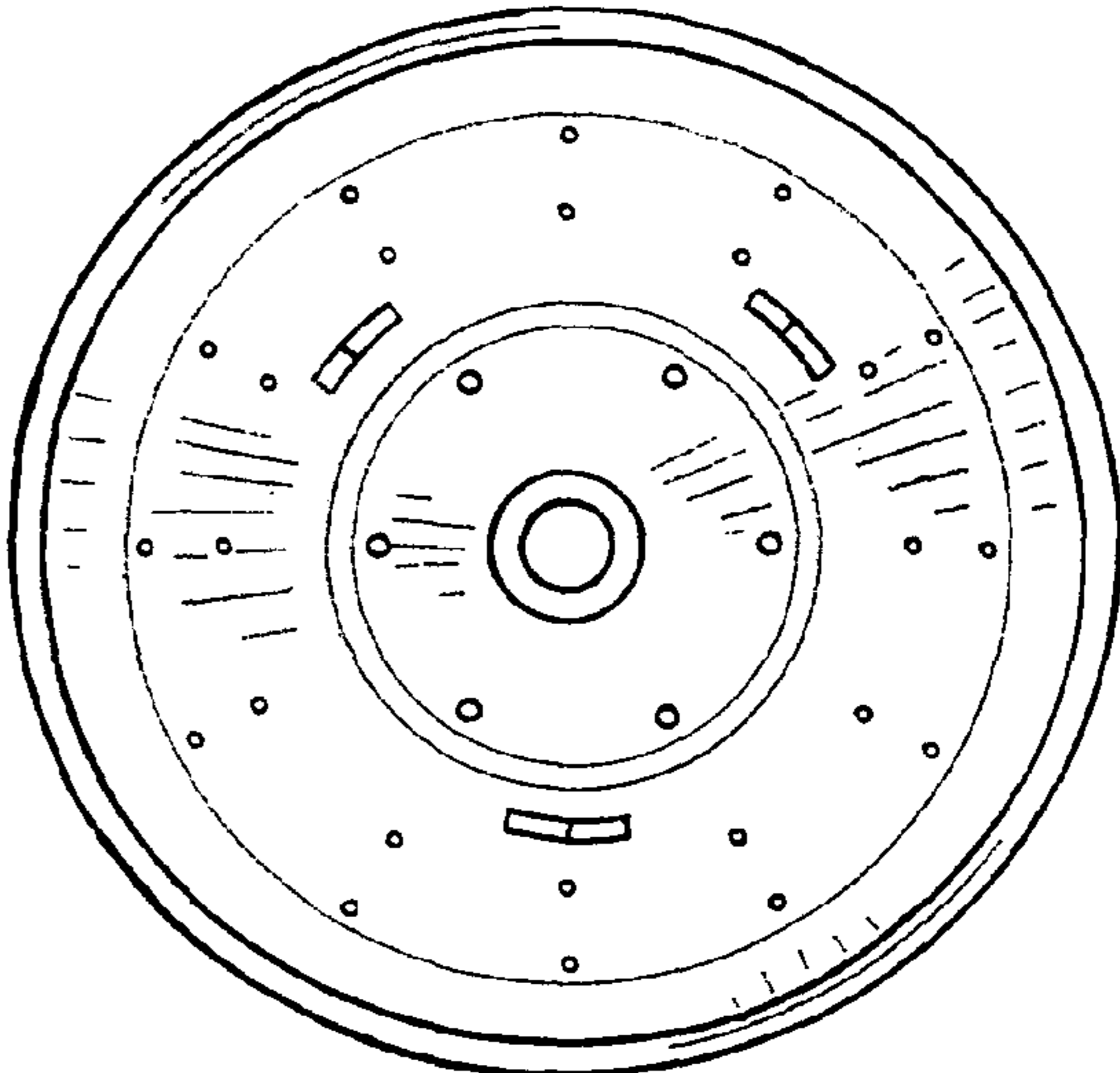


FIG. 6