



US00D649295S

(12) **United States Design Patent**
Clishe et al.

(10) **Patent No.:** **US D649,295 S**

(45) **Date of Patent:** **** Nov. 22, 2011**

(54) **FIRE EXTINGUISHER VALVE ASSEMBLY**

4,019,584 A * 4/1977 Allmendinger 169/74
D244,702 S * 6/1977 Montambo D29/129
D272,081 S * 1/1984 Suhajda et al. D23/226

(75) Inventors: **Joel A. Clishe**, Escanaba, MI (US);
Todd R. Aerts, Menominee, MI (US)

* cited by examiner

(73) Assignee: **Tyco Fire Products LLP**, Lansdale, PA
(US)

Primary Examiner — Susan Bennett Hattan
Assistant Examiner — Barbara Blanton Lohr

(**) Term: **14 Years**

(74) *Attorney, Agent, or Firm* — Brinks Hofer Gilson &
Lione

(21) Appl. No.: **29/386,013**

(57) **CLAIM**
The ornamental design for a fire extinguisher valve assembly,
as shown and described.

(22) Filed: **Feb. 23, 2011**

DESCRIPTION

(51) **LOC (9) Cl.** **29-01**

(52) **U.S. Cl.** **D29/129**

(58) **Field of Classification Search** D29/1,
D29/2, 3, 4, 5, 122, 129; D16/2; D23/17,
D23/18, 226; 169/30, 31, 70, 71, 74, 75,
169/77, 78, 88, 89; 222/471, 472, 473, 475;
239/332, 333, 525, 526, 527, 528; D8/247;
D32/2 A; D9/275, 291; 137/328; 251/239

See application file for complete search history.

FIG. 1 is a top front perspective view of our new, original and
ornamental design for a fire extinguisher valve assembly;
FIG. 2 is a rear elevation view thereof;
FIG. 3 is a front elevation view thereof;
FIG. 4 is a front end view thereof; and
FIG. 5 is a rear end view thereof.
FIG. 6 is a top plan view thereof;
FIG. 7 is a bottom plan view thereof; and,
FIG. 8 is top front perspective view of the fire extinguisher
valve assembly and canister.

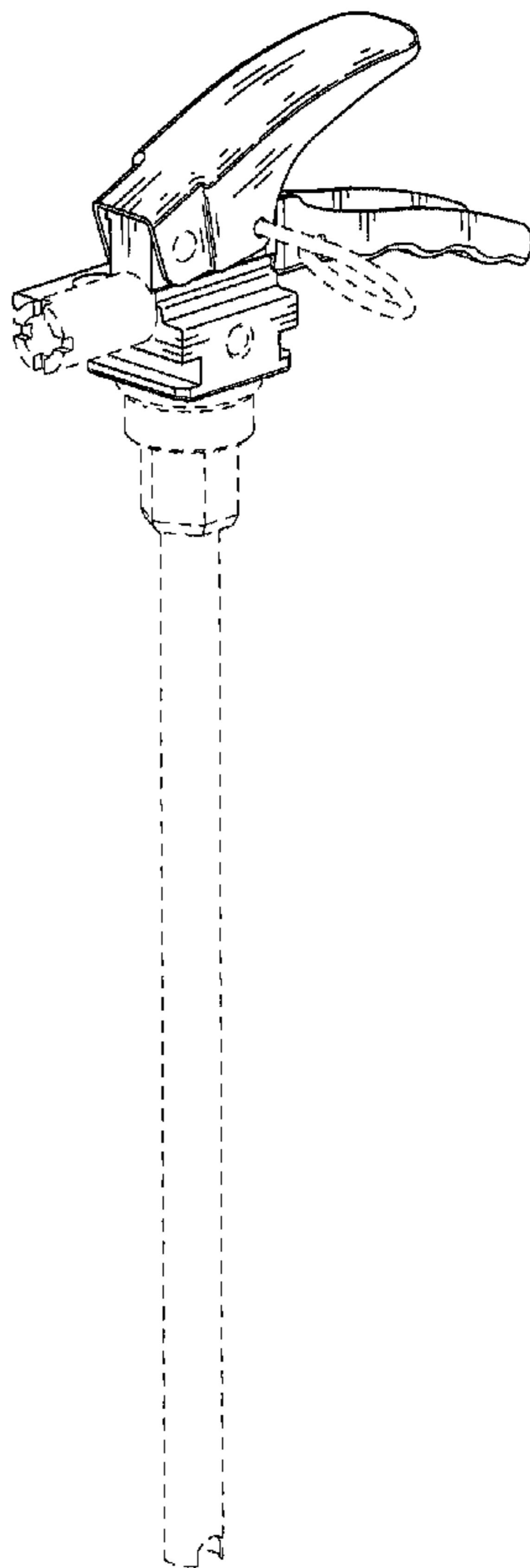
The broken lines in the drawings are for illustrative purposes
only and form no part of the claimed design. The shading lines
in the drawings show contour and are not intended to indicate
surface ornamentation.

(56) **References Cited**

U.S. PATENT DOCUMENTS

D183,520 S * 9/1958 Huthsing D29/129
3,011,514 A * 12/1961 Huthsing, Sr. 137/328
3,041,038 A * 6/1962 Yocum 251/239
D207,665 S * 5/1967 Howard D25/122

1 Claim, 5 Drawing Sheets



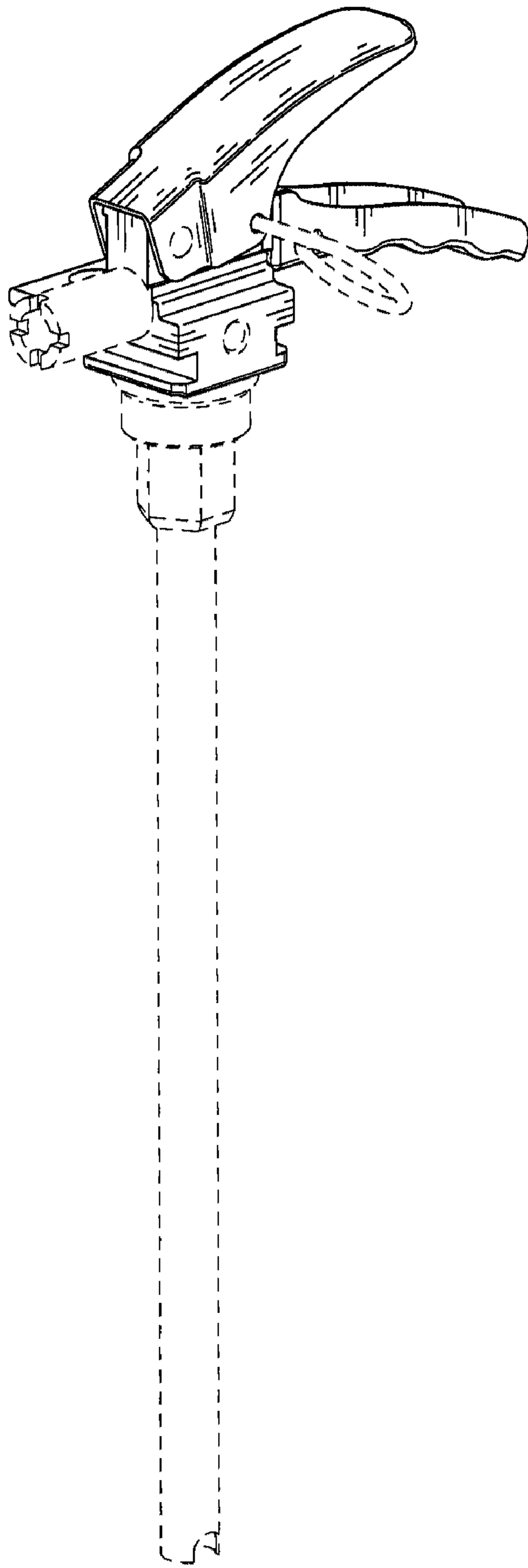


FIG. 1

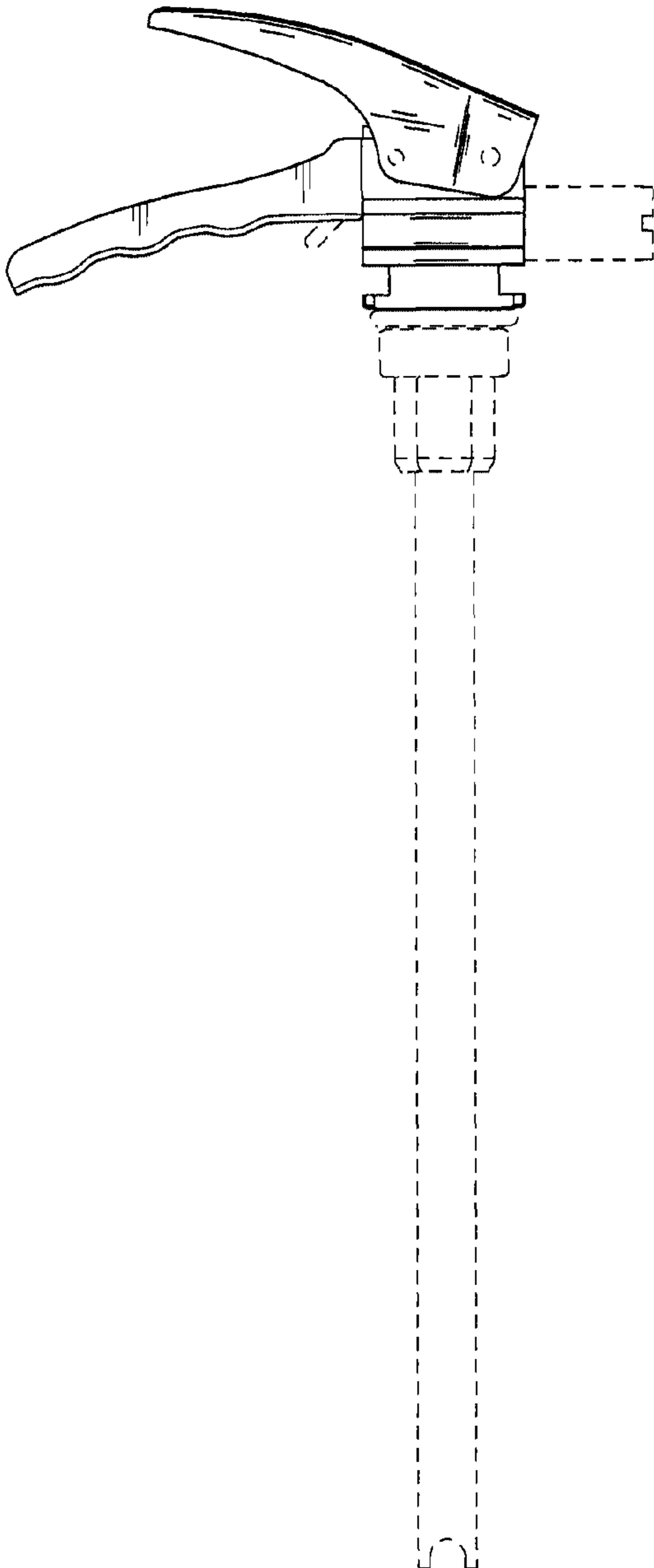


FIG. 2

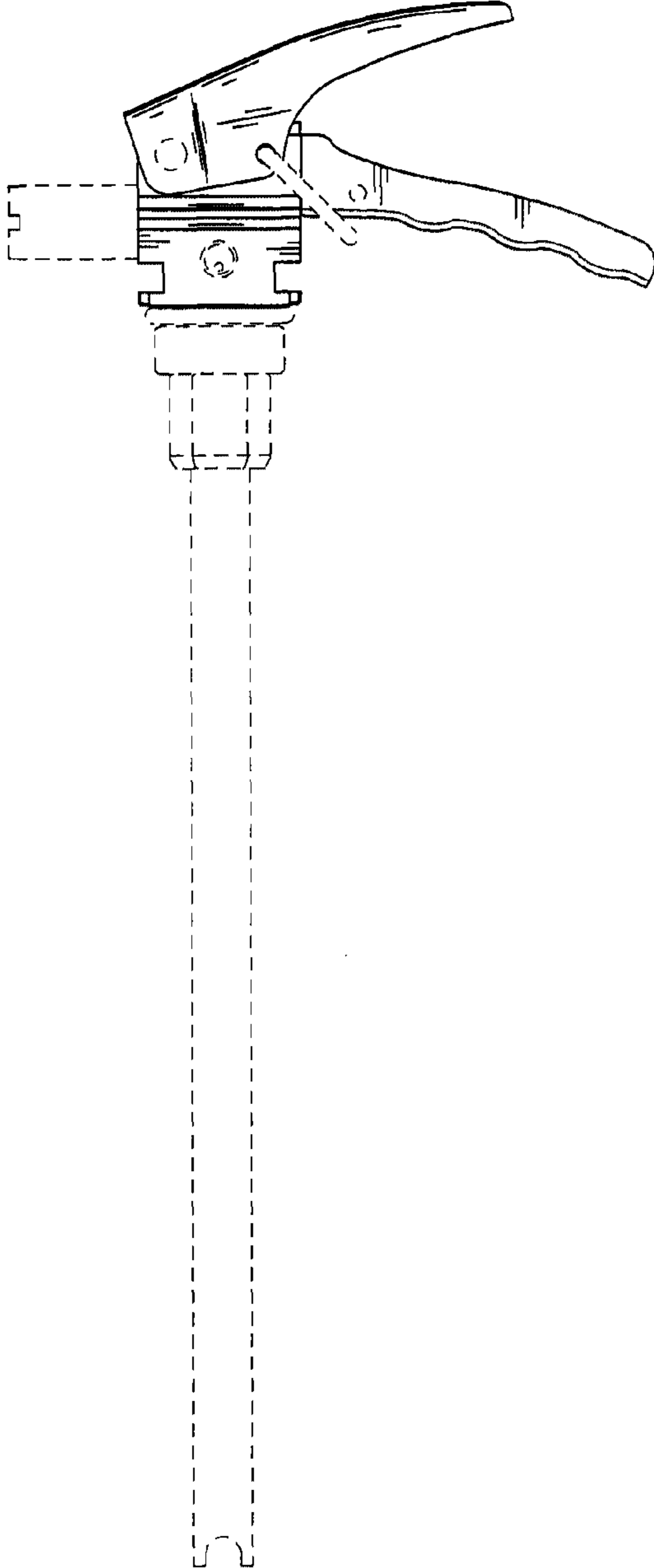


FIG. 3

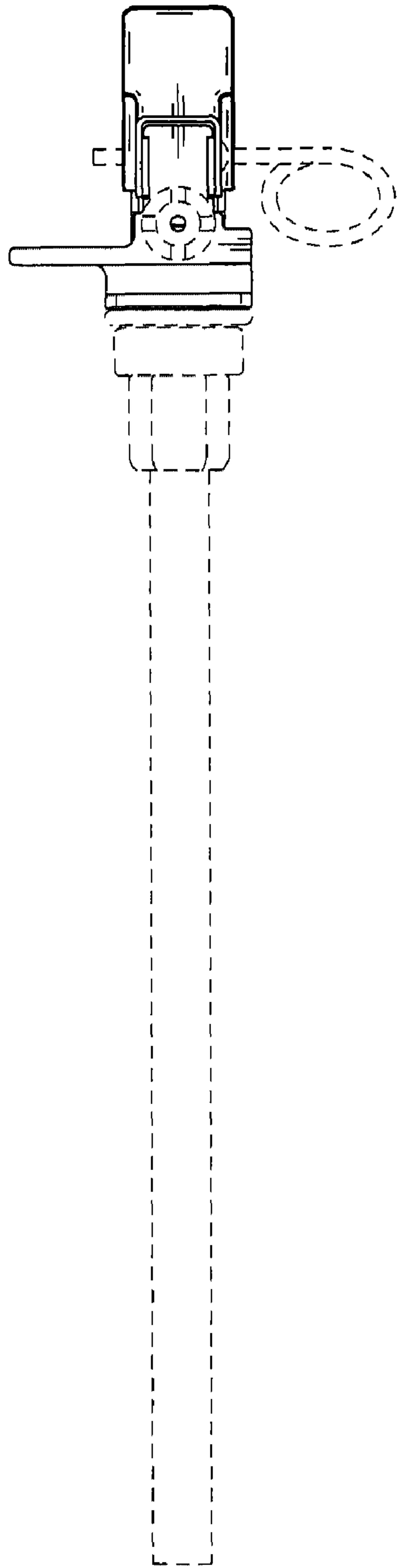


FIG. 4

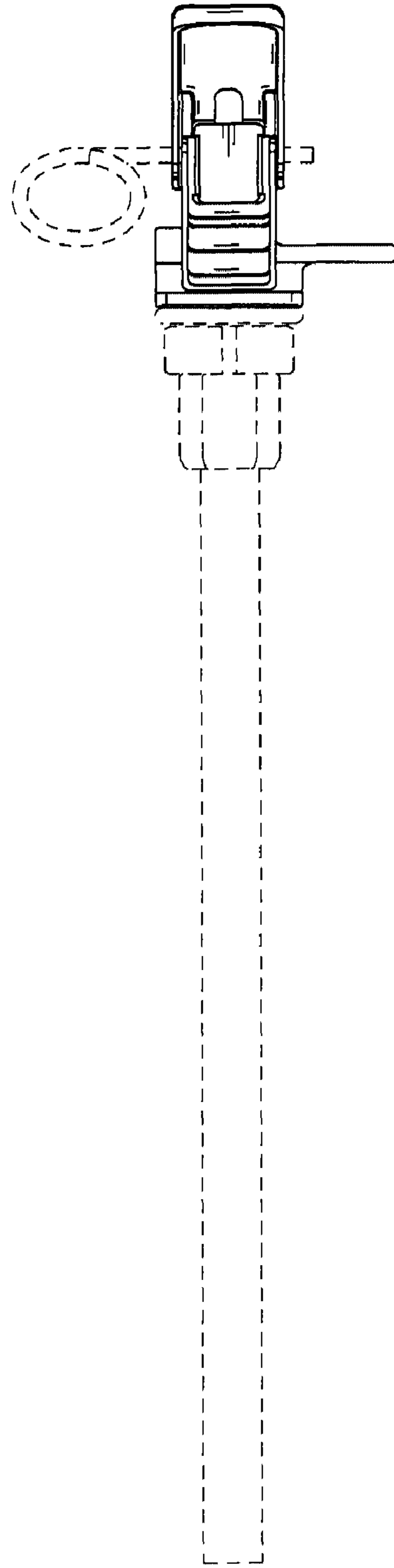


FIG. 5

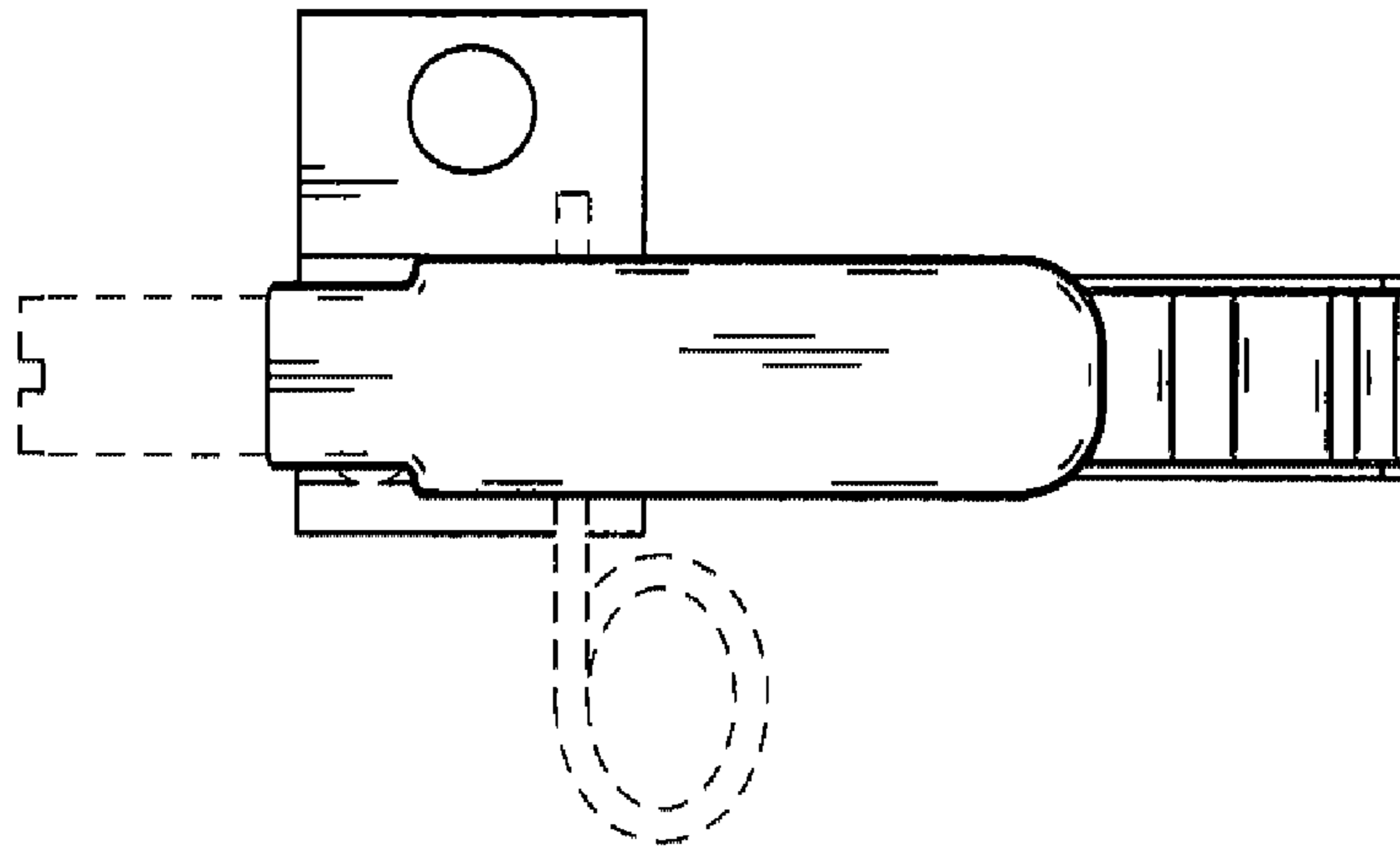


FIG. 6

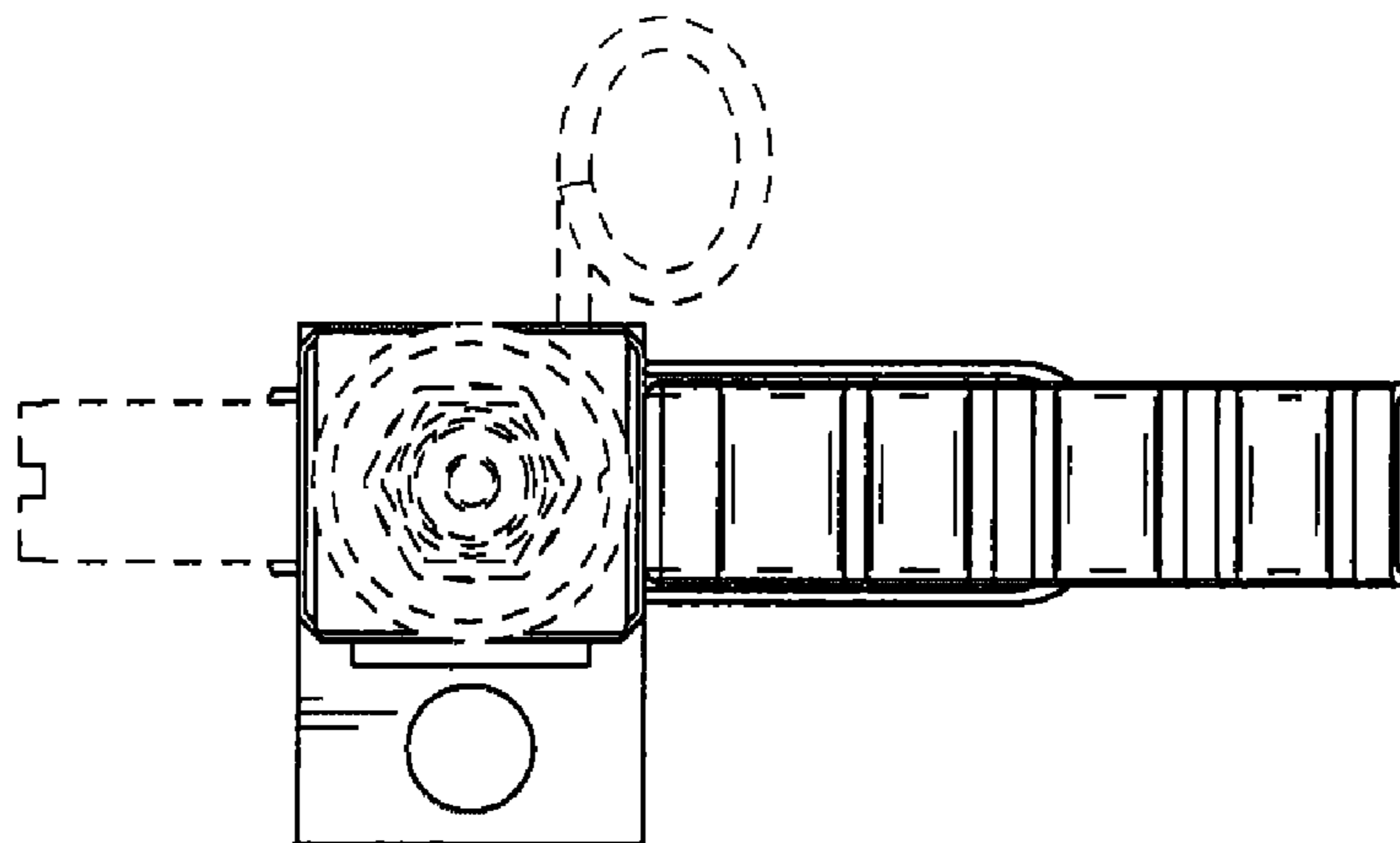


FIG. 7

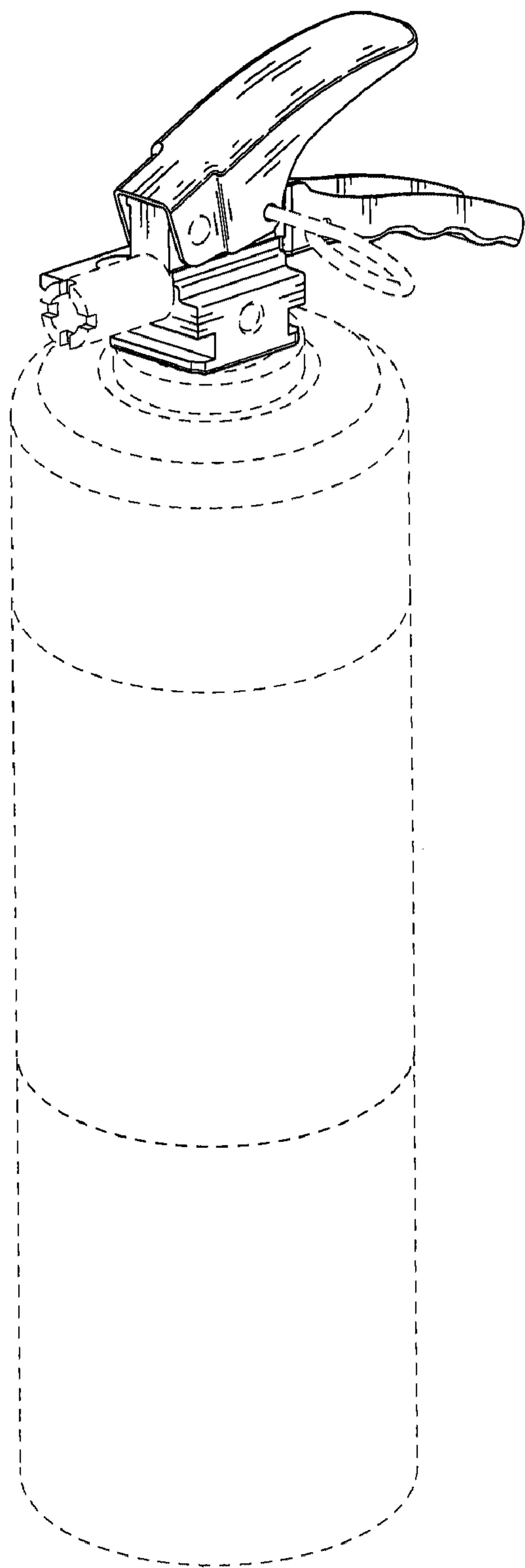


FIG. 8