

US00D649294S

(12) **United States Design Patent**
Cordani

(10) **Patent No.:** **US D649,294 S**

(45) **Date of Patent:** **** Nov. 22, 2011**

(54) **FIREHOSE EDUCTOR**

(75) Inventor: **Peter Cordani**, Palm Beach Gardens, FL
(US)

(73) Assignee: **GelTech Solutions, Inc.**, Jupiter, FL
(US)

(**) Term: **14 Years**

(21) Appl. No.: **29/375,350**

(22) Filed: **Sep. 21, 2010**

(51) **LOC (9) Cl.** **29-01**

(52) **U.S. Cl.** **D29/129**

(58) **Field of Classification Search** D29/125,
D29/129, 130; 169/5, 15, 16, 26, 30, 35,
169/37, 44, 46, 48, 54, 72, 74, 88, 89; 422/263,
422/273; 229/307, 308; D15/7; 239/525,
239/530-532; D23/200, 207, 208, 233, 266,
D23/263

See application file for complete search history.

(56) **References Cited**

U.S. PATENT DOCUMENTS

D227,883 S *	7/1973	Huthsing	D29/129
D268,956 S *	5/1983	DuFresne	D29/129
D364,488 S *	11/1995	Nasin	D29/129
D502,757 S *	3/2005	Mork et al.	D23/207
D540,906 S *	4/2007	Hardwick	D23/208
D541,901 S *	5/2007	Baarman et	D23/207
D586,508 S *	2/2009	Strand	D29/129

D613,818 S *	4/2010	Kojima	D23/200
D622,347 S *	8/2010	Adey	D23/207
D625,771 S *	10/2010	Kojima	D23/200

* cited by examiner

Primary Examiner — Susan Bennett Hattan

Assistant Examiner — Barbara B Lohr

(74) *Attorney, Agent, or Firm* — McHale & Slavin, P.A.

(57) **CLAIM**

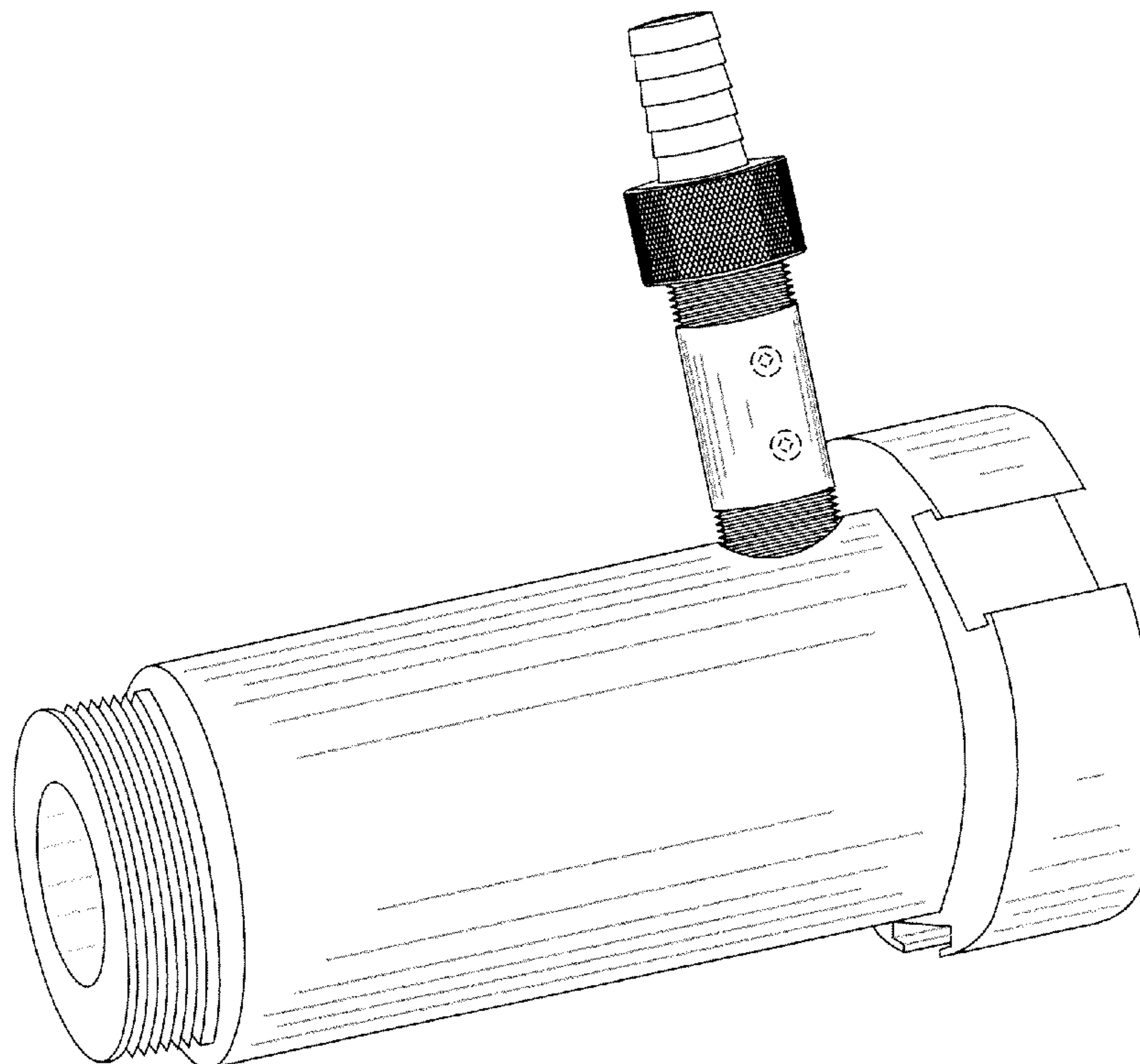
The ornamental design for a firehose eductor, as shown and described.

DESCRIPTION

FIG. 1 is a perspective view of the firehose eductor;
FIG. 2 is a front view thereof;
FIG. 3 is an end view thereof;
FIG. 4 is a right side view thereof;
FIG. 5 is a left side view thereof;
FIG. 6 is a top view thereof;
FIG. 7 is a bottom view thereof;
FIG. 8 is a top view of the internal nozzle;
FIG. 9 is a cross sectional side view of the internal nozzle;
FIG. 10 is a side view of an internal nozzle; and,
FIG. 11 is a perspective view with the check valve and nozzle
in an exploded view.

The broken lines shown in the figures (portions of the design shown in broken/dashed lines) are included for the purpose of illustrating environment and form no part of the claimed design.

1 Claim, 9 Drawing Sheets



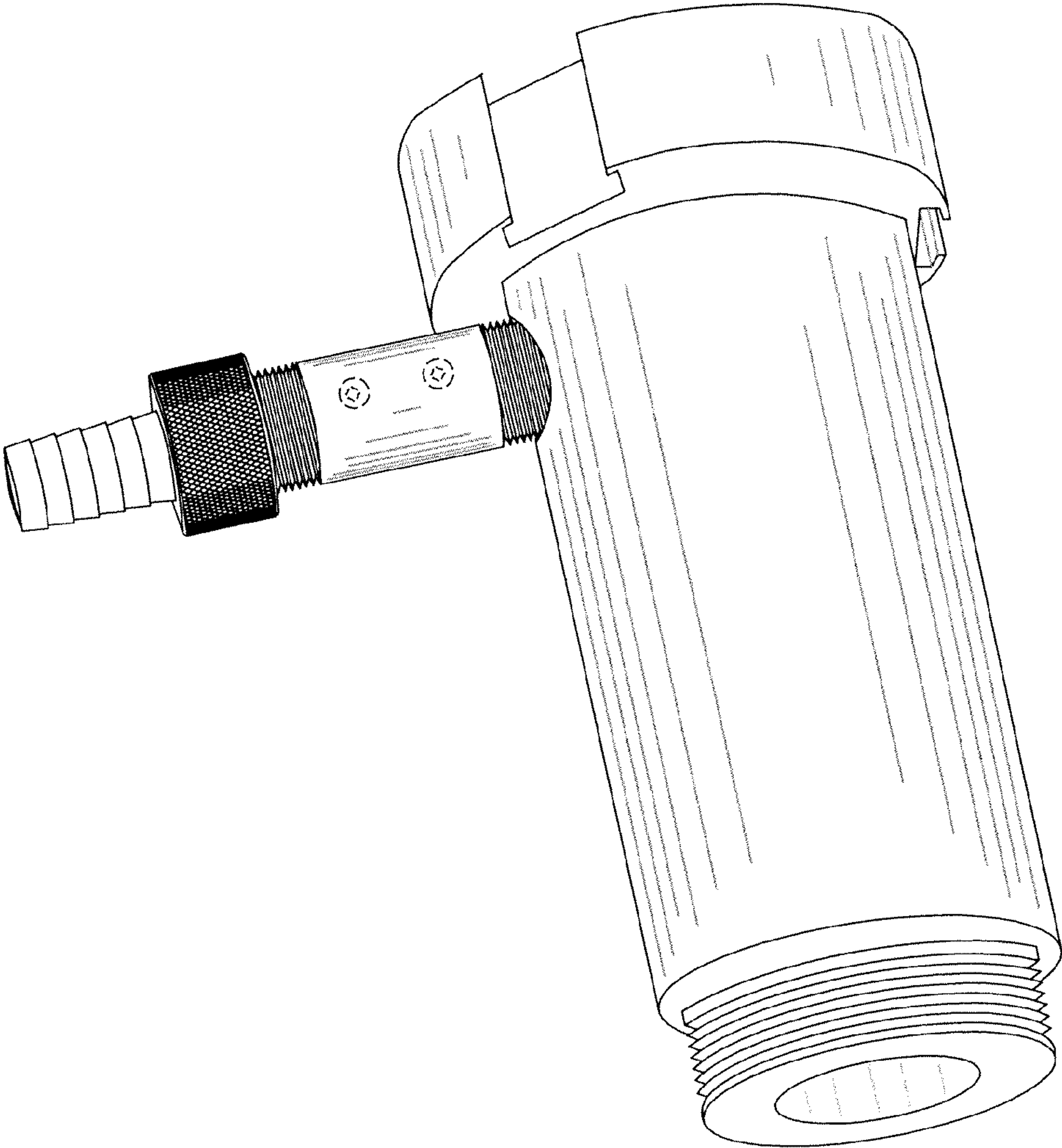


FIG. 1

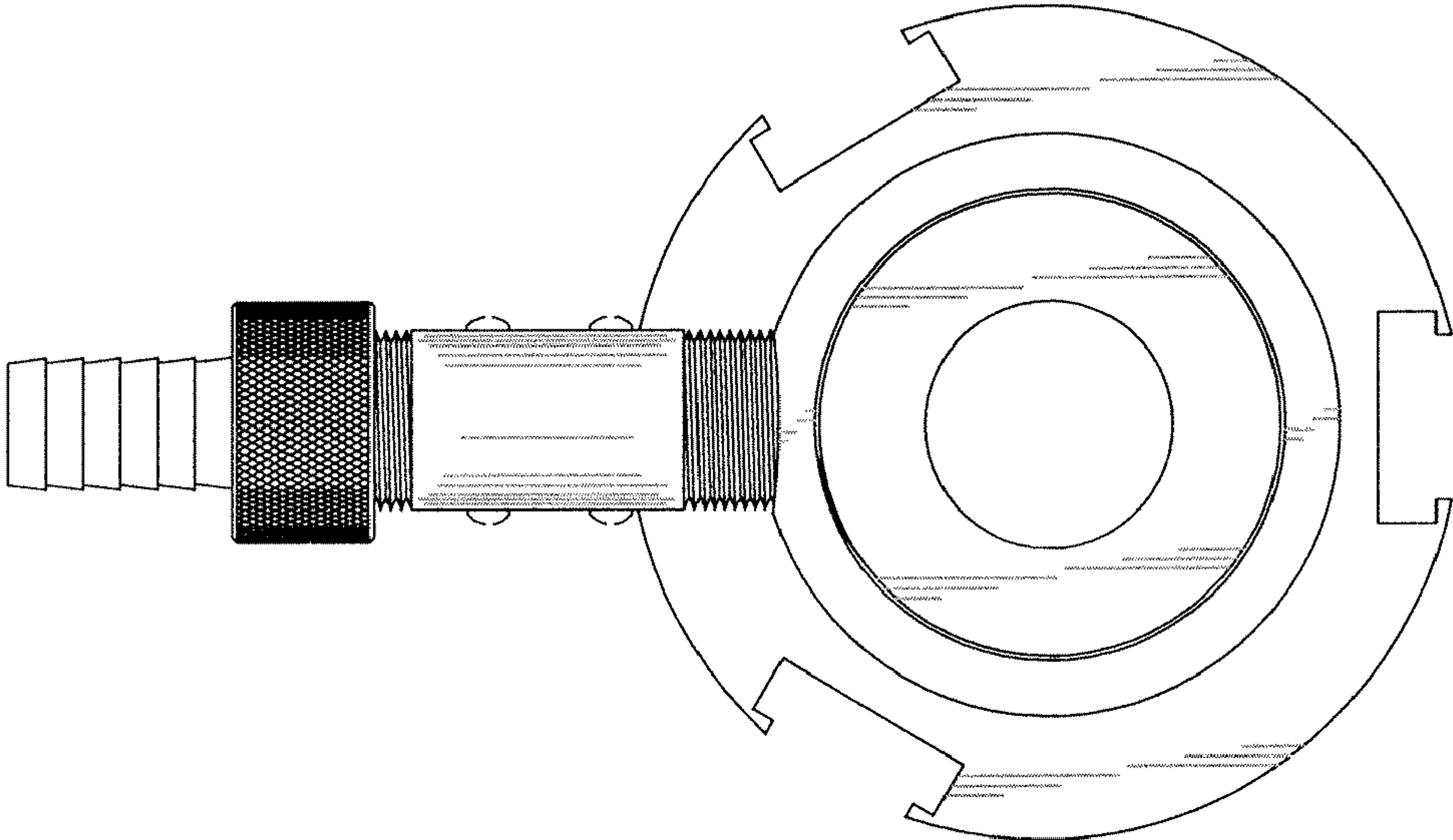


FIG. 2

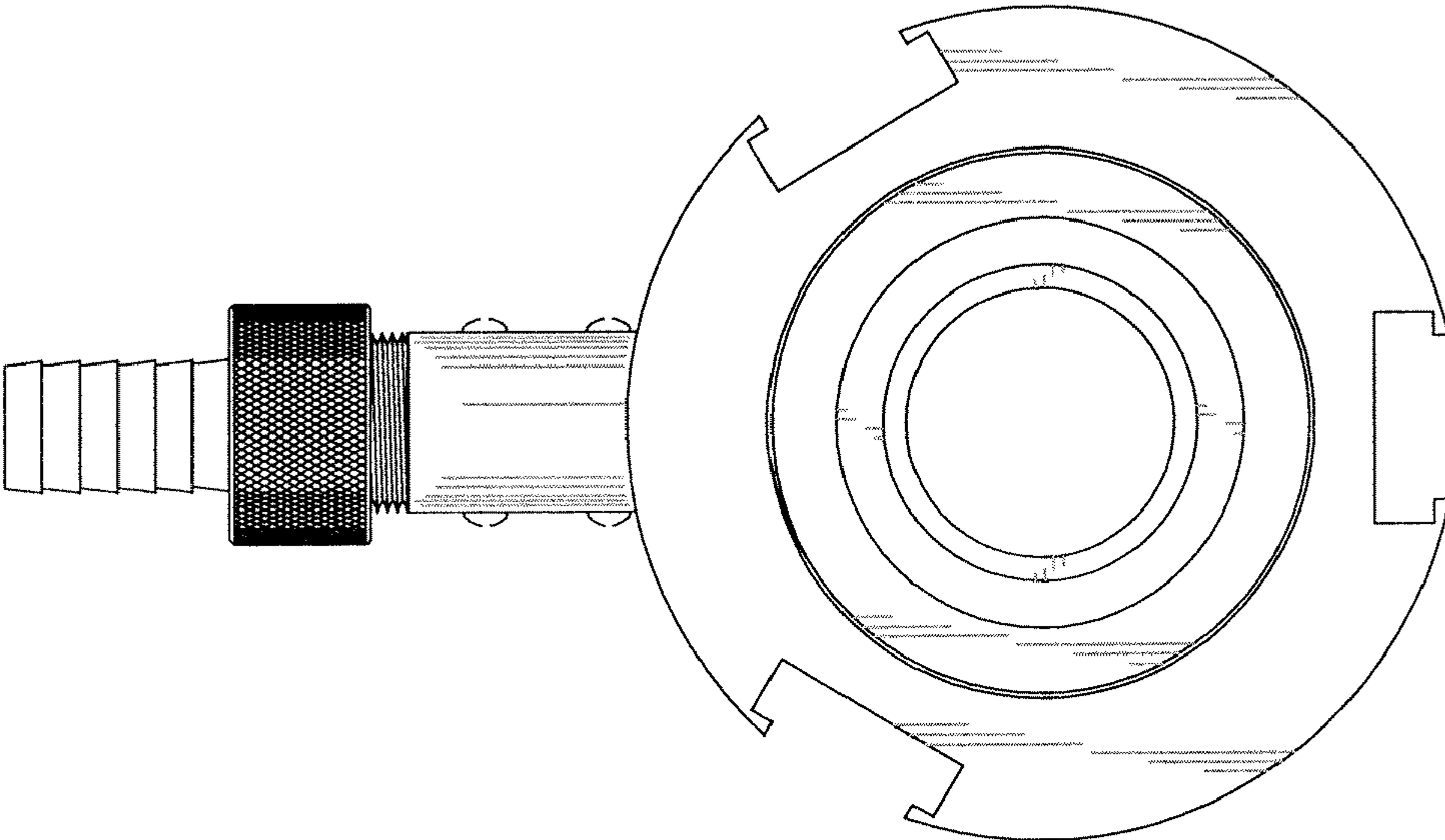


FIG. 3

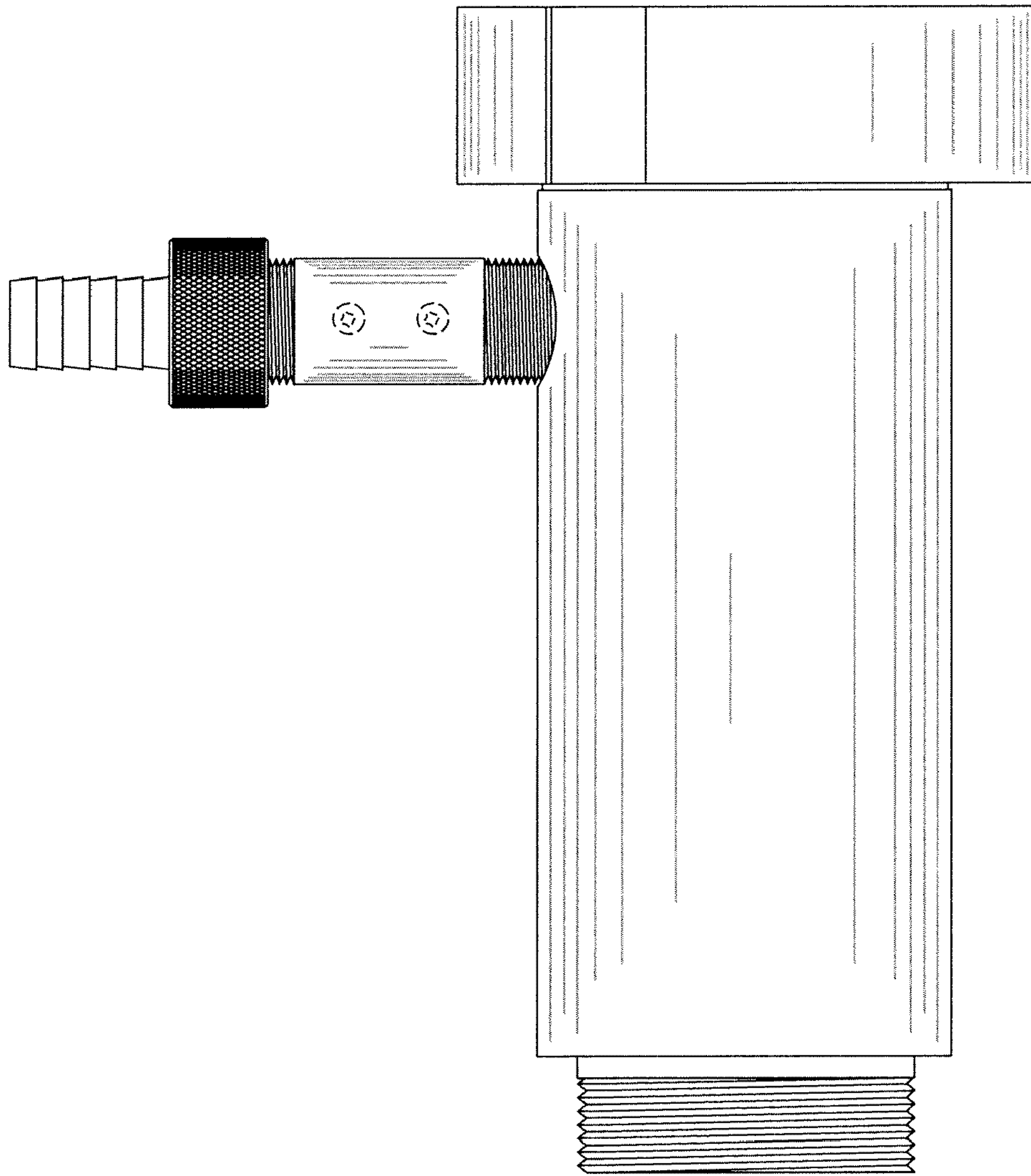


FIG. 4

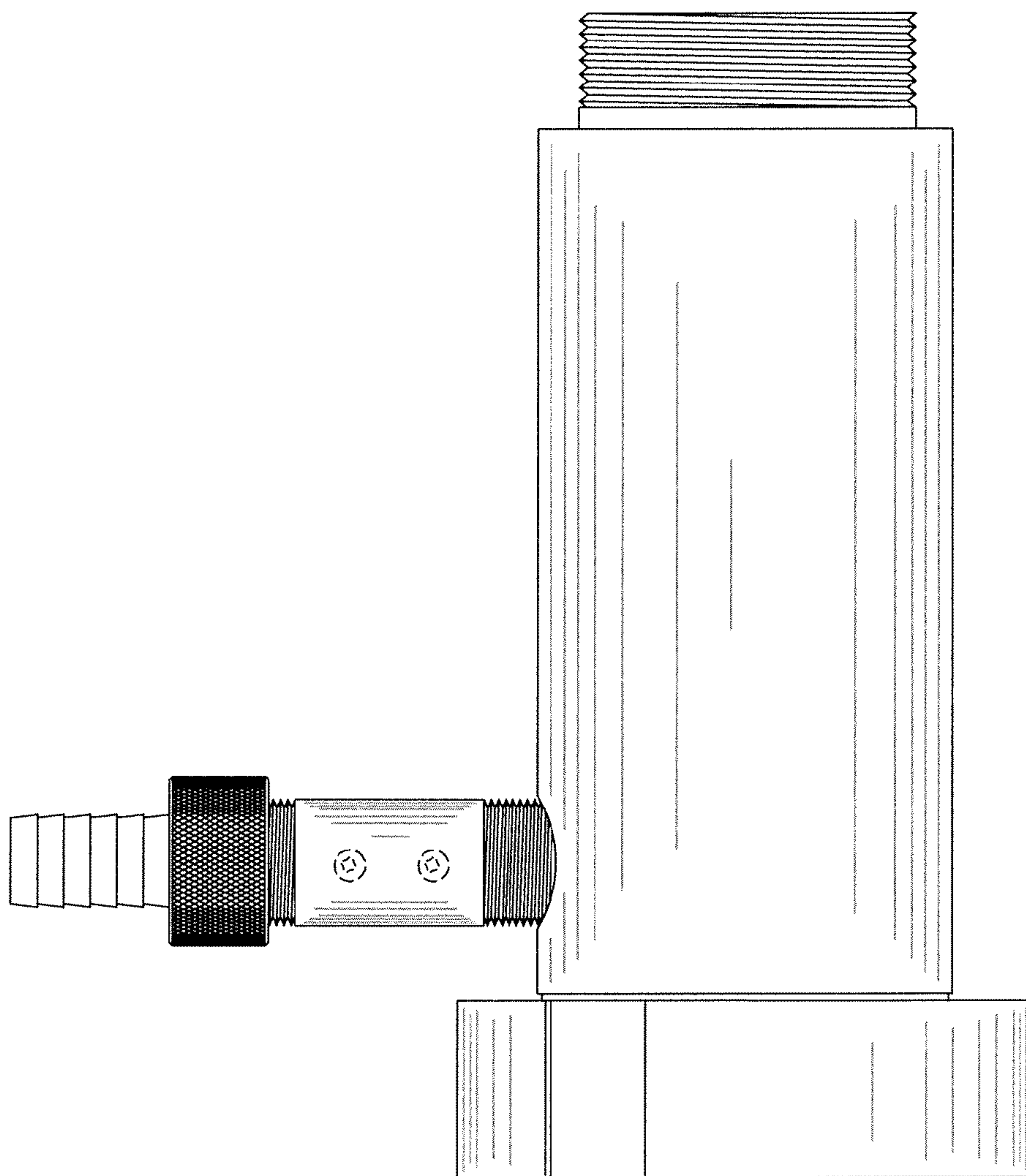


FIG. 5

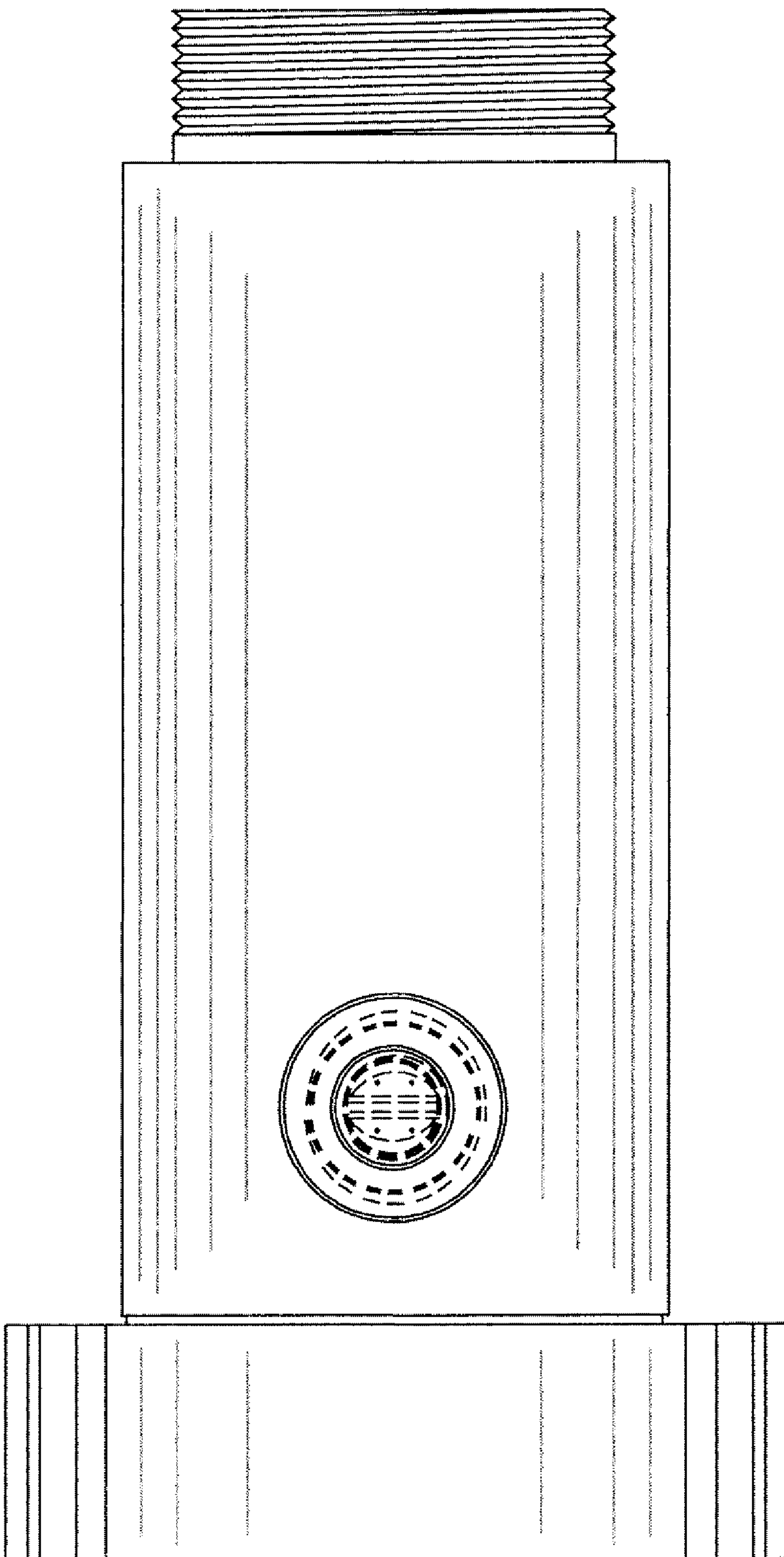


FIG. 6

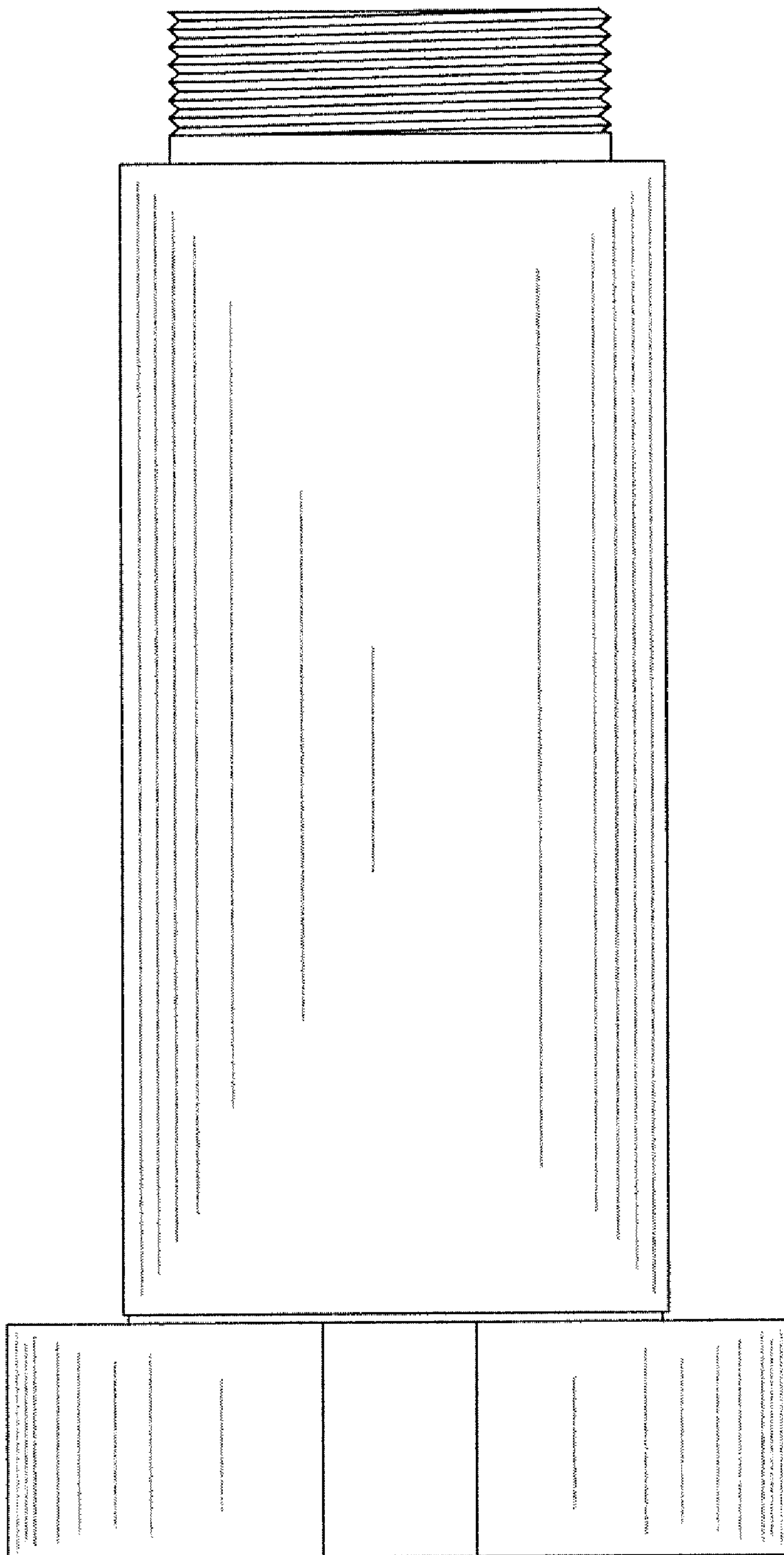


FIG. 7

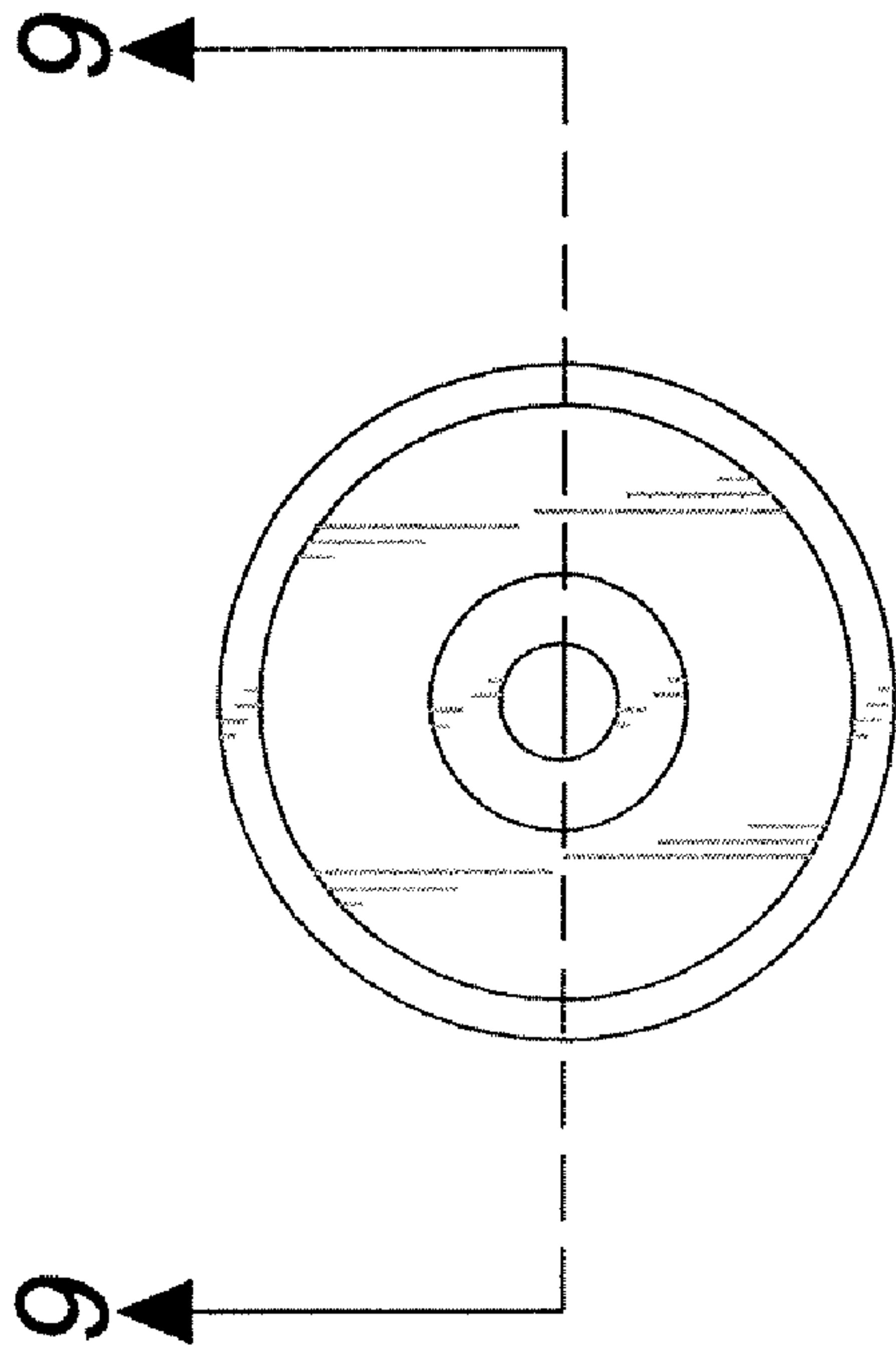


FIG. 8

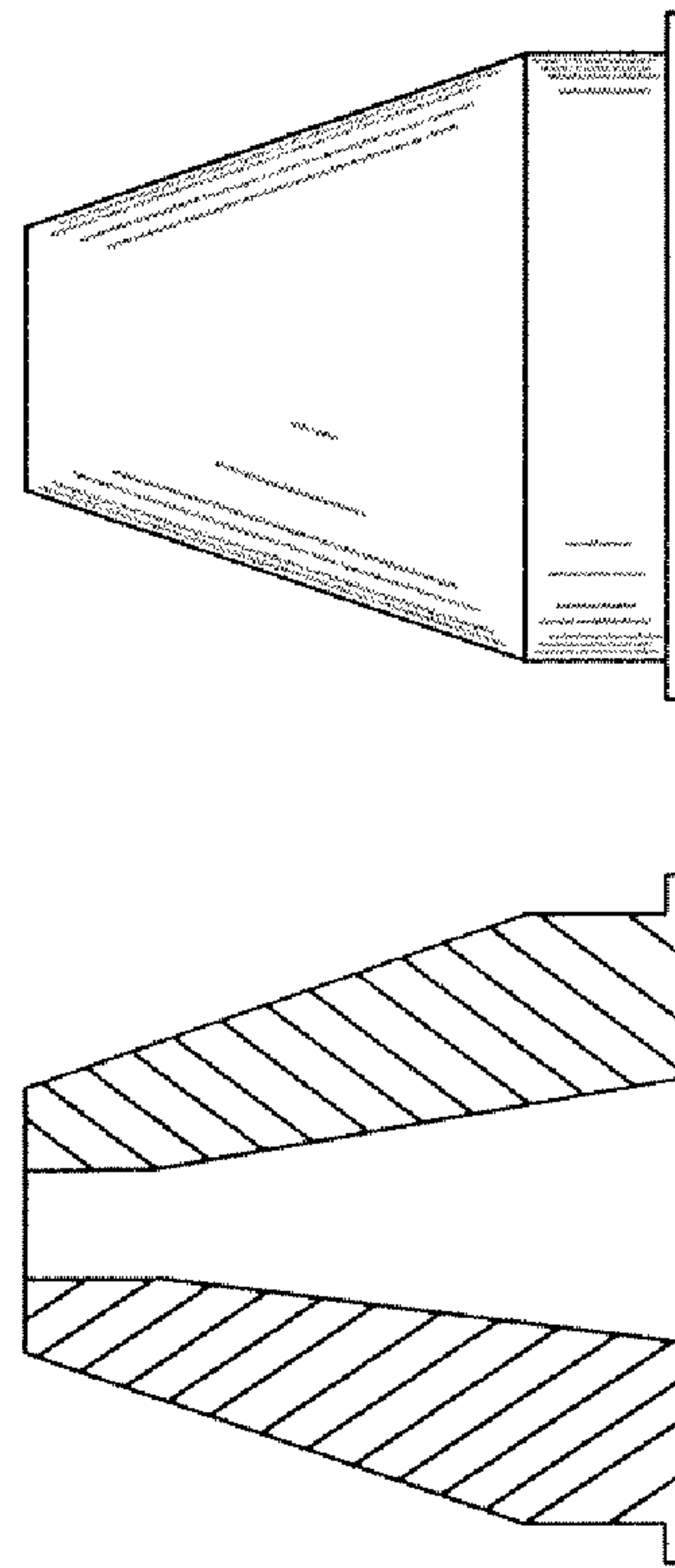


FIG. 9 FIG. 10

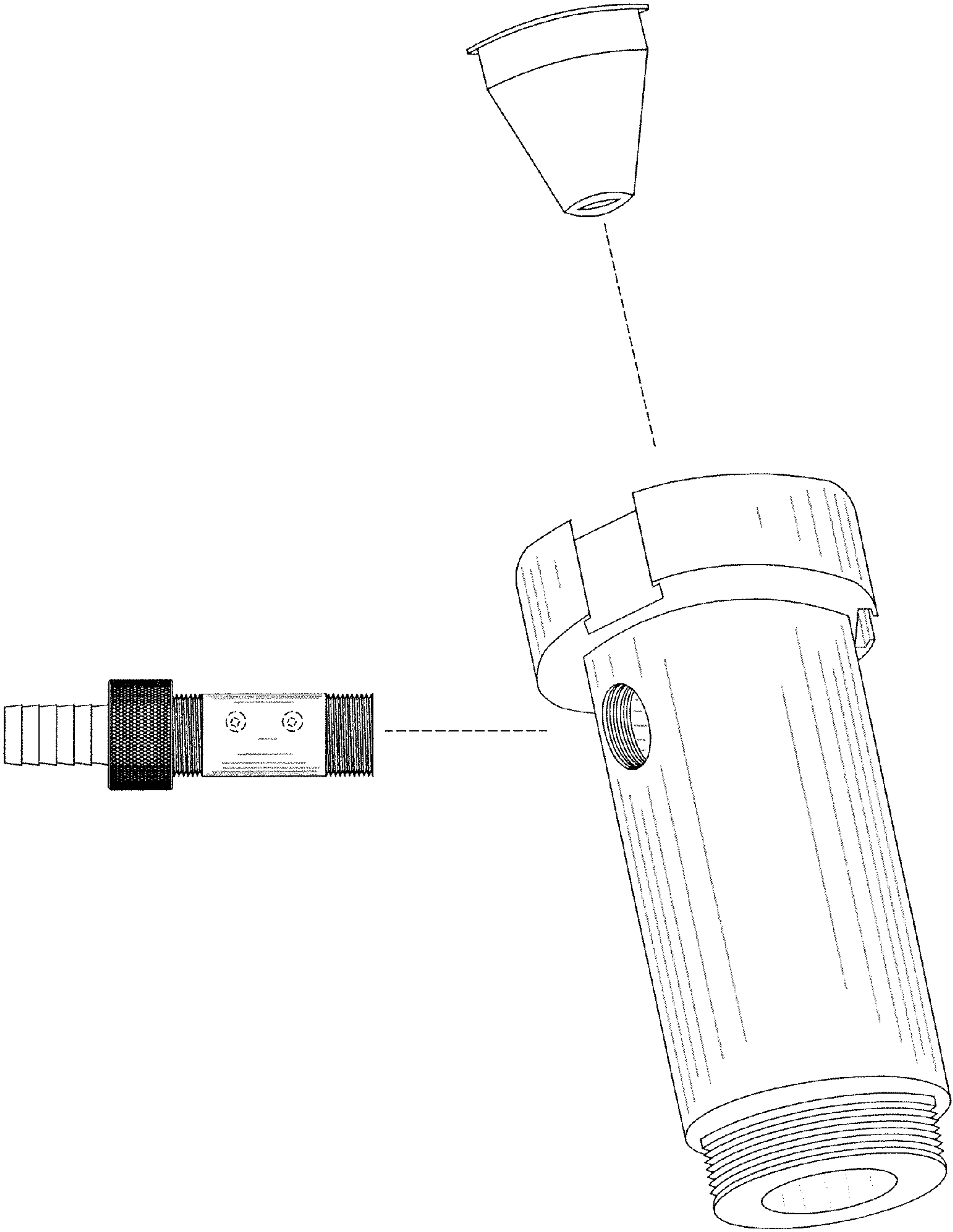


FIG. 11