

US00D649293S

(12) **United States Design Patent**
Lyons

(10) **Patent No.:** **US D649,293 S**

(45) **Date of Patent:** **** Nov. 22, 2011**

(54) **ARM PROTECTOR FOR BLOCKING SUNLIGHT WHILE DRIVING**

(76) Inventor: **Frank T. Lyons**, La Quinta, CA (US)

(**) Term: **14 Years**

(21) Appl. No.: **29/386,754**

(22) Filed: **Mar. 4, 2011**

(51) **LOC (9) Cl.** **29-02**

(52) **U.S. Cl.** **D29/120.1**

(58) **Field of Classification Search** D29/100,
D29/101.1, 101.2, 101.3, 101.4, 101.5, 120,
D29/120.1, 120.2, 121.1, 121.2, 122, 129;
2/2, 2.5, 16, 24, 52, 59, 61, 126, 161 A, 161 R,
2/170, 243 A, 268, 411, DIG. 6, 463, 910,
2/911; 128/77, 80 C, 87 R, 88; 602/3, 5,
602/6, 16, 23, 26

See application file for complete search history.

(56) **References Cited**

U.S. PATENT DOCUMENTS

3,879,763	A *	4/1975	Smith	2/59
4,011,596	A *	3/1977	Chang	2/16
4,884,297	A *	12/1989	Triche	2/16
4,951,317	A *	8/1990	Gray et al.	2/16
5,357,633	A	10/1994	Rael		
5,628,062	A	5/1997	Tseng		
D388,554	S	12/1997	Broderick		
D398,720	S *	9/1998	Leshner, Jr.	D29/120.1
5,974,586	A	11/1999	Reinoso		
6,029,278	A	2/2000	Lopez		
D453,591	S *	2/2002	Garden	D29/120.1

6,775,844	B1	8/2004	Castillo		
6,813,779	B1	11/2004	Williams		
7,389,544	B1	6/2008	Biggerstaff		
D602,208	S *	10/2009	Fournier	D29/120.1
2005/0015840	A1	1/2005	Biggerstaff		

* cited by examiner

Primary Examiner — Susan Bennett Hattan

Assistant Examiner — Barbara B Lohr

(57) **CLAIM**

The ornamental design for a arm protector for blocking sunlight while driving, as shown and described.

DESCRIPTION

FIG. 1 is a front elevated view of an arm protector for blocking sunlight while driving showing my new design, the areas in phantom being for illustrative purposes only and forming no portion of the claimed invention;

FIG. 2 is a rear elevated view of the arm protector for blocking sunlight while driving;

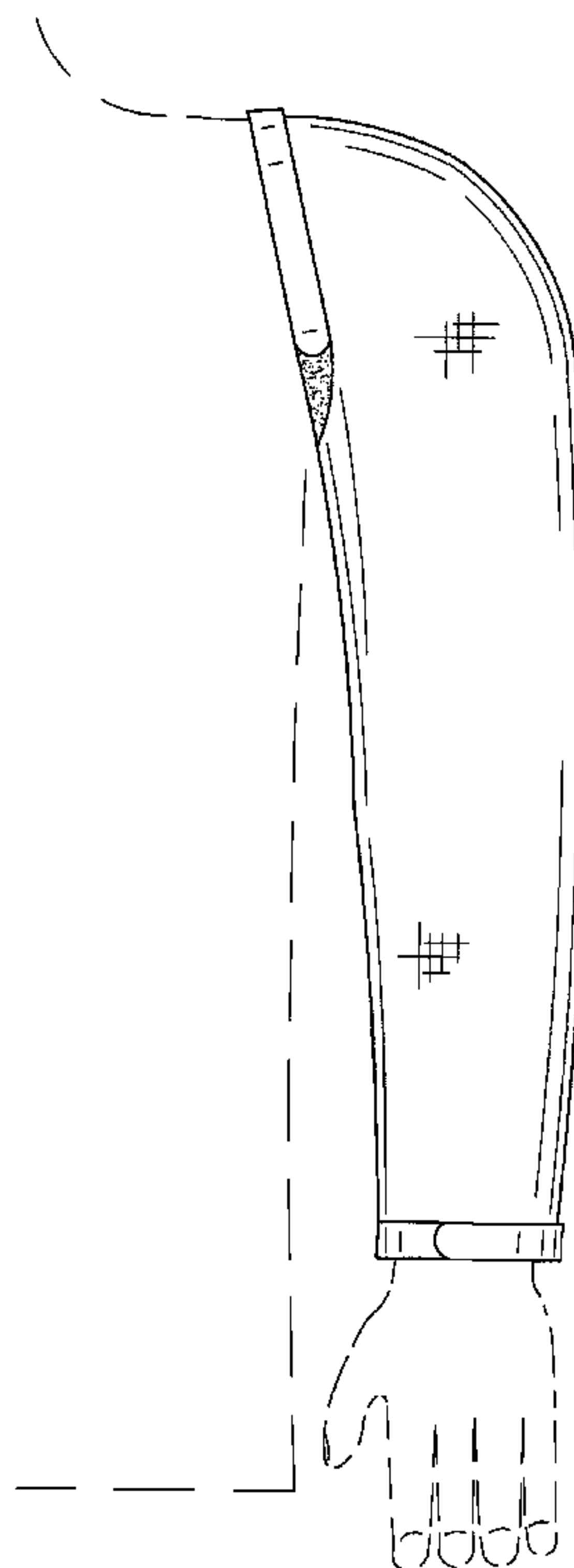
FIG. 3 is a right side elevated view of the arm protector for blocking sunlight while driving;

FIG. 4 is a left side elevated view of the arm protector for blocking sunlight while driving;

FIG. 5 is a top plan view of the arm protector for blocking sunlight while driving; and,

FIG. 6 is a bottom plan view of the arm protector for blocking sunlight while driving.

1 Claim, 3 Drawing Sheets



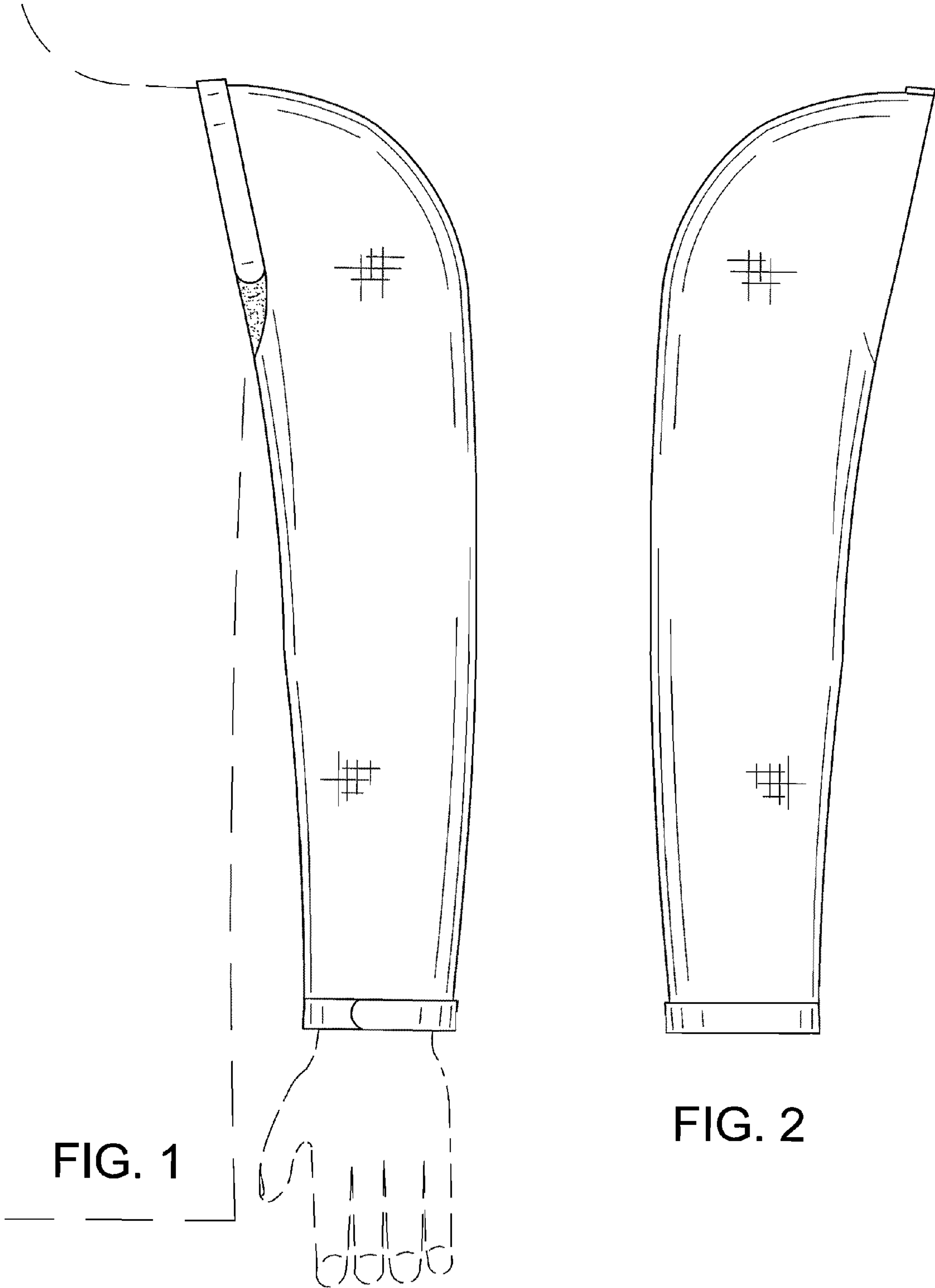


FIG. 1

FIG. 2

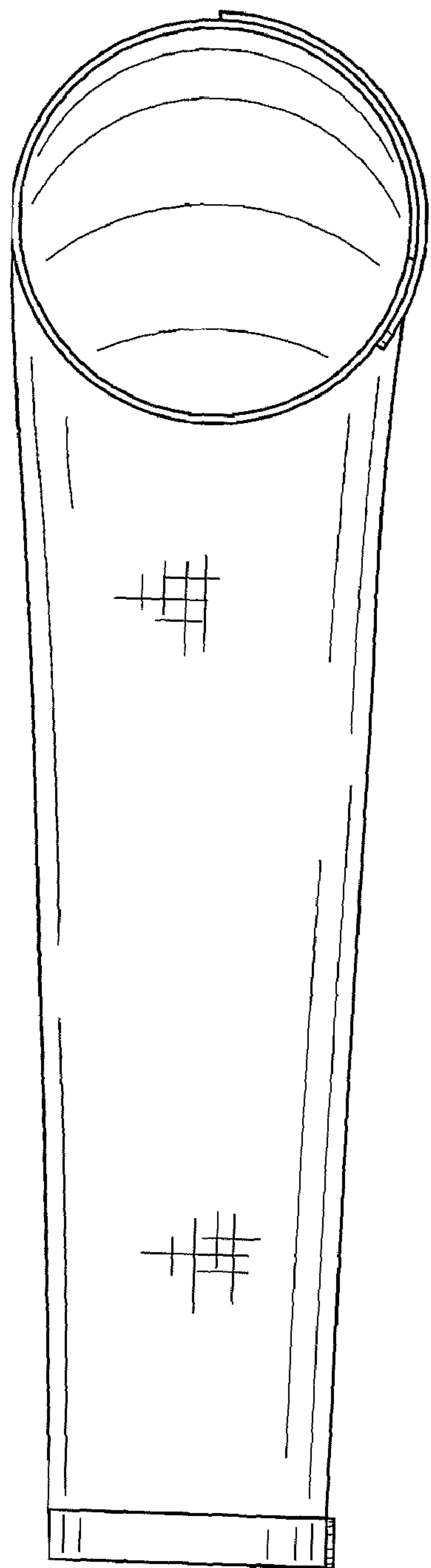


FIG. 3

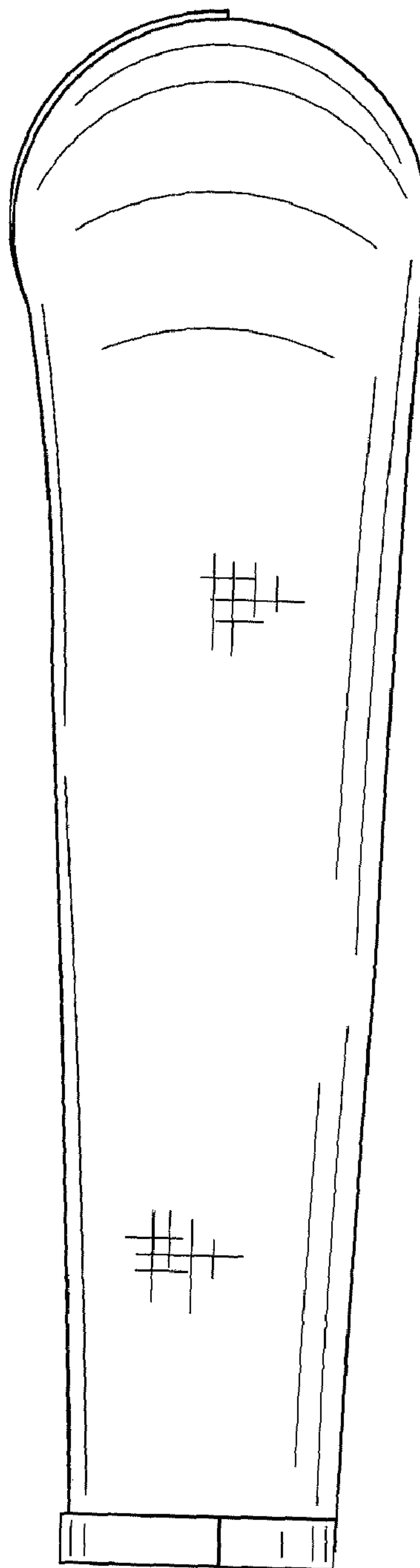


FIG. 4

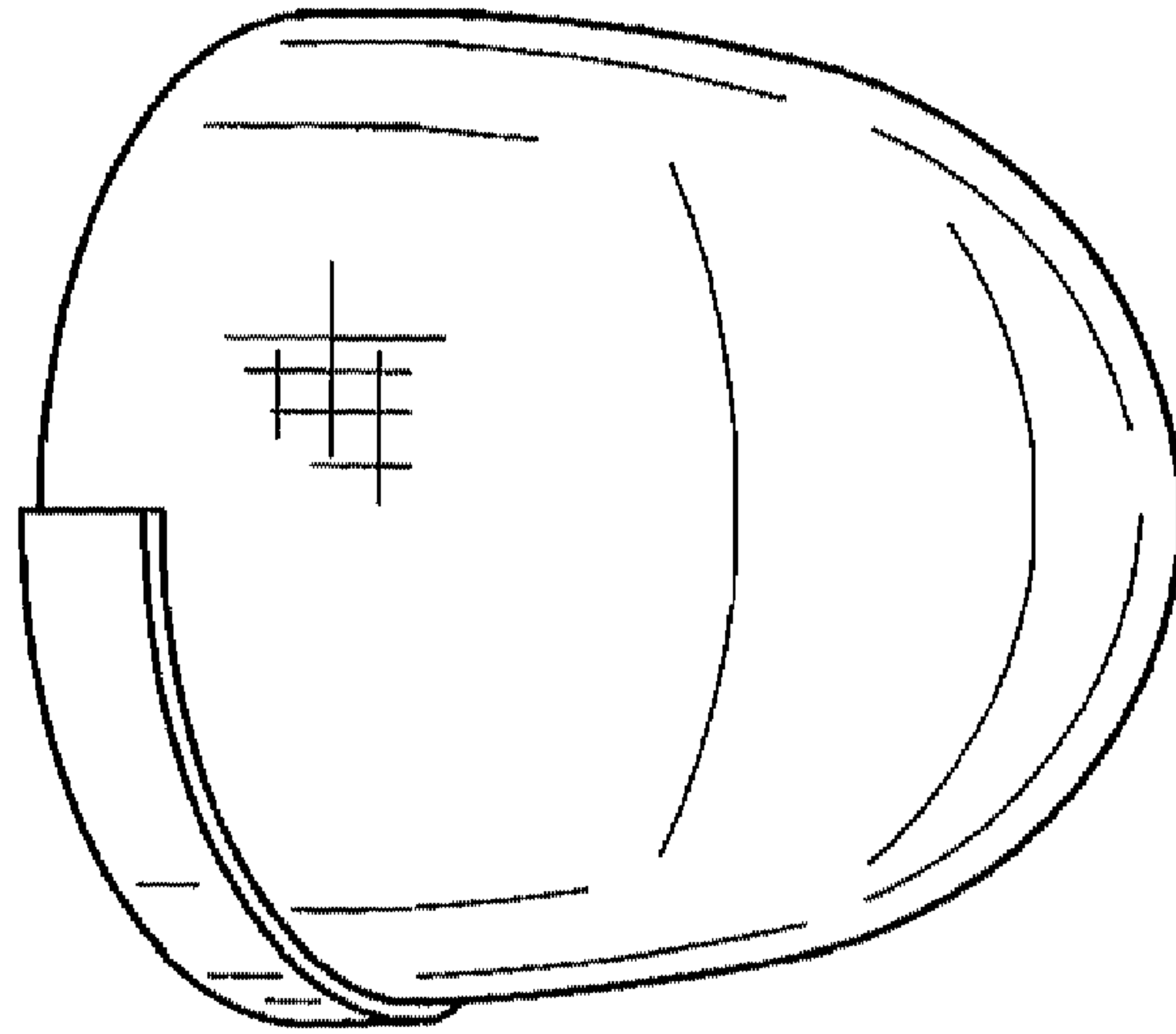


FIG. 5

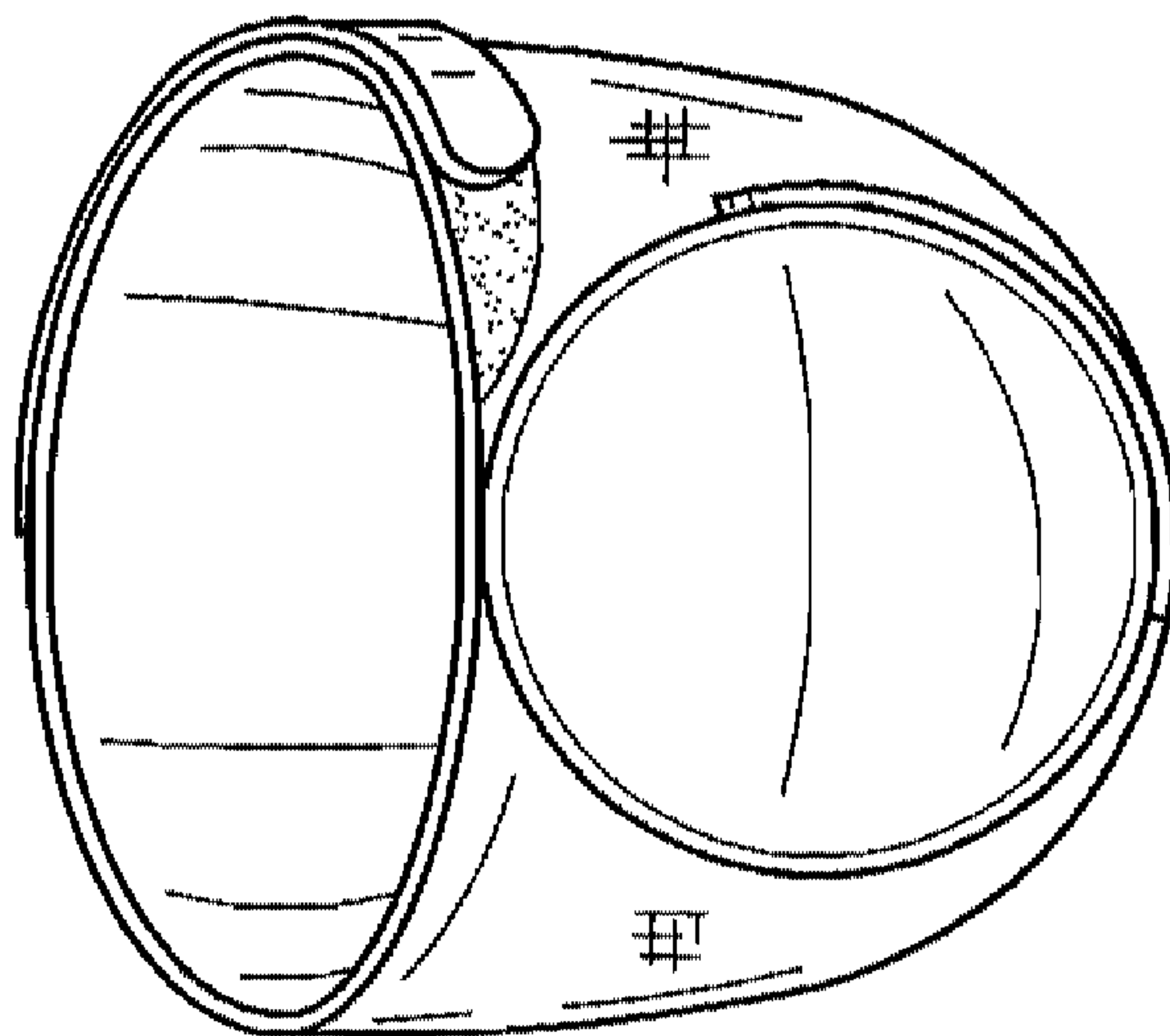


FIG. 6