



US00D649287S

(12) **United States Design Patent**
Cho

(10) **Patent No.:** **US D649,287 S**

(45) **Date of Patent:** **** Nov. 22, 2011**

(54) **DOUBLE FUNCTION EYELASH GROOMER HEAD**

Primary Examiner — Zenia Bennett

(74) *Attorney, Agent, or Firm* — Maria Erlinda Co Sarno

(76) Inventor: **Yong Hoon Cho**, Fullerton, CA (US)

(**) Term: **14 Years**

(57) **CLAIM**

The ornamental design for a double function eyelash groomer head, as shown and described.

(21) Appl. No.: **29/370,361**

(22) Filed: **Jul. 6, 2010**

(51) **LOC (9) Cl.** **28-03**

(52) **U.S. Cl.** **D28/30; D28/36**

(58) **Field of Classification Search** D28/7,
D28/20–22, 30–31; 132/53, 112, 126, 150,
132/208, 219.216

See application file for complete search history.

DESCRIPTION

FIG. 1 is a rear perspective view of the double function eyelash groomer head with a cap and handle showing my new design;

FIG. 2 is a rear perspective view of the double function eyelash groomer head without a cap;

FIG. 3 is a top end view of the double function eyelash groomer head thereof;

FIG. 4 is a front view of the double function eyelash groomer head thereof;

FIG. 5 is a left side view of the double function eyelash groomer head thereof;

FIG. 6 is a rear view of the double function eyelash groomer head thereof; and,

FIG. 7 is a right side view of the double function eyelash groomer head.

The broken lines are for environmental purposes only and form no part of the claimed design.

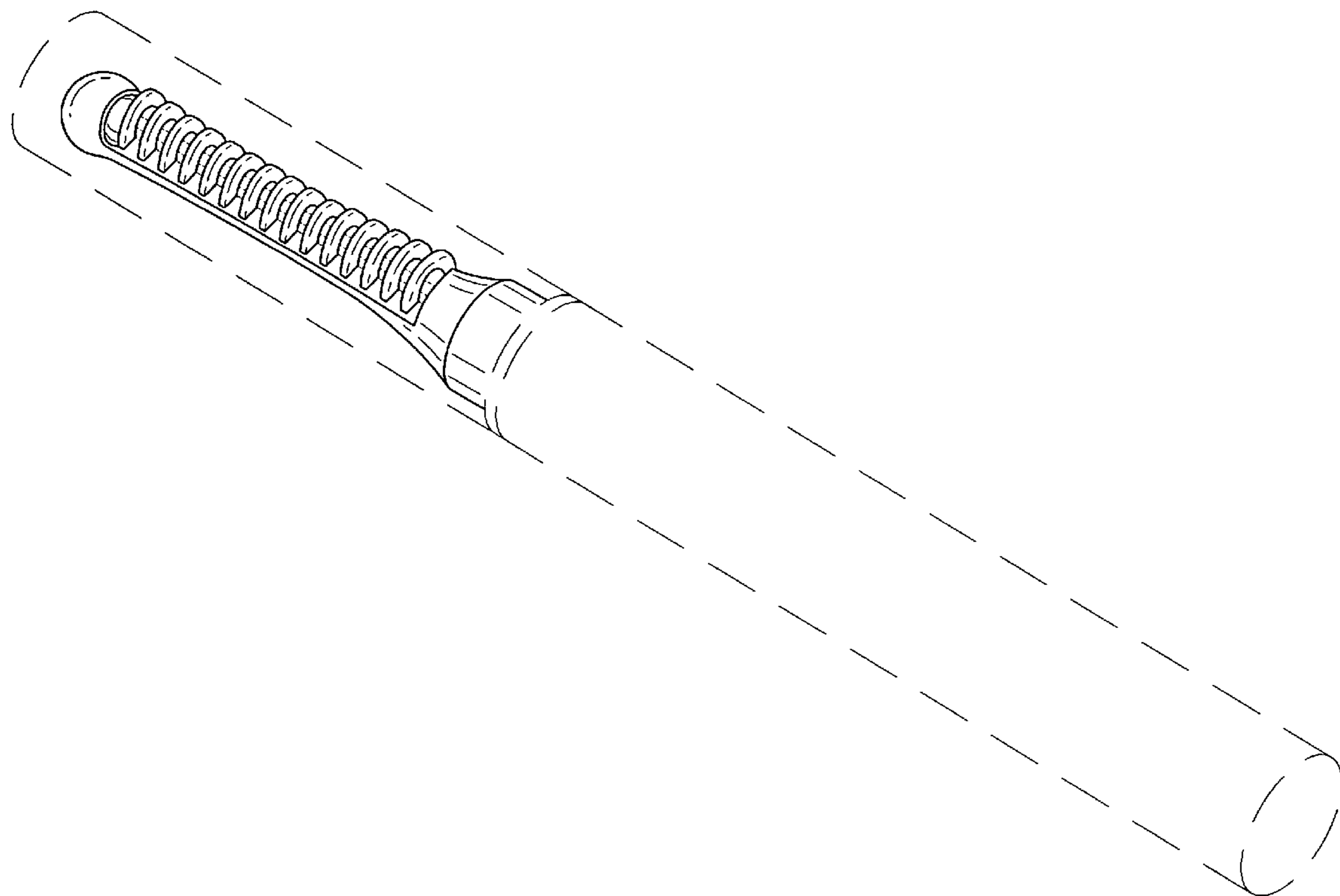
(56) **References Cited**

U.S. PATENT DOCUMENTS

3,071,143	A *	1/1963	Bau	401/128
3,130,735	A *	4/1964	William	401/128
4,744,377	A *	5/1988	Dolan, Jr.	132/218
D315,428	S *	3/1991	Davies	D28/30
5,086,793	A *	2/1992	Kingsford	132/218
6,539,950	B1 *	4/2003	Gueret	132/218
6,581,610	B1 *	6/2003	Gueret	132/218
6,814,084	B2 *	11/2004	Gueret	132/218
D561,390	S *	2/2008	Sugawara et al.	D28/7
7,637,265	B2 *	12/2009	Funatsu et al.	132/218
D609,399	S *	2/2010	McCarthy	D28/21
7,665,473	B1 *	2/2010	Gueret	132/218

* cited by examiner

1 Claim, 3 Drawing Sheets



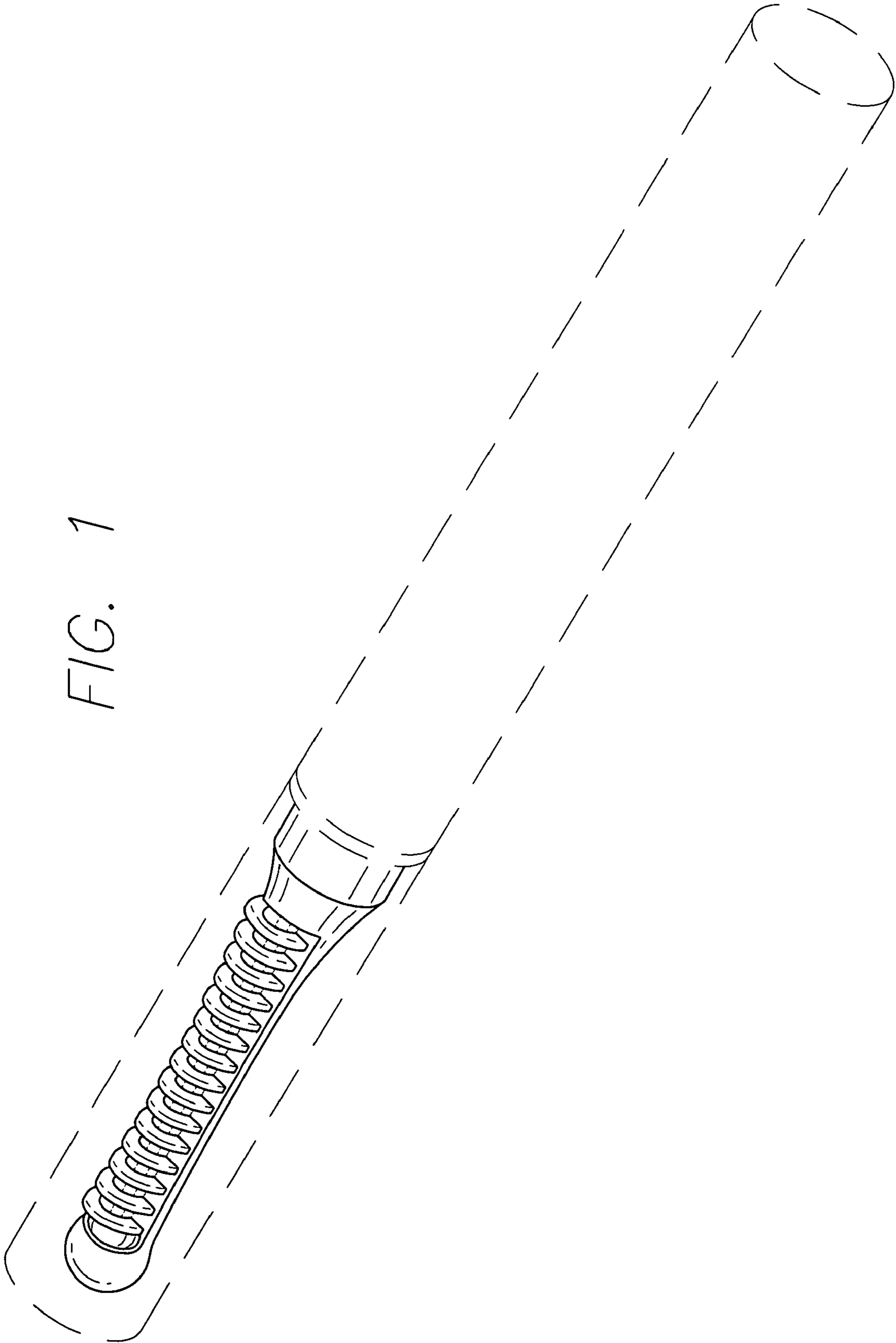


FIG. 1

FIG. 2

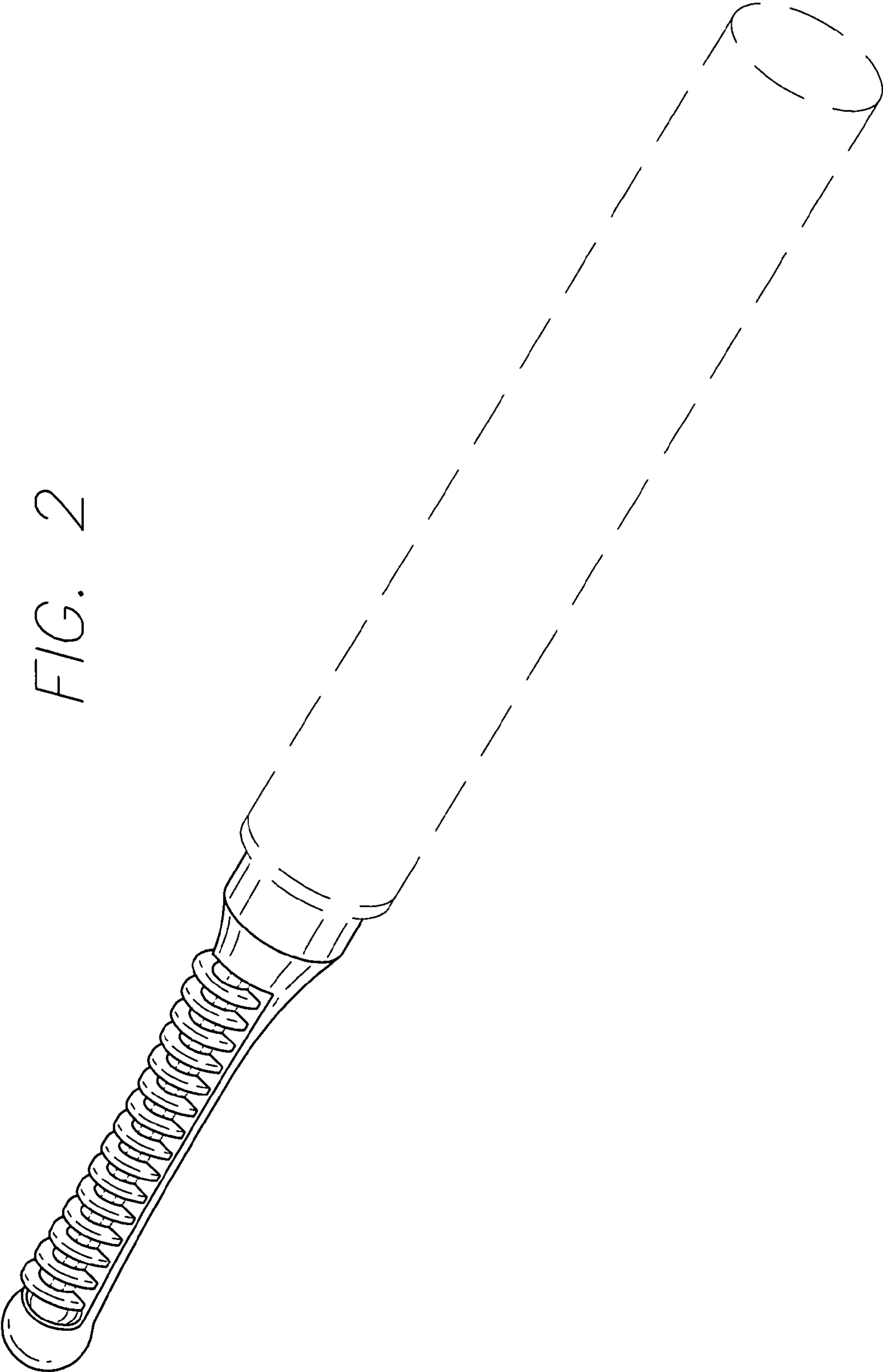


FIG. 3

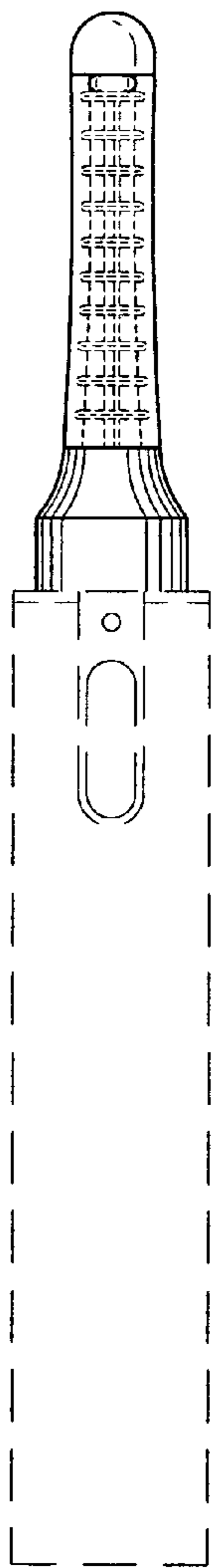
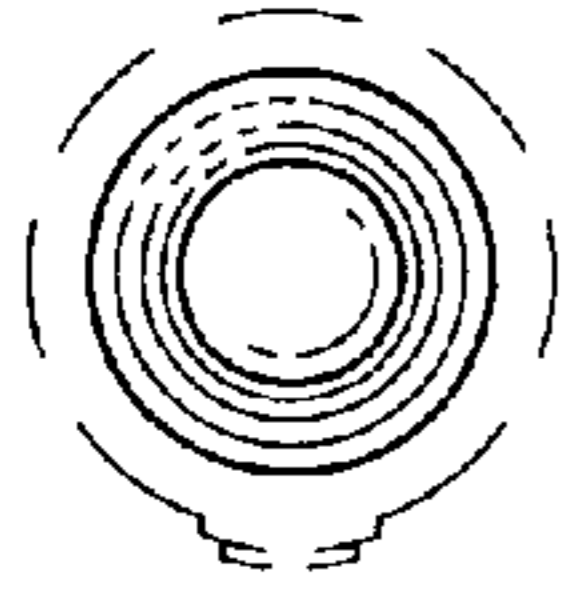


FIG. 4

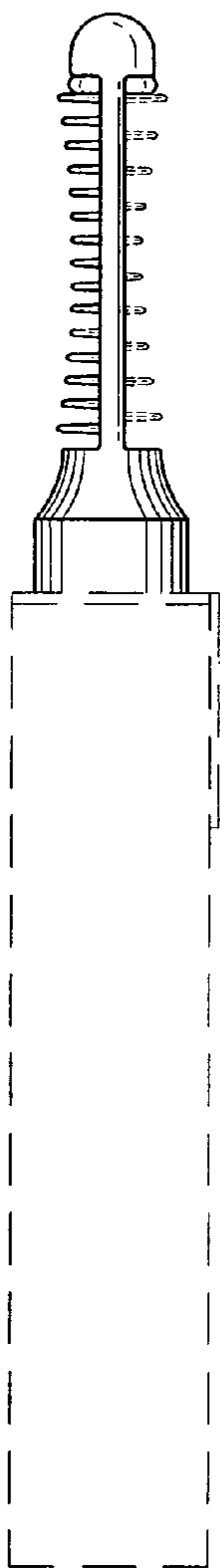


FIG. 5

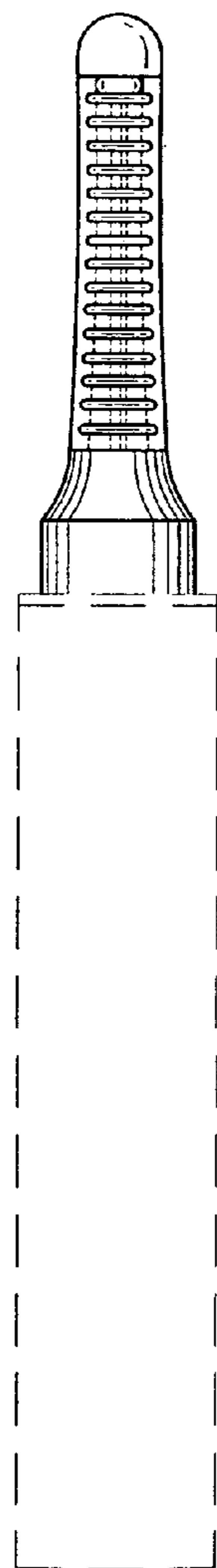


FIG. 6

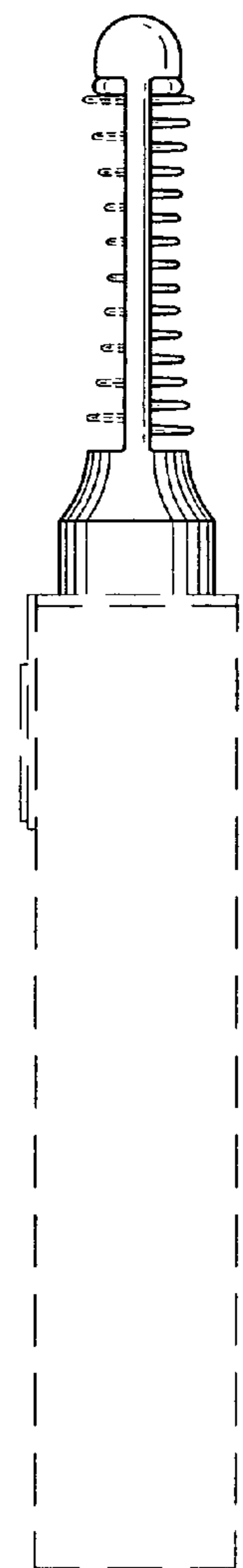


FIG. 7