



US00D649286S

(12) **United States Design Patent**  
**Beierle et al.**

(10) **Patent No.:** **US D649,286 S**  
(45) **Date of Patent:** **\*\* Nov. 22, 2011**

(54) **SPRINT CAR SOAP**

**DESCRIPTION**

- (76) Inventors: **Connie Beierle**, Bismarck, ND (US);  
**Scott Beierle**, Bismarck, ND (US)
- (\*\*) Term: **14 Years**
- (21) Appl. No.: **29/316,652**
- (22) Filed: **Oct. 19, 2009**
- (51) **LOC (9) Cl.** ..... **28-02**
- (52) **U.S. Cl.** ..... **D28/8.2**
- (58) **Field of Classification Search** ..... D28/4,  
D28/8.1-8.2; D21/549-550; 446/431, 465,  
446/470; 510/133, 141-148, 440, 447-450  
See application file for complete search history.

(56) **References Cited**

**U.S. PATENT DOCUMENTS**

D328,110 S *	7/1992	Barker et al.	.....	D21/550
D359,082 S *	6/1995	Aker et al.	.....	D21/550
D496,075 S *	9/2004	Byrne	.....	D21/550
D577,778 S *	9/2008	Fink et al.	.....	D21/550
D617,851 S *	6/2010	Stoddard	.....	D21/549

\* cited by examiner

*Primary Examiner* — Jennifer Rivard

(57) **CLAIM**

We claim the ornamental design for the sprint car soap, as shown and described.

FIG. 1 is a right side perspective view showing our sprint car soap design;

FIG. 2 is a right side elevation view of the sprint car soap design of FIG. 1;

FIG. 3 is a left side perspective view of the sprint car soap design of FIG. 1;

FIG. 4 is a left side elevation view of the sprint car soap design of FIG. 1;

FIG. 5 is a front elevation view of the sprint car soap design of FIG. 1;

FIG. 6 is a front perspective view the sprint car soap design of FIG. 1;

FIG. 7 is a top plan view of the sprint car soap design of FIG. 1;

FIG. 8 is a rear elevation view of the sprint car soap design of FIG. 1;

FIG. 9 is a rear perspective view the sprint car soap design of FIG. 1;

FIG. 10 is a bottom plan view of the sprint car soap design of FIG. 1;

FIG. 11 is a perspective view of the sprint car soap design of FIG. 1; and,

FIG. 12 is a perspective view of the sprint car soap design of FIG. 1.

**1 Claim, 6 Drawing Sheets**

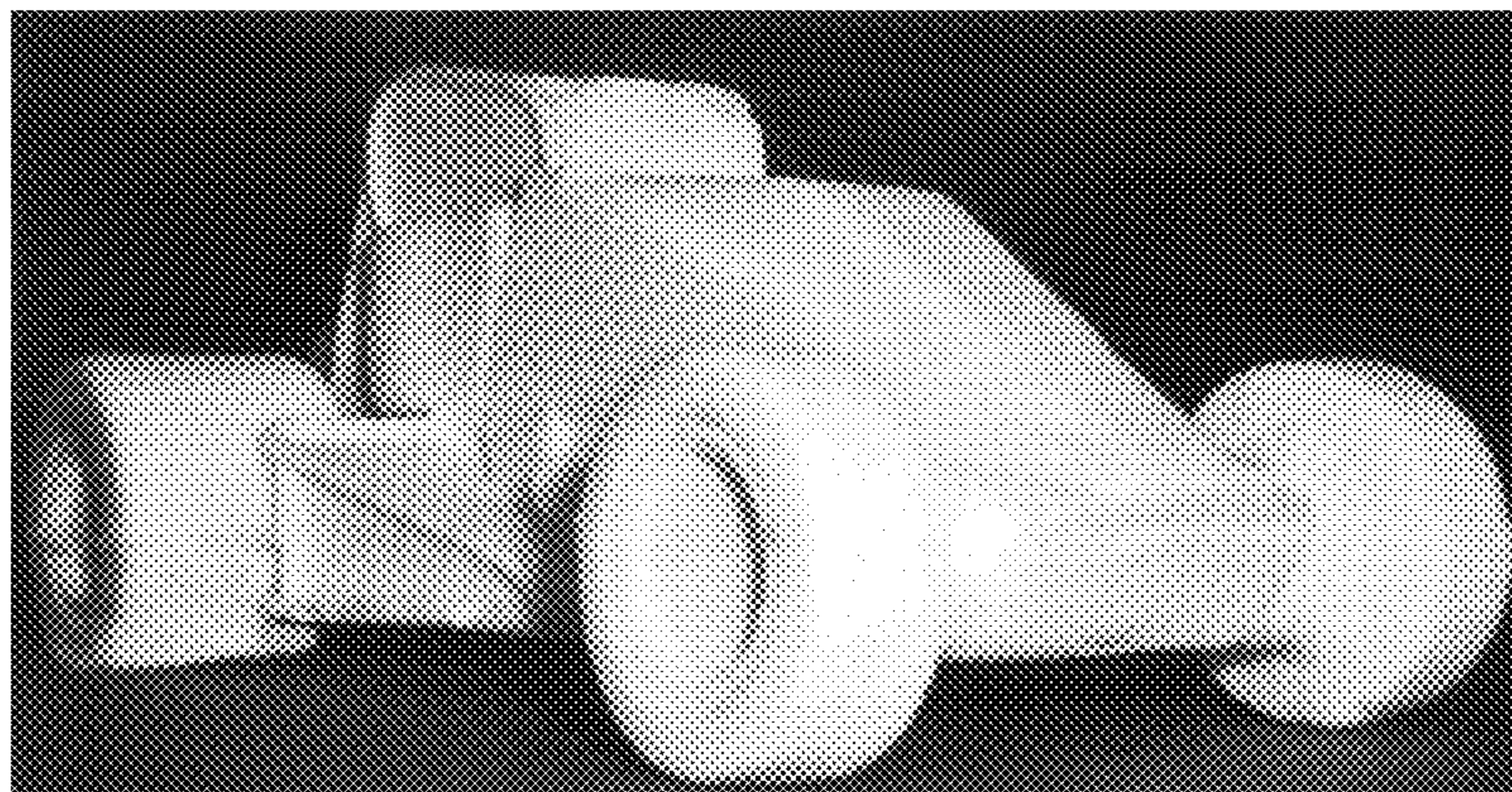
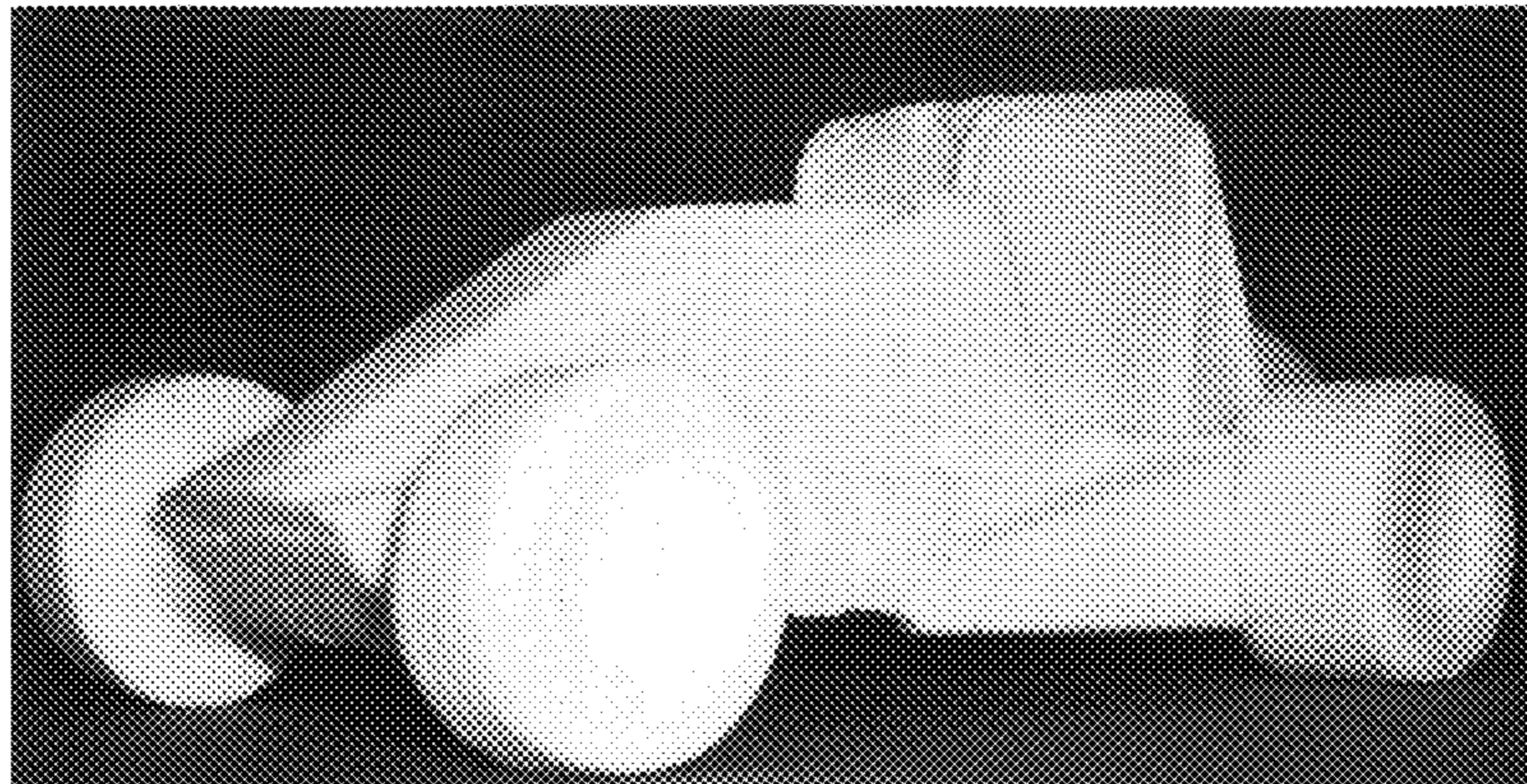




FIG. 1

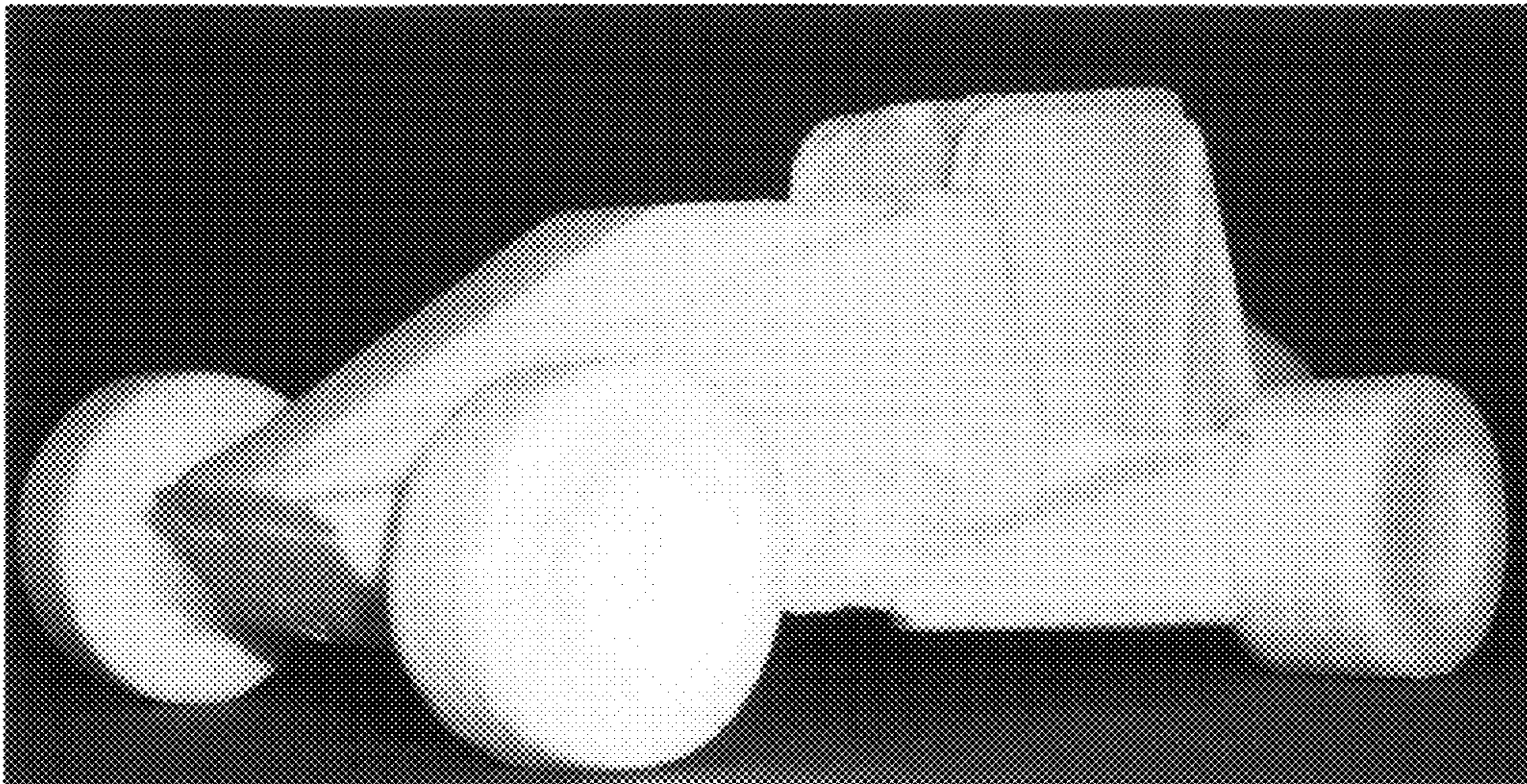


FIG. 2

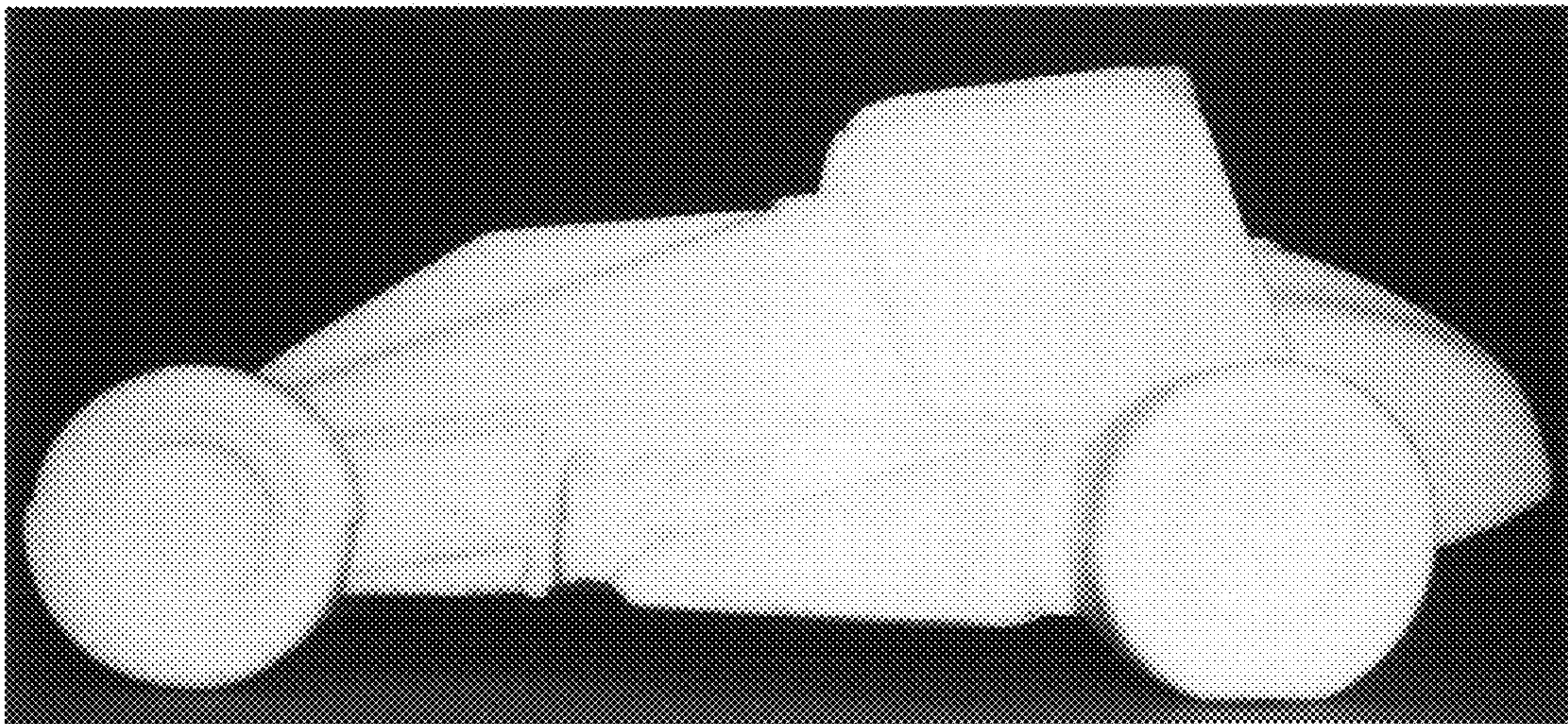




FIG. 3

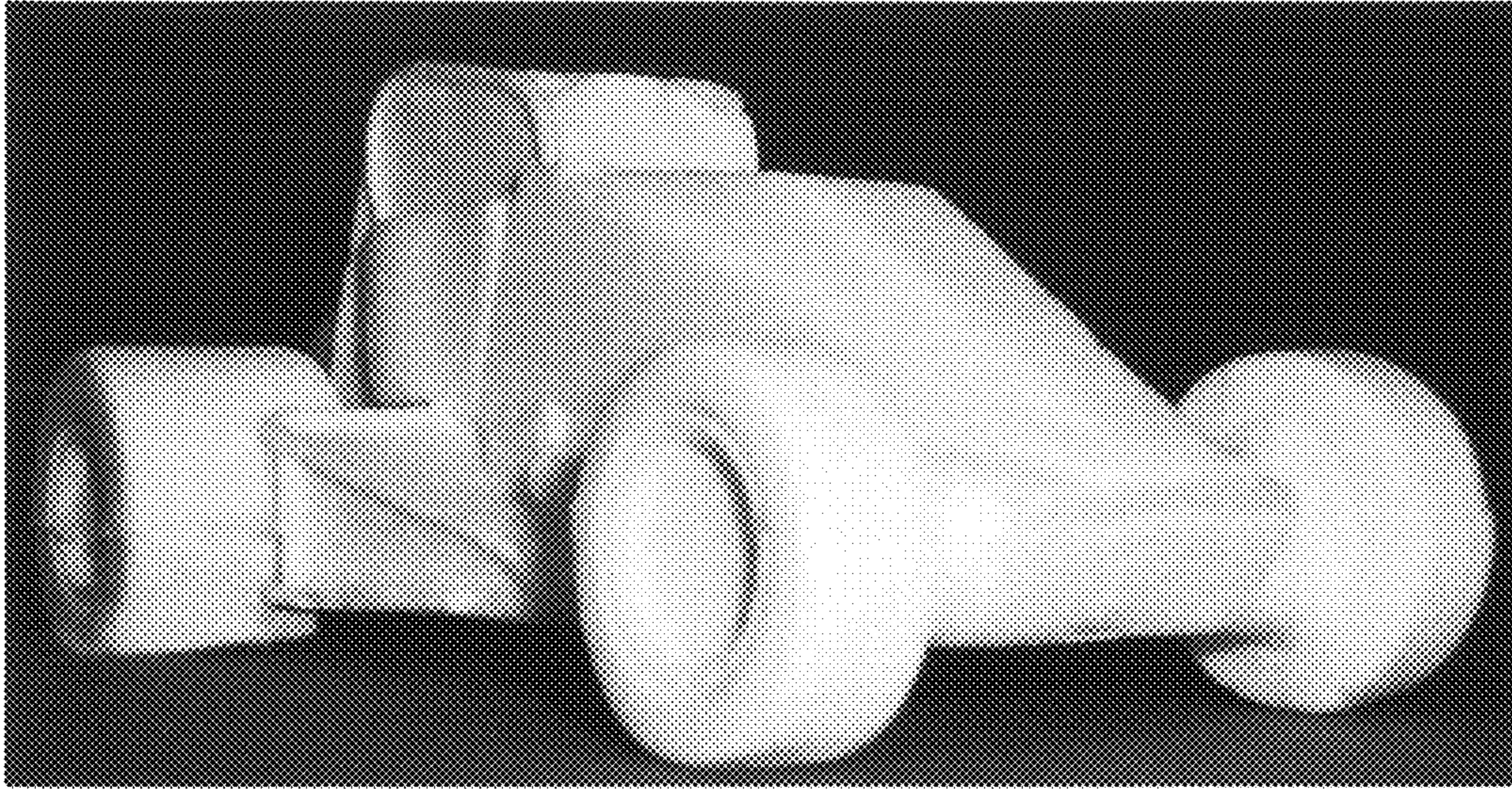


FIG. 4

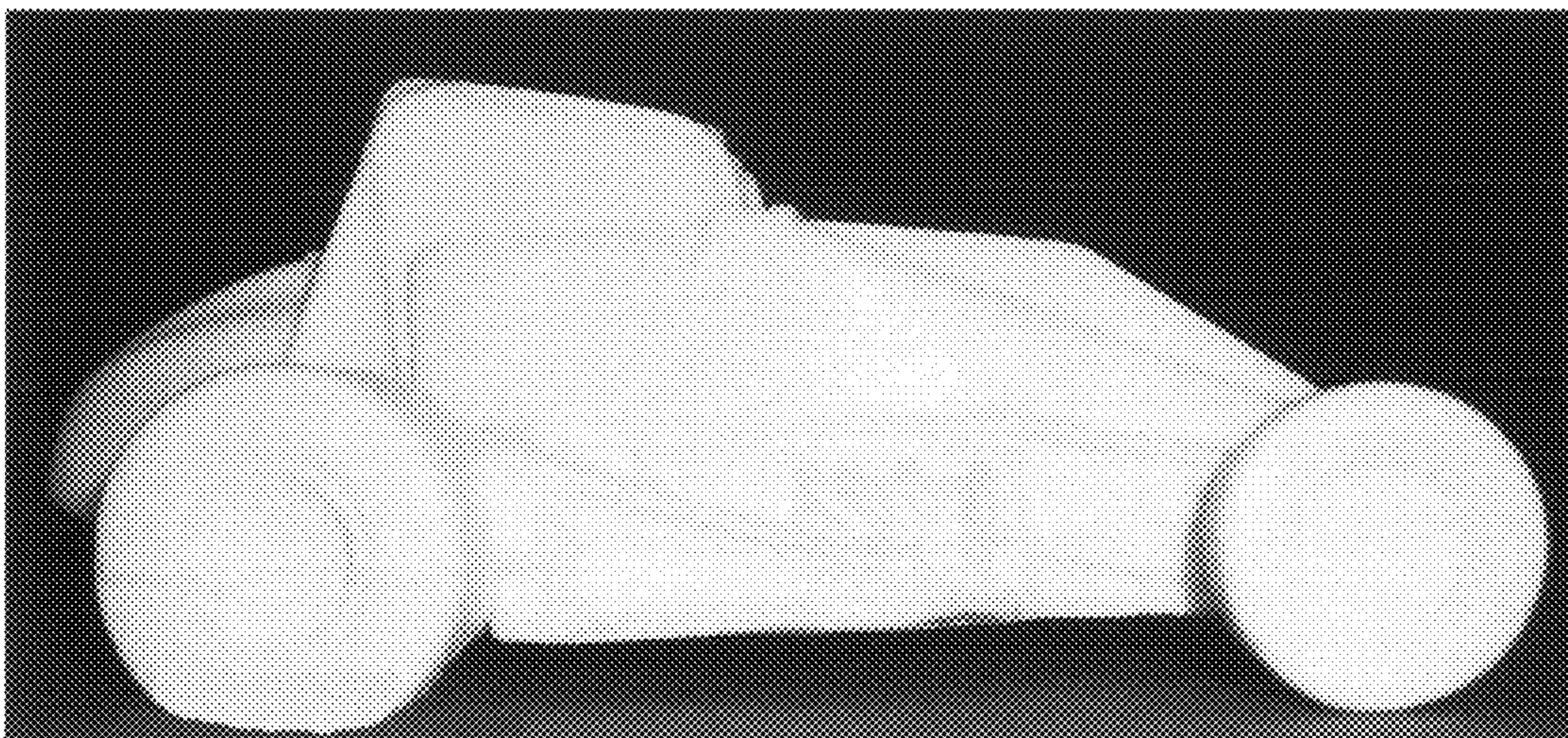




FIG. 5

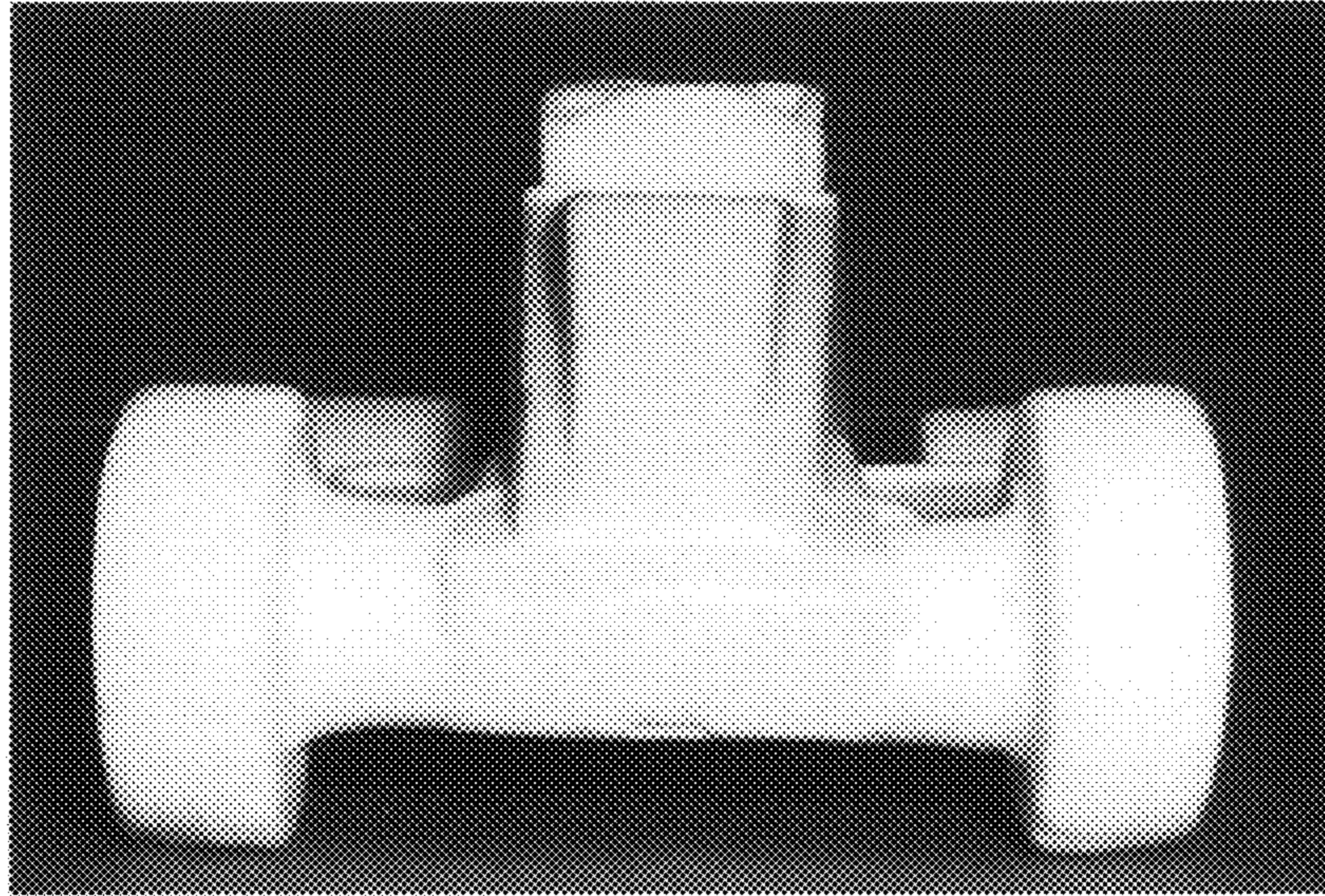


FIG. 6

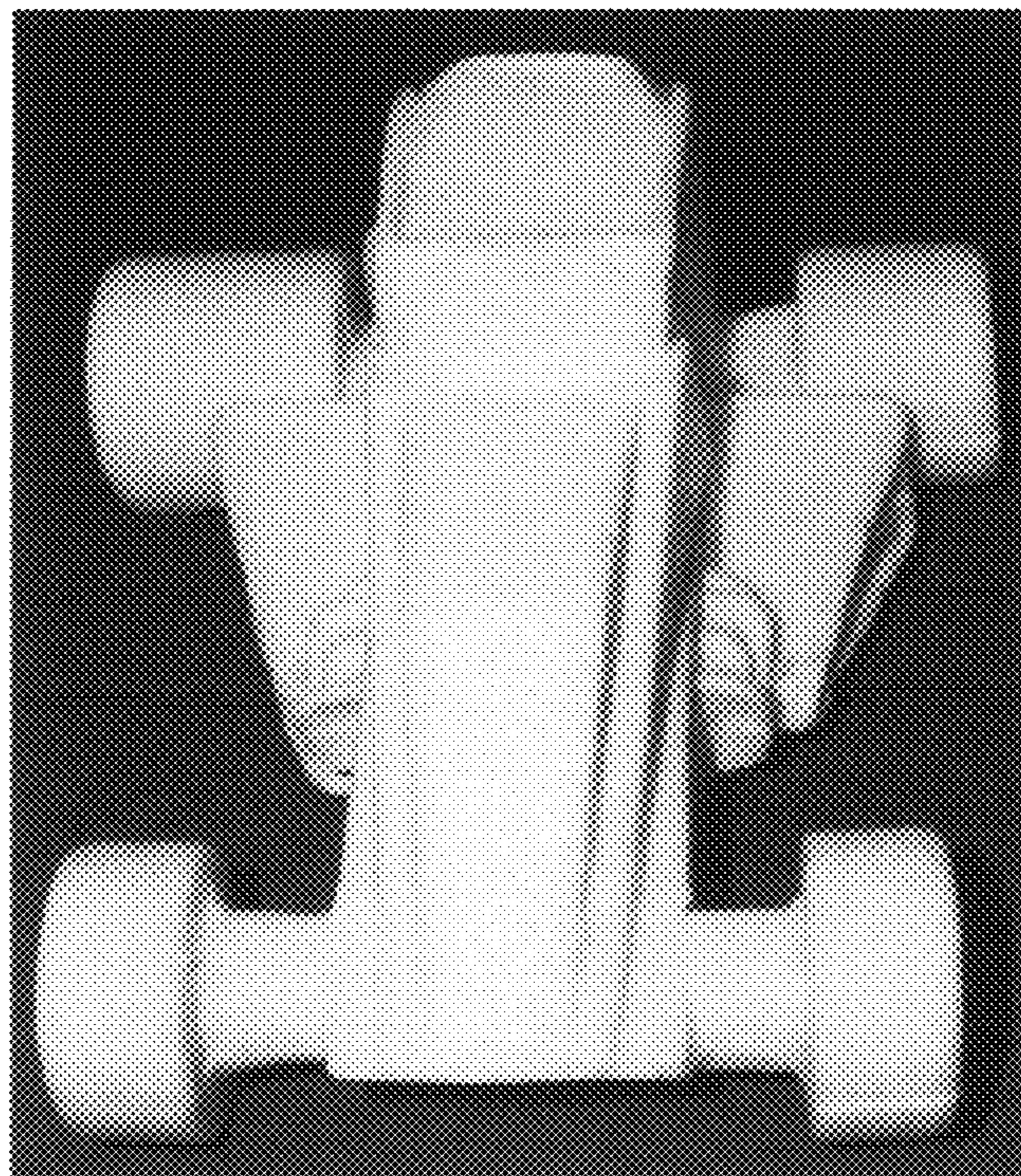




FIG. 7

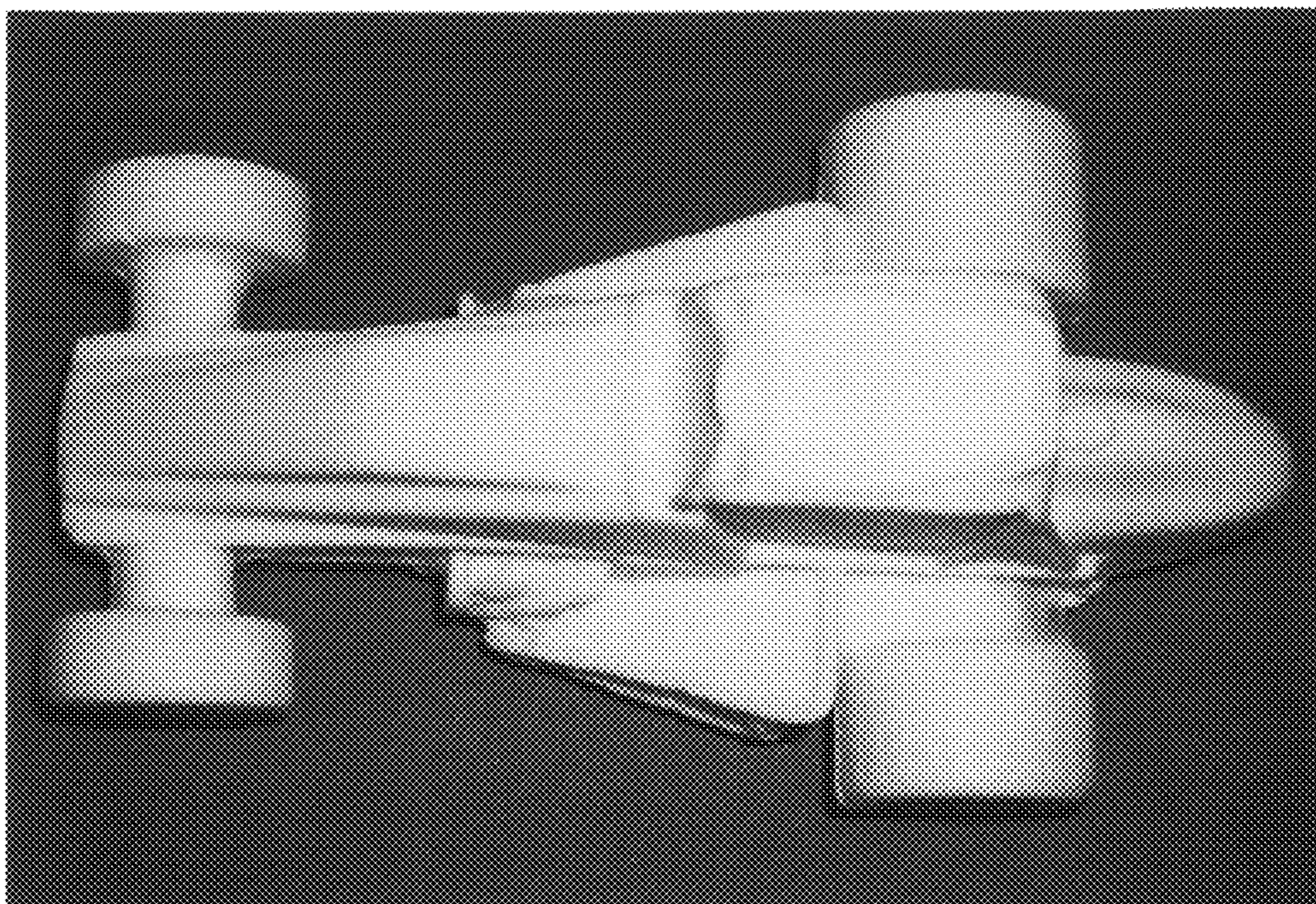


FIG. 8

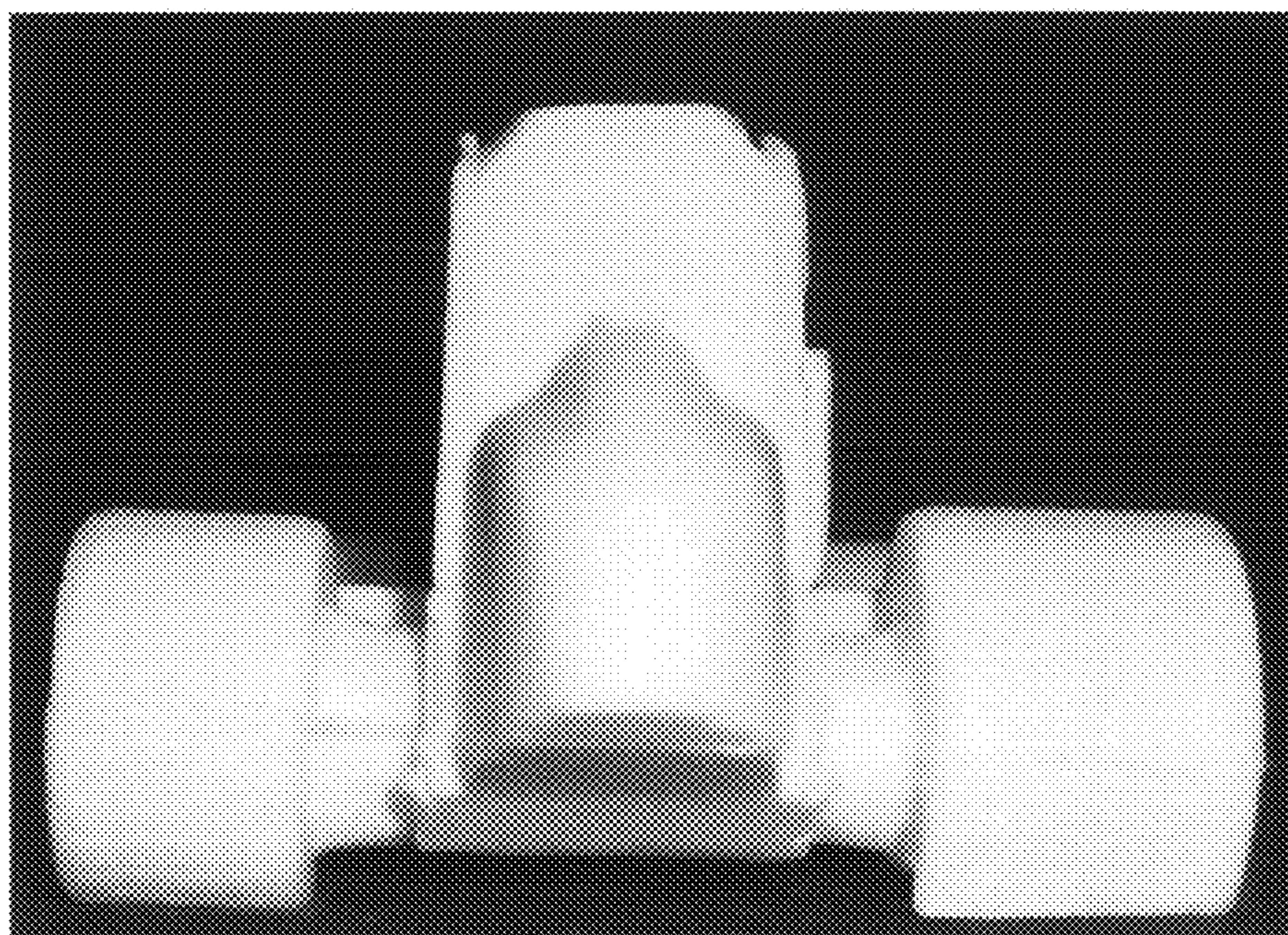




FIG. 9

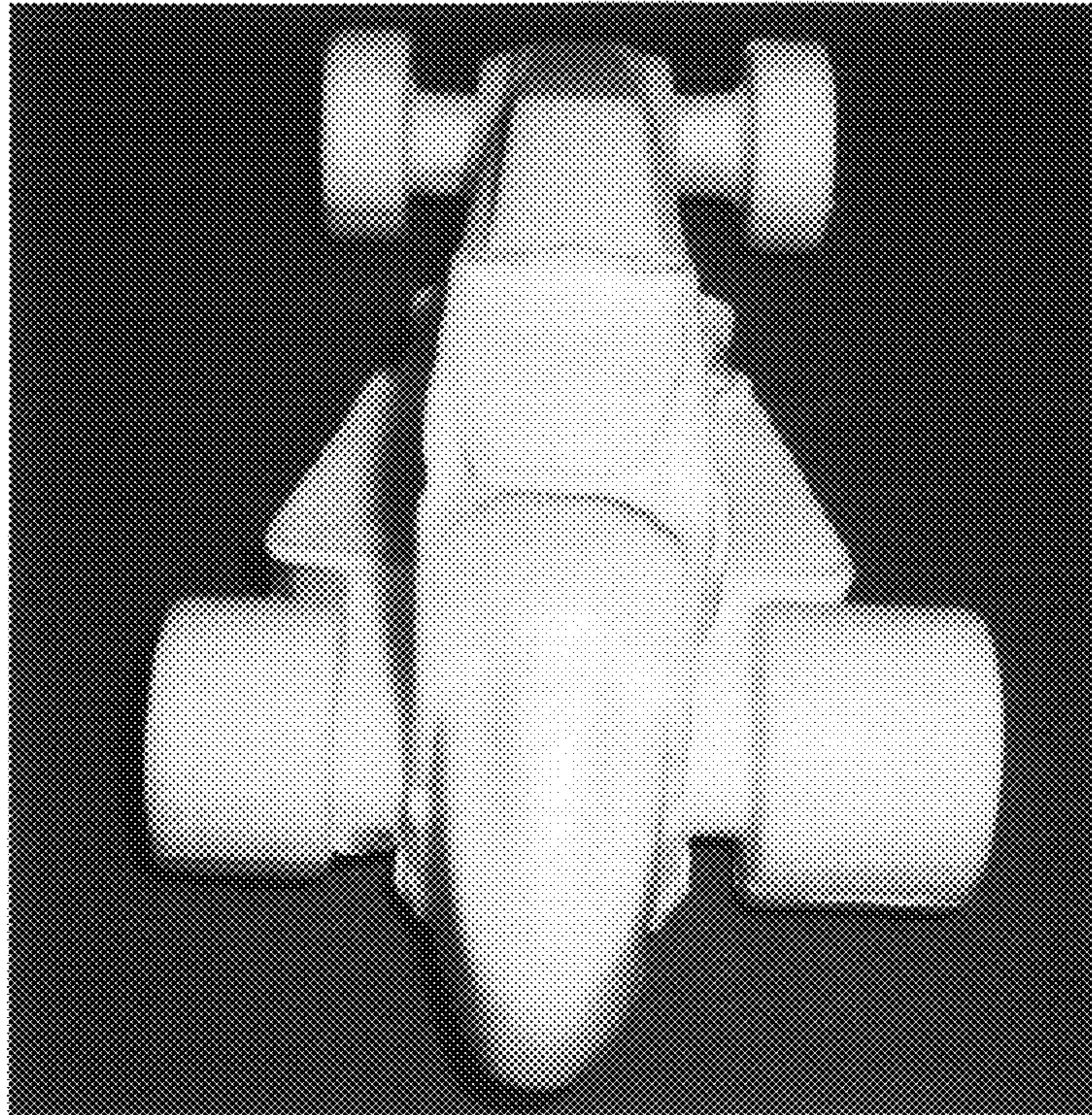


FIG. 10

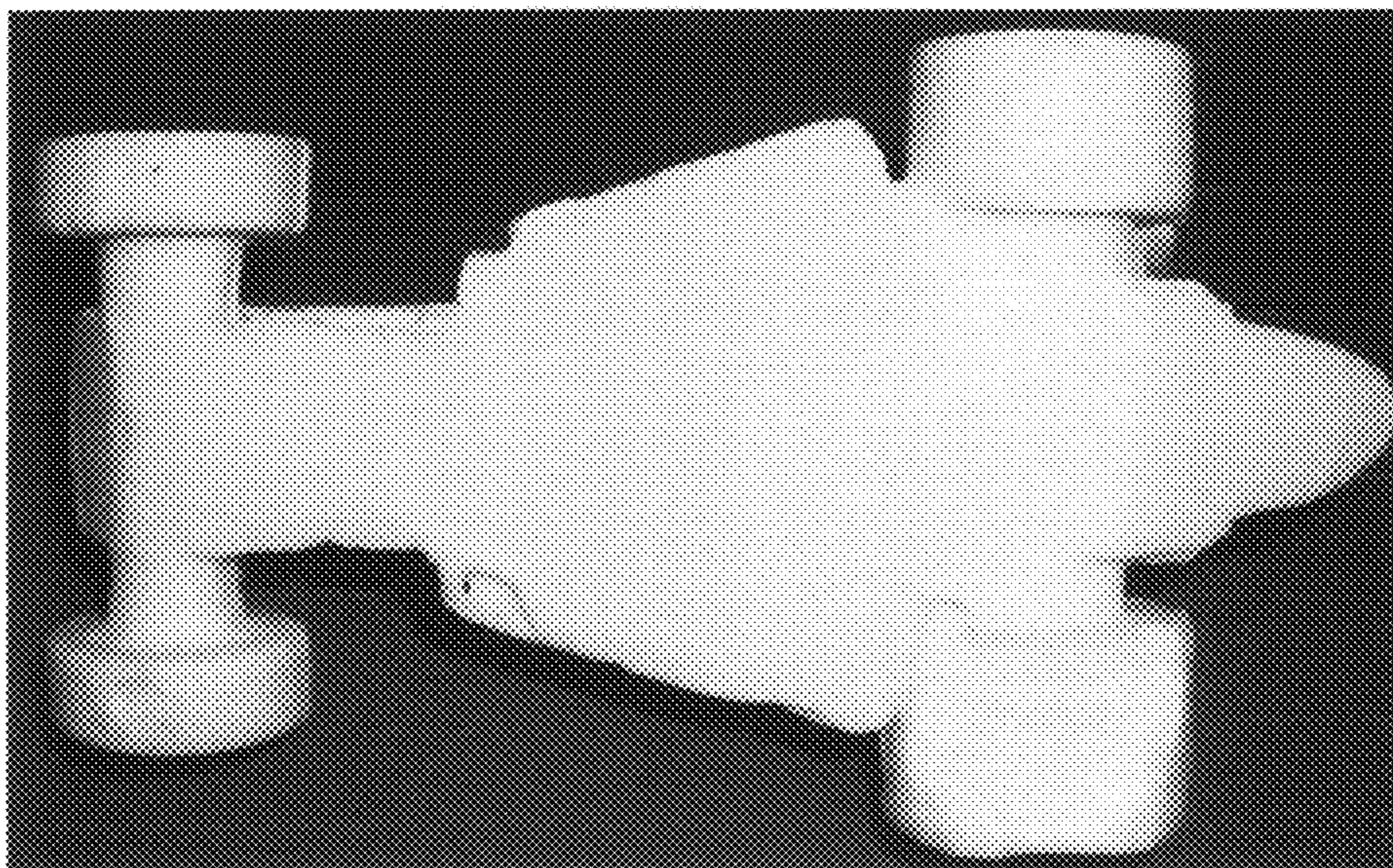




FIG. 11

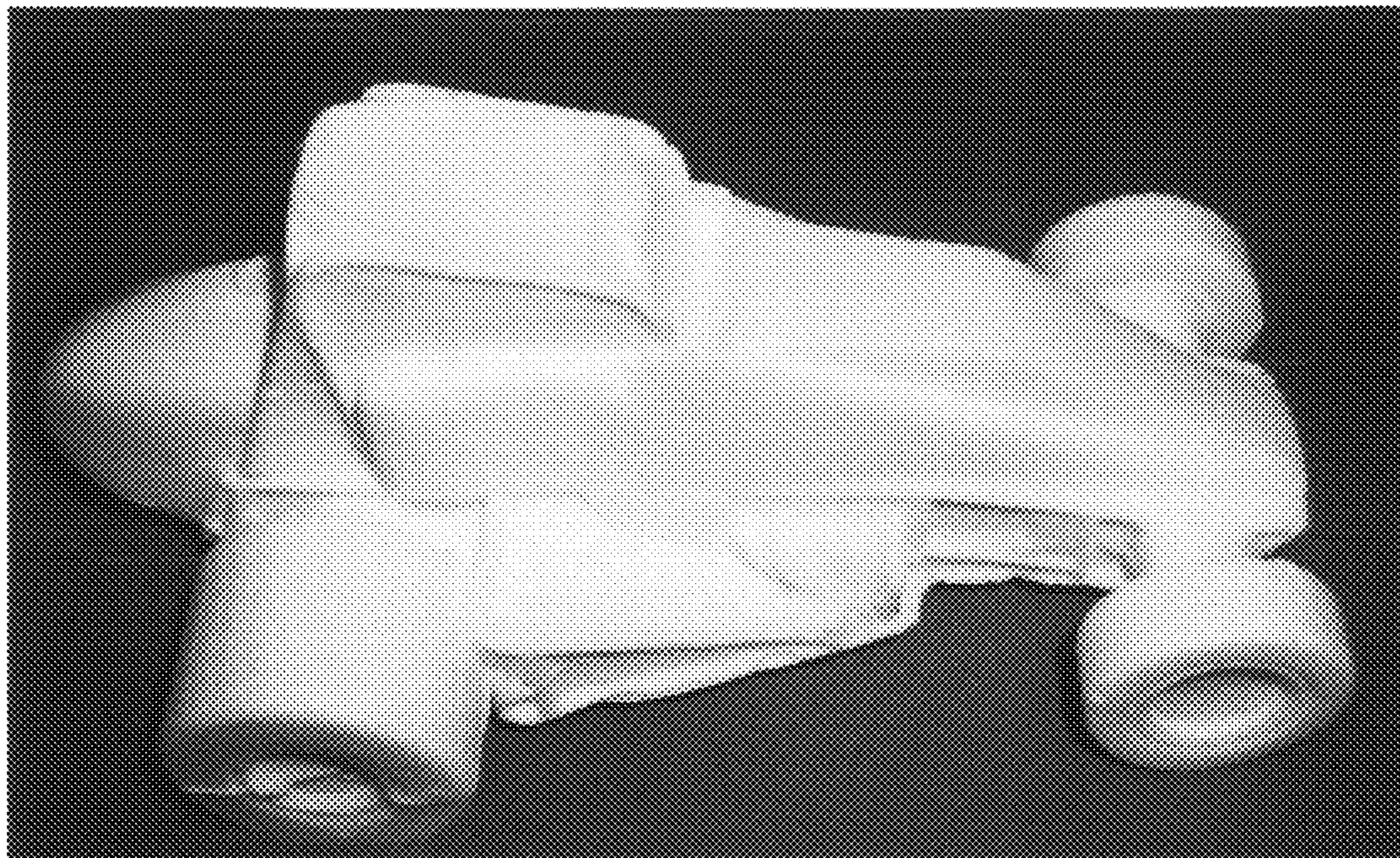


FIG. 12

