



US00D649284S

(12) **United States Design Patent**
Patel et al.

(10) **Patent No.:** **US D649,284 S**

(45) **Date of Patent:** **** Nov. 22, 2011**

(54) **CONTAINER WITH BOTTOM COMPARTMENT**

(75) Inventors: **Pankaj Patel**, Clemmons, NC (US);
Laya Katrina Palmer Horton,
Winston-Salem, NC (US)

(73) Assignee: **R.J. Reynolds Tobacco Company**,
Winston-Salem, NC (US)

(**) Term: **14 Years**

(21) Appl. No.: **29/359,806**

(22) Filed: **Apr. 15, 2010**

Related U.S. Application Data

(62) Division of application No. 29/346,258, filed on Oct. 29, 2009, now Pat. No. Des. 617,043, which is a division of application No. 29/337,352, filed on May 20, 2009, now Pat. No. Des. 609,855, which is a division of application No. 29/297,520, filed on Nov. 13, 2007, now Pat. No. Des. 594,154.

(51) **LOC (9) Cl.** **27-06**

(52) **U.S. Cl.** **D27/189; D9/428; D9/432**

(58) **Field of Classification Search** **D27/105,**
D27/183-194; D9/430-433, 420-428, 737;
206/236-241, 242-276

See application file for complete search history.

(56) **References Cited**

U.S. PATENT DOCUMENTS

D462,613 S	9/2002	Bried et al.	D9/428
D466,408 S	12/2002	Baerenwald et al.	D9/432
D474,402 S	5/2003	Baerenwald	D9/420
D502,394 S	3/2005	Jackson et al.	D9/425
D525,120 S	7/2006	Maskell et al.	D9/428
D548,070 S	8/2007	Swain	D9/432
D554,502 S	11/2007	Hoffman et al.	D9/432
D563,596 S	3/2008	Neiás	D27/189
D563,597 S	3/2008	Kuylentierna	D27/189
D594,154 S *	6/2009	Patel et al.	D27/189
D600,855 S	9/2009	Krohn	D27/189

D609,855 S *	2/2010	Patel et al.	D27/189
D617,043 S *	6/2010	Patel et al.	D27/189
D630,525 S *	1/2011	Patel et al.	D9/737
D640,131 S *	6/2011	Gibson et al.	D9/428
2009/0014343 A1	1/2009	Clark et al.	206/247
2009/0057173 A1 *	3/2009	Mitten et al.	206/256
2009/0166230 A1 *	7/2009	Henry et al.	206/214
2009/0250360 A1	10/2009	Bellamah et al.	206/247
2010/0018883 A1 *	1/2010	Patel	206/256

* cited by examiner

Primary Examiner — Jennifer Rivard

(74) *Attorney, Agent, or Firm* — Brinks Hofer Gilson & Lione

(57) **CLAIM**

We claim the ornamental design for a container with bottom compartment, as shown and described.

DESCRIPTION

FIG. 1 is a top perspective view of a container with bottom compartment with the top lid closed;

FIG. 2 is a bottom perspective view of the closed container of FIG. 1 with the rectangular bottom compartment lid in a closed position;

FIG. 3 is a top plan view of the container of FIG. 1;

FIG. 4 is a bottom plan view of the container of FIG. 1 with the bottom compartment closed;

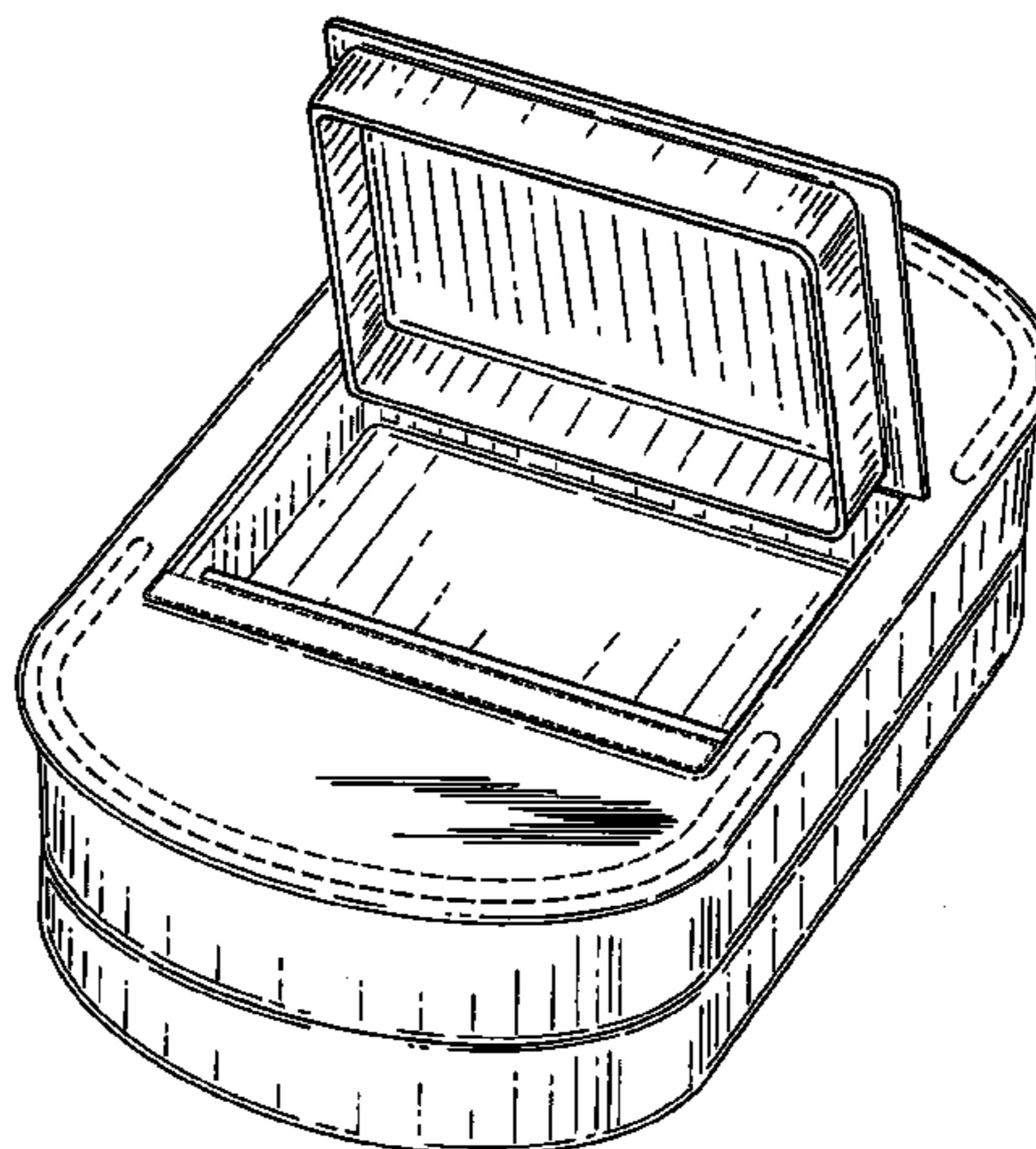
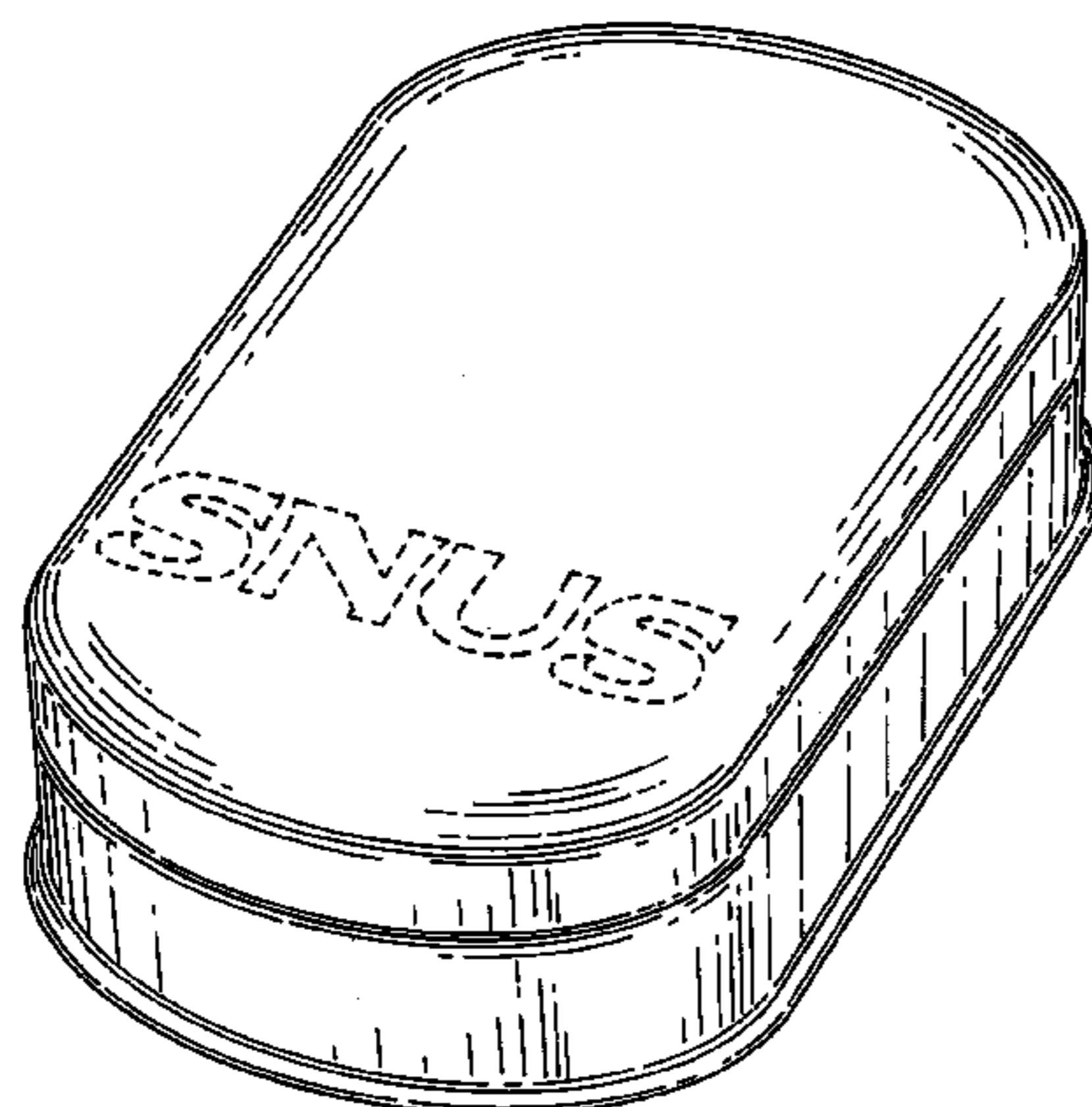
FIG. 5 is a front side elevation view of the container of FIG. 1, which is identical to the rear side elevation view;

FIG. 6 is a right side elevation view of the container of FIG. 1, which is identical to the left side elevation view; and,

FIG. 7 is a bottom perspective view of the container of FIG. 1 with the bottom compartment lid flipped open about 80 degrees, hinged on the short side of the container.

The ornamental design which is claimed is shown in solid lines in the drawings. The broken lines immediately within the recess along the bottom of the container represent the bounds of the claim. The remaining broken lines illustrate portions of the article. None of the broken lines forms part of the claimed design.

1 Claim, 5 Drawing Sheets



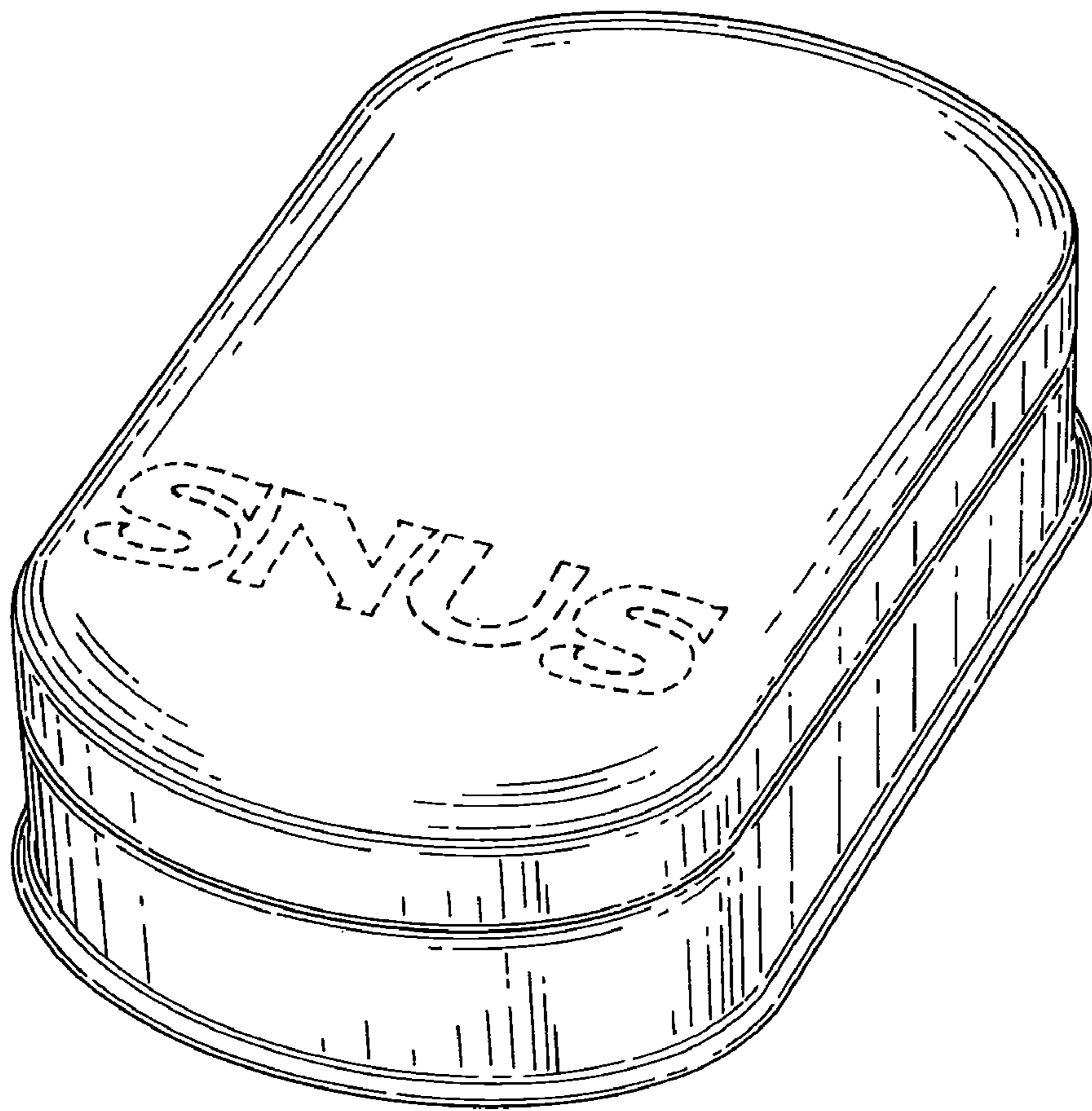


Fig. 1

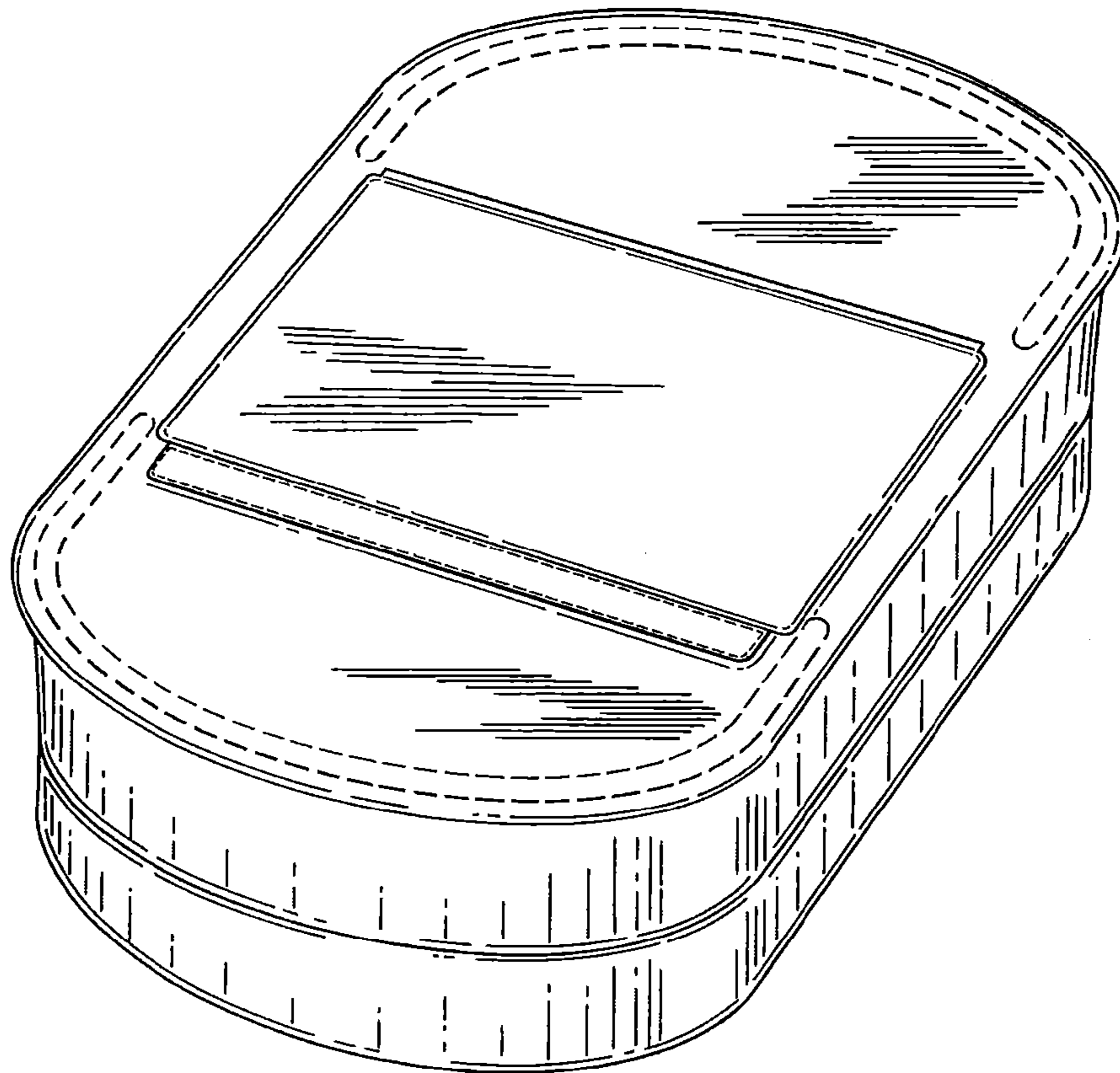


Fig. 2

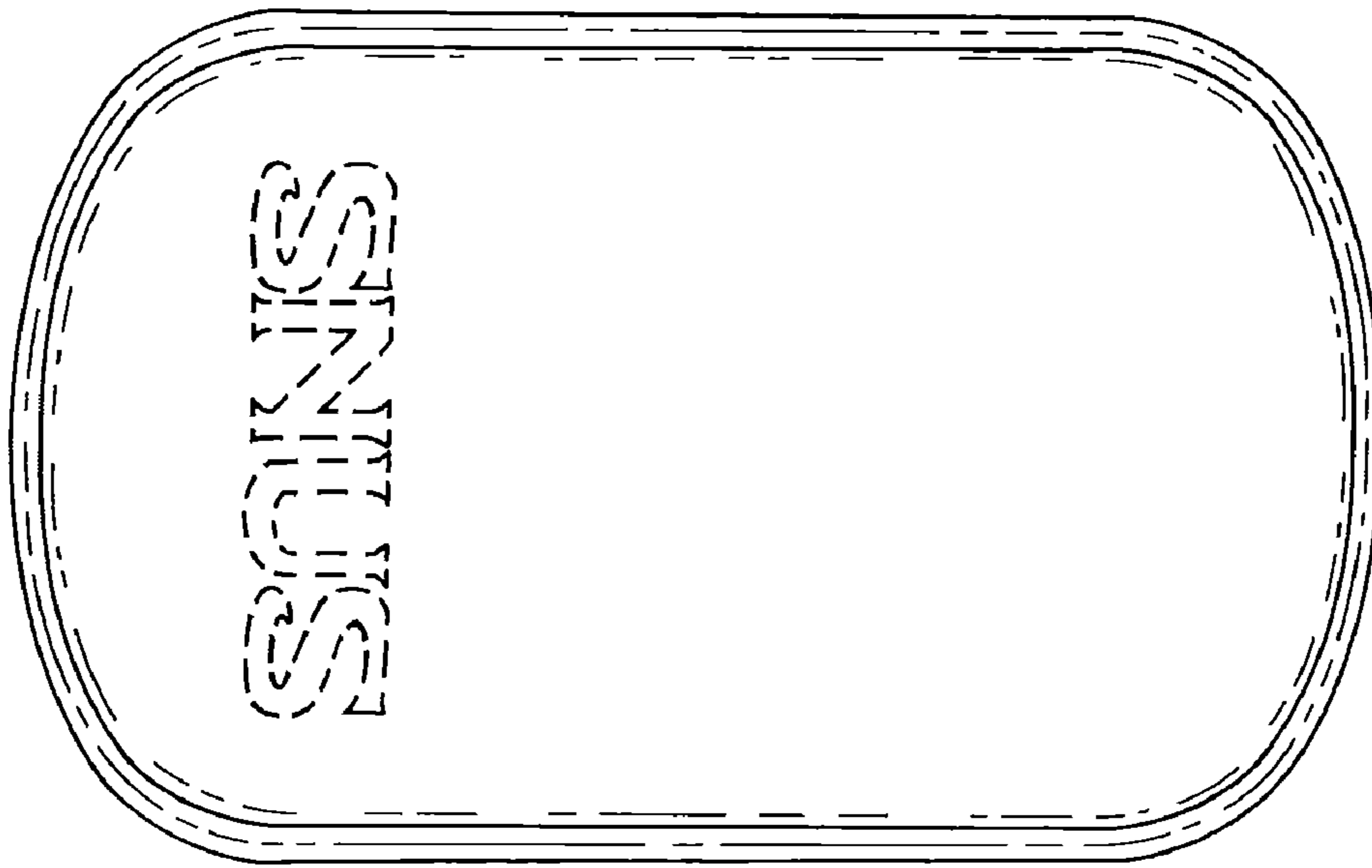


Fig. 3

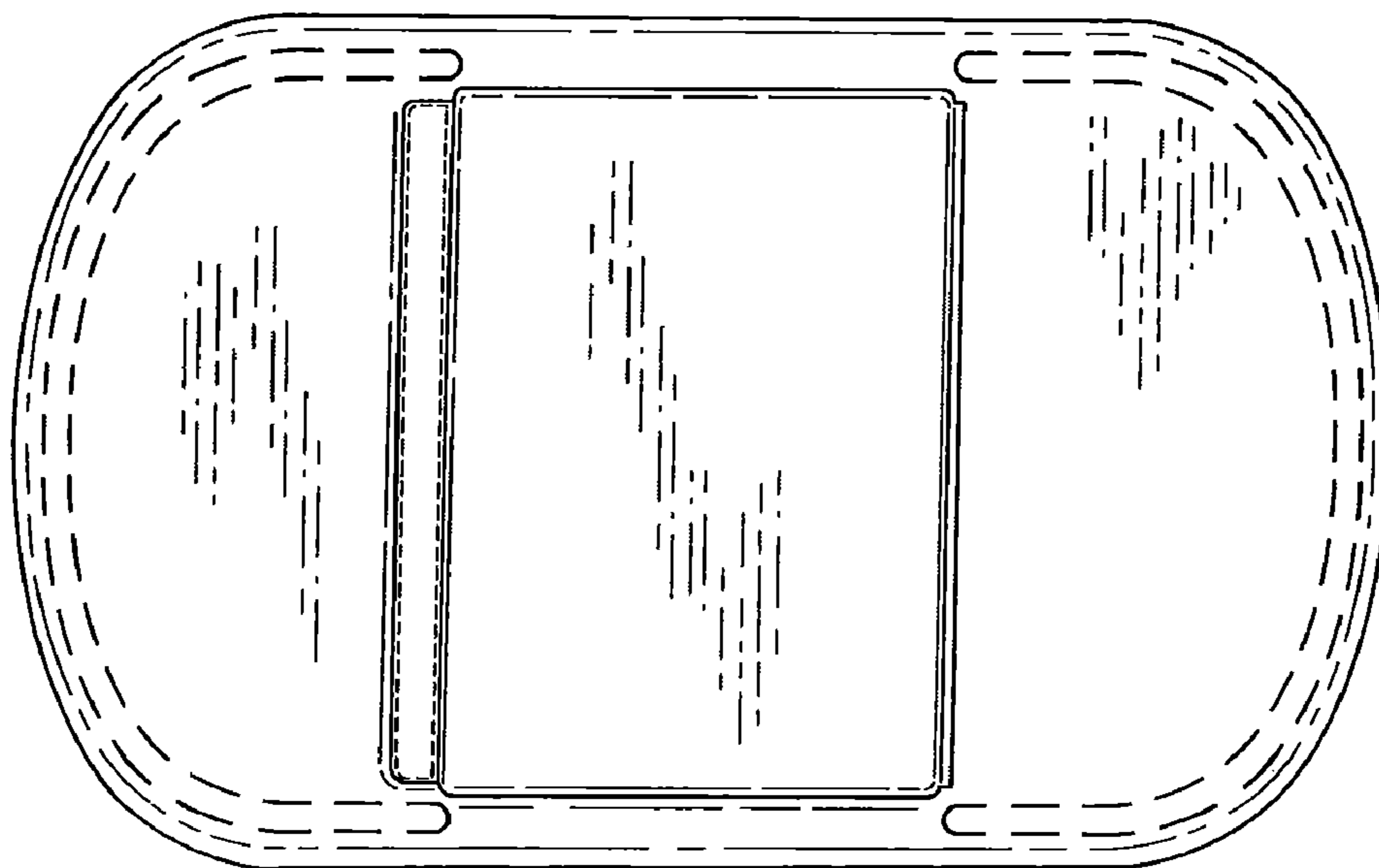


Fig. 4

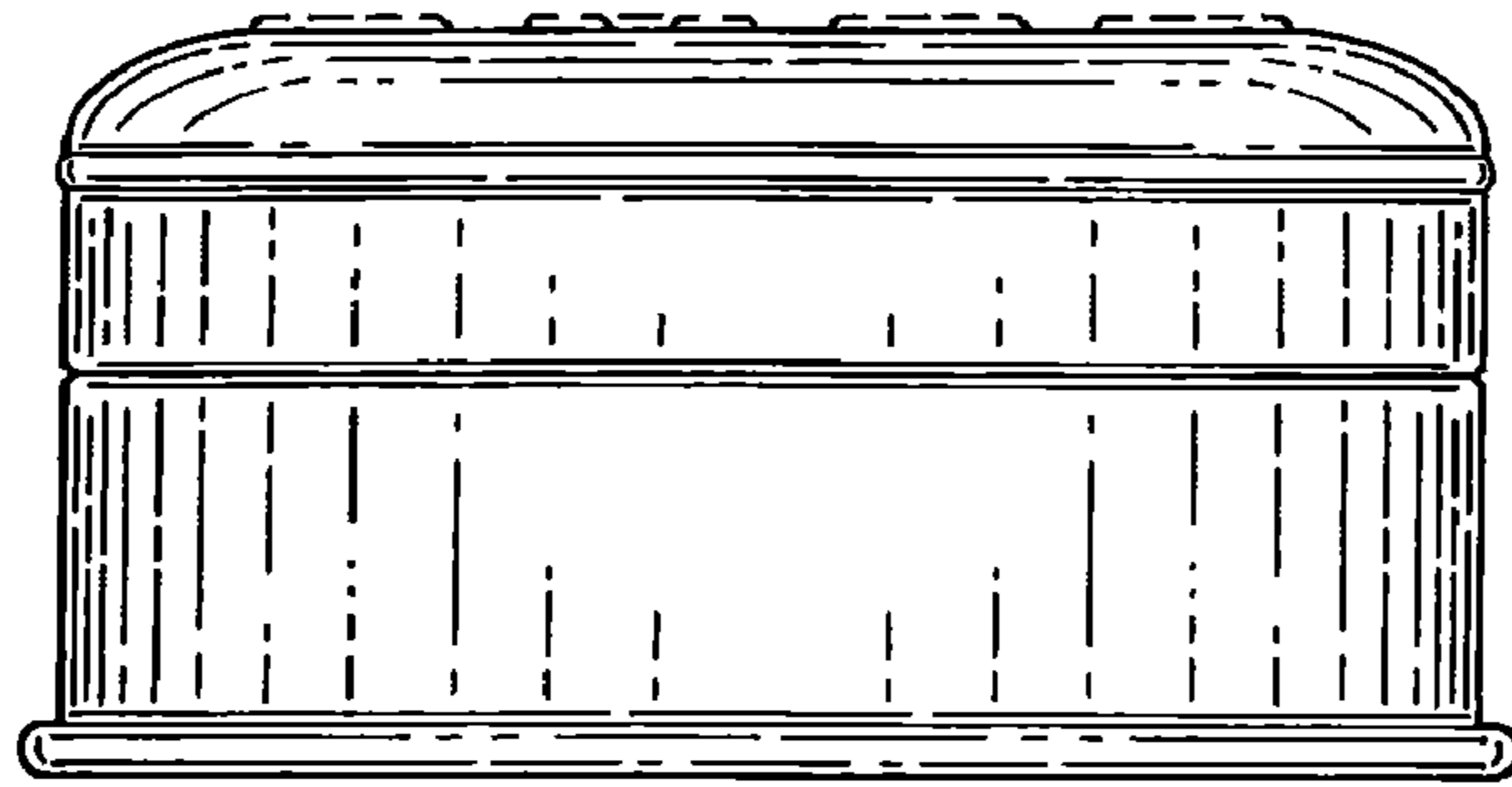


Fig. 5

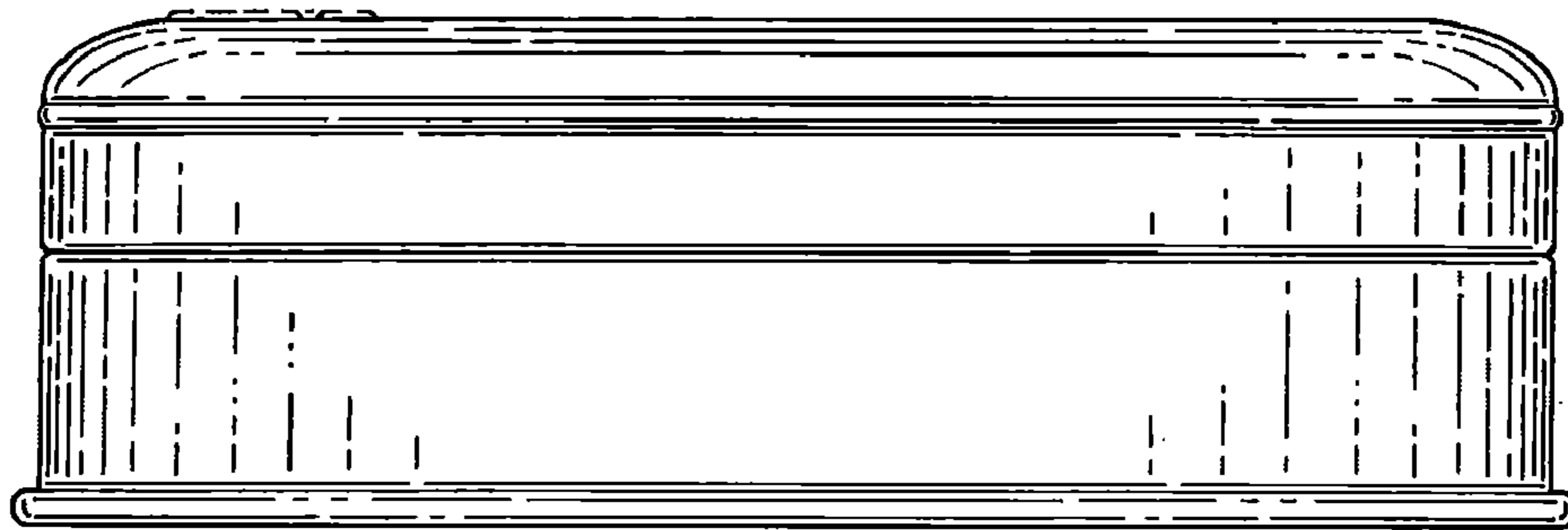


Fig. 6

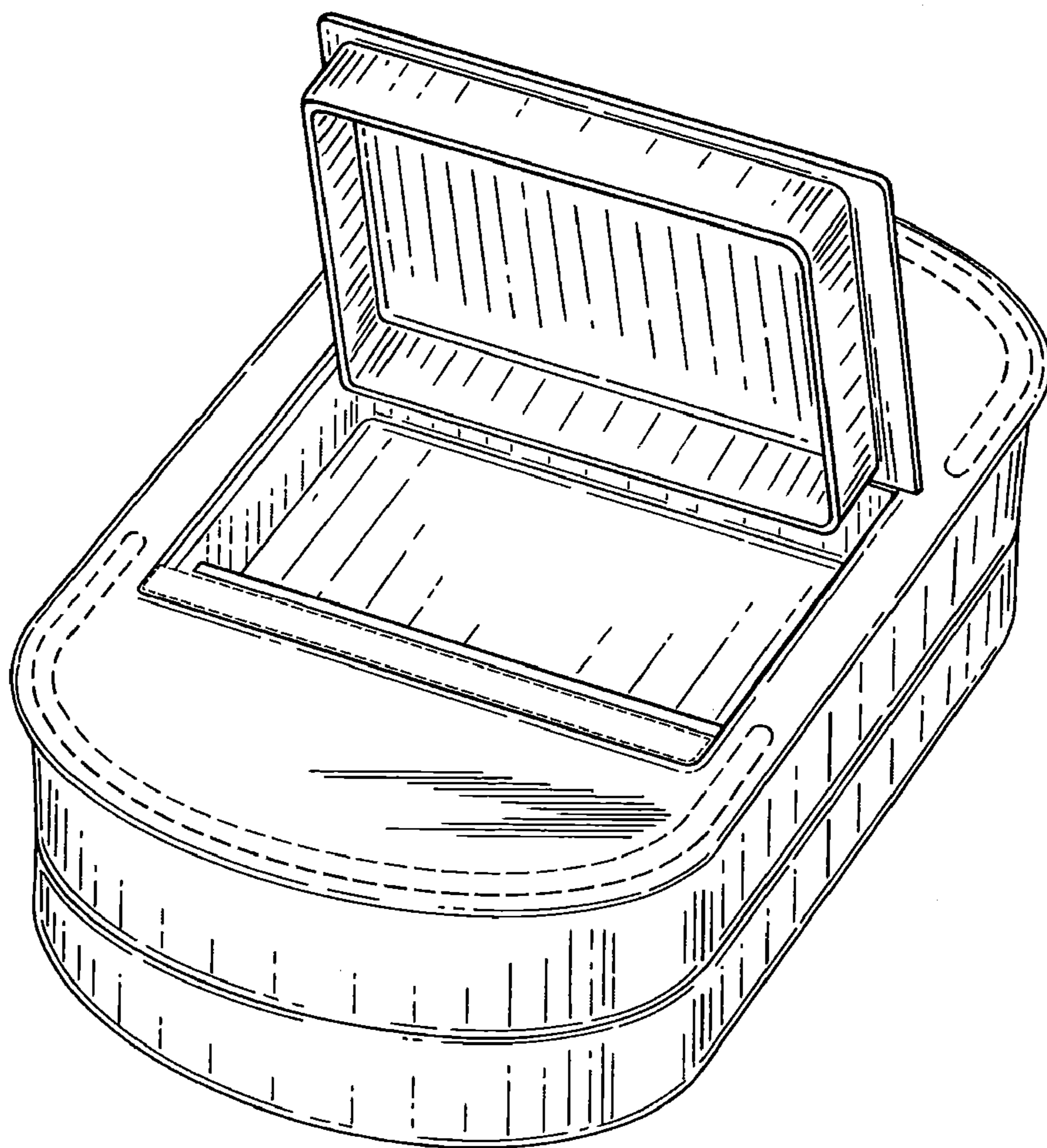


Fig. 7