



US00D649283S

(12) **United States Design Patent**  
**Wegscheider**

(10) **Patent No.:** **US D649,283 S**

(45) **Date of Patent:** **\*\* Nov. 22, 2011**

(54) **ACCESSORY FOR A LAMP**

(75) **Inventor:** **Martin Wegscheider**, Wattens (AT)

(73) **Assignee:** **Swarovski Aktiengesellschaft**, Triesen (LI)

(\*\*) **Term:** **14 Years**

(21) **Appl. No.:** **29/393,578**

(22) **Filed:** **Jun. 7, 2011**

(30) **Foreign Application Priority Data**

Jan. 27, 2011 (EM) ..... 001256887-0001

(51) **LOC (9) Cl.** ..... **26-99**

(52) **U.S. Cl.** ..... **D26/154**

(58) **Field of Classification Search** ..... D26/38,  
D26/36, 46, 73, 76, 81, 84, 88, 118, 138,  
D26/120, 13, 154, 155, 145, 86, 87, 85, 142,  
D26/61, 24, 93, 92, 153, 91, 89, 74, 121,  
D26/122, 71, 110, 105, 111, 131, 83, 80,  
D26/1, 2, 3, 4, 5, 26, 123, 125, 128, 63, 62,  
D26/64, 65, 41, 69, 139, 152, 150, 151, 141,  
D26/143, 144, 51, 140; 362/269, 648, 238,  
362/111, 105, 86, 373, 294, 362, 297, 346,  
362/341, 356, 352, 433, 404, 235, 240, 249.01-249.11,  
362/321, 287, 374, 427, 190, 281, 324, 272,  
362/244, 555, 147, 348, 263, 350; D10/11,  
D10/114.1; D22/108; 42/146, 117, 114,  
42/115, 116, 142, 1.01; 439/110; 403/92,  
403/97; 285/69, 78, 65; 257/89; D16/221;  
D13/110, 133, 134, 179, 180, 182; 160/332;  
D11/90, 89, 121, 125, 131; D25/119, 124,  
D25/125, 138; D23/386; D8/373, 354, 349,  
D8/389, 382, 363, 356, 377

See application file for complete search history.

(56) **References Cited**

U.S. PATENT DOCUMENTS

|           |   |   |         |                   |       |         |
|-----------|---|---|---------|-------------------|-------|---------|
| D45,668   | S | * | 4/1914  | Heller            | ..... | D11/90  |
| D92,694   | S | * | 7/1934  | Bayardi           | ..... | D11/90  |
| 2,009,390 | A | * | 7/1935  | Bayardi           | ..... | 63/32   |
| D212,290  | S | * | 9/1968  | Burnbaum          | ..... | D11/125 |
| D262,200  | S | * | 12/1981 | Kirwan            | ..... | D11/90  |
| D354,014  | S | * | 1/1995  | Cohen             | ..... | D11/90  |
| D395,844  | S | * | 7/1998  | Ambar             | ..... | D11/90  |
| D399,165  | S | * | 10/1998 | Katz              | ..... | D11/90  |
| D400,470  | S | * | 11/1998 | Ambar             | ..... | D11/90  |
| D400,819  | S | * | 11/1998 | Ambar             | ..... | D11/90  |
| D411,479  | S | * | 6/1999  | Yerushalmi et al. | ..... | D11/90  |
| D419,909  | S | * | 2/2000  | Freilich          | ..... | D11/90  |
| D434,692  | S | * | 12/2000 | Freilich          | ..... | D11/90  |
| D439,541  | S | * | 3/2001  | Jang              | ..... | D11/90  |
| D472,670  | S | * | 4/2003  | Forster           | ..... | D26/154 |
| D476,286  | S | * | 6/2003  | Chung             | ..... | D12/213 |
| D485,507  | S | * | 1/2004  | Ho                | ..... | D11/90  |
| D490,340  | S | * | 5/2004  | Ho                | ..... | D11/90  |
| D496,300  | S | * | 9/2004  | Polack et al.     | ..... | D11/90  |

(Continued)

*Primary Examiner* — Kevin Rudzinski

(74) *Attorney, Agent, or Firm* — Wenderoth, Lind & Ponack, L.L.P.

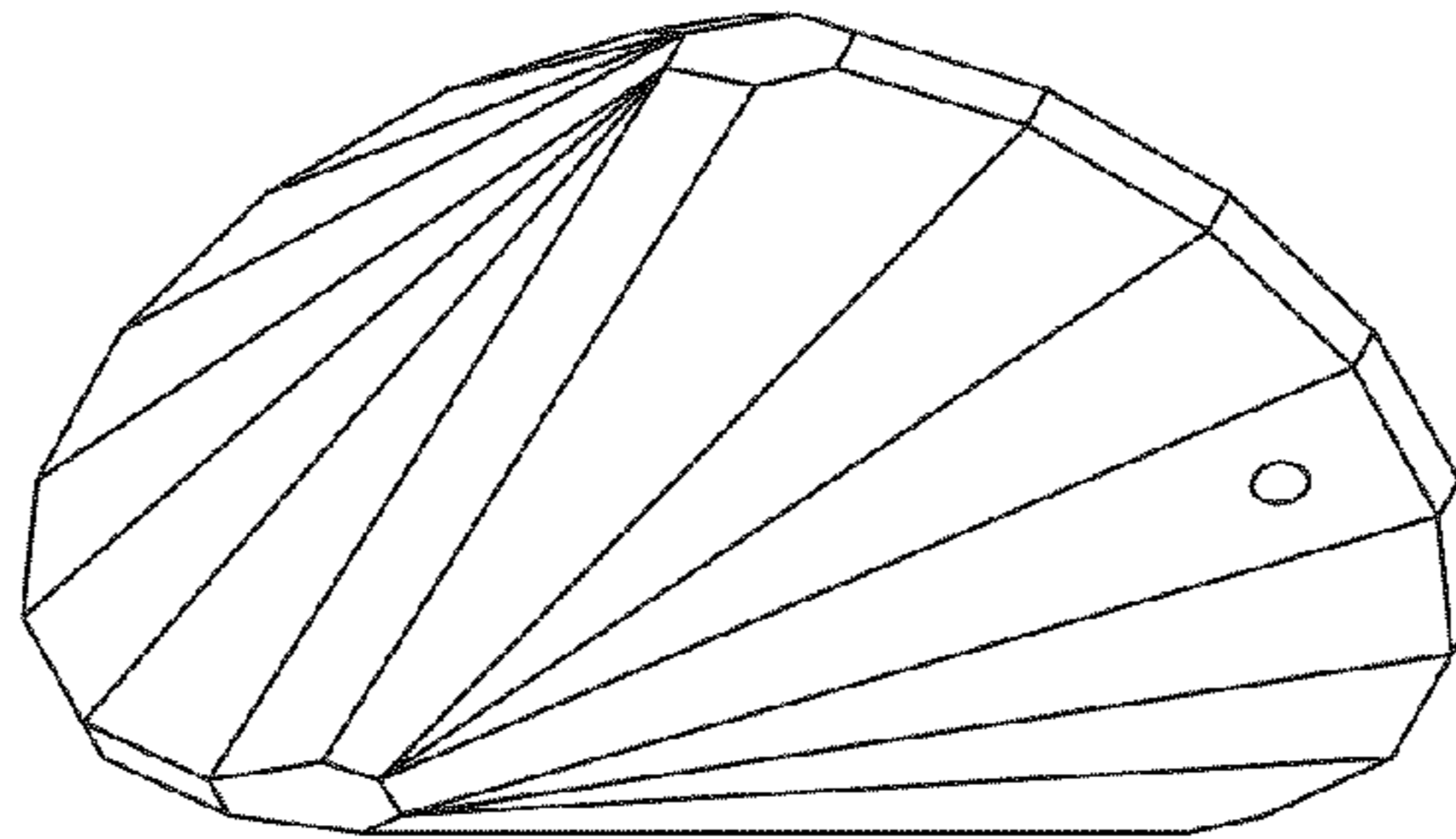
(57) **CLAIM**

The ornamental design for an accessory for a lamp, as shown and described.

**DESCRIPTION**

FIG. 1 is a perspective view of the invention;  
FIG. 2 is a top view of the invention;  
FIG. 3 is a front view of the invention;  
FIG. 4 is a right side view of the invention;  
FIG. 5 is a rear view of the invention;  
FIG. 6 is a bottom view of the invention;  
FIG. 7 is a left side view of the invention; and,  
FIG. 8 is a cross-sectional view of the invention showing a through-hole.

**1 Claim, 2 Drawing Sheets**



# US D649,283 S

Page 2

## U.S. PATENT DOCUMENTS

|              |         |                   |         |                   |         |                    |         |
|--------------|---------|-------------------|---------|-------------------|---------|--------------------|---------|
| D499,837 S * | 12/2004 | Schonbek .....    | D26/154 | D594,377 S *      | 6/2009  | Ming .....         | D11/90  |
| D503,011 S * | 3/2005  | Schonbek .....    | D26/154 | D596,068 S *      | 7/2009  | Peled et al. ....  | D11/90  |
| D524,187 S * | 7/2006  | Golan .....       | D11/90  | D597,883 S *      | 8/2009  | Forster .....      | D11/90  |
| D526,084 S * | 8/2006  | Yando et al. .... | D26/153 | D607,366 S *      | 1/2010  | Schweiger .....    | D11/89  |
| D526,925 S * | 8/2006  | Granig .....      | D11/90  | D608,683 S *      | 1/2010  | Swarovski .....    | D11/90  |
| D534,303 S * | 12/2006 | Yando et al. .... | D26/154 | D609,597 S *      | 2/2010  | Gut .....          | D11/89  |
| D560,543 S * | 1/2008  | Granig .....      | D11/90  | D618,131 S *      | 6/2010  | Bartl et al. ....  | D11/89  |
| D560,548 S * | 1/2008  | Granig .....      | D11/90  | D620,192 S *      | 7/2010  | Meyer .....        | D26/154 |
| D568,200 S * | 5/2008  | Chui .....        | D11/90  | D626,026 S *      | 10/2010 | Granig .....       | D11/89  |
| D576,349 S * | 9/2008  | Mair .....        | D26/154 | D626,283 S *      | 10/2010 | Renner .....       | D26/154 |
| D588,041 S * | 3/2009  | Swarovski .....   | D11/90  | D626,685 S *      | 11/2010 | Gut .....          | D26/154 |
| D588,951 S * | 3/2009  | Richter .....     | D11/89  | D638,575 S *      | 5/2011  | Meyer .....        | D26/154 |
| D592,988 S * | 5/2009  | Mosmann .....     | D11/89  | 2003/0145623 A1 * | 8/2003  | Yaskil et al. .... | 63/26   |
| D594,368 S * | 6/2009  | Mosmann .....     | D11/89  |                   |         |                    |         |

\* cited by examiner

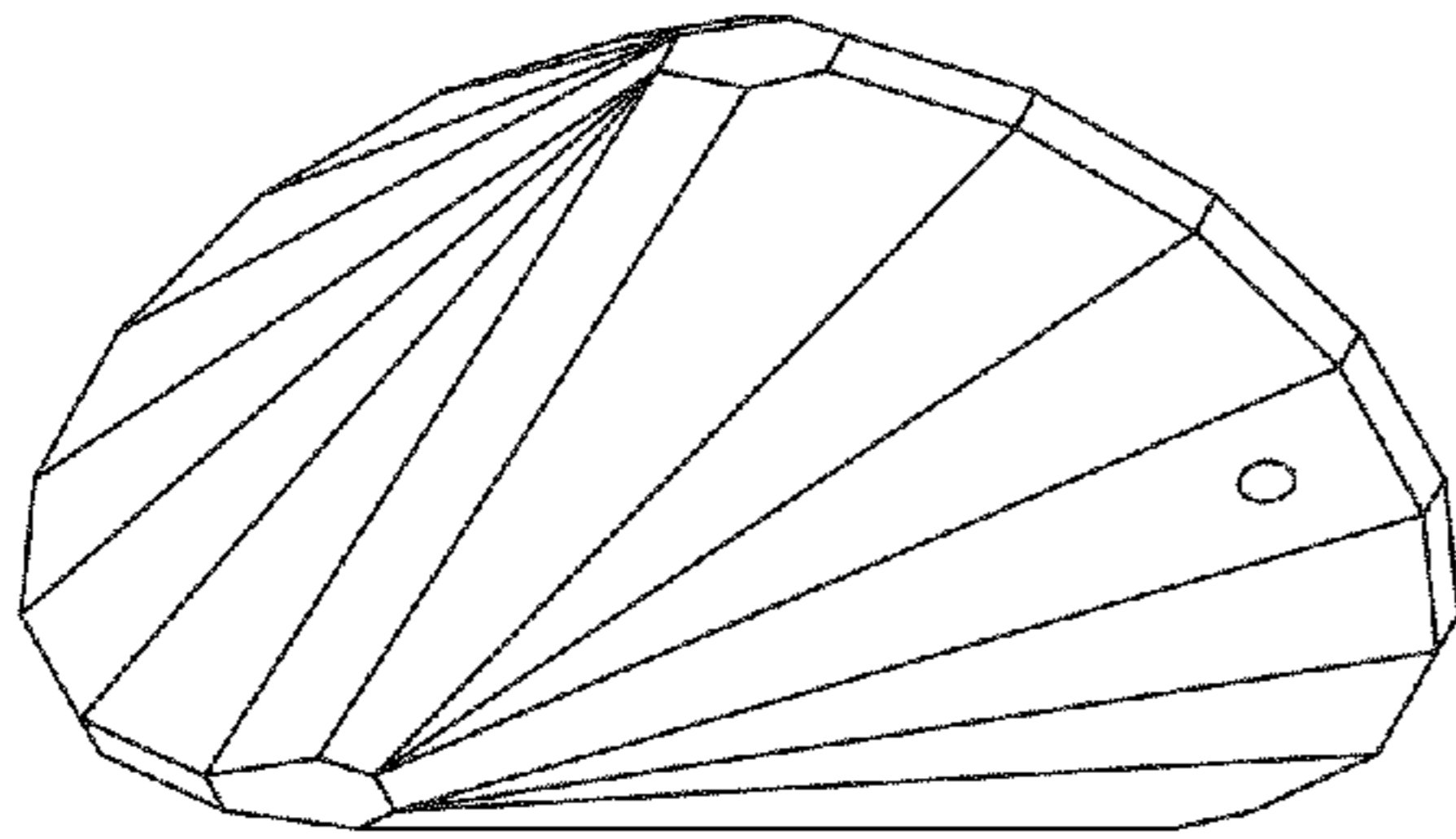


Fig. 1

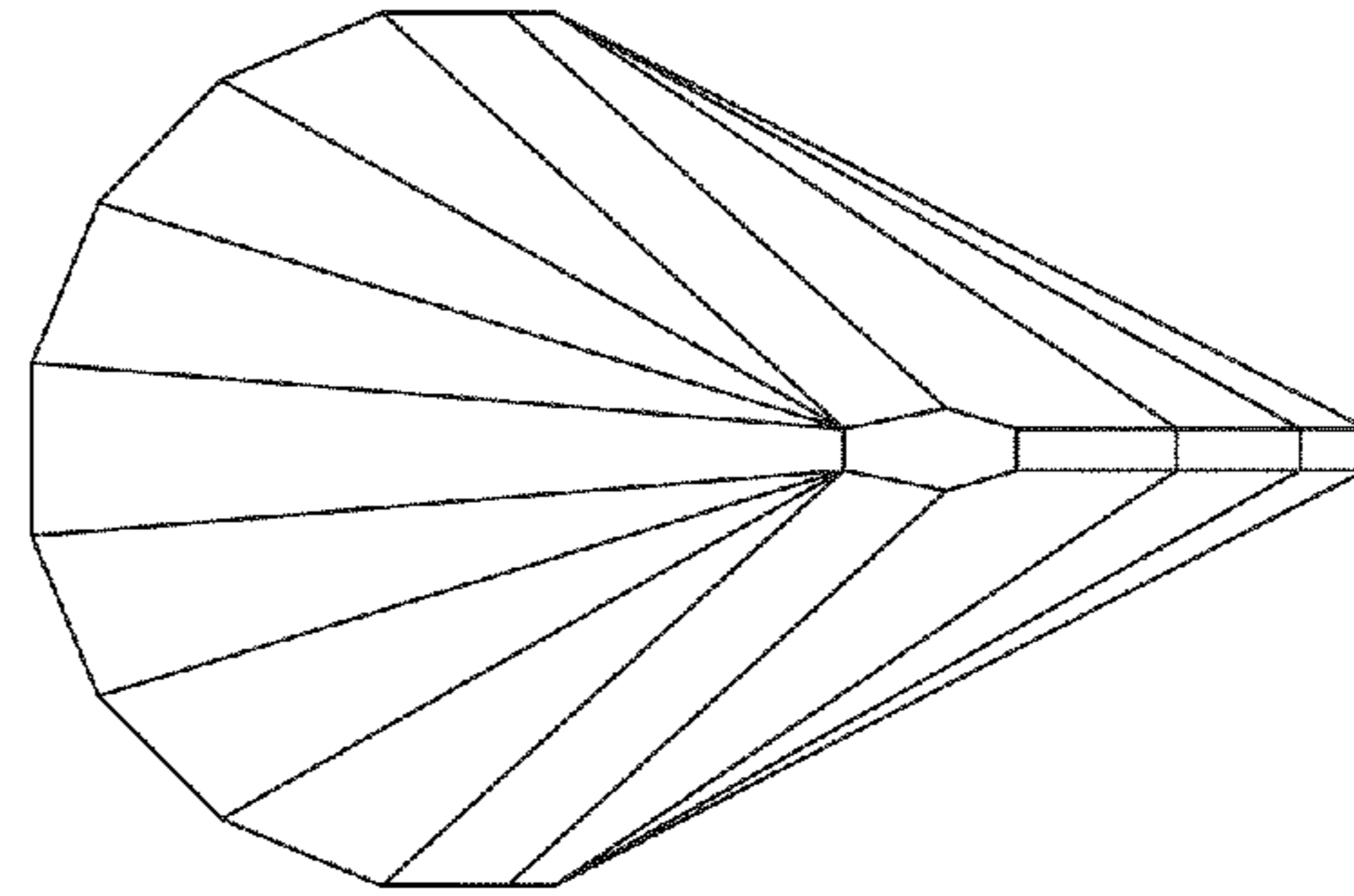


Fig. 2

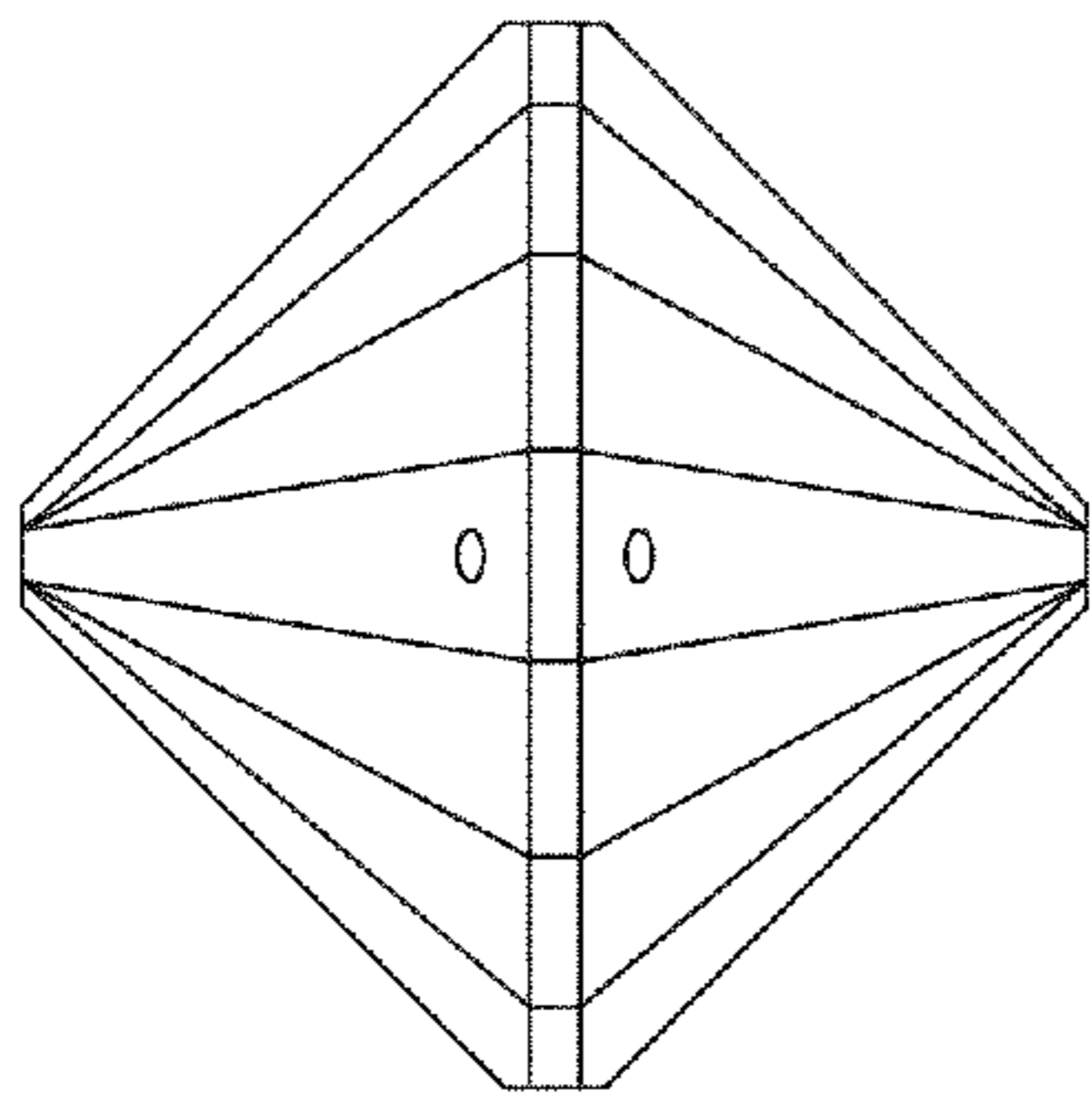


Fig. 3

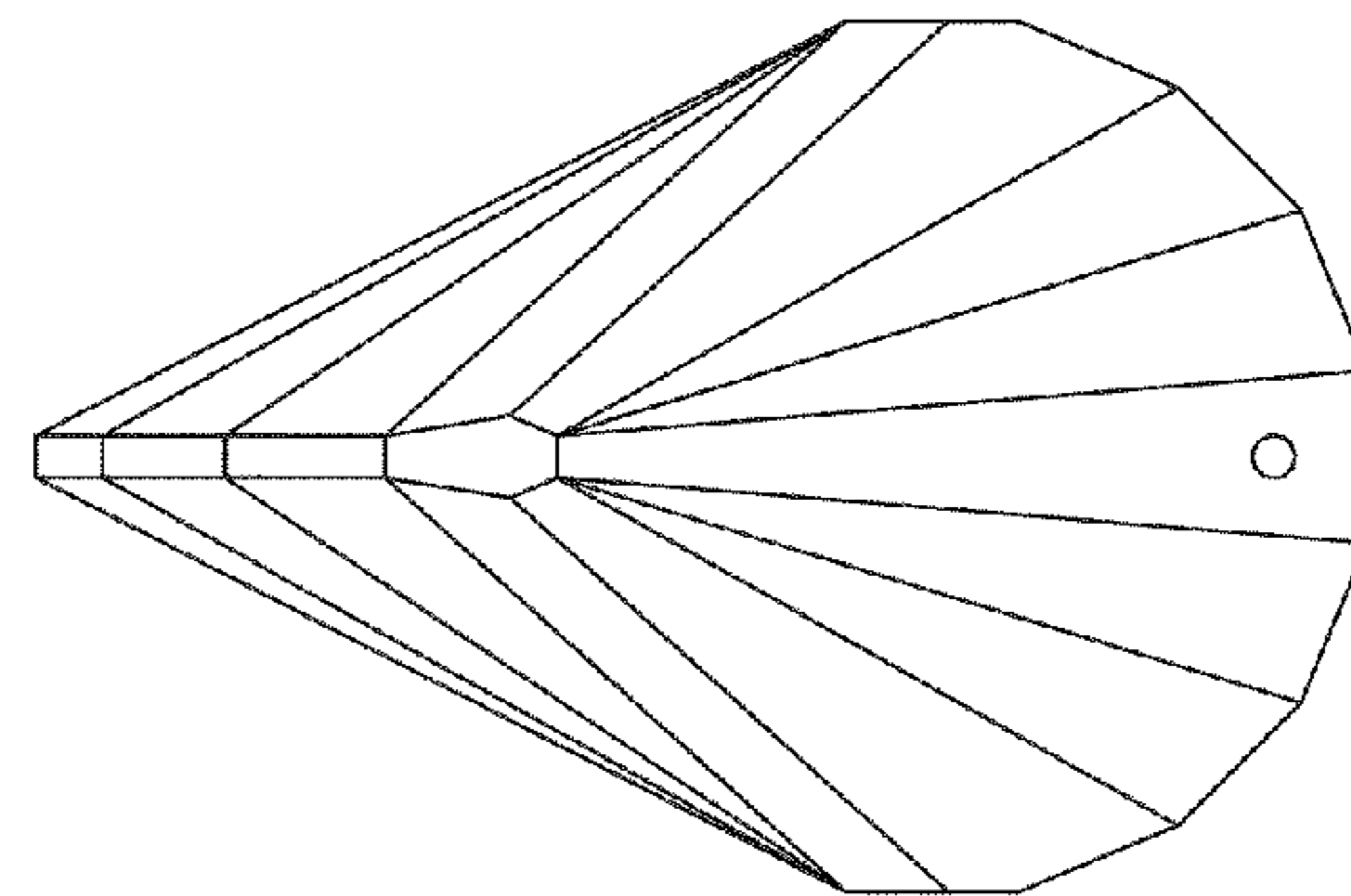


Fig. 4

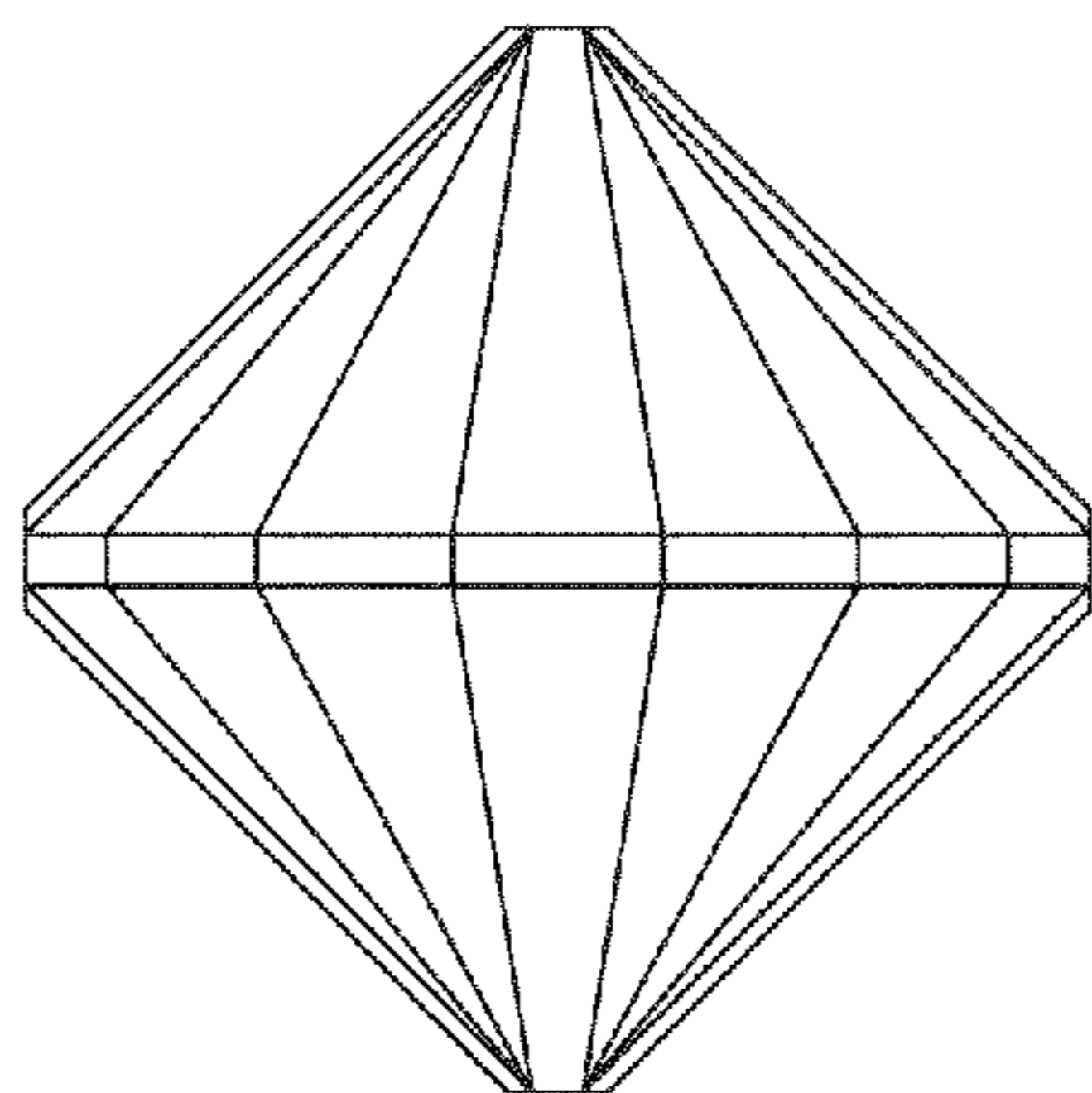


Fig. 5

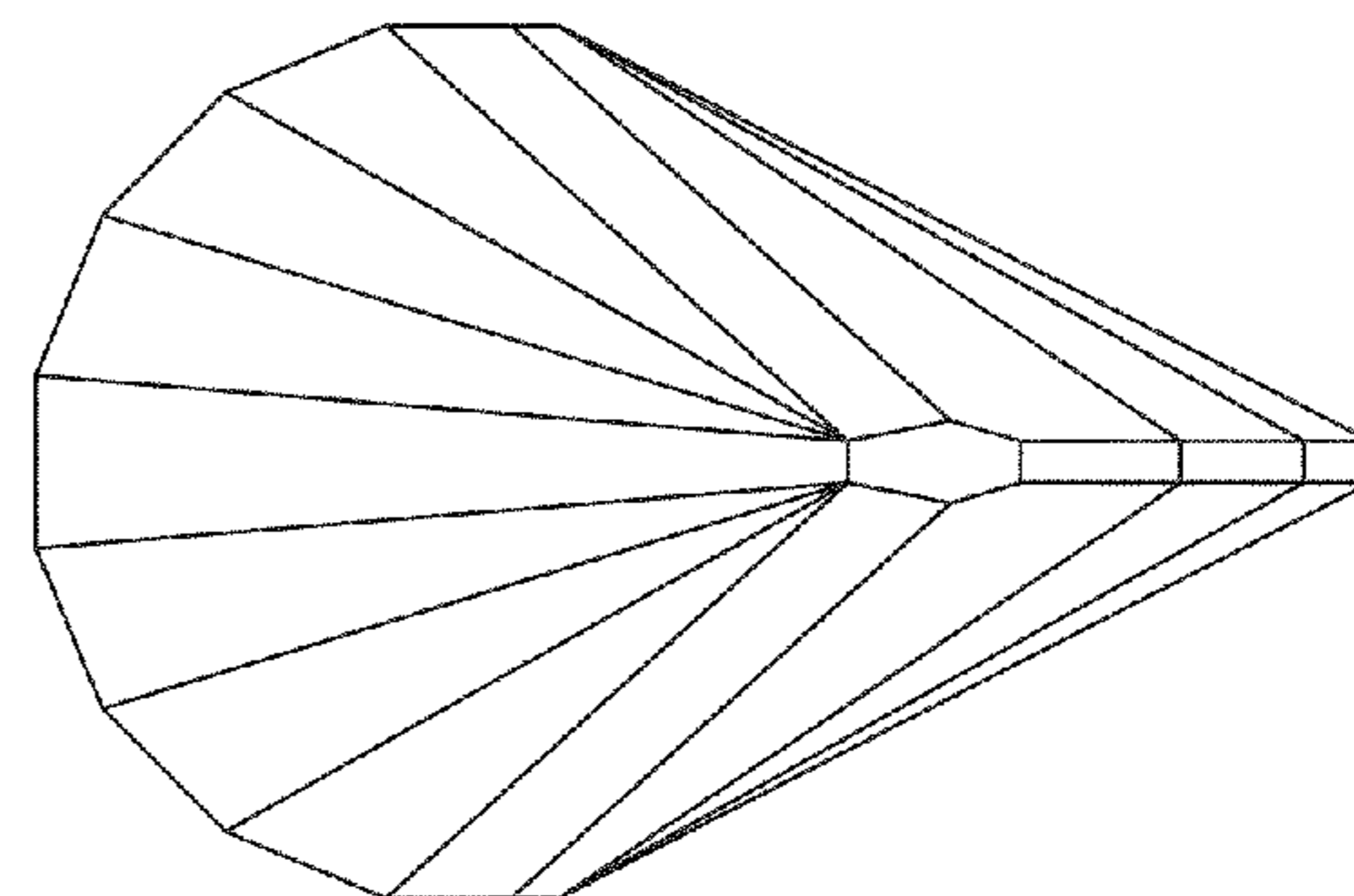


Fig. 6

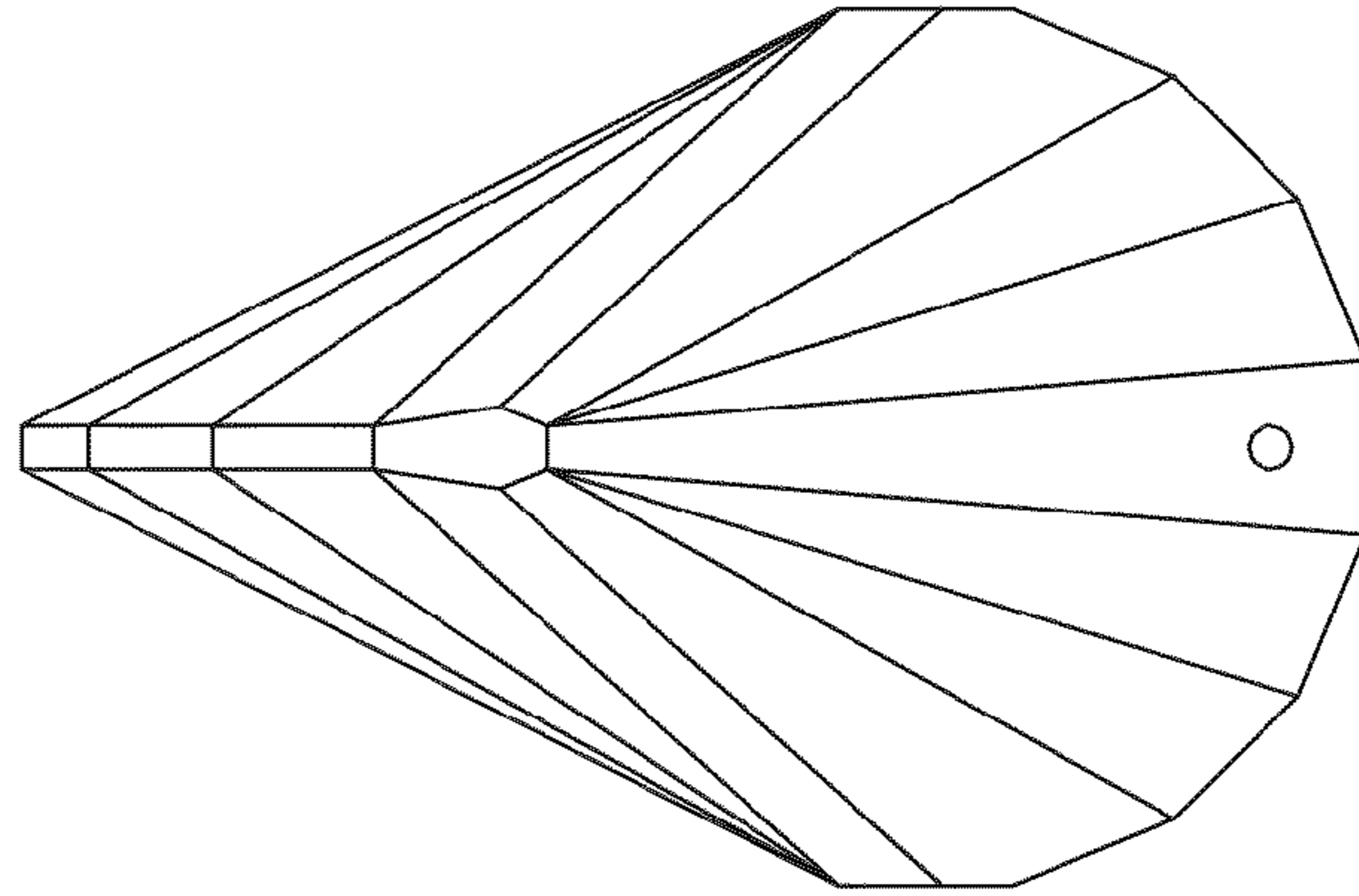


Fig. 7

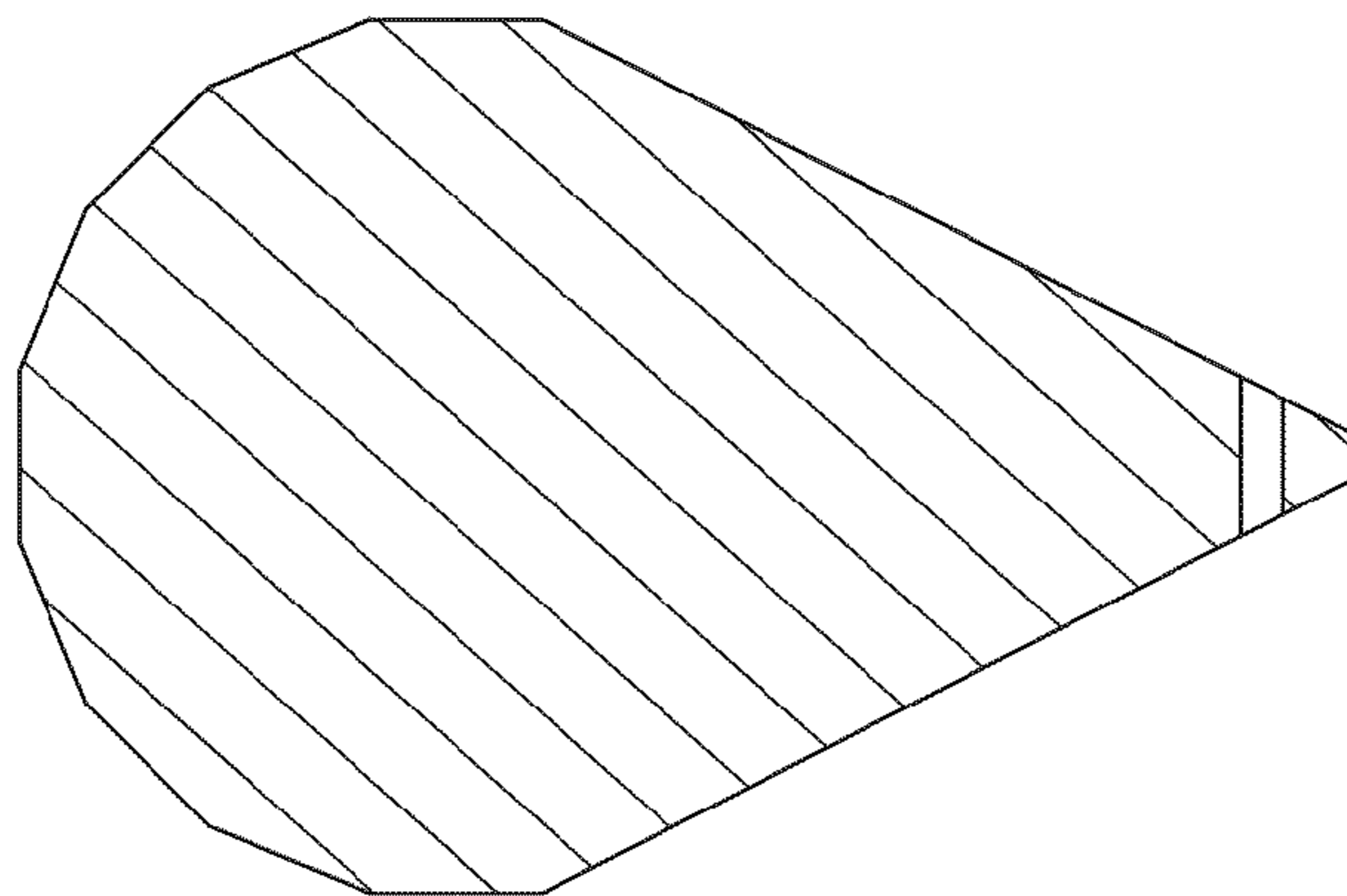


Fig. 8