



US00D649282S

(12) **United States Design Patent**
McDonald et al.

(10) **Patent No.:** **US D649,282 S**

(45) **Date of Patent:** **** Nov. 22, 2011**

(54) **ARCHITECTURAL LIGHT SHELF**

(75) Inventors: **Mark McDonald**, Beaconsfield (CA);
Jack Zagorski, Saint Lazare (CA);
Anderson Zheng, Montreal (CA)

(73) Assignee: **Railquip Entreprises Inc.**, Baie D'urfé (CA)

(**) Term: **14 Years**

(21) Appl. No.: **29/366,119**

(22) Filed: **Jul. 20, 2010**

(51) **LOC (9) Cl.** **26-99**

(52) **U.S. Cl.** **D26/118**

(58) **Field of Classification Search** D26/138,
D26/63, 128, 124, 24, 87, 145, 155, 140,
D26/85, 113, 142, 118, 64, 2, 3, 68, 71, 67,
D26/76, 65, 120; 362/219, 249.01, 249.02,
362/249.03, 249.04, 249.05, 249.06, 249.07,
362/249.08, 249.09, 249.1, 249.11, 580,
362/373, 290, 362, 183, 240, 294; D7/532,
D7/530, 529, 523, 531, 587; D11/152, 153,
D11/146; D16/134, 135, 101; 439/110,
439/698, 417, 320; D13/134, 179, 180

See application file for complete search history.

(56) **References Cited**

U.S. PATENT DOCUMENTS

| | | | | |
|-----------|------|---------|-----------------|---------|
| 5,062,464 | A | 11/1991 | Peterson | |
| D444,262 | S * | 6/2001 | Eberlein et al. | D26/118 |
| D445,943 | S * | 7/2001 | Littman | D26/87 |
| 6,267,169 | B1 | 7/2001 | McDonald | |
| D448,106 | S * | 9/2001 | Lin | D26/87 |
| 6,386,723 | B1 * | 5/2002 | Eberlein et al. | 362/33 |
| D472,668 | S * | 4/2003 | Herst et al. | D26/118 |
| 6,808,000 | B1 | 10/2004 | Peterson | |
| 6,832,843 | B2 * | 12/2004 | Adler et al. | 362/247 |
| D505,221 | S * | 5/2005 | Hetfield | D26/76 |
| D513,439 | S * | 1/2006 | Hetfield | D26/76 |

| | | | | |
|-----------|-----|--------|----------|---------|
| D514,738 | S * | 2/2006 | Wachter | D26/142 |
| 7,156,142 | B2 | 1/2007 | Peterson | |
| D546,493 | S * | 7/2007 | Friedman | D26/76 |
| D547,898 | S * | 7/2007 | Tseng | D26/78 |

FOREIGN PATENT DOCUMENTS

| | | |
|----|------------|---------|
| AU | 653284 | 9/1994 |
| AU | 2004201914 | 11/2004 |
| CA | 2064348 | 9/1992 |
| CA | 2465433 | 11/2004 |
| CA | 2597703 | 11/2004 |
| DE | 69222416 | 4/1998 |
| EP | 0587572 | 9/1997 |
| EP | 1475508 | 11/2004 |
| JP | 4336614 | 9/2009 |

OTHER PUBLICATIONS

Hufcor Premier Bi-Fold Door; Hufcor, Inc.; found at <http://www.hufcorbifold.com/index.html>; printed Oct. 26, 2009; Copyright 2008; 2 pages.

Loschwand Products; Loschwand; found at <http://www.loschwand.de/eng/products/Products00.html>; printed Oct. 26, 2009; 1 page.

* cited by examiner

Primary Examiner — Cathron Brooks

Assistant Examiner — Kevin Rudzinski

(74) *Attorney, Agent, or Firm* — Norton Rose OR LLP

(57) **CLAIM**

The ornamental design for an architectural light shelf, as shown and described.

DESCRIPTION

FIG. 1 is a top perspective view of an architectural light shelf in accordance with our new design;

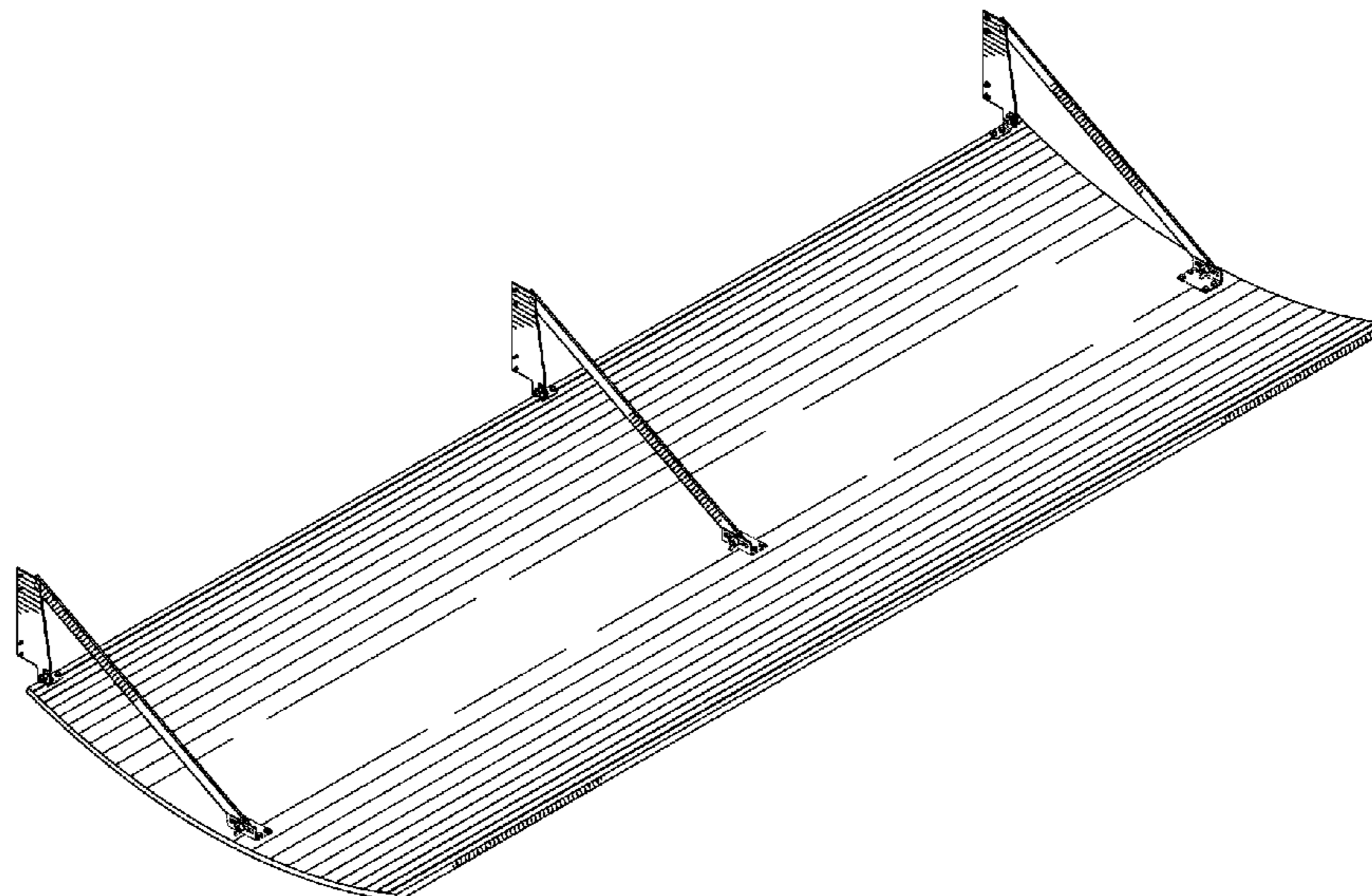
FIG. 2 is a right side view thereof;

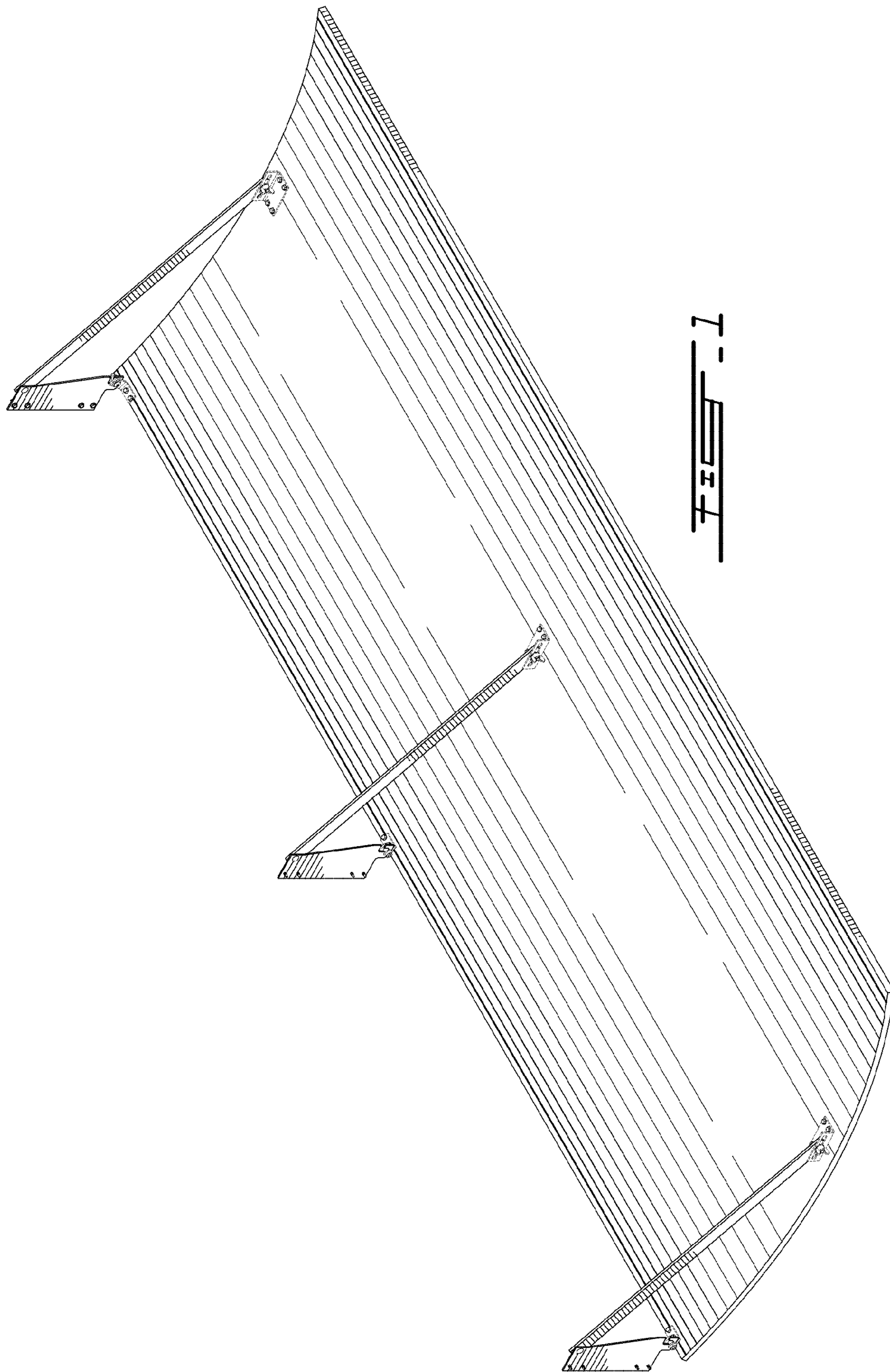
FIG. 3 is a top plan view thereof; and,

FIG. 4 is a front view thereof.

Any parts shown in broken lines form no part of the claimed design.

1 Claim, 3 Drawing Sheets





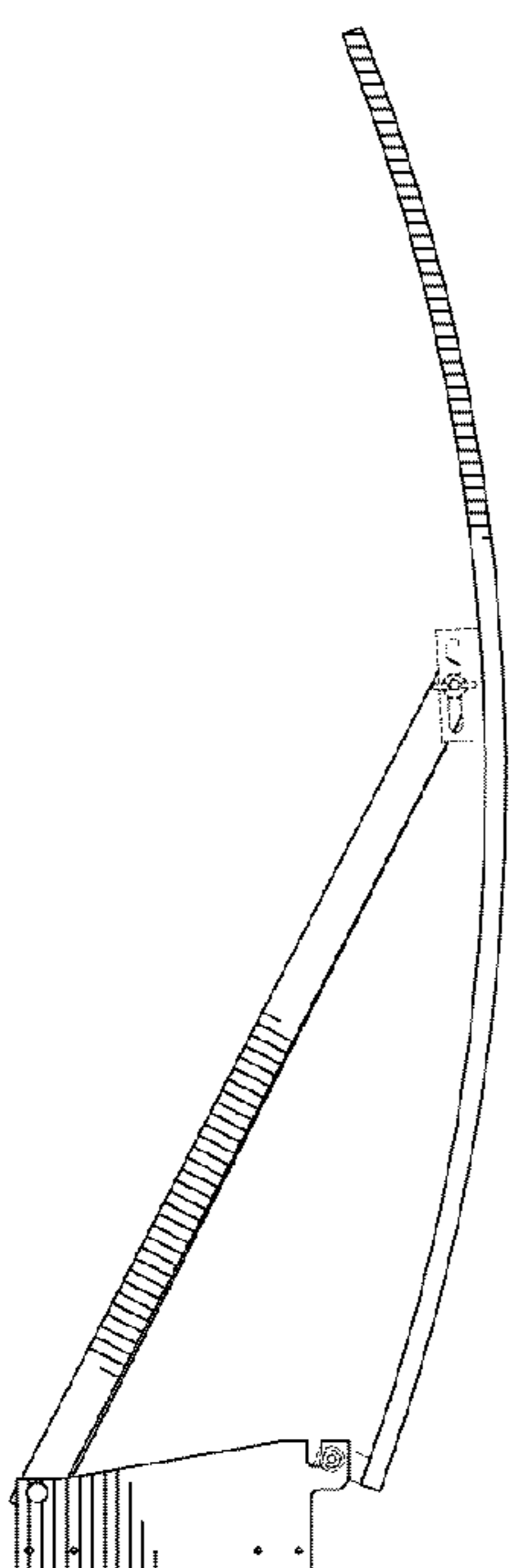


FIG. 2

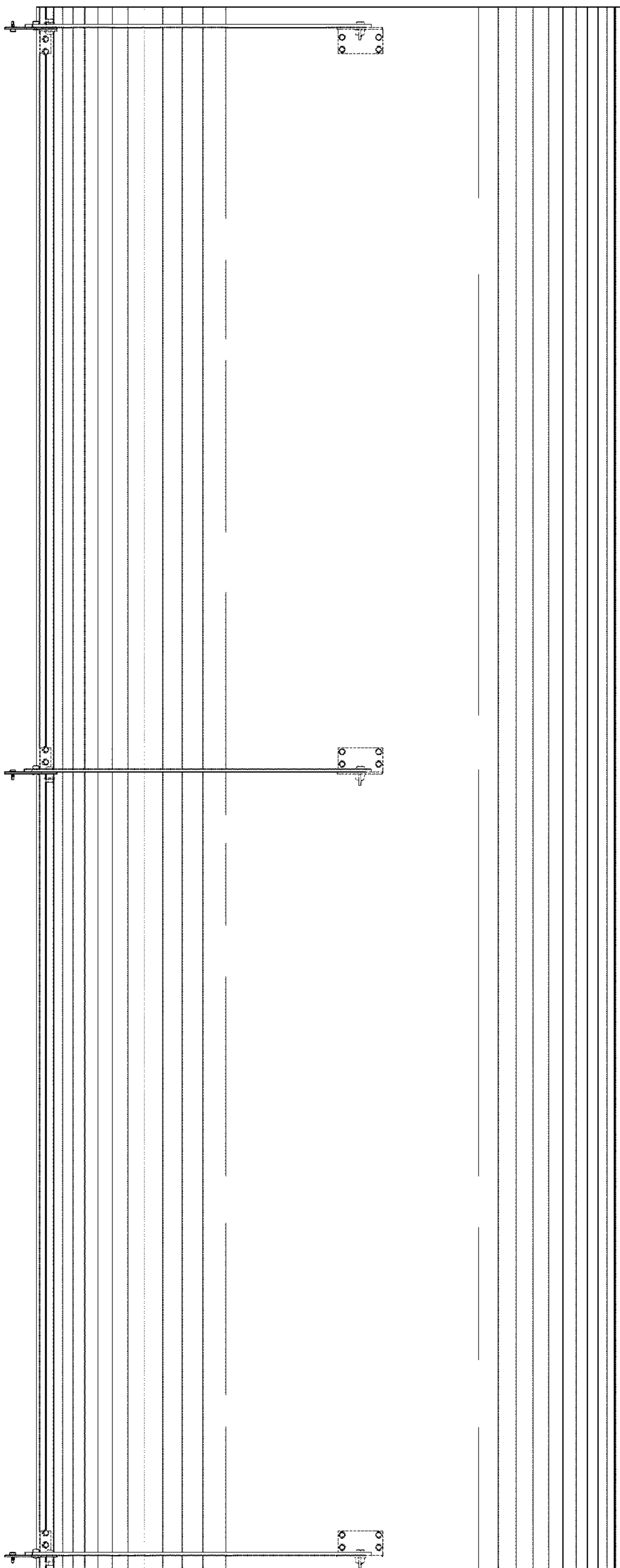


FIG. 3

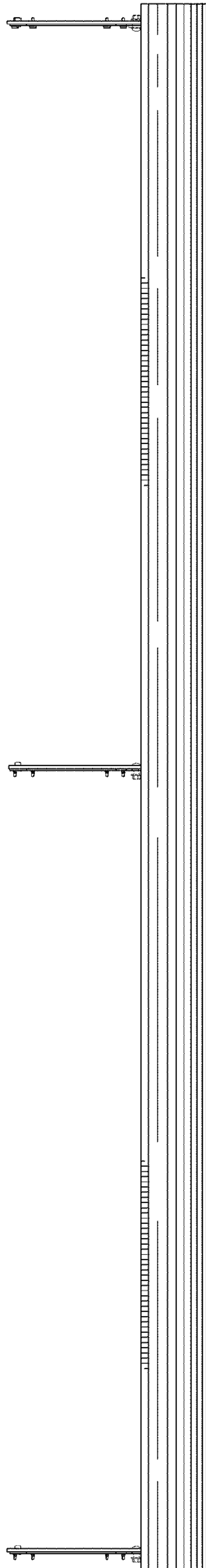


FIG. 4