



US00D649281S

(12) **United States Design Patent**
Sabernig

(10) **Patent No.:** **US D649,281 S**

(45) **Date of Patent:** **** Nov. 22, 2011**

(54) **LIGHT FIXTURE**

(75) Inventor: **Robert Sabernig**, Munster (AT)

(73) Assignee: **EGLO Leuchten GmbH**, Innsbruck (AT)

(**) Term: **14 Years**

(21) Appl. No.: **29/389,081**

(22) Filed: **Apr. 6, 2011**

(51) **LOC (9) Cl.** **26-03**

(52) **U.S. Cl.** **D26/90; D26/76**

(58) **Field of Classification Search** D26/75,
D26/76, 80-91; 362/147, 404-408, 217.01
See application file for complete search history.

(56) **References Cited**

U.S. PATENT DOCUMENTS

D128,786 S *	8/1941	McCann	D26/90
D314,059 S *	1/1991	O'Neil	D26/73
D319,110 S *	8/1991	Tatosian	D26/85
D320,465 S *	10/1991	Sonneman	D26/86
D468,474 S *	1/2003	Poulton	D26/90
D558,379 S *	12/2007	Citterio	D26/76
D595,890 S *	7/2009	Sabernig	D26/88
D601,742 S *	10/2009	Sabernig	D26/84
D637,338 S *	5/2011	Kong et al.	D26/88
D638,569 S *	5/2011	Heyrman	D26/90

OTHER PUBLICATIONS

"Contempra" light fixture #E22124-10 shown on p. 179 of the 2007 ET2 Lighting Catalog.*

"Contempra" light fixture #E22127-10 shown on p. 180 of the 2007 ET2 Lighting Catalog.*
Rear Cover of ET2 Lighting 2007 Catalog.*

* cited by examiner

Primary Examiner — Clare E Heflin

(74) *Attorney, Agent, or Firm* — Baker & McKenzie LLP

(57) **CLAIM**

The ornamental design for a light fixture, as shown and described.

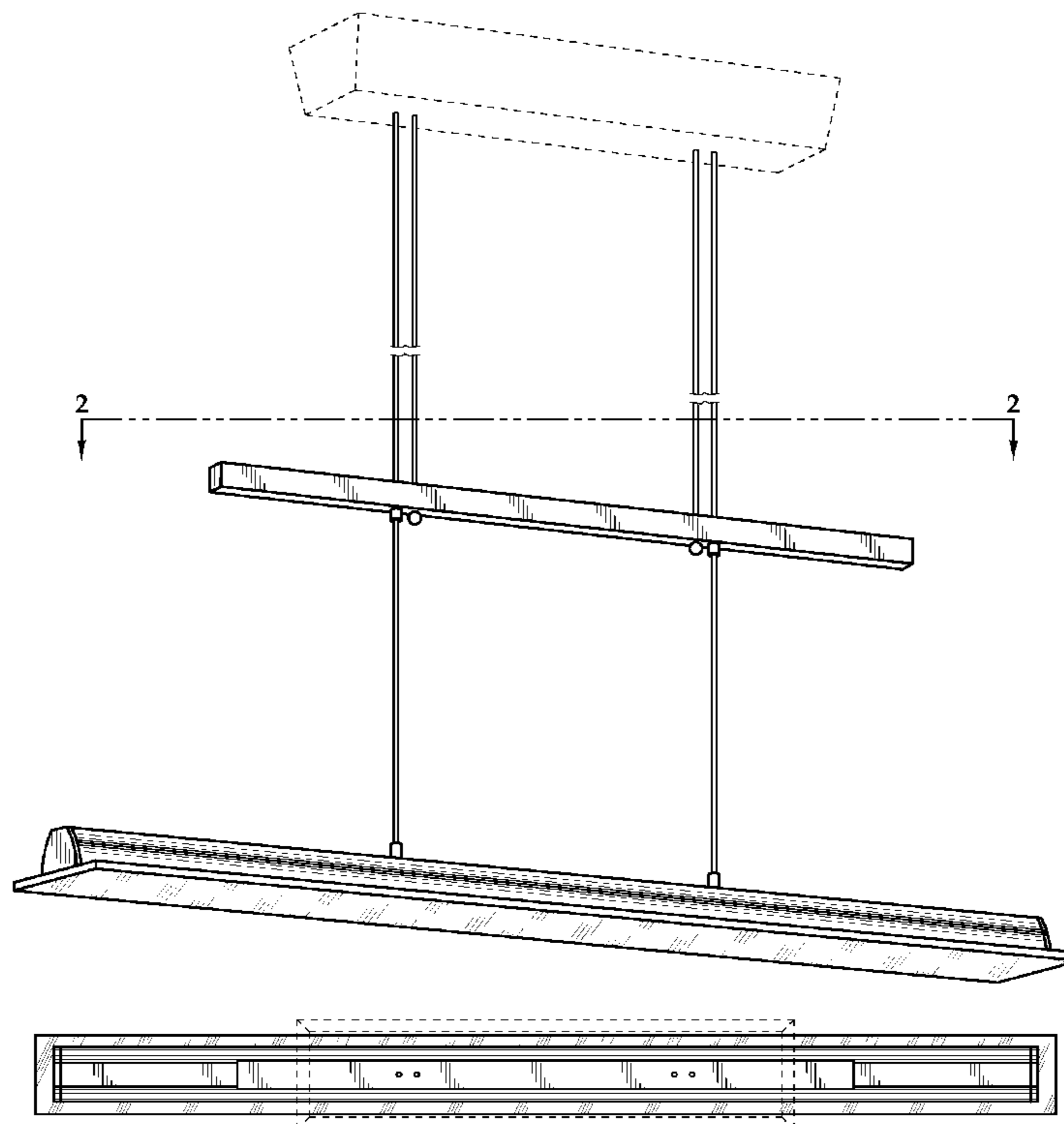
DESCRIPTION

FIG. 1 is a perspective view of a light fixture in accordance with my design;
FIG. 2 is a top plan view of the light fixture in accordance with my design;
FIG. 3 is a bottom plan view of the light fixture in accordance with my design;
FIG. 4 is a front elevation view of the light fixture in accordance with my design, the opposite view being a mirror image of that shown; and,
FIG. 5 is a side elevation view of the light fixture in accordance with my design, the opposite view being a mirror image of that shown.

The portions of the light fixture shown broken away in FIGS. 1-5 are to depict nonspecific length.

The broken-line disclosure of elements is understood to represent portions of the article in which the design is embodied, but which form no part of the claimed design.

1 Claim, 2 Drawing Sheets



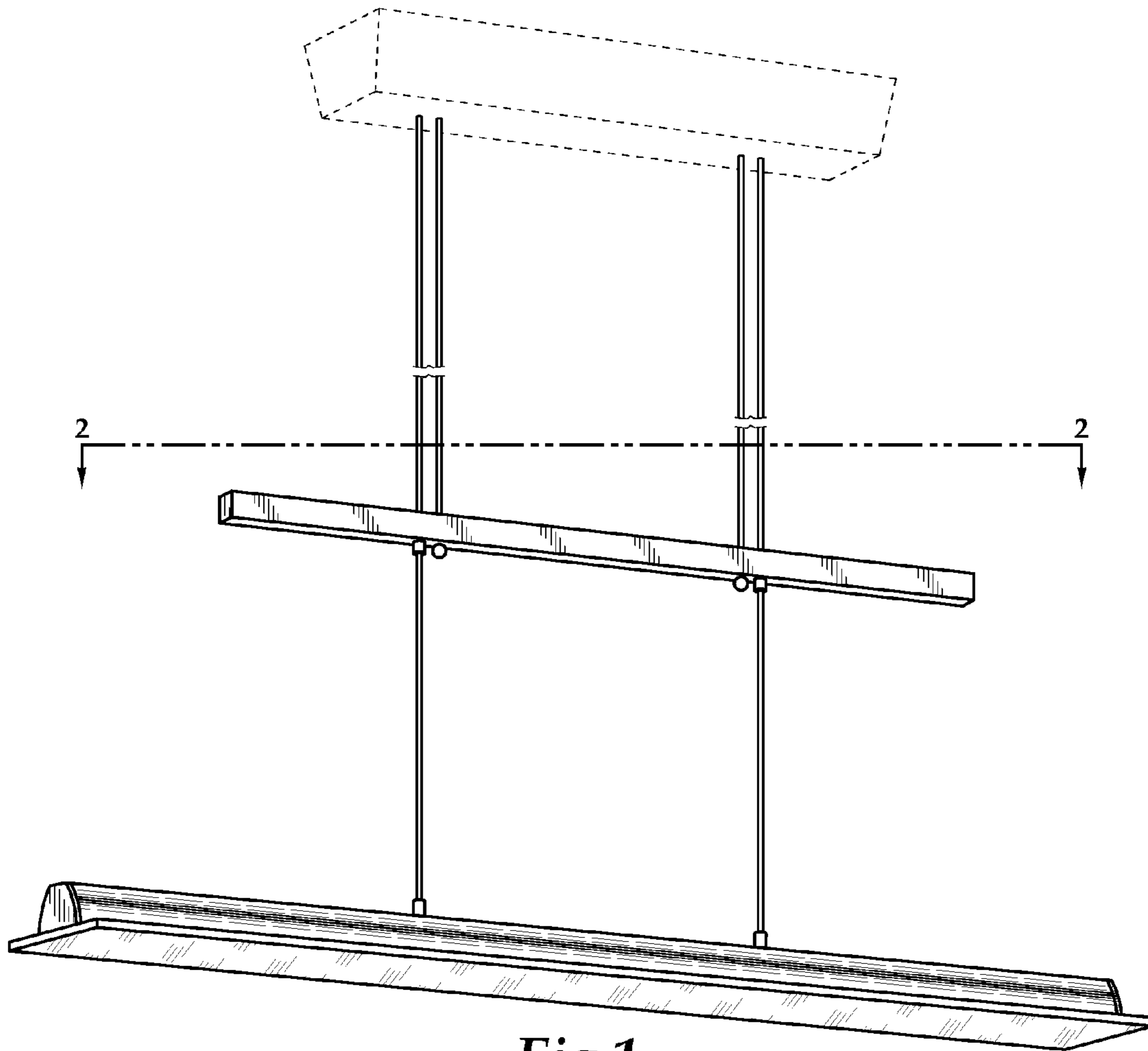


Fig.1

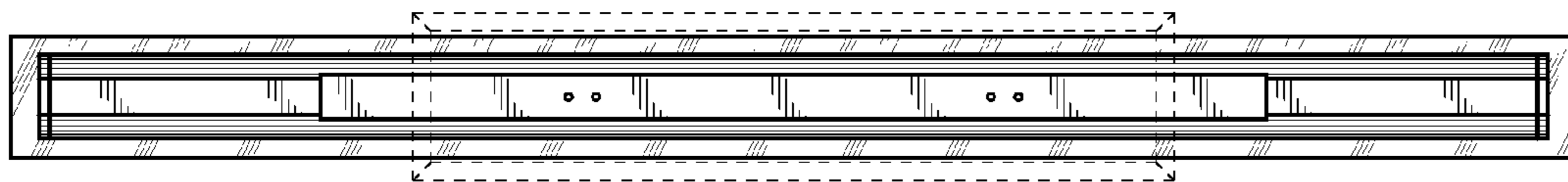


Fig.2

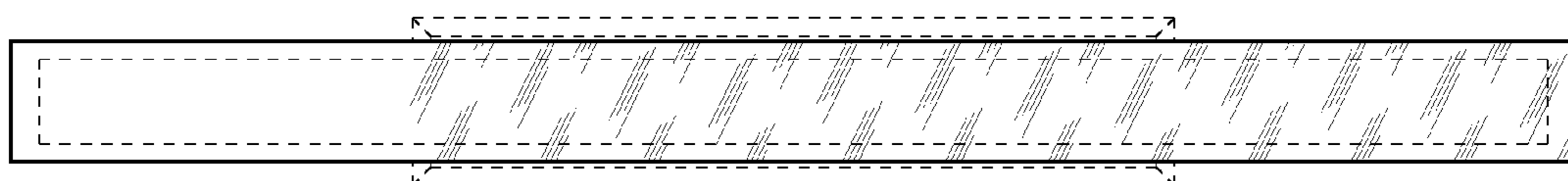


Fig.3

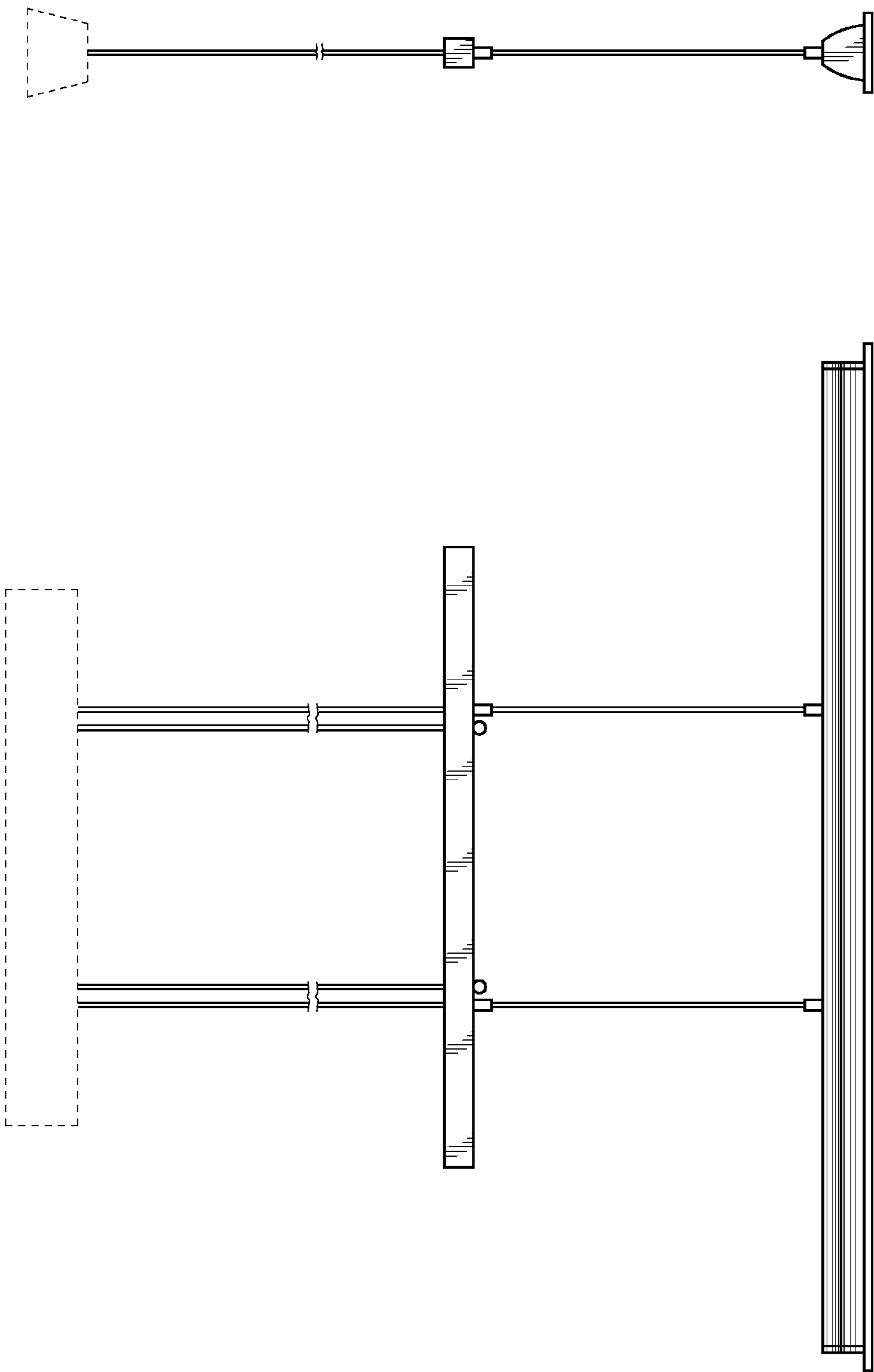


Fig.5

Fig.4