



US00D649279S

(12) **United States Design Patent**
Sabernig

(10) **Patent No.:** **US D649,279 S**

(45) **Date of Patent:** **** Nov. 22, 2011**

(54) **LIGHT FIXTURE**

(75) Inventor: **Robert Sabernig**, Munster (AT)

(73) Assignee: **EGLO Leuchten GmbH**, Innsbruck (AT)

(**) Term: **14 Years**

(21) Appl. No.: **29/389,054**

(22) Filed: **Apr. 6, 2011**

(51) **LOC (9) Cl.** **26-03**

(52) **U.S. Cl.** **D26/90; D26/76**

(58) **Field of Classification Search** D26/75,
D26/76, 80-91; 362/147, 404-408, 217.01
See application file for complete search history.

(56) **References Cited**

U.S. PATENT DOCUMENTS

D314,059 S *	1/1991	O'Neil	D26/73
D320,465 S *	10/1991	Sonneman	D26/86
D468,474 S *	1/2003	Poulton	D26/90
D558,380 S *	12/2007	Starck	D26/76
D567,968 S *	4/2008	Liu et al.	D26/24
D629,554 S *	12/2010	Gielen	D26/76
D638,569 S *	5/2011	Heyrman	D26/90

OTHER PUBLICATIONS

Light Fixture second from top on right side of page. webpage from modernlightinguniverse.com as visited Jun. 16, 2009.*
Contempra fixture #E22124-110 shown on p. 179 of the ET2 2007 Catalog. (2 pages).*

Martellato fixture #19515 shown on p. 7 of the Illuminations Supplement 2010 from Eurofase Inc. © 2010. (2 pages).*

* cited by examiner

Primary Examiner — Clare E Heflin

(74) *Attorney, Agent, or Firm* — Baker & McKenzie LLP

(57) **CLAIM**

The ornamental design for a light fixture, as shown and described.

DESCRIPTION

FIG. 1 is a perspective view of a light fixture in accordance with my design;

FIG. 2 is a sectional view of a light fixture in accordance with my design, taken along the line 2-2 in FIG. 1;

FIG. 3 is a bottom plan view of the light fixture in accordance with my design;

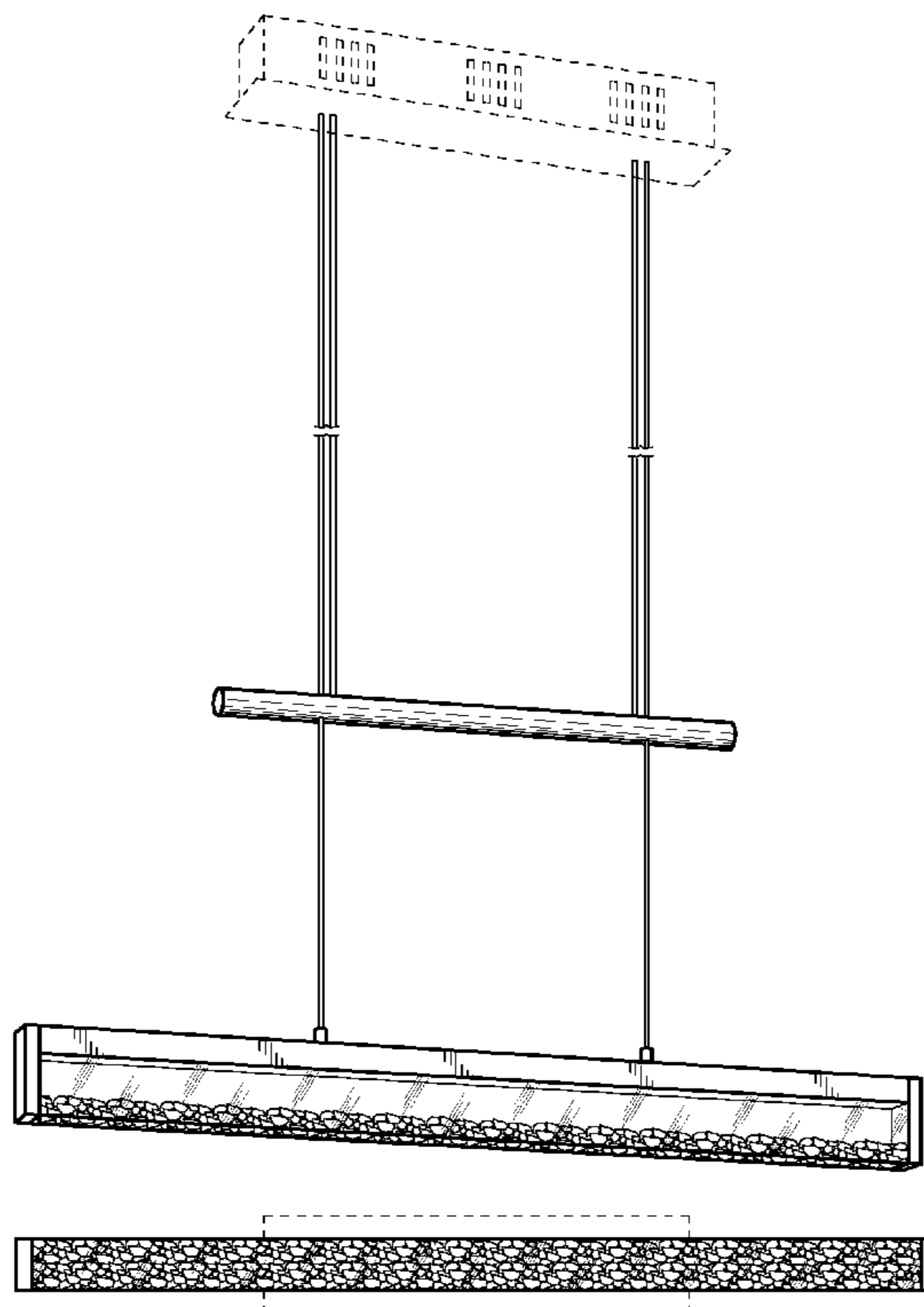
FIG. 4 is a front elevation view of the light fixture in accordance with my design, the opposite view being a mirror image of that shown; and,

FIG. 5 is a side elevation view of the light fixture in accordance with my design, the opposite view being a mirror image of that shown.

The portions of the light fixture shown broken away in FIGS. 1-5 are to depict nonspecific length.

The broken-line disclosure of elements is understood to represent portions of the article in which the design is embodied, but which form no part of the claimed design.

1 Claim, 3 Drawing Sheets



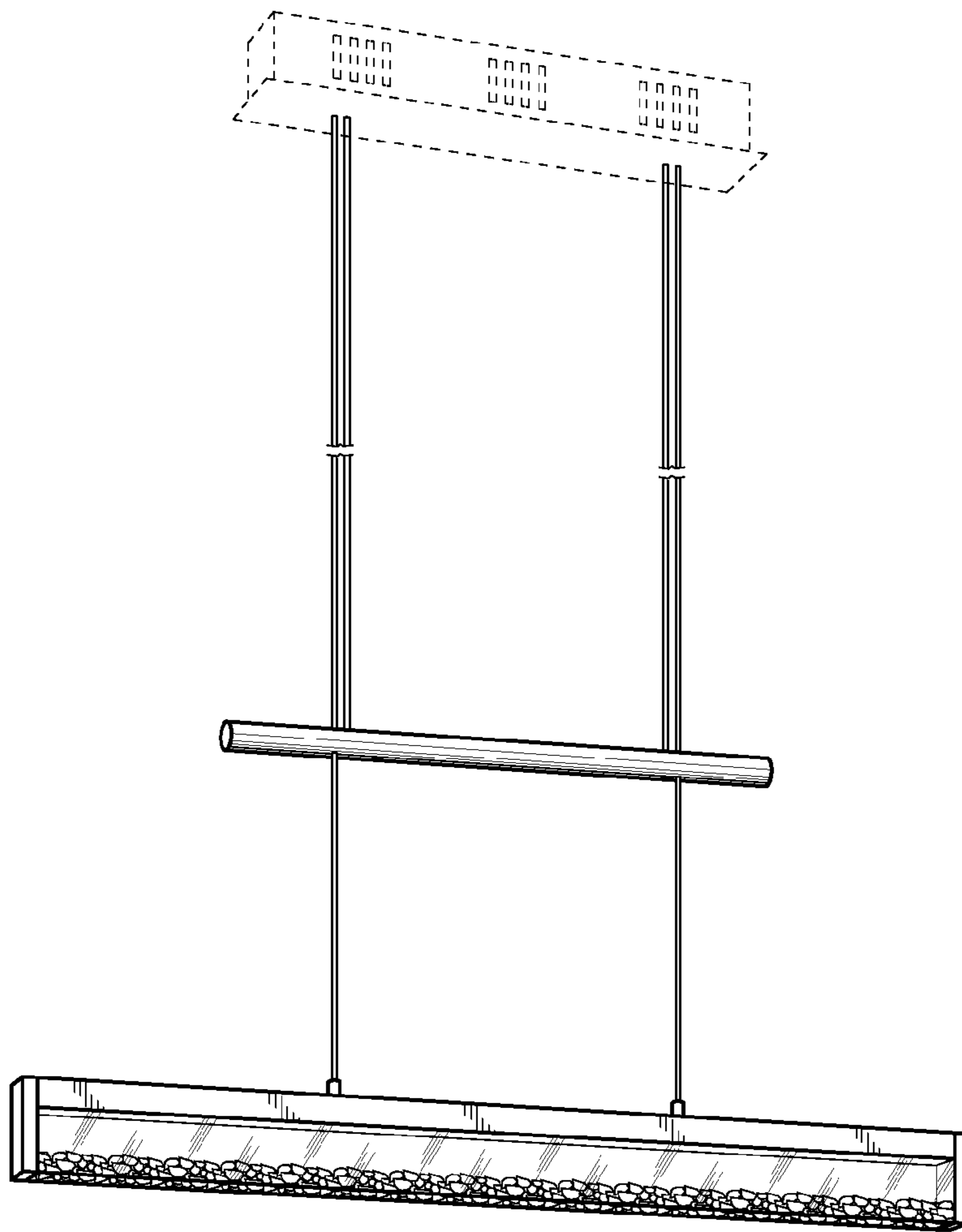


Fig.1

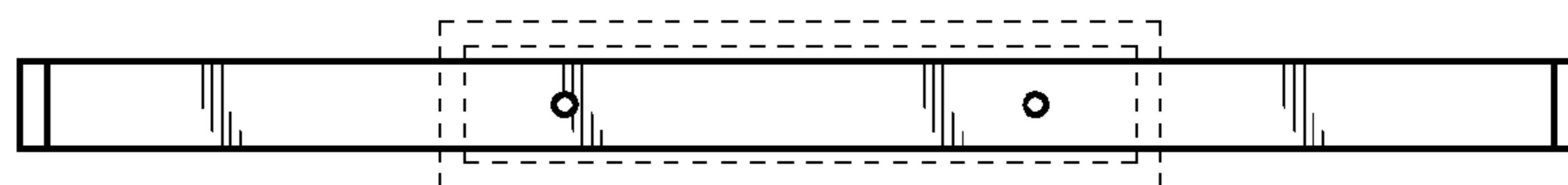


Fig.2

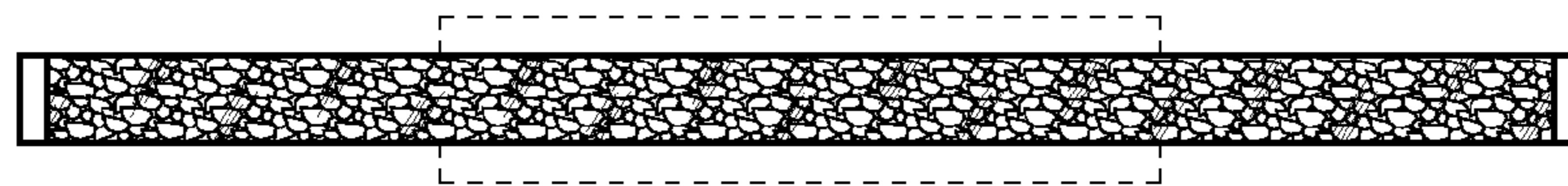


Fig.3

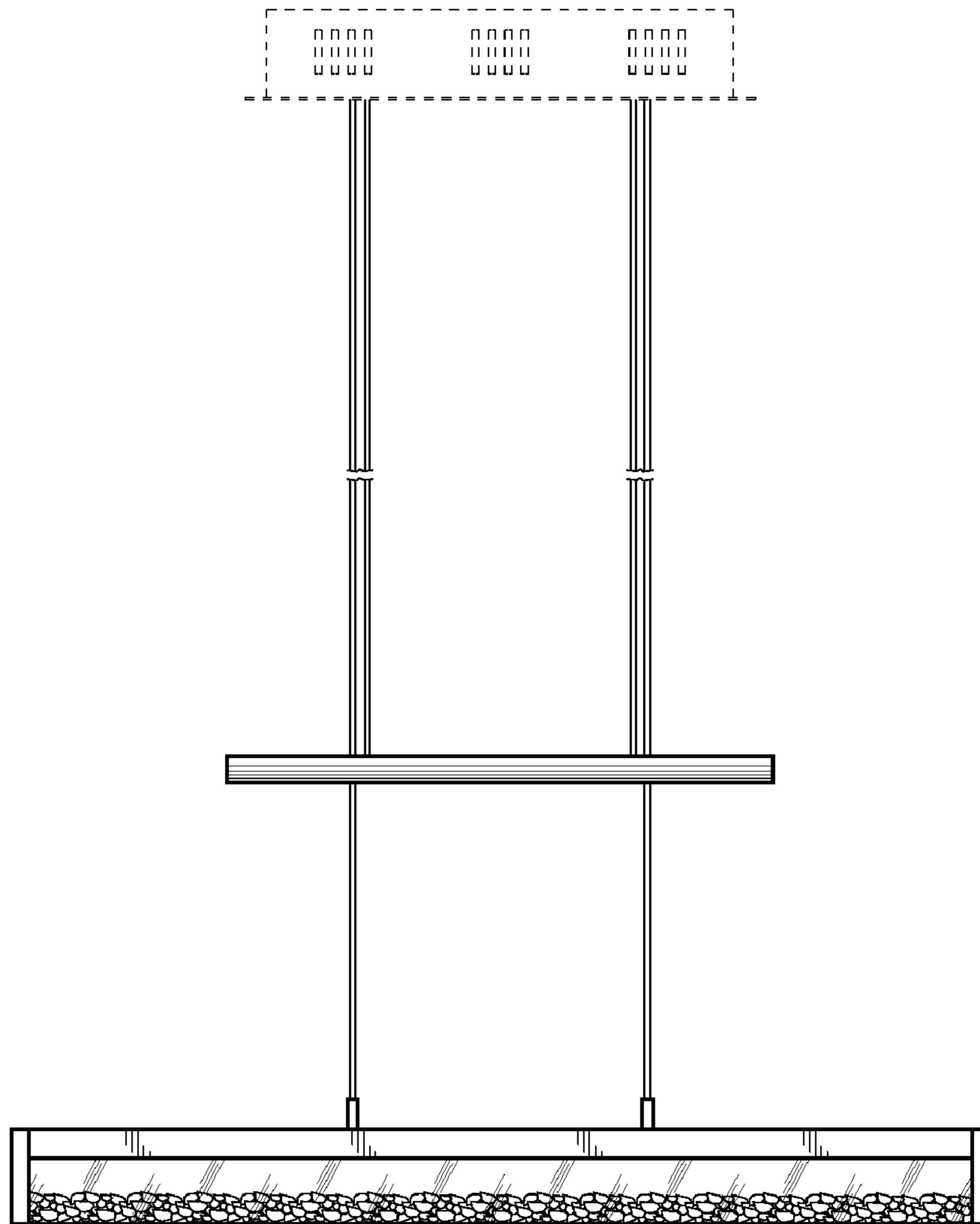


Fig.4

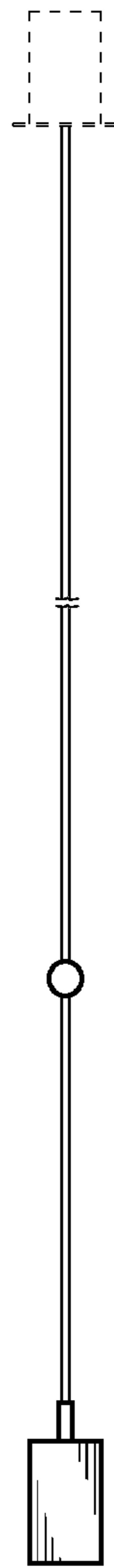


Fig.5

UNITED STATES PATENT AND TRADEMARK OFFICE
CERTIFICATE OF CORRECTION

PATENT NO. : D649,279 S
APPLICATION NO. : 29/389054
DATED : November 22, 2011
INVENTOR(S) : Sabernig

Page 1 of 1

It is certified that error appears in the above-identified patent and that said Letters Patent is hereby corrected as shown below:

On the Cover Page, Item 57 should read:

CLAIM

The ornamental design for a light fixture, as shown and described.

DESCRIPTION

FIG. 1 is a perspective view of a LIGHT FIXTURE in accordance with my design;

FIG. 2 is a top plan view of the LIGHT FIXTURE in accordance with my design;

FIG. 3 is a bottom plan view of the LIGHT FIXTURE in accordance with my design;

FIG. 4 is a front elevation view of the LIGHT FIXTURE in accordance with my design, the opposite view being a mirror image of that shown; and

FIG. 5 is a side elevation view of the LIGHT FIXTURE in accordance with my design, the opposite view being a mirror image of that shown.

The portions of the LIGHT FIXTURE shown broken away in FIGS. 1-5 are to depict nonspecific length.

The broken-line disclosure of elements is understood to represent portions of the article in which the design is embodied, but which form no part of the claimed design.

Signed and Sealed this
Seventeenth Day of April, 2012



David J. Kappos
Director of the United States Patent and Trademark Office