



US00D649276S

(12) **United States Design Patent**
Sabernig

(10) **Patent No.:** **US D649,276 S**

(45) **Date of Patent:** **** Nov. 22, 2011**

(54) **LIGHT FIXTURE**

(75) Inventor: **Robert Sabernig**, Munster (AT)

(73) Assignee: **EGLO Leuchten GmbH**, Innsbruck (AT)

(**) Term: **14 Years**

(21) Appl. No.: **29/391,917**

(22) Filed: **May 13, 2011**

(51) **LOC (9) Cl.** **26-03**

(52) **U.S. Cl.** **D26/84; D26/90**

(58) **Field of Classification Search** D26/75,
D26/76, 80-91; 362/147, 404-408, 217.01

See application file for complete search history.

(56) **References Cited**

U.S. PATENT DOCUMENTS

1,787,357	A	*	12/1930	Capocci	362/255
D203,405	S	*	1/1966	Crawford	D26/90
D212,722	S	*	11/1968	Kahn	D10/114.1
D314,059	S	*	1/1991	O'Neil	D26/73
D319,110	S	*	8/1991	Tatosian	D26/85
D320,465	S	*	10/1991	Sonneman	D26/86
D595,890	S	*	7/2009	Sabernig	D26/88
D599,948	S	*	9/2009	Armbruster	D26/91
D600,394	S	*	9/2009	Armbruster	D26/91
D620,177	S	*	7/2010	Sabernig	D26/84
D620,178	S	*	7/2010	Sabernig	D26/84
D630,365	S	*	1/2011	Sabernig	D26/84
D638,569	S	*	5/2011	Heyrman	D26/90

OTHER PUBLICATIONS

Contempra light fixture #E22124-10 shown on p. 179 of the 2007 ET2 Lighting Catalog.*

Contempra light fixture #E22127-10 shown on p. 180 of the 2007 ET2 Lighting Catalog.*

Rear Cover of ET2 Lighting 2007 Catalog.*

* cited by examiner

Primary Examiner — Clare E Heflin

(74) *Attorney, Agent, or Firm* — Baker & McKenzie LLP

(57) **CLAIM**

The ornamental design for a light fixture, as shown and described.

DESCRIPTION

FIG. 1 is a perspective view of a light fixture in accordance with my design;

FIG. 2 is a top plan view of the light fixture in accordance with my design;

FIG. 3 is a bottom plan view of the light fixture in accordance with my design;

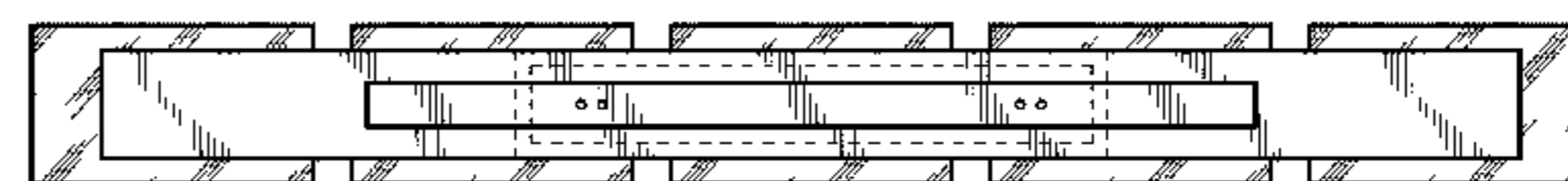
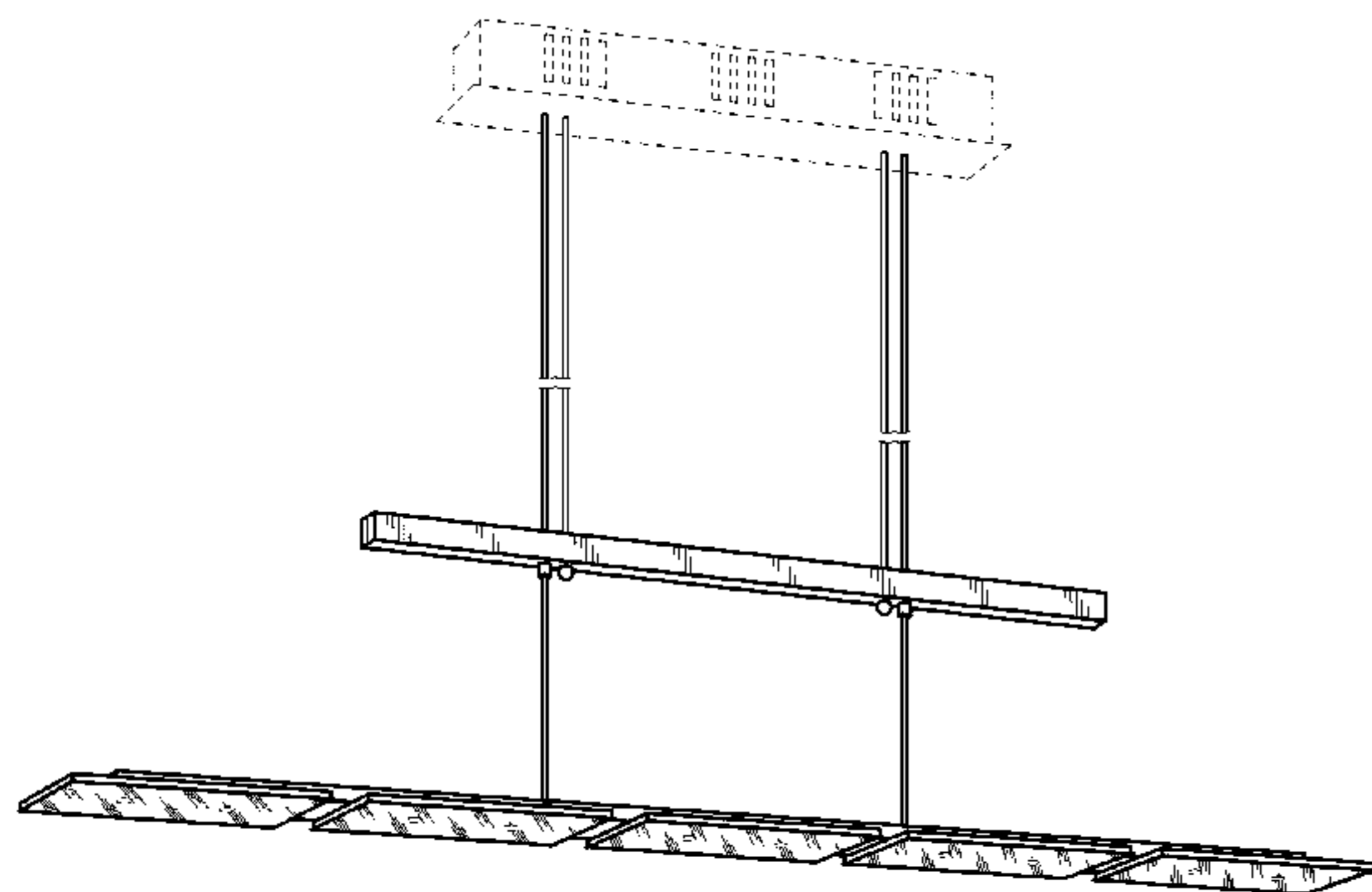
FIG. 4 is a front elevation view of the light fixture in accordance with my design, the opposite view being a mirror image of that shown; and,

FIG. 5 is a side elevation view of the light fixture in accordance with my design, the opposite view being a mirror image of that shown.

The portions of the light fixture shown broken away in FIGS. 1, 4 and 5 are to depict nonspecific length.

The broken-line disclosure of elements is understood to represent portions of the article in which the design is embodied, but which form no part of the claimed design.

1 Claim, 2 Drawing Sheets



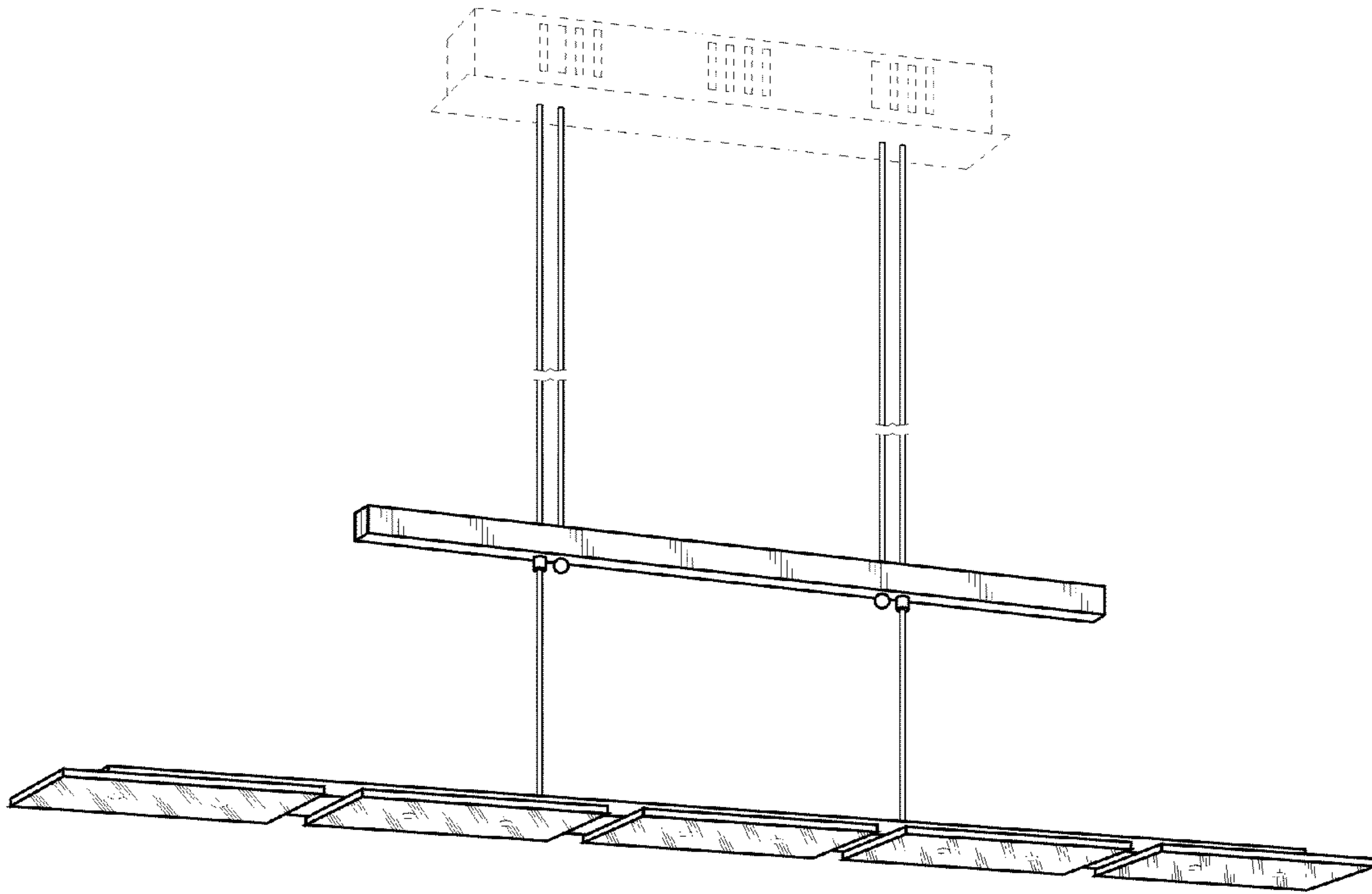


Fig.1

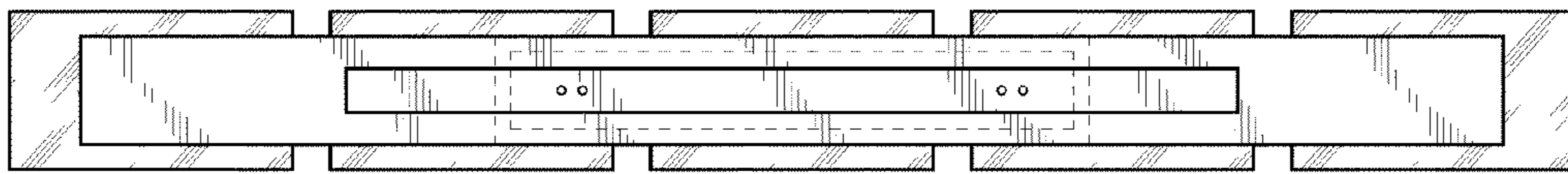


Fig.2

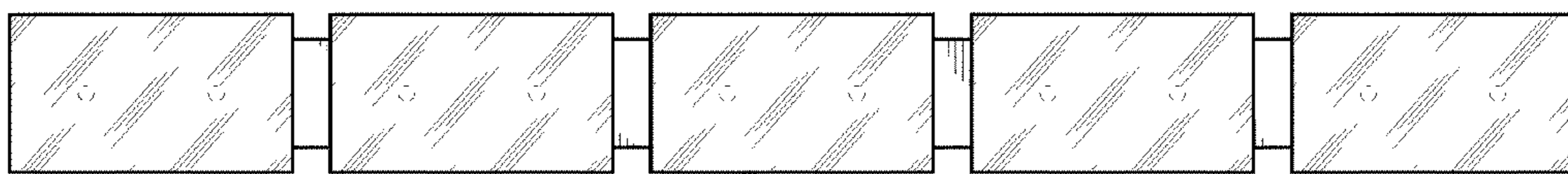


Fig.3

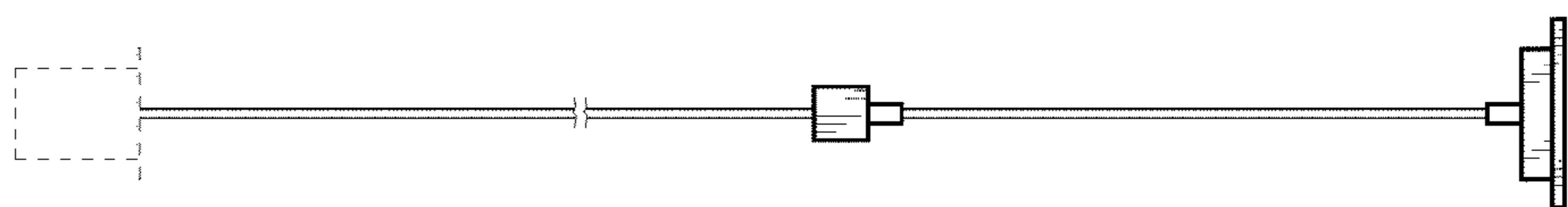


Fig. 5

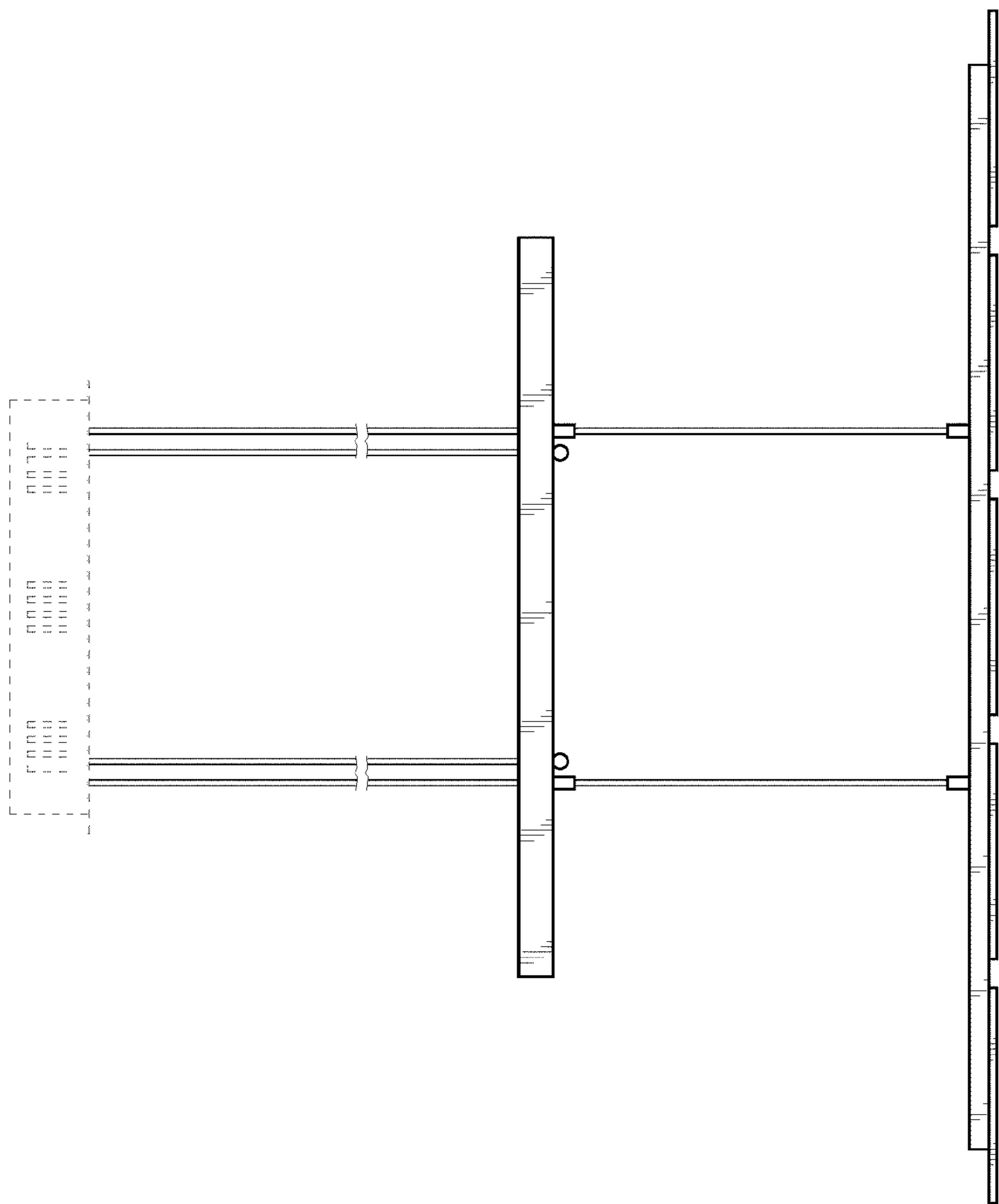


Fig. 4