



US00D649275S

(12) **United States Design Patent**
Crawford et al.

(10) **Patent No.:** **US D649,275 S**

(45) **Date of Patent:** **** Nov. 22, 2011**

(54) **LIGHTING DEVICE**

(75) Inventors: **John D. Crawford**, Avon, OH (US);
Michael S. Squires, Ryde (AU); **Angelo Kotsis**, Marrickville (AU); **Thomas D. Boris**, Collegeville, PA (US)

(73) Assignees: **Eveready Battery Company, Inc.**, St. Louis, MO (US); **Streamlight, Inc.**, Eagleville, PA (US)

(**) Term: **14 Years**

(21) Appl. No.: **29/307,224**

(22) Filed: **Apr. 7, 2008**

(51) **LOC (9) Cl.** **26-02**

(52) **U.S. Cl.** **D26/49**

(58) **Field of Classification Search** D26/37,
D26/38, 46, 49, 50, 48; 362/157, 158, 183,
362/194-199, 202-208; D19/35, 43, 44,
D19/45, 51

See application file for complete search history.

(56) **References Cited**

U.S. PATENT DOCUMENTS

D229,854 S * 1/1974 Bajusz D26/49
D465,865 S * 11/2002 Hamilton et al. D26/37

D486,930 S * 2/2004 Stoddard et al. D26/37
D497,214 S * 10/2004 Lo D26/37
D499,499 S * 12/2004 Cetera D26/37
D518,906 S * 4/2006 Stoddard et al. D26/37
D521,164 S * 5/2006 Sharrah D26/37
D578,236 S * 10/2008 Dalton D26/49
D590,881 S * 4/2009 Slemp D19/51
D603,541 S * 11/2009 Shiu D26/49

* cited by examiner

Primary Examiner — Ian Simmons

Assistant Examiner — Carissa C Fitts

(74) *Attorney, Agent, or Firm* — Michael C. Pophal

(57) **CLAIM**

We claim the ornamental design for a lighting device, as shown and described.

DESCRIPTION

FIG. 1 is a perspective view of the design.

FIG. 2 is a right side view of the design.

FIG. 3 is a top view of the design.

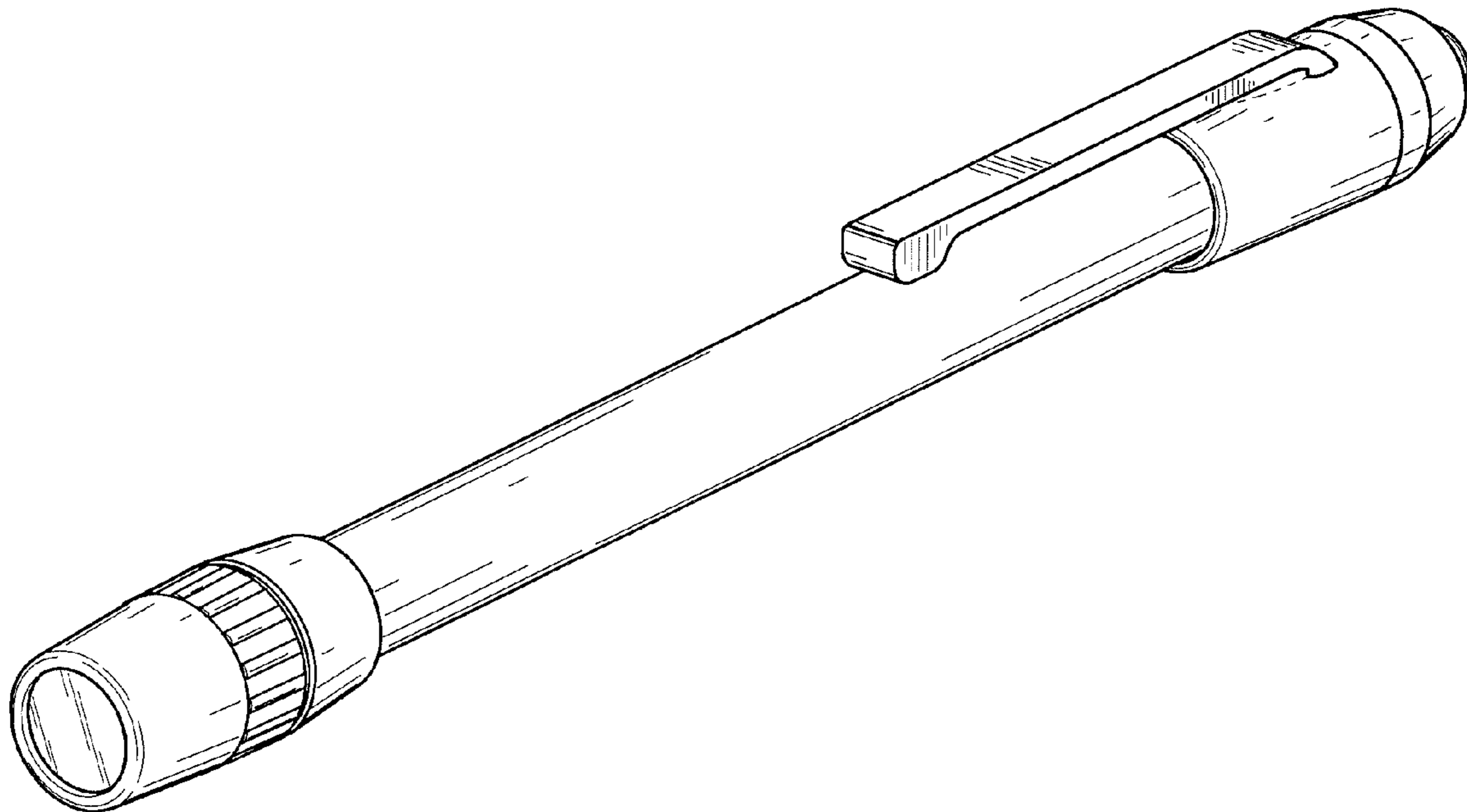
FIG. 4 is a bottom view of the design.

FIG. 5 is a front view of the design; and,

FIG. 6 is a rear view of the design.

Any broken line(s) shown are for illustrative purposes only and form no part of the claimed design.

1 Claim, 2 Drawing Sheets



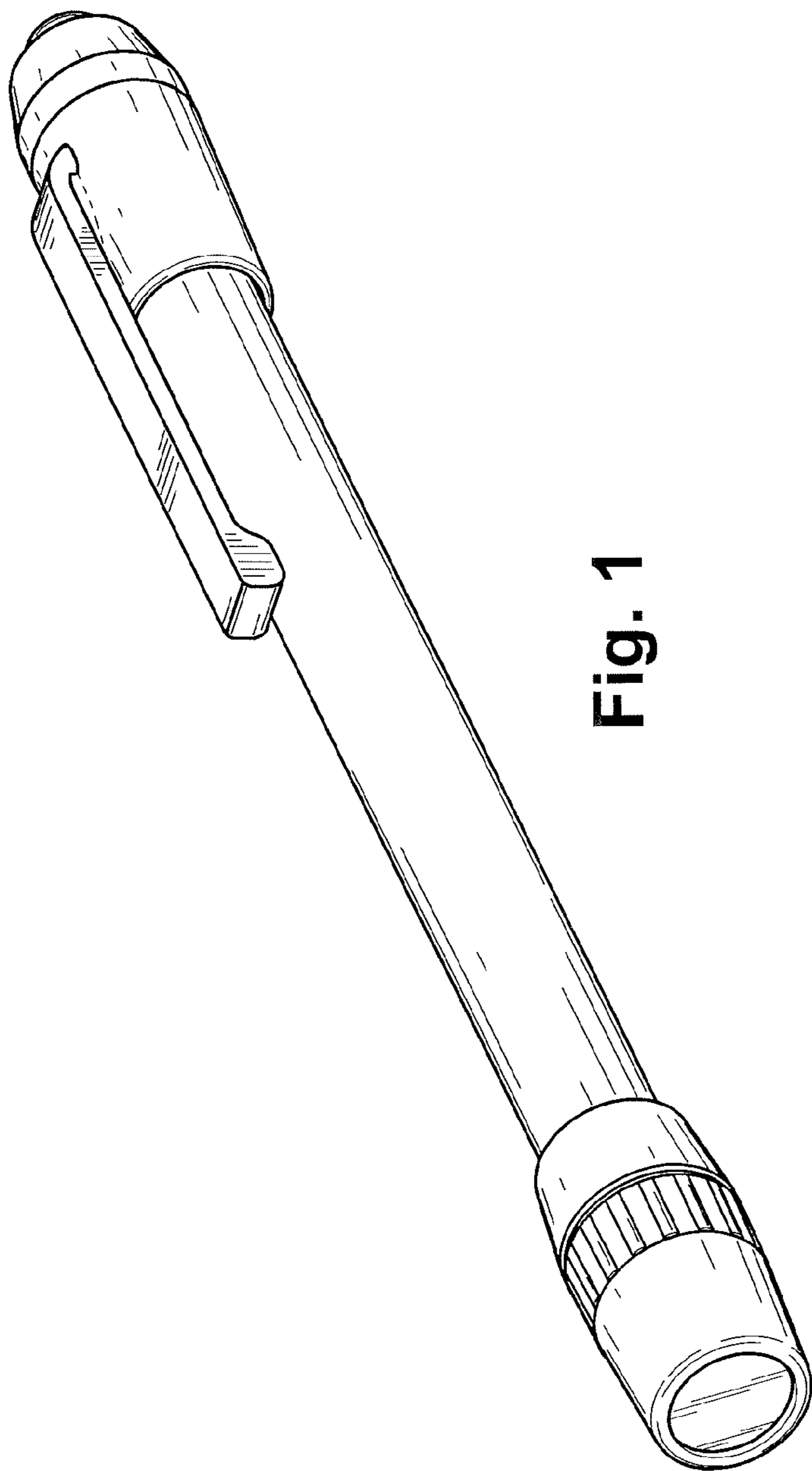


Fig. 1

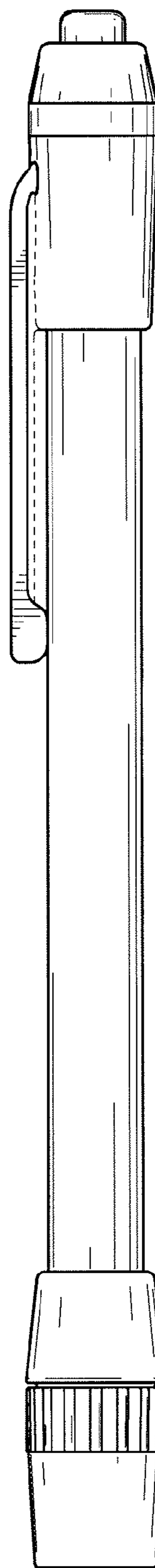


Fig. 2

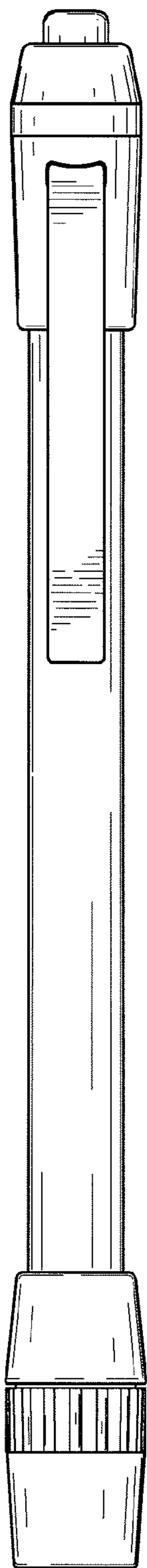


Fig. 3

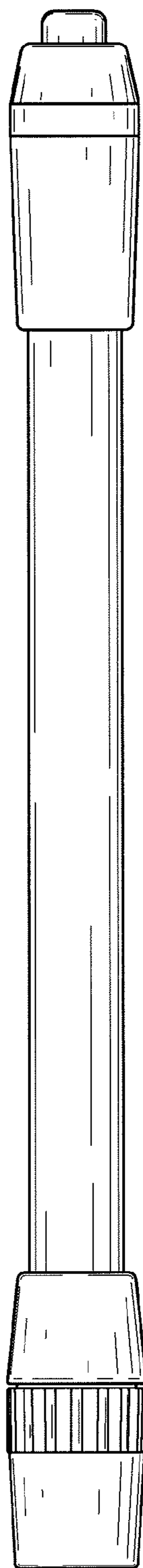


Fig. 4

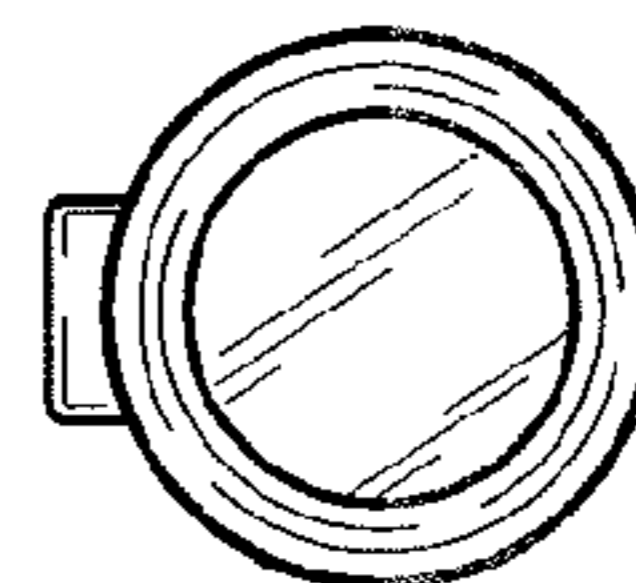


Fig. 5

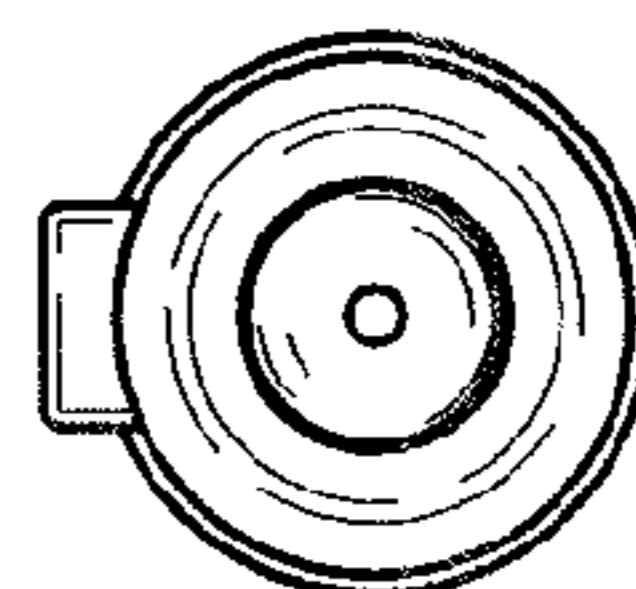


Fig. 6