



US00D649274S

(12) **United States Design Patent**
Bertken

(10) **Patent No.:** **US D649,274 S**

(45) **Date of Patent:** **** Nov. 22, 2011**

(54) **COMBINATION LANTERN AND SPOTLIGHT**

(75) Inventor: **Dennis Bertken**, Solana Beach, CA
(US)

(73) Assignee: **Life+Gear, Inc.**, Del Mar, CA (US)

(**) Term: **14 Years**

(21) Appl. No.: **29/378,612**

(22) Filed: **Nov. 5, 2010**

(51) **LOC (9) Cl.** **26-02**

(52) **U.S. Cl.** **D26/48; D26/41**

(58) **Field of Classification Search** D26/37-42,
D26/45-46, 48, 50; 362/157, 158, 184-191,
362/194-199, 202-208

See application file for complete search history.

(56) **References Cited**

U.S. PATENT DOCUMENTS

D403,454 S *	12/1998	Zelina et al.	D26/48
D485,628 S *	1/2004	Yuen	D26/37
D514,722 S *	2/2006	Shen	D26/46
D533,289 S *	12/2006	Yuen	D26/46
D538,958 S *	3/2007	Yuen	D26/46
D542,954 S *	5/2007	Yuen	D26/46
D544,122 S *	6/2007	Yuen	D26/46

D545,470 S *	6/2007	Devany et al.	D26/46
D611,631 S *	3/2010	Hsu	D26/45
D616,580 S *	5/2010	Bertken	D26/48
D616,581 S *	5/2010	Bertken	D26/48

* cited by examiner

Primary Examiner — Ian Simmons

Assistant Examiner — Carissa C Fitts

(74) *Attorney, Agent, or Firm* — Marger Johnson & McCollom, P.C.

(57) **CLAIM**

The ornamental design for a combination lantern and spotlight, as shown and described.

DESCRIPTION

FIG. 1 is a perspective view of the combination lantern and spotlight according to the present design;

FIG. 2 is a left side elevation view of the design of FIG. 1, the right side being a mirror image thereof;

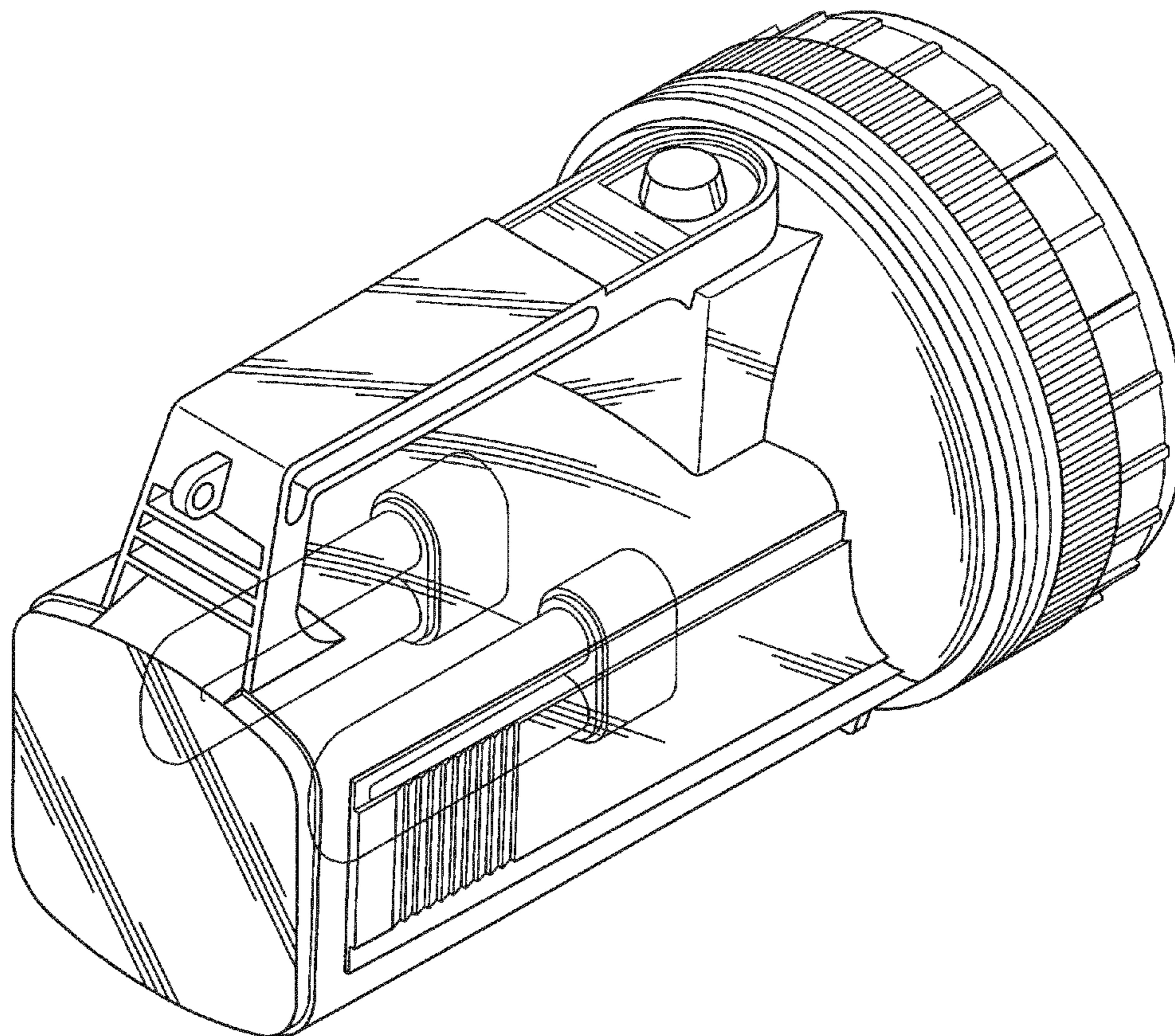
FIG. 3 is a top plan view of the design of FIG. 1;

FIG. 4 is a bottom plan view of the design of FIG. 1;

FIG. 5 is a front elevation view of the design of FIG. 1; and,

FIG. 6 is a rear elevation view of the design of FIG. 1.

1 Claim, 4 Drawing Sheets



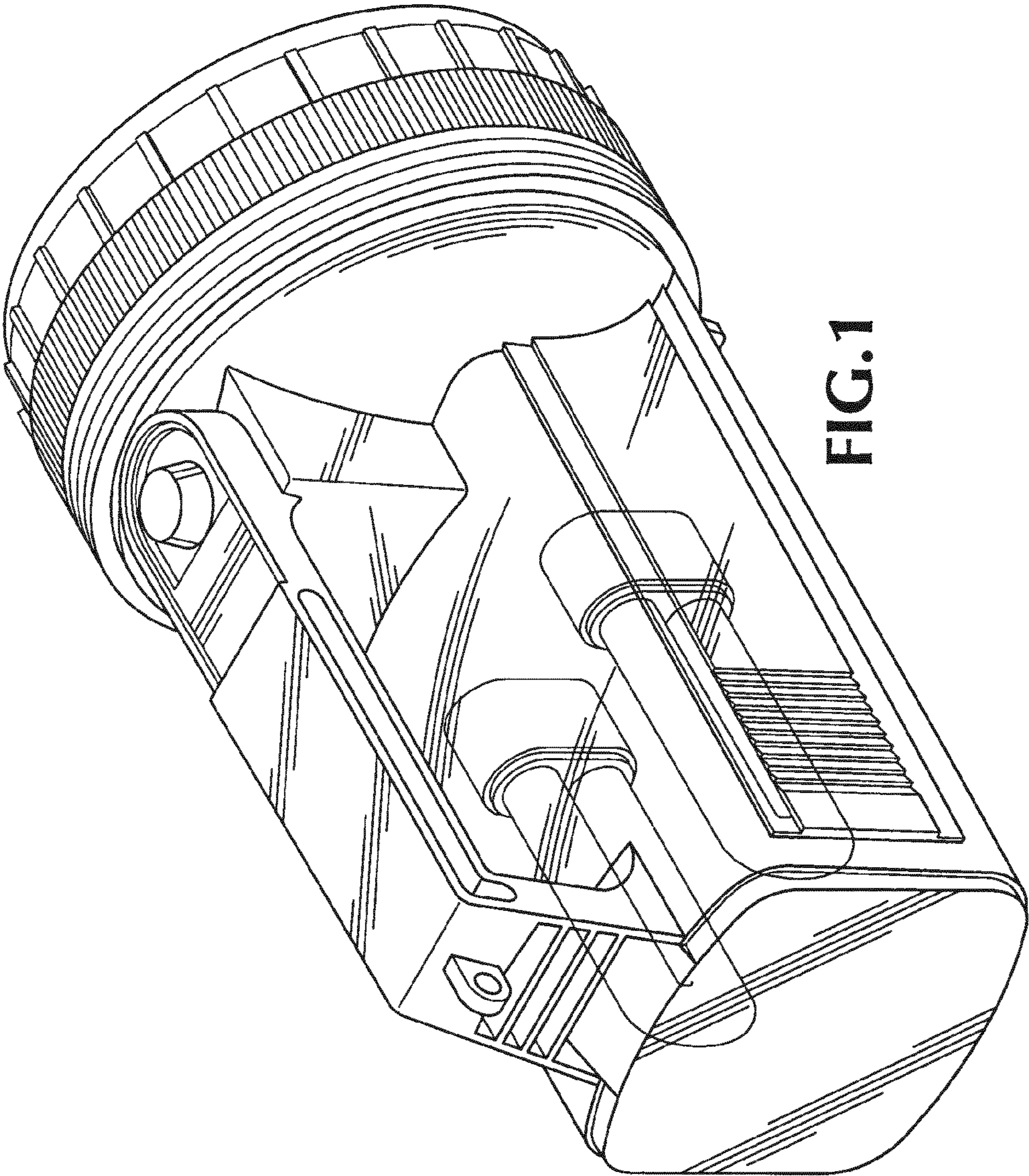


FIG. 1

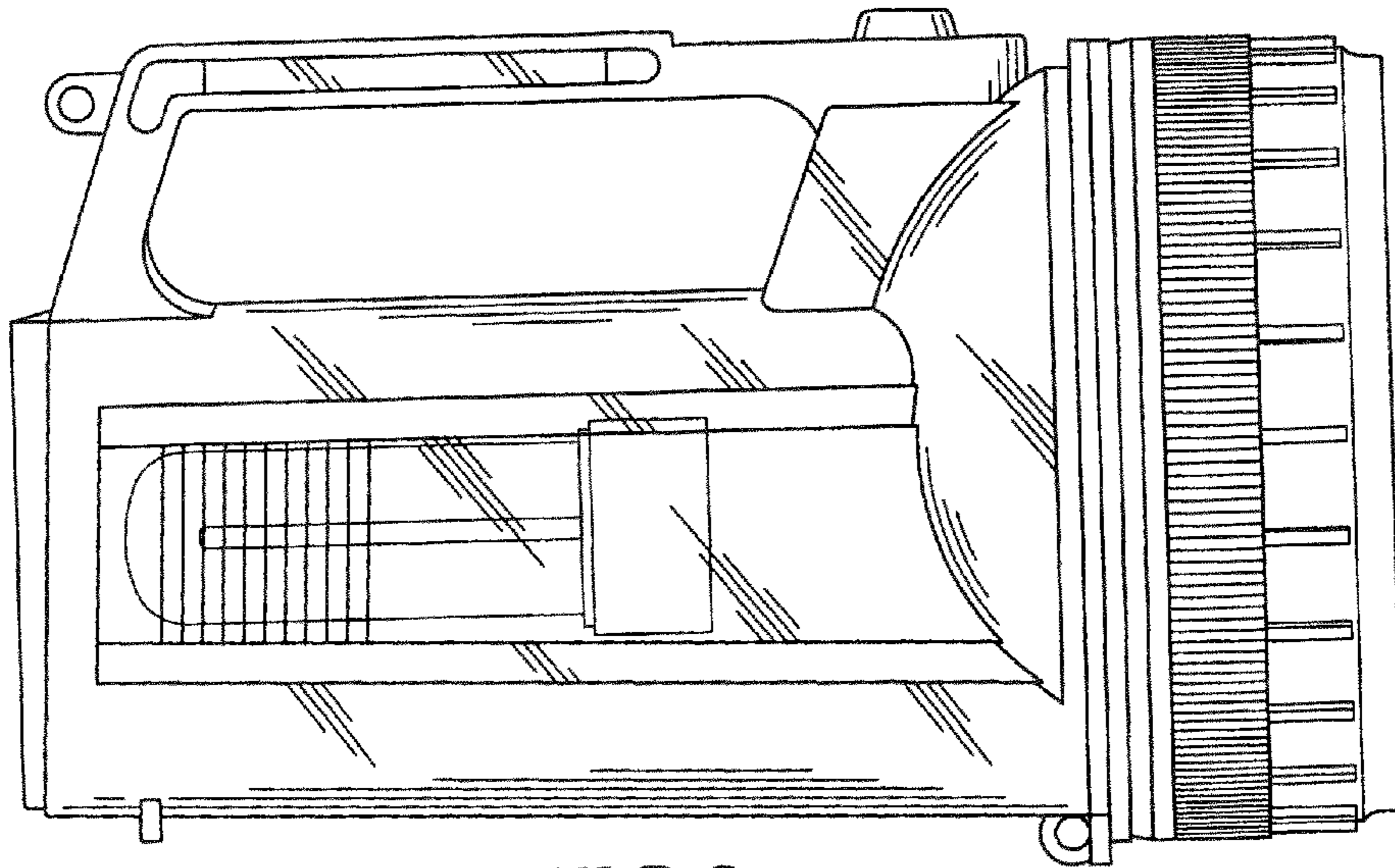


FIG. 2

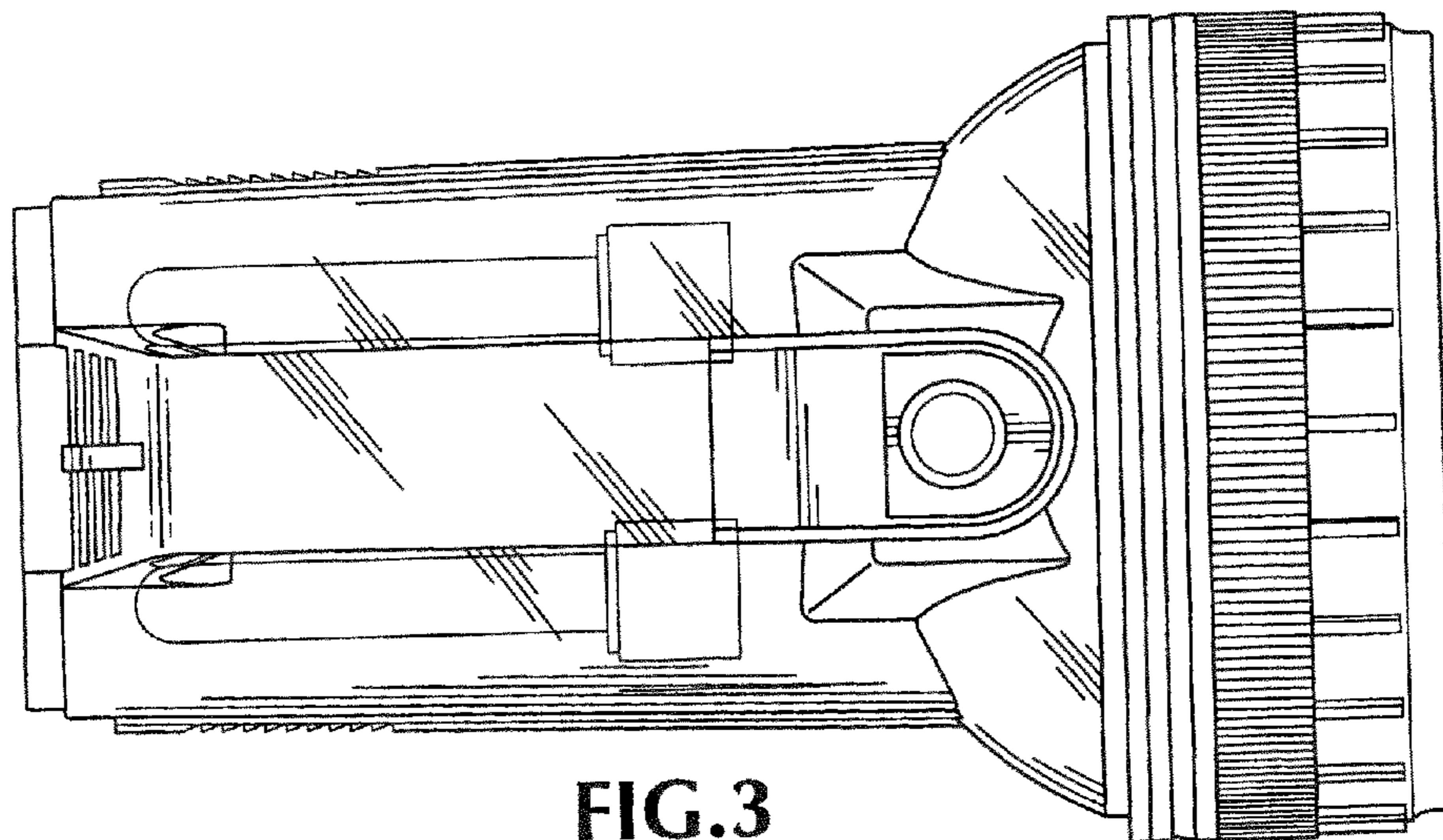


FIG. 3

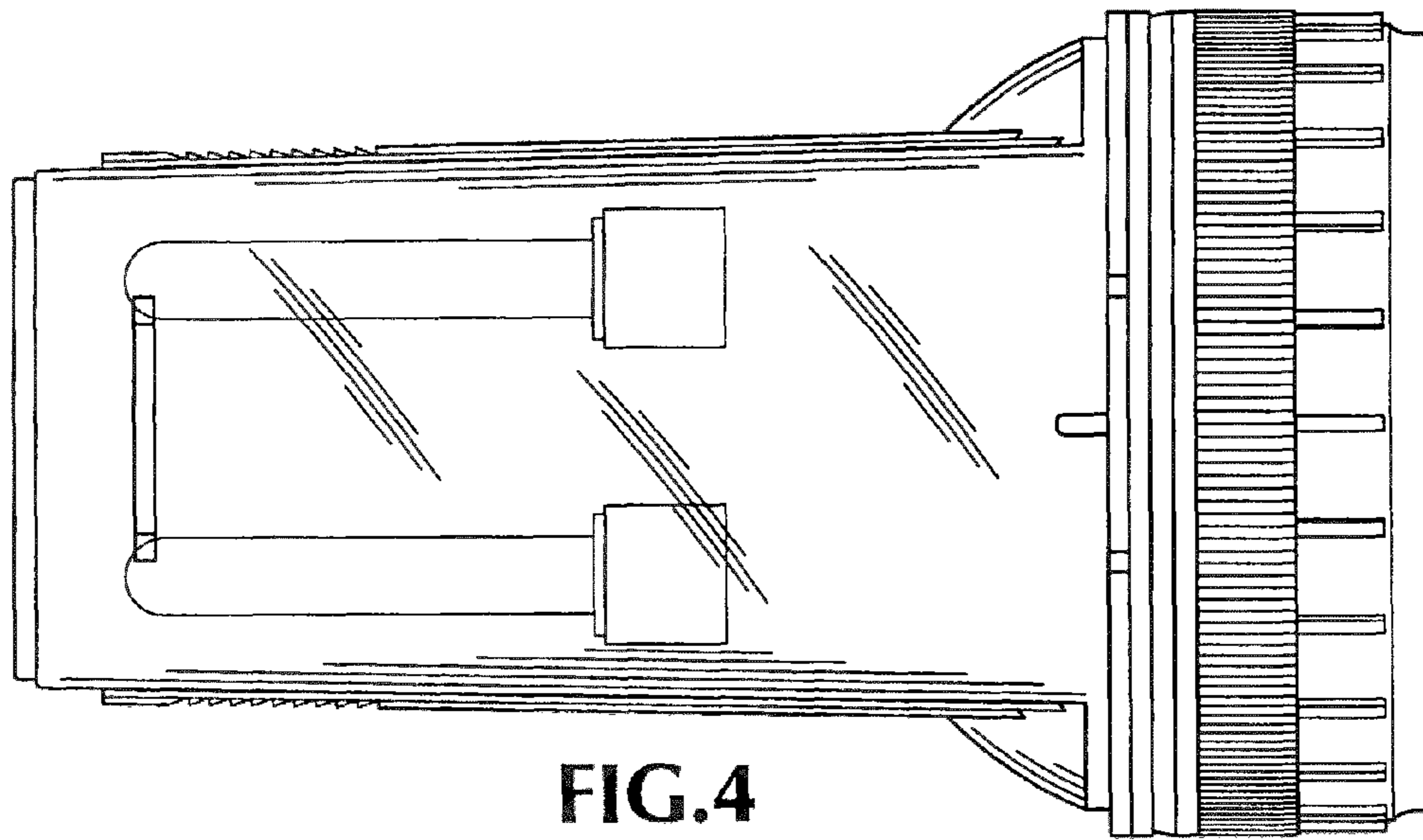


FIG. 4

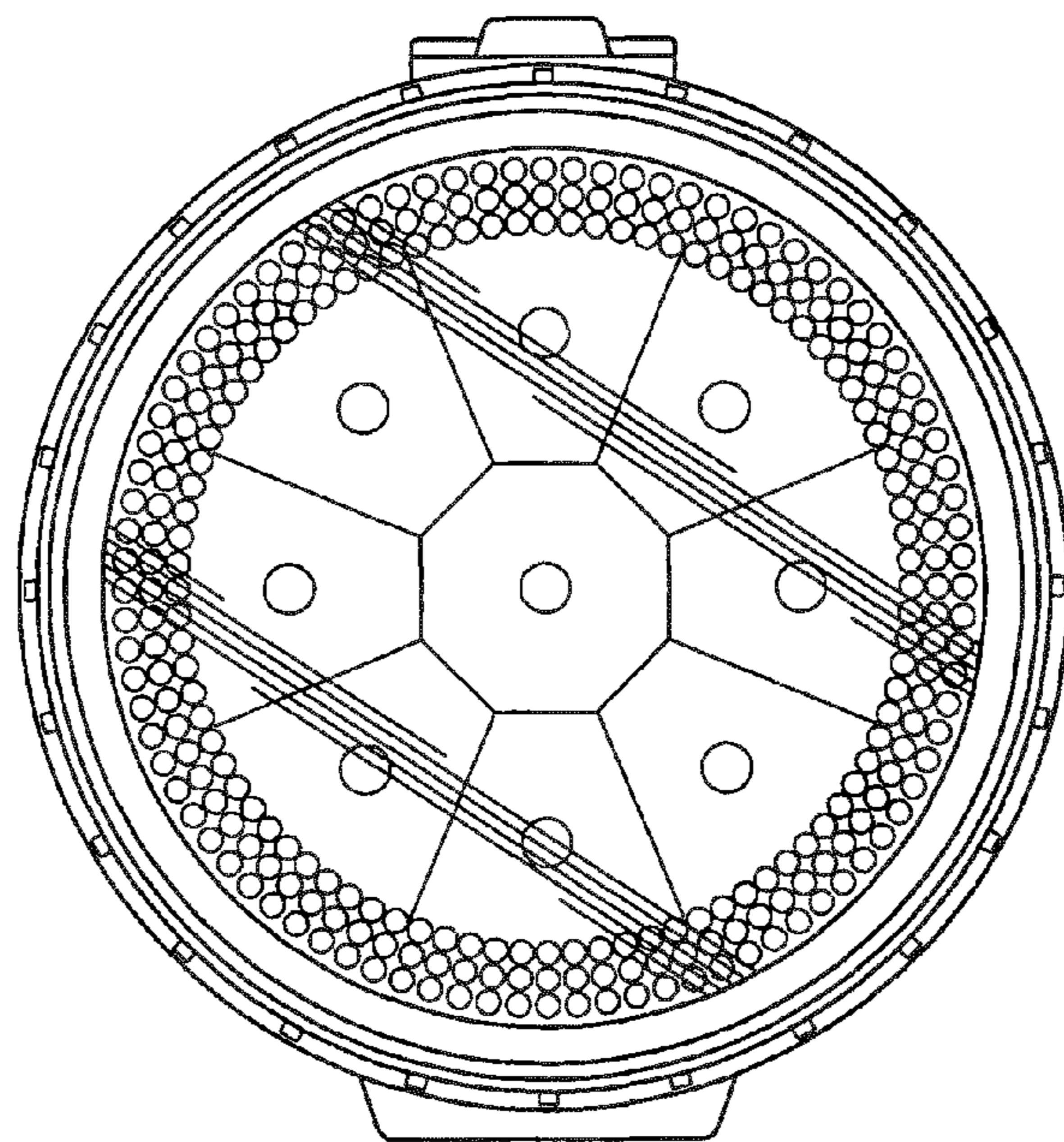


FIG. 5

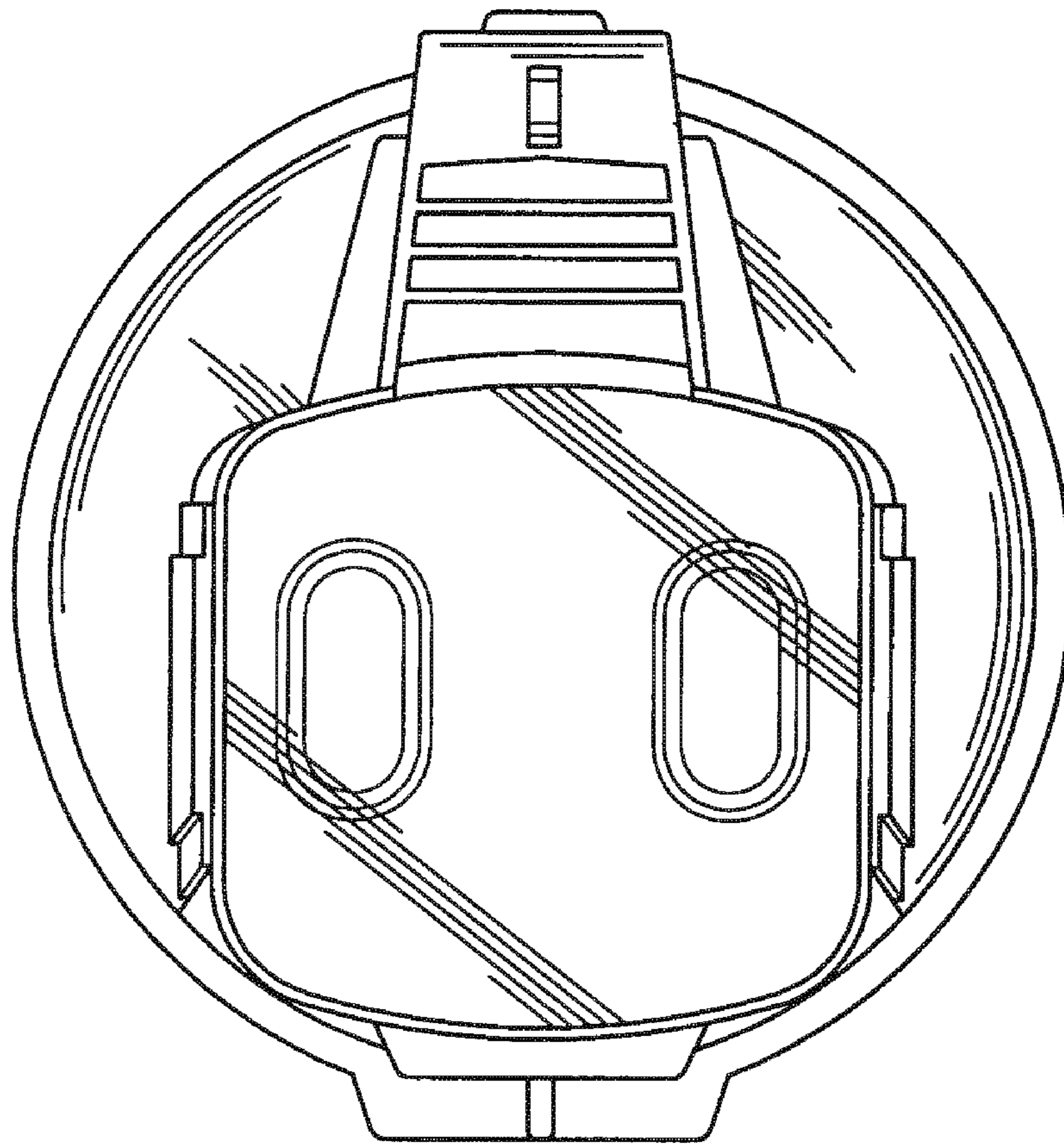


FIG.6