

US00D649273S

(12) **United States Design Patent**
Baker et al.

(10) **Patent No.:** **US D649,273 S**
(45) **Date of Patent:** **** Nov. 22, 2011**

(54) **FLASHLIGHT**

(75) Inventors: **Kathleen Baker**, New Fairfield, CT (US); **Stuart A. Karten**, Venice, CA (US); **Eric Olson**, Los Angeles, CA (US); **Eric Gregory Schmid**, Culver City, CA (US); **Paul Trotman Kirley**, Los Angeles, CA (US); **Jonathan Abarbanel**, Los Angeles, CA (US)

(73) Assignee: **The Gillette Company**, Boston, MA (US)

(**) Term: **14 Years**

(21) Appl. No.: **29/314,643**

(22) Filed: **Apr. 15, 2009**

(51) **LOC (9) Cl.** **26-02**

(52) **U.S. Cl.** **D26/45**

(58) **Field of Classification Search** D26/37,
D26/38, 40-50; 362/157, 158, 183-199,
362/202-208; D8/14.1, 29.1, 61, 68
See application file for complete search history.

(56) **References Cited**

U.S. PATENT DOCUMENTS

D175,318 S *	8/1955	Schmidt	D26/45
D221,504 S	8/1971	Wierzbiki		
D256,845 S *	9/1980	Zelina et al.	D26/45
4,233,655 A *	11/1980	Zelina et al.	362/258
D276,850 S *	12/1984	McCollum	D26/38
D353,216 S	12/1994	Sharrah et al.		
D356,875 S *	3/1995	Zelina, Jr.	D26/38
D363,361 S	10/1995	Maglica		
D367,721 S	3/1996	Maglica		
D429,013 S *	8/2000	Poon	D26/45
D434,513 S *	11/2000	Poon	D26/45
D446,591 S *	8/2001	Shing	D26/45
D451,222 S *	11/2001	Poon	D26/45
D462,133 S *	8/2002	Krieger et al.	D26/45
D466,637 S *	12/2002	Gisser	D26/45
D481,814 S *	11/2003	Krieger et al.	D26/45
D481,815 S *	11/2003	Krieger et al.	D26/45

D493,555 S	7/2004	Kung		
D500,155 S	12/2004	Kee		
D507,066 S	7/2005	Smith		
D508,578 S *	8/2005	Shen	D26/45

(Continued)

OTHER PUBLICATIONS

Hesse et al., U.S. Appl. No. 29/336,536, filed May 5, 2009, entitled "Portion of a Flashlight".

(Continued)

Primary Examiner — Ian Simmons

Assistant Examiner — Carissa C Fitts

(74) *Attorney, Agent, or Firm* — Fish & Richardson P.C.

(57) **CLAIM**

The ornamental design for a flashlight, as shown and described.

DESCRIPTION

FIG. 1 is a perspective view of the flashlight as seen from the front, left side;

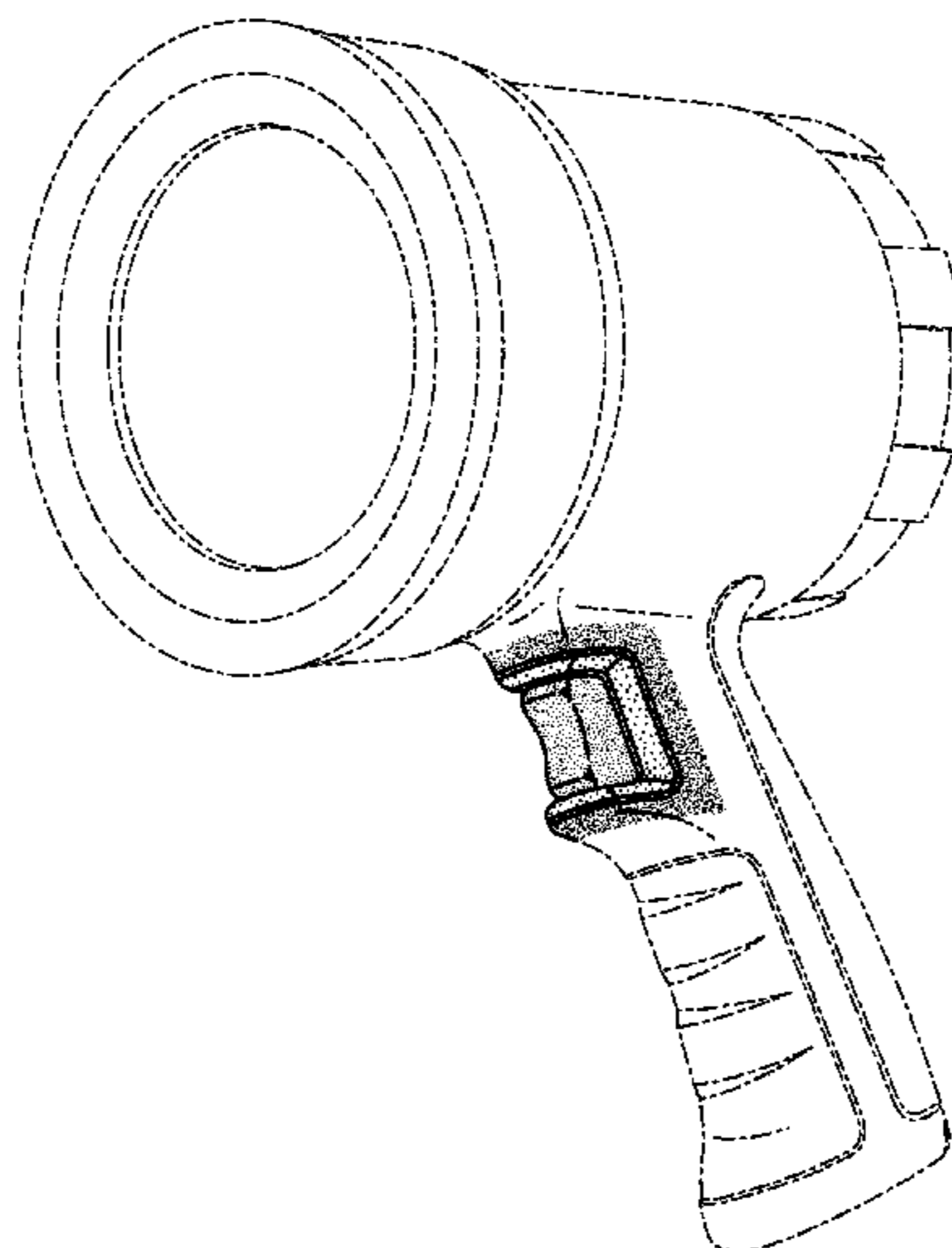
FIG. 2 is a front elevational view of the flashlight of FIG. 1; FIG. 3 is a left side elevational view of the flashlight of FIG. 1, the other side elevational view being a mirror image thereof; and,

FIG. 4 is a bottom plan view of the flashlight of FIG. 1.

Dense stippling, stippling of intermediate density, and sparse stippling are used in FIGS. 1-4. The dense stippling represents a surface having a color that contrasts with the color of the surface including the sparse stippling. The surface including the sparse stippling has a color that also contrasts with the surface that includes the stippling of intermediate density. The surface including the stippling of intermediate density can have the same color or a different color from the surface that includes the dense stippling.

The broken lines showing the remainder of the flashlight are for illustrative purposes only and form no part of the claimed design.

1 Claim, 4 Drawing Sheets



U.S. PATENT DOCUMENTS

D561,923 S * 2/2008 Hsu D26/45
D574,984 S 8/2008 Hesse et al.
D579,594 S 10/2008 Hesse et al.

OTHER PUBLICATIONS

Baker et al., U.S. Appl. No. 29/335,400, filed Apr. 15, 2009, entitled
"Portion of a Flashlight".
Baker et al., U.S. Appl. No. 29/335,396, filed Apr. 15, 2009, entitled
"Portion of a Flashlight".
Baker et al., U.S. Appl. No. 29/335,393, filed Apr. 15, 2009, entitled
"Portion of a Flashlight".
Hesse et al., U.S. Appl. No. 29/314,639, filed Apr. 15, 2009, entitled
"Portion of a Headlamp".

Hesse et al., U.S. Appl. No. 29/314,638, filed Apr. 15, 2009, entitled
"Portion of a Headlamp".
Baker et al., U.S. Appl. No. 29/314,636, filed Apr. 15, 2009, entitled
"Portion of a Flashlight".
Baker et al., U.S. Appl. No. 29/314,630, filed Apr. 15, 2009, entitled
"Portion of a Flashlight".
"All-Purpose Flashlight", Item # 4930, Crestline Custom Imprinted
Products, Summer 2008 Catalog, top right corner of p. 27.
Hesse et al., U.S. Appl. No. 29/296,218, filed Oct. 16, 2007, entitled
"Flashlight".
Hesse et al., U.S. Appl. No. 29/292,537, filed Oct. 16, 2007, entitled
"Flashlight".
Commercial Duracell battery (photograph), prior to Oct. 16, 2006.

* cited by examiner

FIG. 1

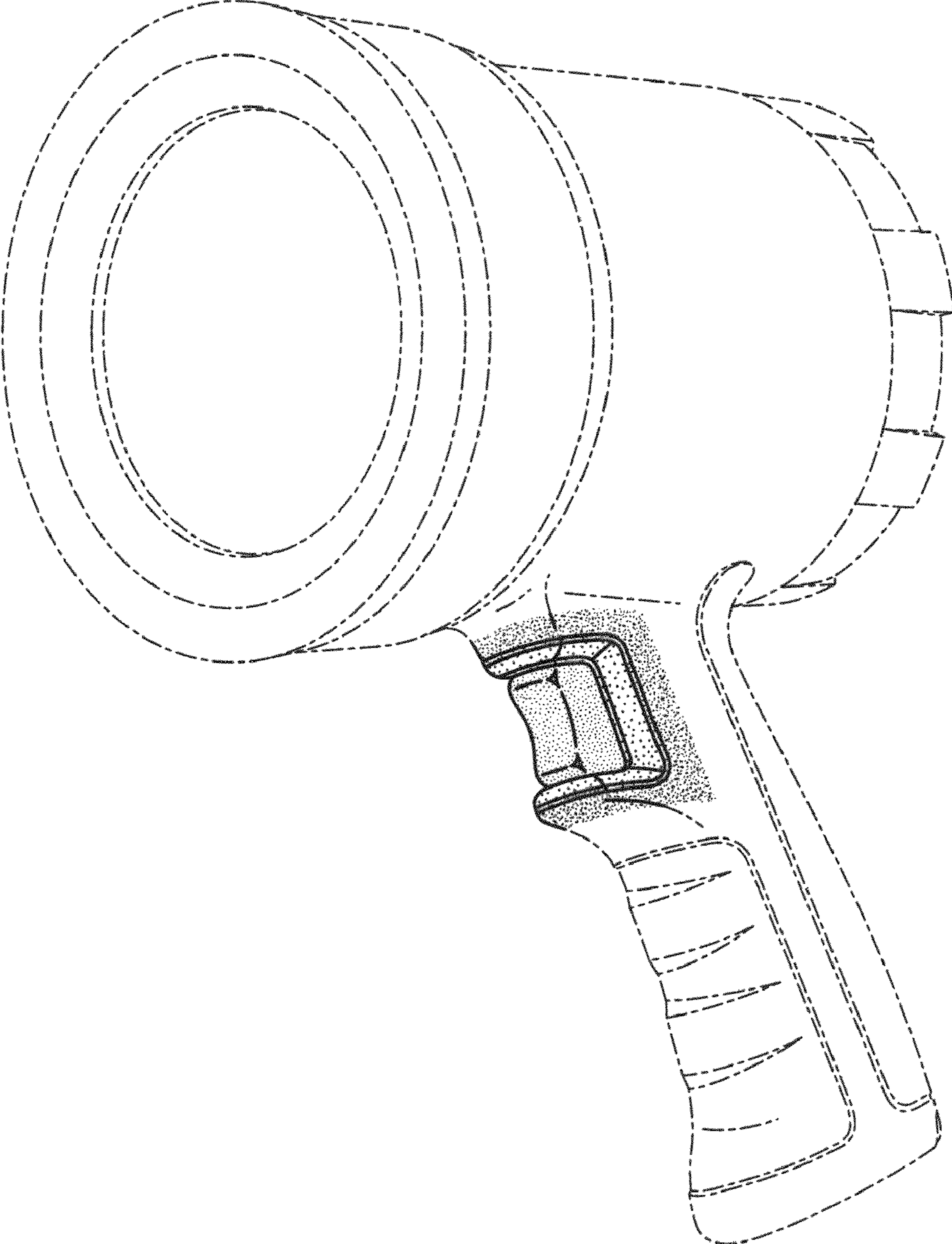


FIG. 2

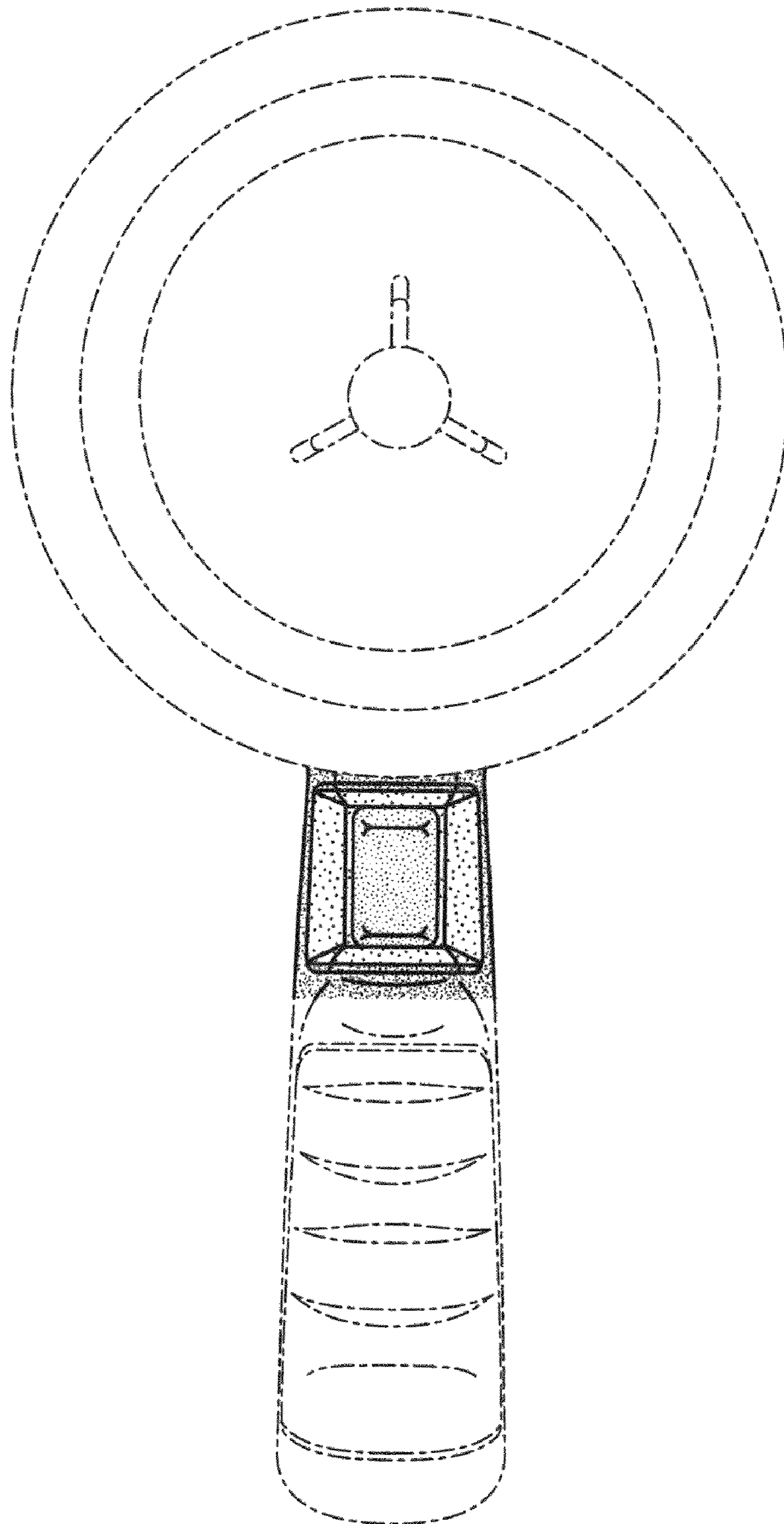


FIG. 3

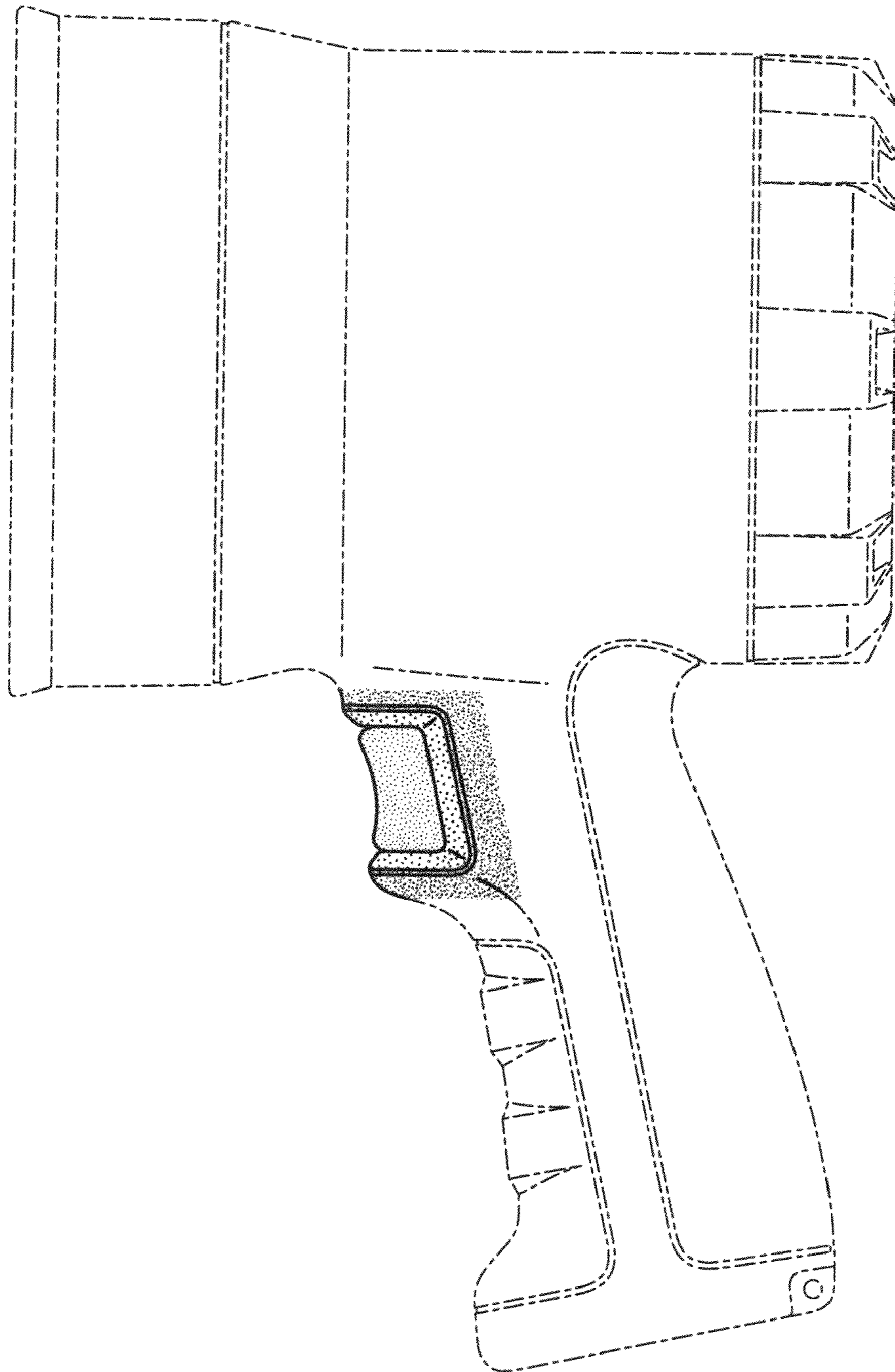


FIG. 4

