



US00D649270S

(12) **United States Design Patent**  
**Kim et al.**

(10) **Patent No.:** **US D649,270 S**

(45) **Date of Patent:** **\*\* Nov. 22, 2011**

(54) **PORTION OF A LED LAMP**

(56) **References Cited**

(75) Inventors: **Jihoo Kim**, Seoul (KR); **Tae Young Choi**, Seoul (KR); **Dong Nyung Lim**, Seoul (KR); **Sung Ho Kim**, Seoul (KR); **Cheonjoo Kim**, Seoul (KR)

U.S. PATENT DOCUMENTS

D531,741 S	*	11/2006	Takahashi	.....	D26/2
D553,267 S	*	10/2007	Yuen	.....	D26/2
D590,523 S	*	4/2009	Takahashi	.....	D26/2
D610,278 S	*	2/2010	Lin et al.	.....	D26/2
D617,475 S	*	6/2010	Hiraga et al.	.....	D26/2

(73) Assignee: **LG Innotek Co., Ltd.**, Seoul (KR)

\* cited by examiner

(\*\*) Term: **14 Years**

*Primary Examiner* — Marcus Jackson

(21) Appl. No.: **29/389,980**

(74) *Attorney, Agent, or Firm* — Lowe Hauptman Ham & Berner LLP

(22) Filed: **Apr. 19, 2011**

(57) **CLAIM**

The ornamental design for a portion of a LED lamp, as shown and described.

(30) **Foreign Application Priority Data**

**DESCRIPTION**

Oct. 22, 2010 (KR) ..... 30-2010-0045786

FIG. 1 is a perspective view of a portion of a LED lamp showing my/our new design;  
FIG. 2 is a front elevational view thereof;  
FIG. 3 is a rear elevational view thereof;  
FIG. 4 is a left side elevational view thereof;  
FIG. 5 is a right side elevational view thereof;  
FIG. 6 is a top plan view thereof;  
FIG. 7 is a bottom plan view thereof; and,  
FIG. 8 is a cross-sectional view of FIG. 1.  
LED is installed in the light emitting part.

(51) **LOC (9) Cl.** ..... **26-04**

(52) **U.S. Cl.** ..... **D26/2**

(58) **Field of Classification Search** ..... D26/1-4;  
313/313, 315, 316, 317, 318, 493; 315/52,  
315/53, 56, 57, 58

See application file for complete search history.

**1 Claim, 5 Drawing Sheets**

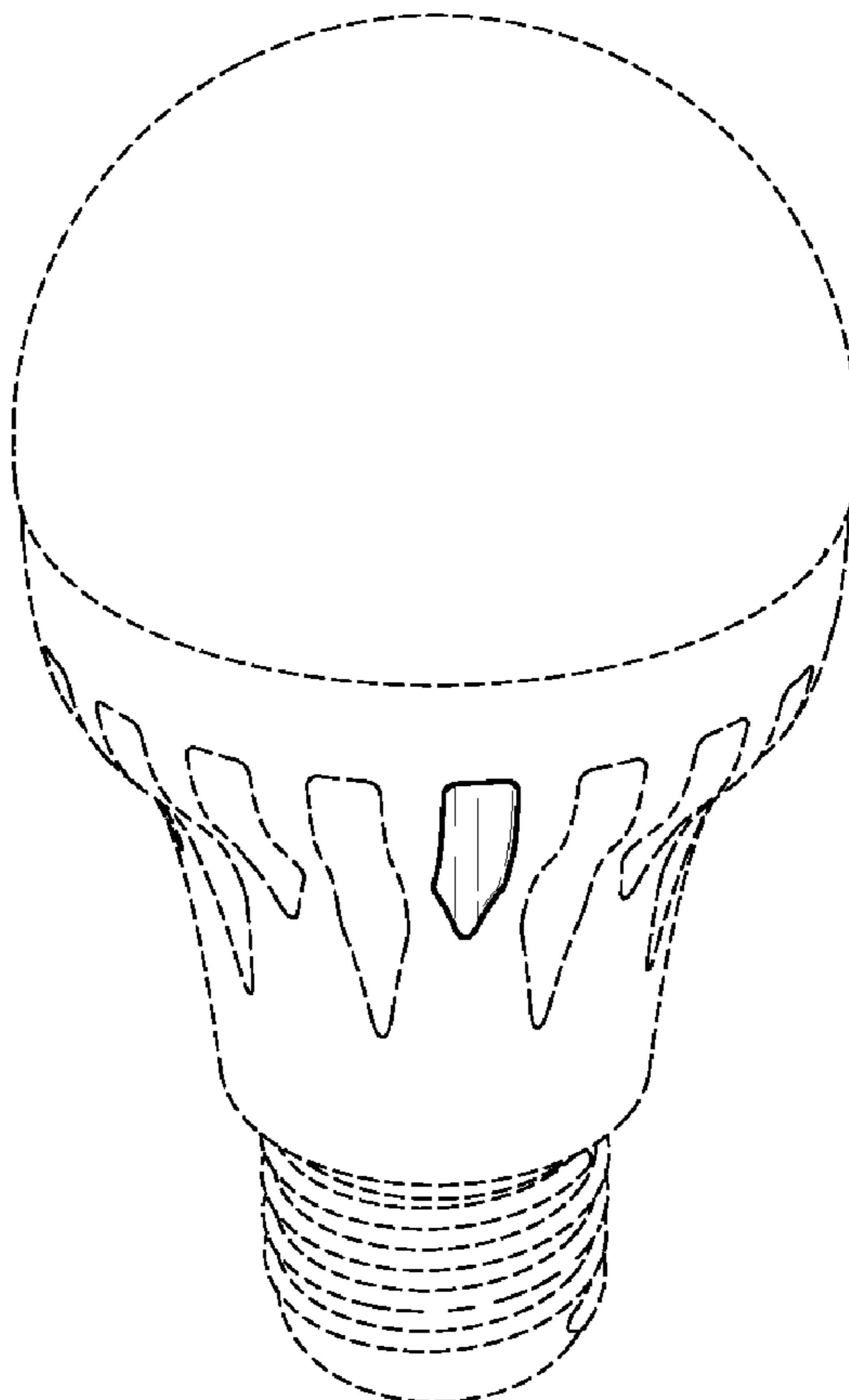


FIG. 1

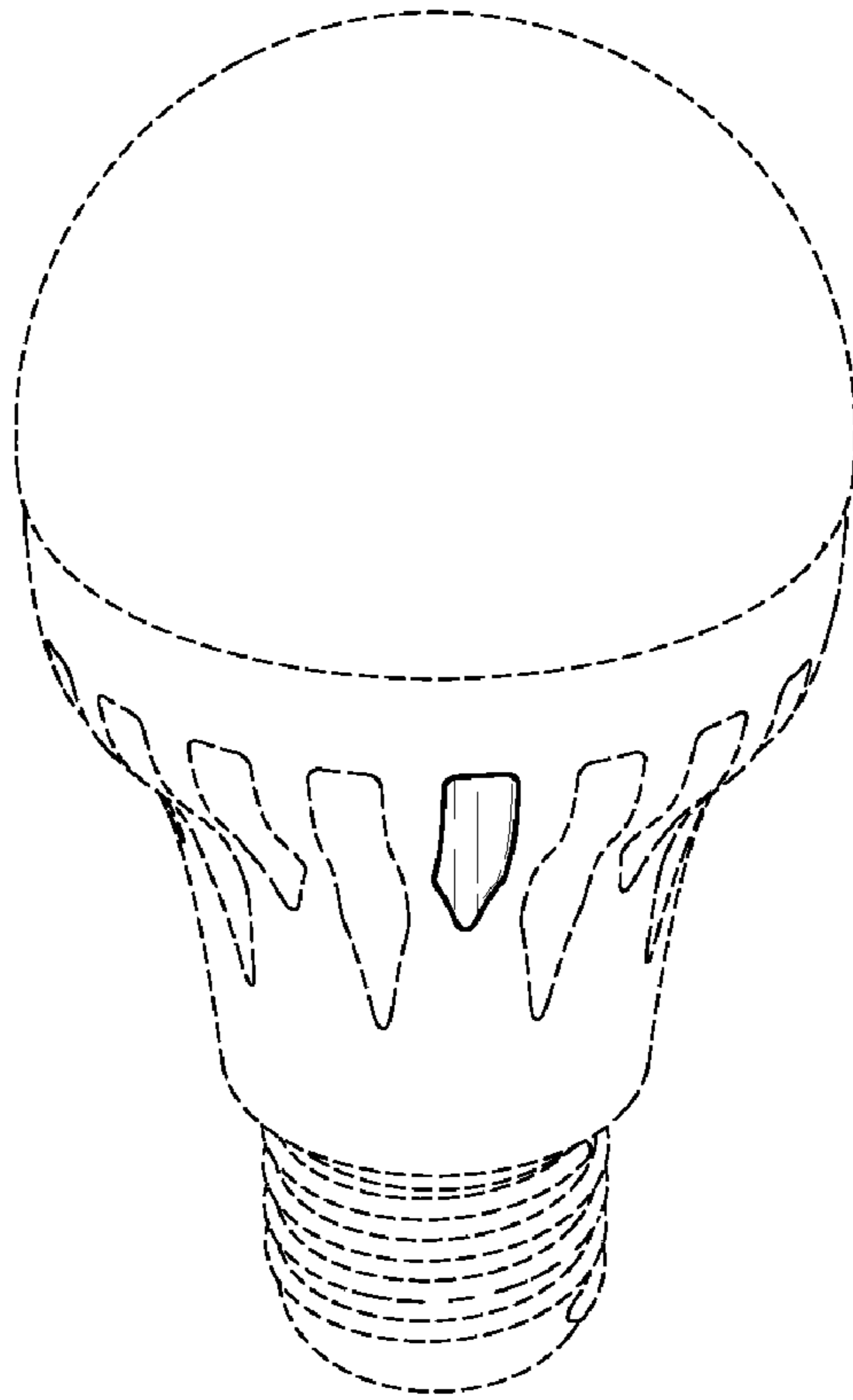


FIG. 2

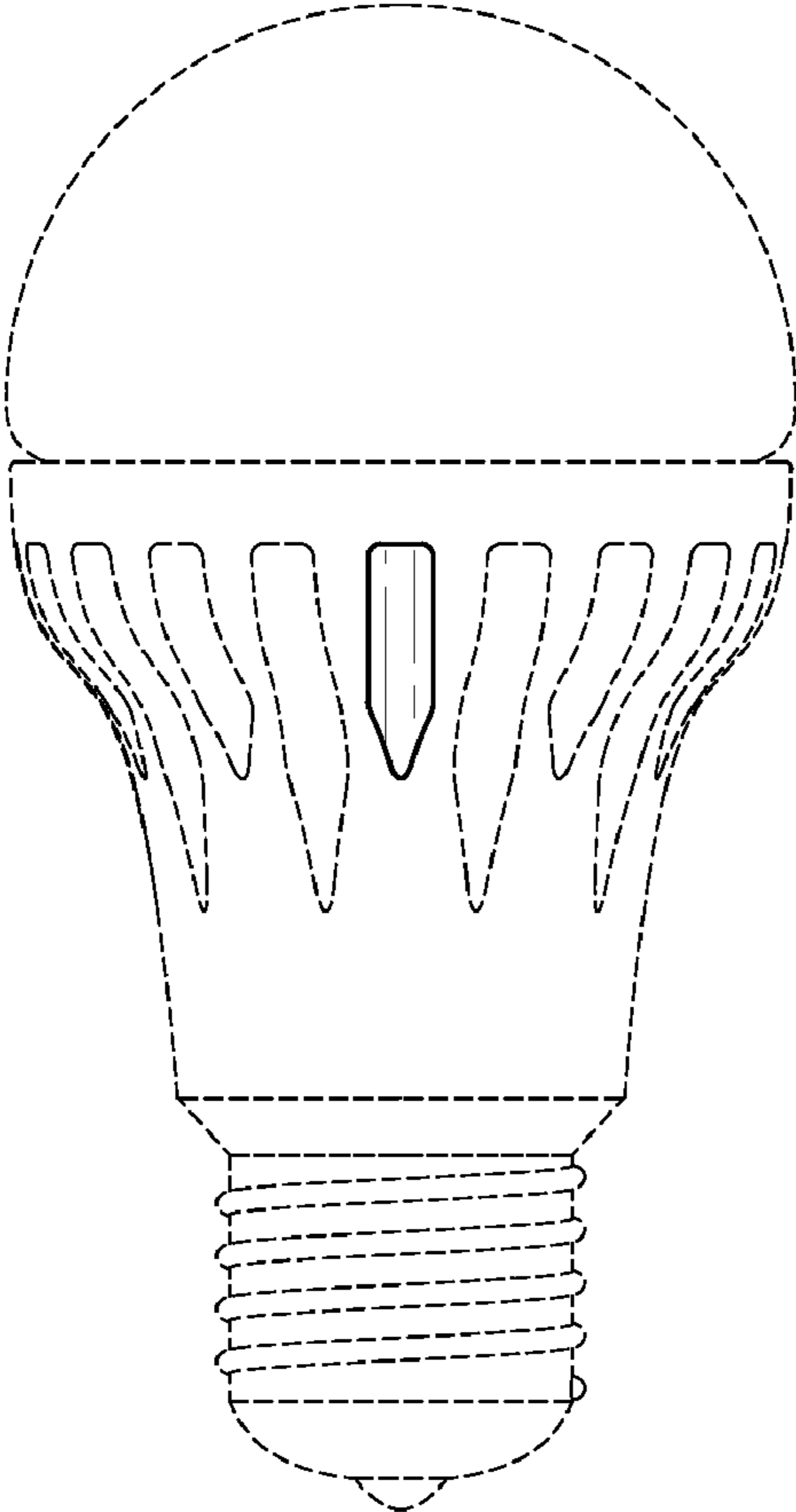


FIG. 3

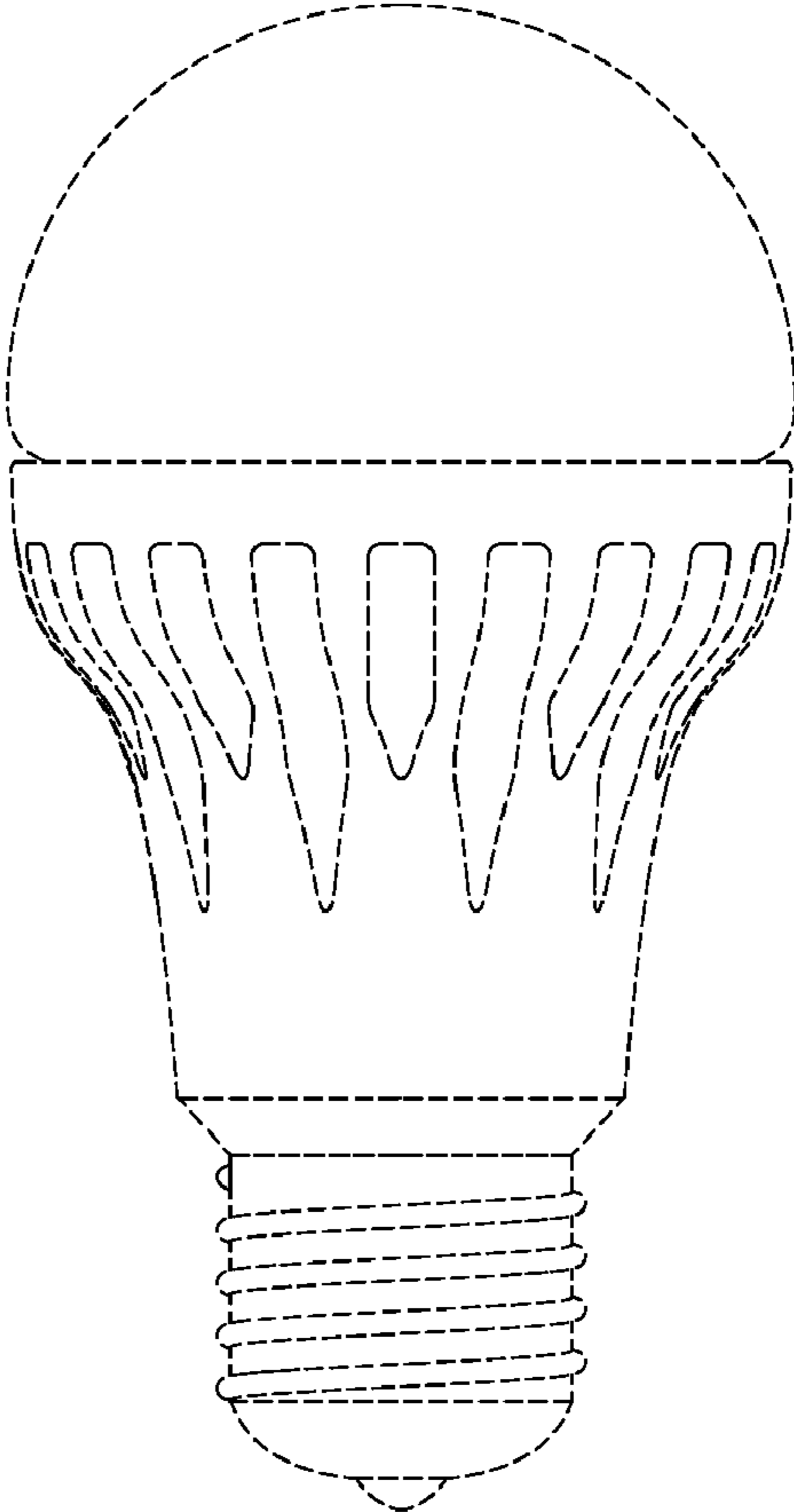


FIG. 4

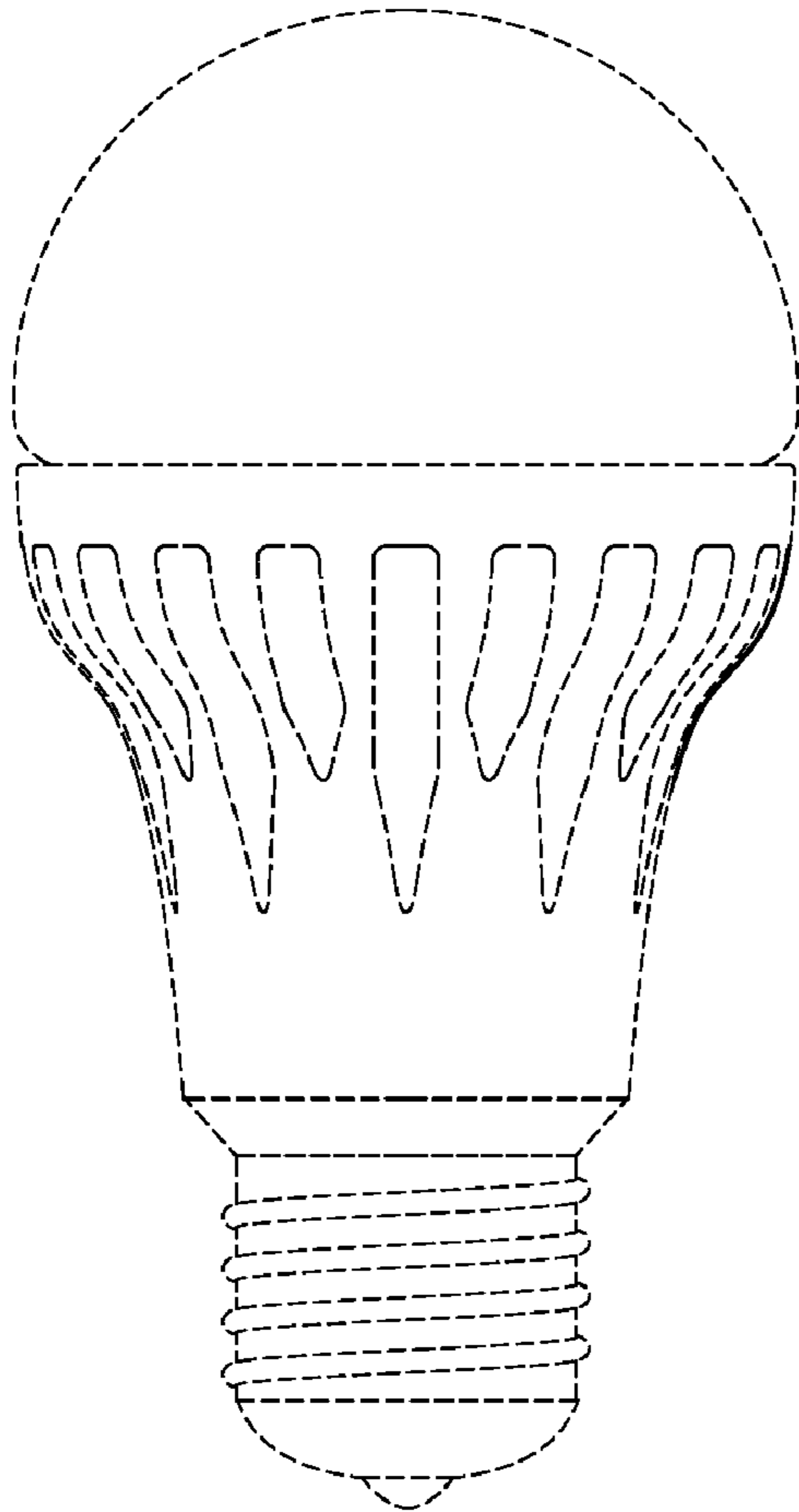


FIG. 5

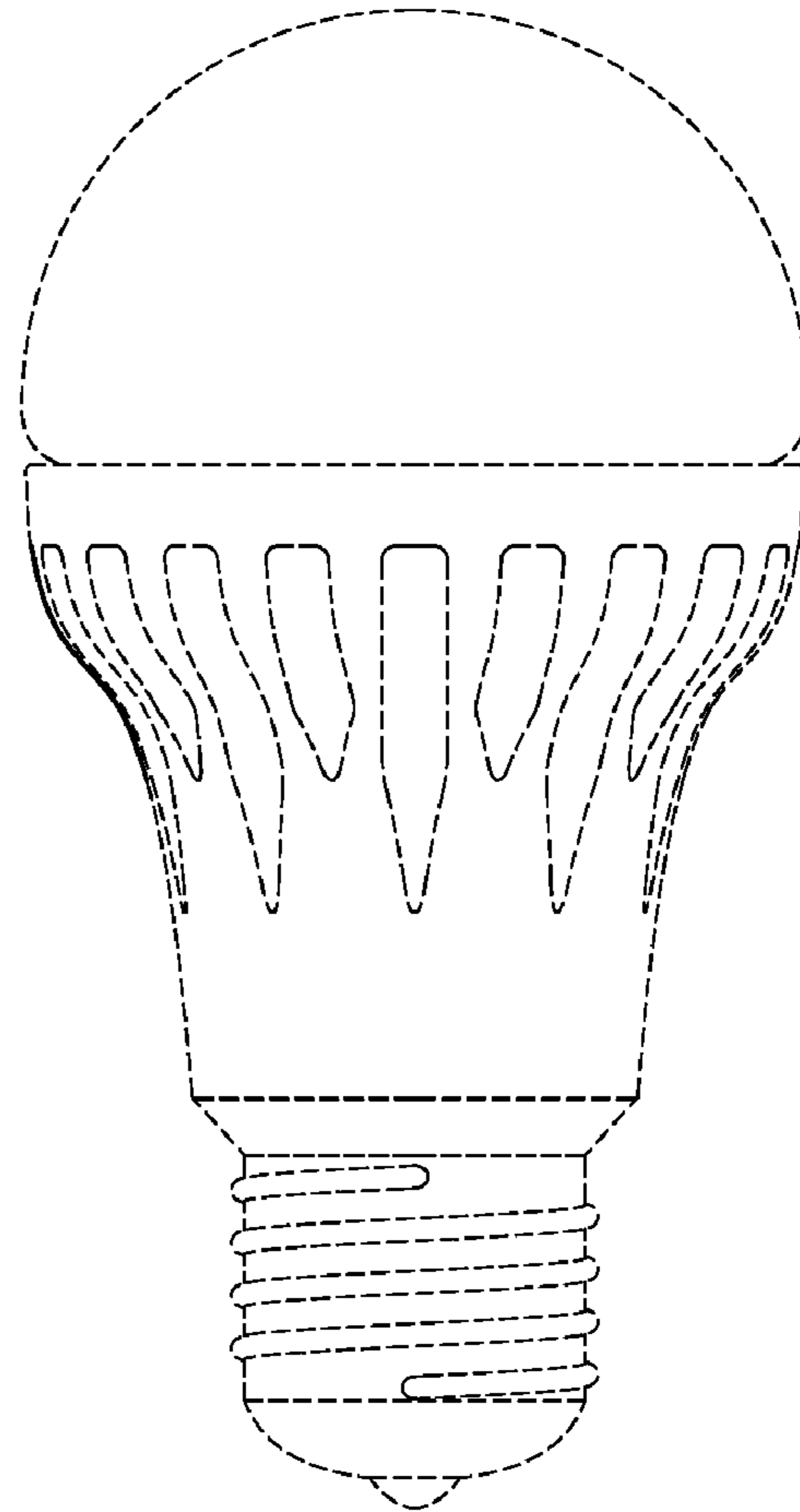


FIG. 6

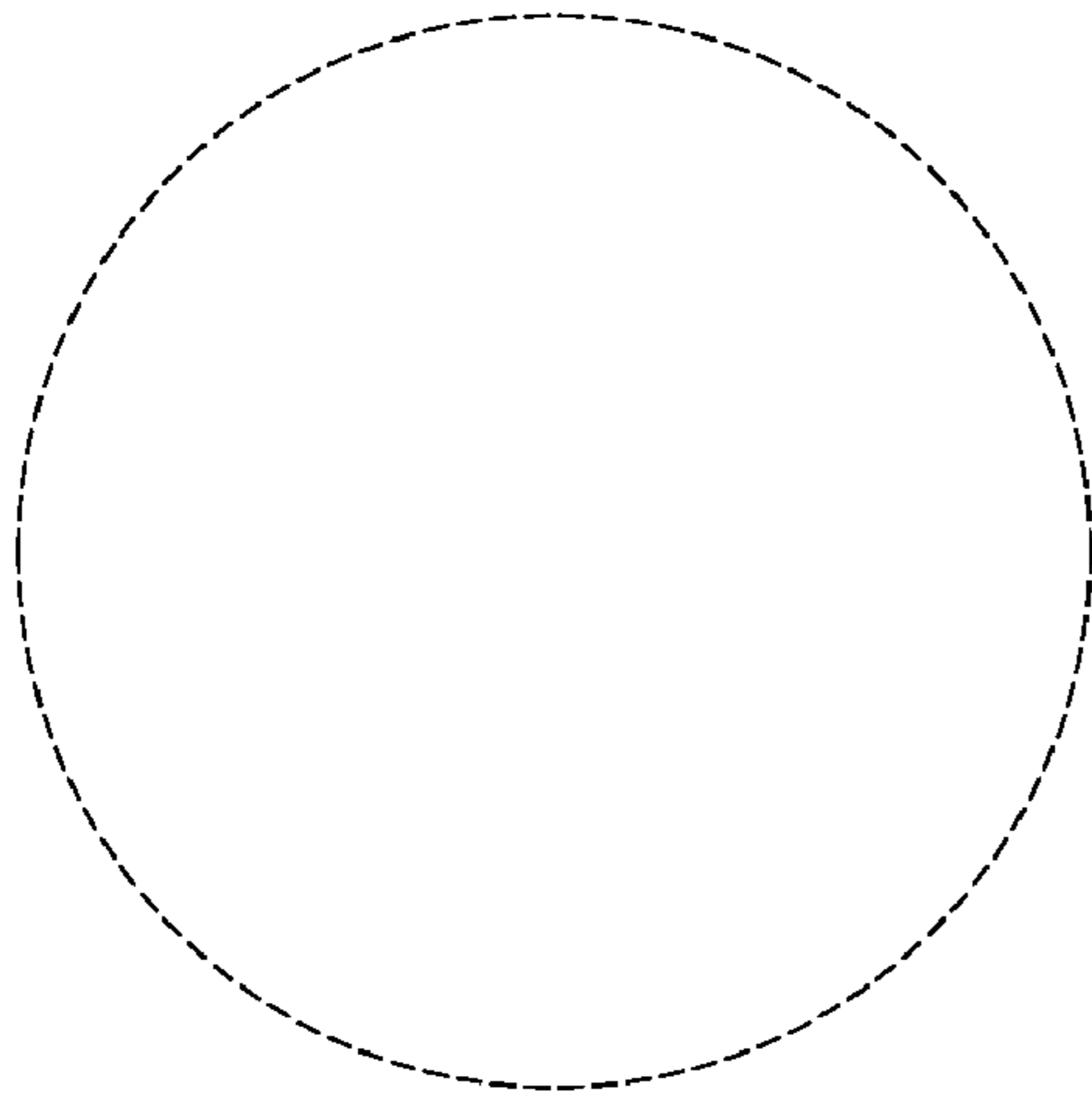


FIG. 7

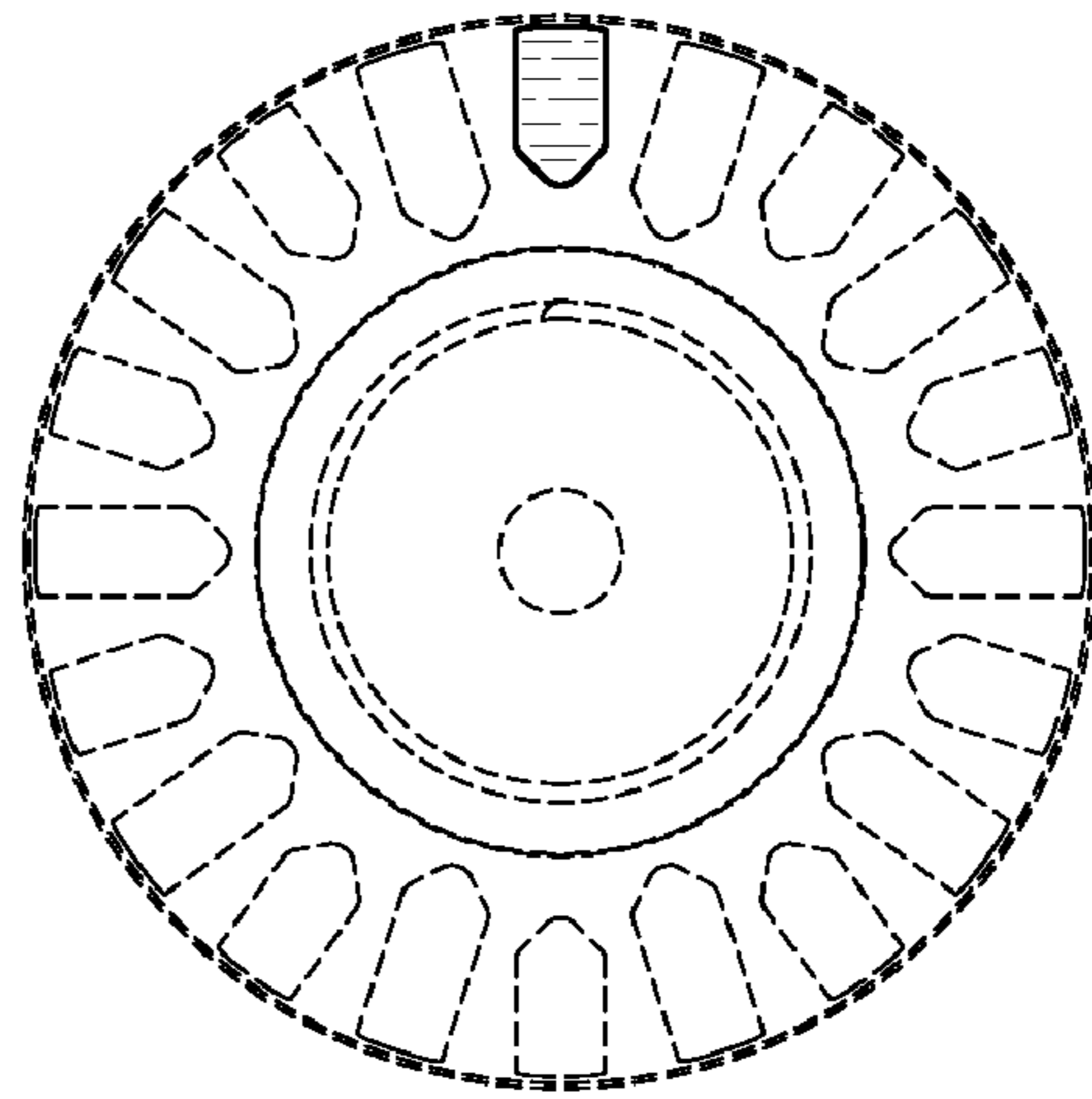


FIG. 8

