



US00D649267S

(12) **United States Design Patent**
Apgood, II et al.

(10) **Patent No.:** **US D649,267 S**

(45) **Date of Patent:** **** *Nov. 22, 2011**

- (54) **ATTACHMENT DEVICE**
- (75) Inventors: **William G. Apgood, II**, Holladay, UT (US); **Lenny Vainberg**, Mission Viejo, CA (US); **William G. Apgood**, Holladay, UT (US); **Robert Glenn**, Chicago, IL (US)
- (73) Assignee: **Red Star Traders, LLC**, Salt Lake City, UT (US)
- (**) Term: **14 Years**
- (21) Appl. No.: **29/329,011**
- (22) Filed: **Dec. 5, 2008**

4,615,448 A	10/1986	Johnstonbaugh	
4,629,076 A	12/1986	Amstutz et al.	
4,678,151 A	7/1987	Radek	
4,726,554 A	2/1988	Sorrell	
5,121,578 A *	6/1992	Holz	52/506.01
D338,076 S *	8/1993	Current	D25/123
5,348,167 A	9/1994	Jensen	
5,711,115 A *	1/1998	Wirt	52/36.3
D393,907 S *	4/1998	Current	D25/122
D395,089 S *	6/1998	Current	D25/123
D395,456 S *	6/1998	Ito et al.	D20/42
D399,010 S *	9/1998	Current	D25/123
D399,012 S *	9/1998	Current	D25/123
D400,270 S *	10/1998	Current	D25/123
5,819,490 A *	10/1998	Current	52/588.1

(Continued)

- (51) **LOC (9) Cl.** **25-01**
- (52) **U.S. Cl.** **D25/138**
- (58) **Field of Classification Search** D25/138,
D25/119-125, 58; 211/94.01, 94.02, 87.01,
211/106, 57.1, 59.1, 42, 43, 49.1, 85.26,
211/134, 133.2, 13.1, 71.01, 88.01, 190.01,
211/162, 189, 186; 248/222.51, 225.11,
248/235, 309.1; 108/91-93, 147.11; 312/237;
52/36.5, 588.1, 36.1, 36.4, 483.1; D6/509,
D6/396, 465, 449, 397, 474, 468, 574, 476-479,
D6/436-439, 553, 567, 492, 332, 511, 466,
D6/467, 457, 471

See application file for complete search history.

(56) **References Cited**

U.S. PATENT DOCUMENTS

1,803,016 A	4/1931	Harsted	
3,337,172 A *	8/1967	Jackson	248/222.51
D241,396 S *	9/1976	Copeland	D25/119
4,094,415 A	6/1978	Larson	
4,308,961 A	1/1982	Kunce	
4,420,087 A *	12/1983	Johns	211/189
4,452,360 A	6/1984	Barnes	
4,591,058 A	5/1986	Amstutz et al.	
4,607,753 A *	8/1986	Radek	211/94.01

OTHER PUBLICATIONS

Materials from www.newageproducts.com; Downloaded Jun. 3, 2008; 9 pages.

(Continued)

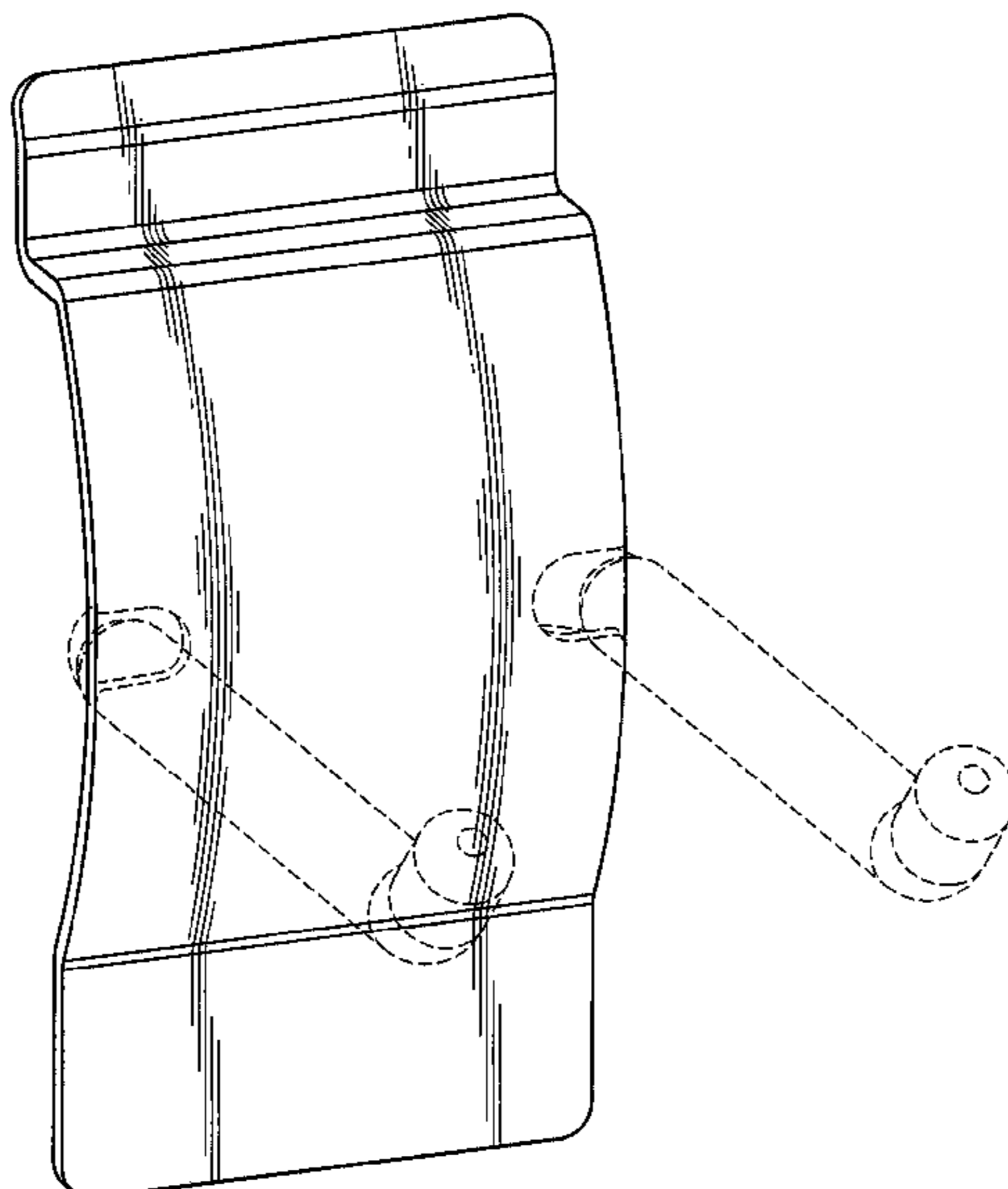
Primary Examiner — Mark Goodwin
(74) *Attorney, Agent, or Firm* — Workman Nydegger

(57) **CLAIM**
The ornamental design for an attachment device, as shown and described.

DESCRIPTION

FIG. 1 is a front perspective view of the attachment device; FIG. 2 is a rear perspective view of the attachment device; FIG. 3 is a front view of the attachment device; FIG. 4 is a top view of the attachment device; FIG. 5 is a left side view of the attachment device, with the right side view being a mirror image thereof; FIG. 6 is a rear view of the attachment device; and, FIG. 7 is a bottom view of the attachment device. The broken lines shown in the figures are for illustrative purposes only and form no part of the claimed design.

1 Claim, 4 Drawing Sheets



US D649,267 S

Page 2

U.S. PATENT DOCUMENTS

D403,085 S * 12/1998 Current D25/123
D404,148 S * 1/1999 Laskowski et al. D25/123
5,899,344 A * 5/1999 Current et al. 211/94.01
5,941,026 A 8/1999 Eisenreich et al.
5,944,203 A 8/1999 Vlah et al.
5,944,294 A 8/1999 Baer
D414,567 S * 9/1999 Burt et al. D25/123
5,983,574 A * 11/1999 Holztrager 52/36.5
6,050,426 A * 4/2000 Leurdijk 211/94.01
6,113,201 A * 9/2000 Bauer 312/245
6,119,878 A * 9/2000 Zen 211/94.01
6,134,846 A * 10/2000 Lamb 52/36.5
6,325,223 B1 * 12/2001 Hannen 211/87.01
6,393,877 B1 * 5/2002 Church 70/62
6,491,172 B2 12/2002 Chance et al.
D473,664 S 4/2003 Perkins et al.
6,578,498 B1 * 6/2003 Draudt et al. 108/50.02
D482,802 S * 11/2003 Yates, Jr. D25/121
D482,803 S * 11/2003 Yates, Jr. D25/121
D494,842 S * 8/2004 Perkins et al. D8/354
6,811,043 B2 11/2004 Perkins et al.
6,926,159 B1 8/2005 Cash et al.
6,926,160 B2 8/2005 Perkins et al.
6,971,614 B2 12/2005 Fischer et al.
7,055,703 B2 6/2006 Perkins et al.
7,104,023 B1 * 9/2006 Holztrager 52/705
D532,120 S * 11/2006 Holztrager D25/123
D533,283 S * 12/2006 Holztrager D25/123
7,147,115 B2 12/2006 Perkins et al.
7,175,034 B2 2/2007 Nook et al.
7,228,977 B2 * 6/2007 Perkins et al. 211/94.01
D549,563 S * 8/2007 Browne et al. D8/373
D552,687 S * 10/2007 Smalley D20/44
7,296,695 B2 11/2007 Perkins et al.
D583,965 S * 12/2008 Castellanos D25/125
D605,103 S * 12/2009 Schuephaus et al. D12/345
D611,272 S * 3/2010 Daino D6/491
D613,520 S * 4/2010 Goodman D6/396

7,717,279 B2 * 5/2010 Lawson 211/94.01
D617,583 S * 6/2010 Daino D6/491
D619,881 S * 7/2010 Shaha et al. D8/367
7,753,217 B2 * 7/2010 Lawson 211/94.01
7,757,869 B2 * 7/2010 Lawson 211/94.01
7,798,463 B2 * 9/2010 Morgenroth 248/475.1
7,806,279 B2 * 10/2010 Kubota 211/94.01
D627,179 S * 11/2010 Fabiano et al. D6/509
7,891,617 B2 * 2/2011 Tisbo 248/220.22
D633,315 S * 3/2011 Fabiano et al. D6/509
2003/0189019 A1 10/2003 Campbell et al.
2004/0108288 A1 6/2004 Breymaier et al.
2004/0124164 A1 * 7/2004 Perkins et al. 211/94.01
2005/0006539 A1 1/2005 Fischer et al.
2005/0029210 A1 * 2/2005 Perkins et al. 211/94.01
2006/0091094 A1 * 5/2006 Schuberth 211/94.01
2006/0180561 A1 8/2006 Wisnoski et al.
2007/0012636 A1 1/2007 Wisnoski et al.
2007/0181517 A1 * 8/2007 Perkins et al. 211/94.01
2007/0221594 A1 * 9/2007 Pierro 211/94.01
2009/0145867 A1 * 6/2009 Apgood et al. 211/94.01

OTHER PUBLICATIONS

Materials from www.newageproducts.com; Downloaded Sep. 18, 2008; 14 pages.

Welcome to HandiSolution™; URL: <http://web.archive.org/web/20060915195547/http://www.handiwall.com/>; 2 pages.

USPTO, Office Action dated May 11, 2011 in U.S. Appl. No. 12/328,761 (22 pages).

ISA-USPTO, International Search Report and Written Opinion dated Jul. 7, 2010 from PCT Patent Application No. PCT/US2010/034305 (11 pages).

ISA-USPTO, International Search Report and Written Opinion dated Feb. 12, 2009 from PCT Patent Application No. PCT/US2008/085687 (7 pages).

USPTO, Office Action dated May 24, 2011 from U.S. Appl. No. 29/329,009 (6 pages).

* cited by examiner

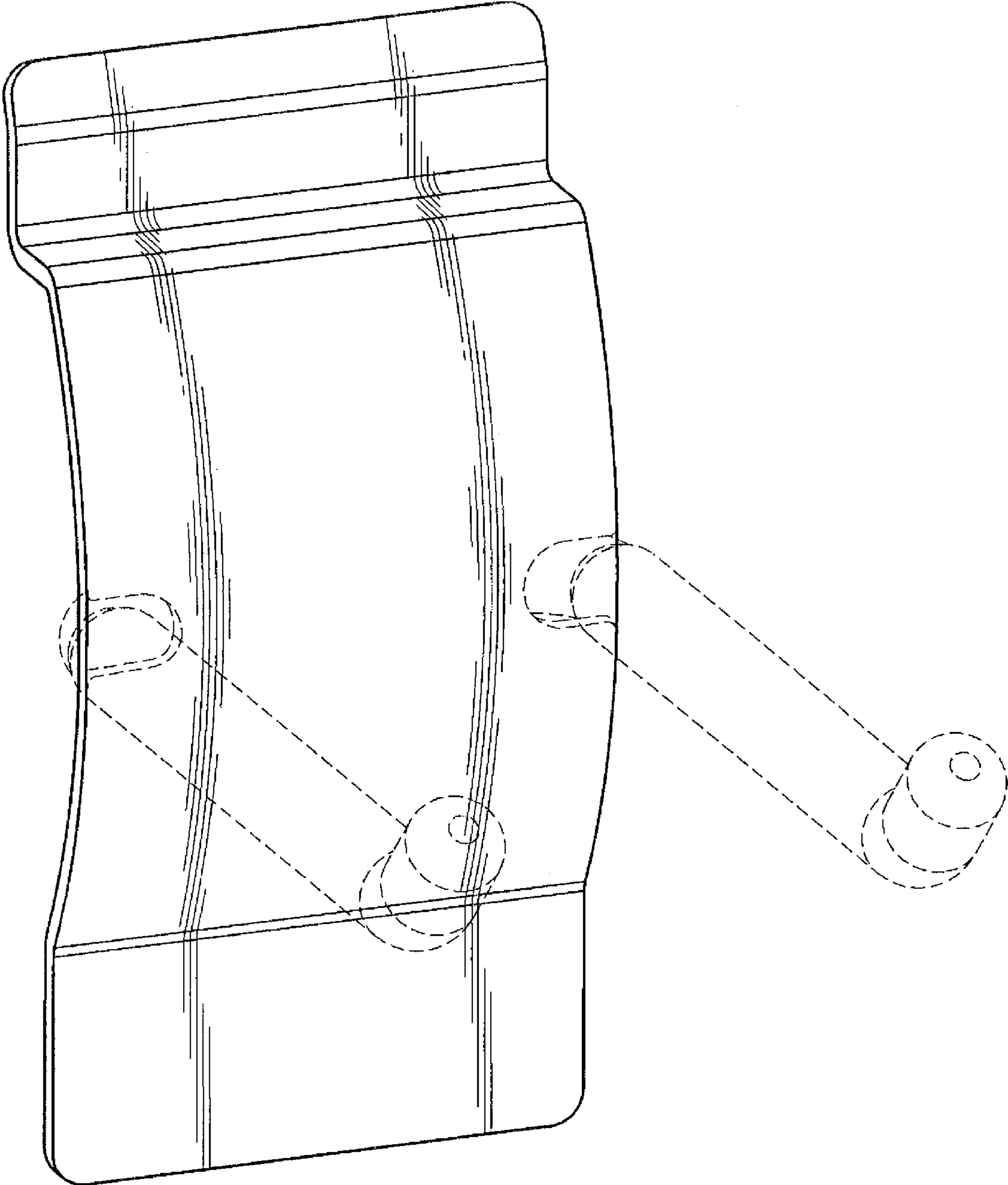


FIG. 1

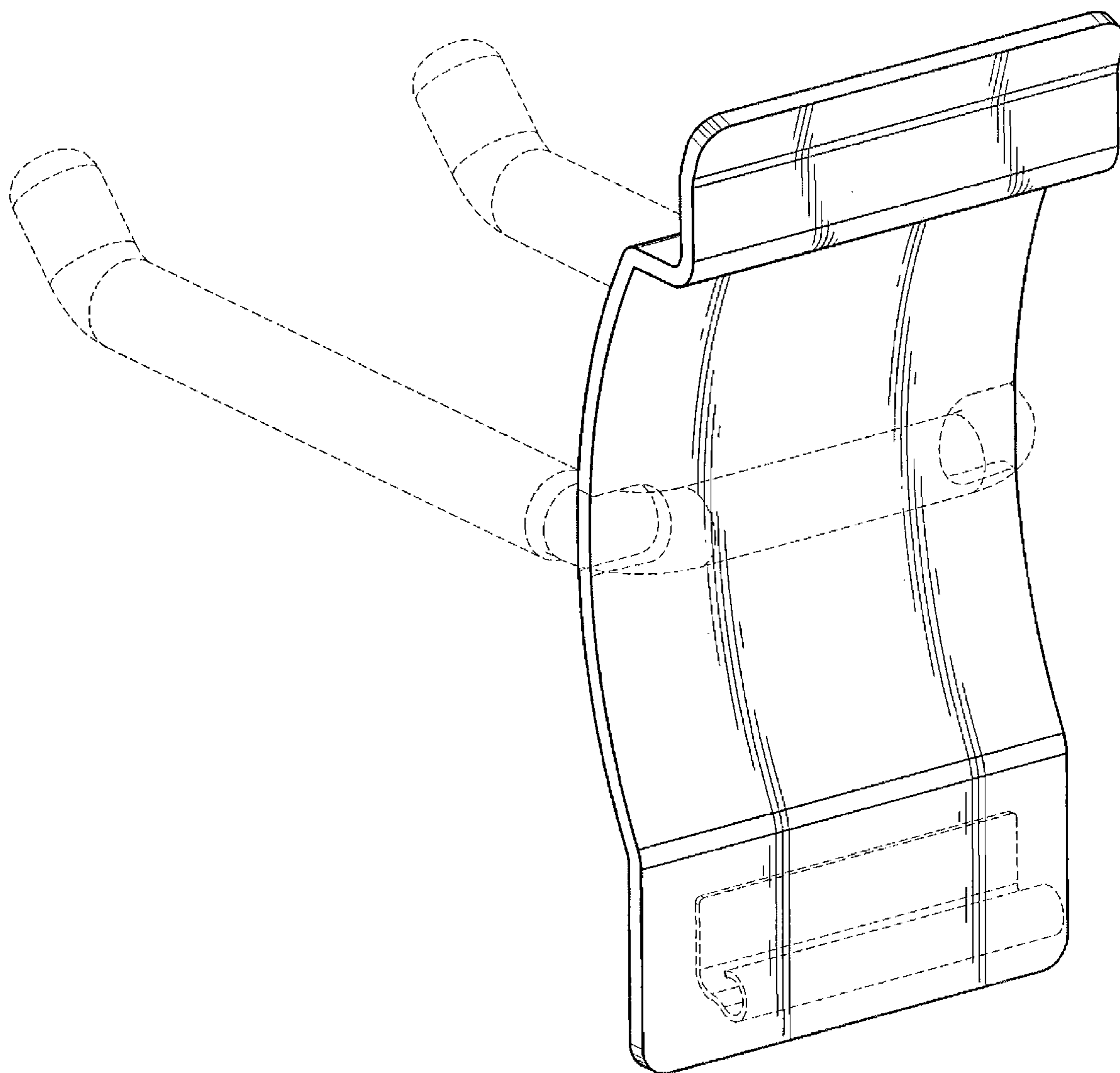


FIG. 2

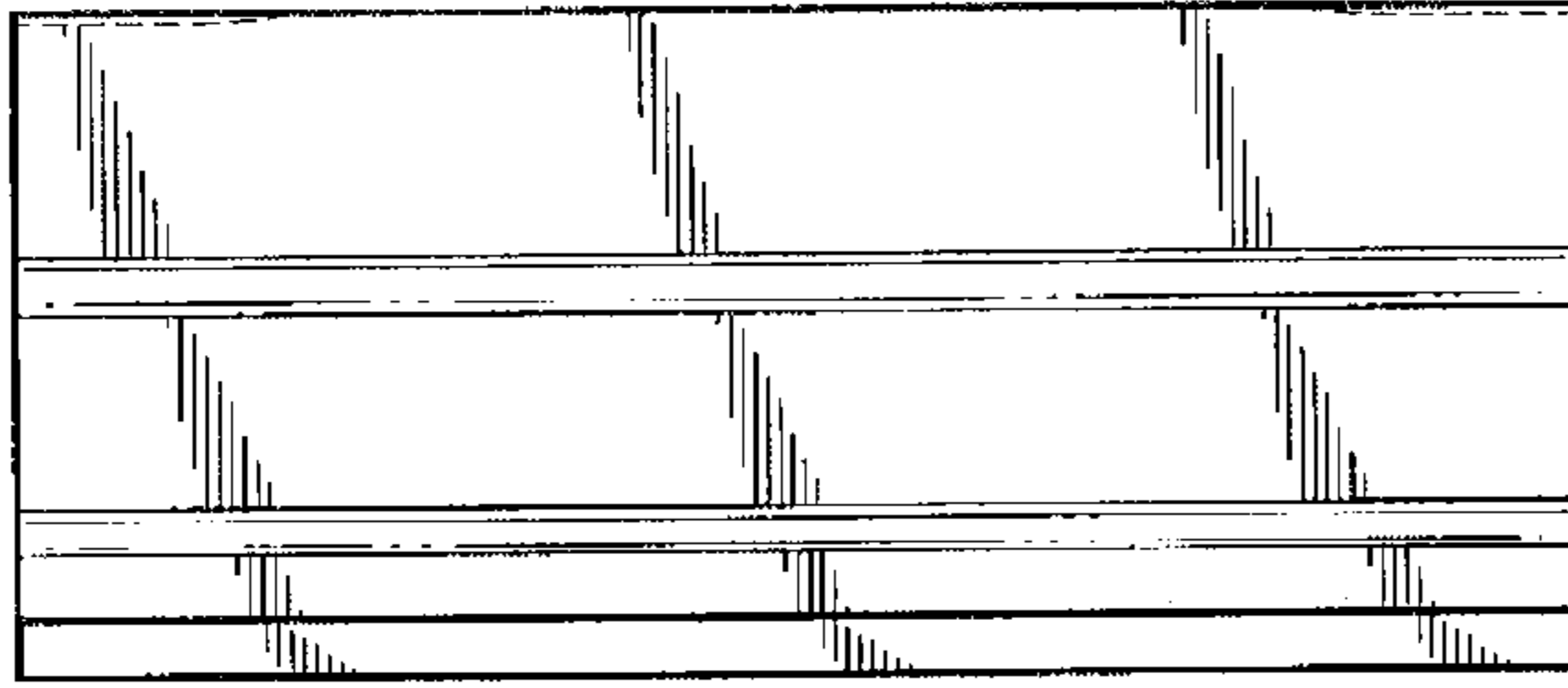


FIG. 4

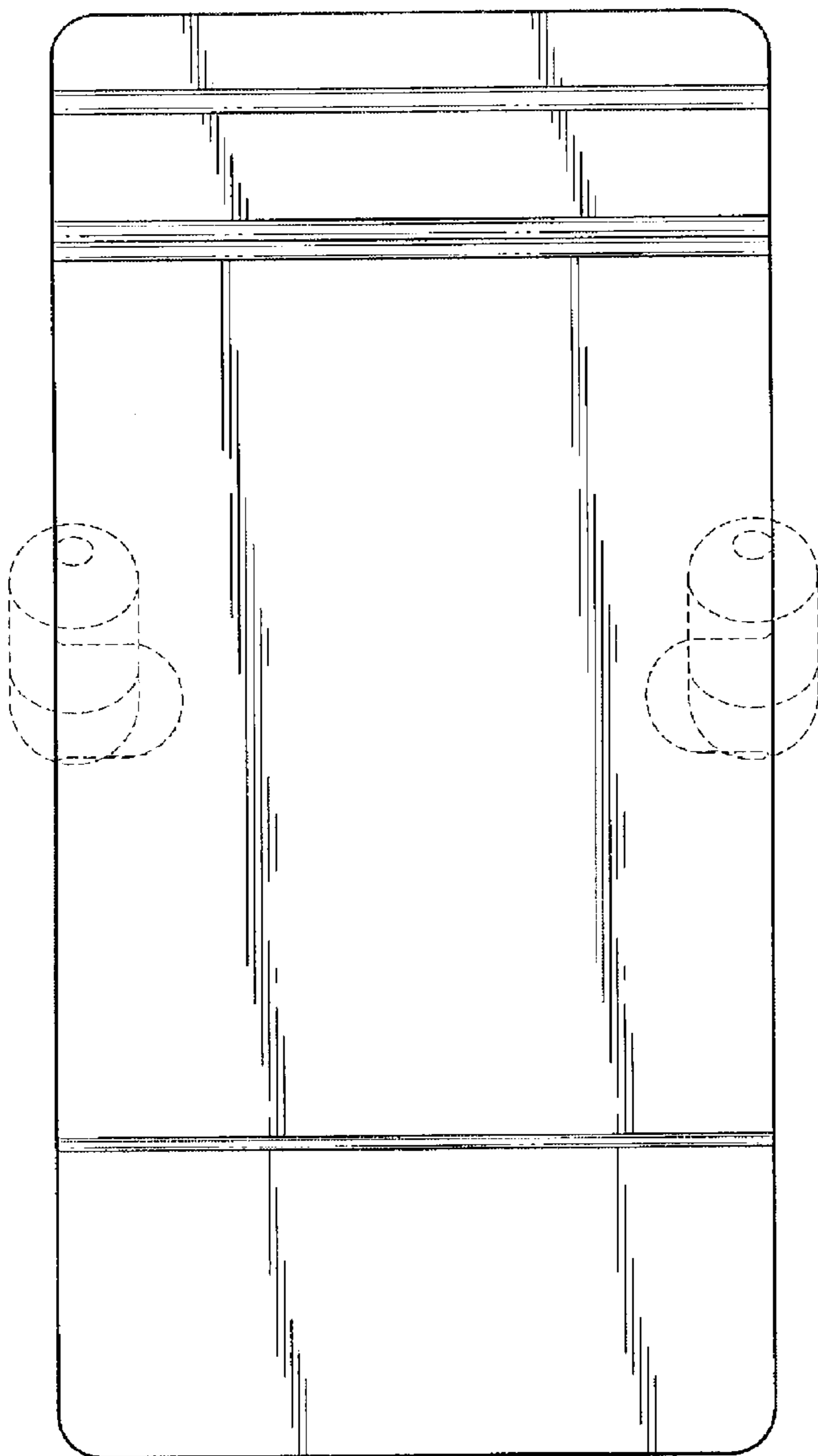


FIG. 3

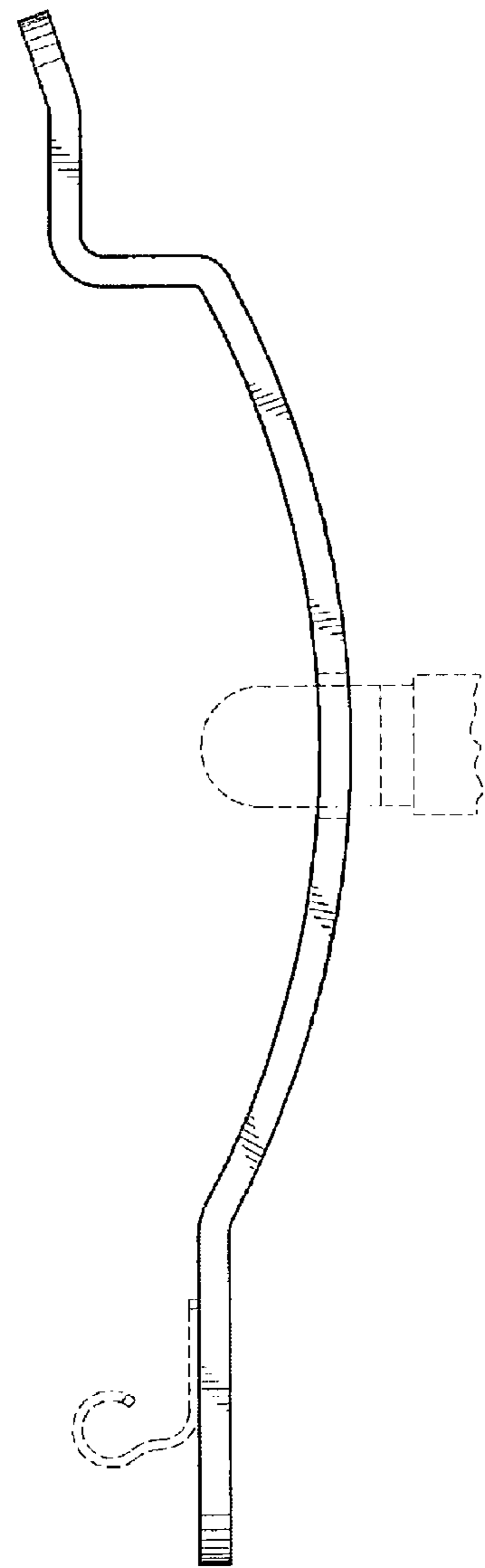


FIG. 5

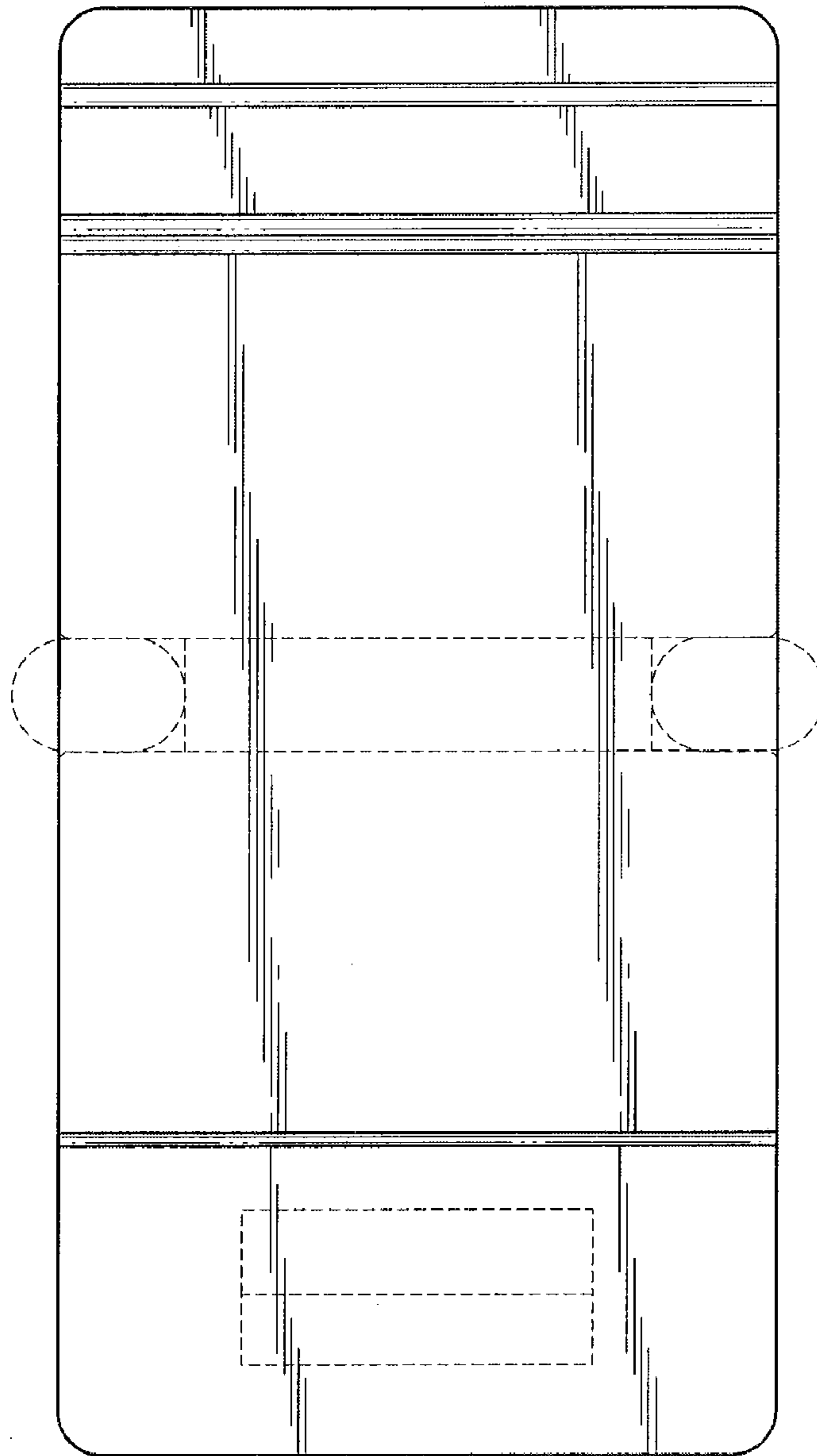


FIG. 6

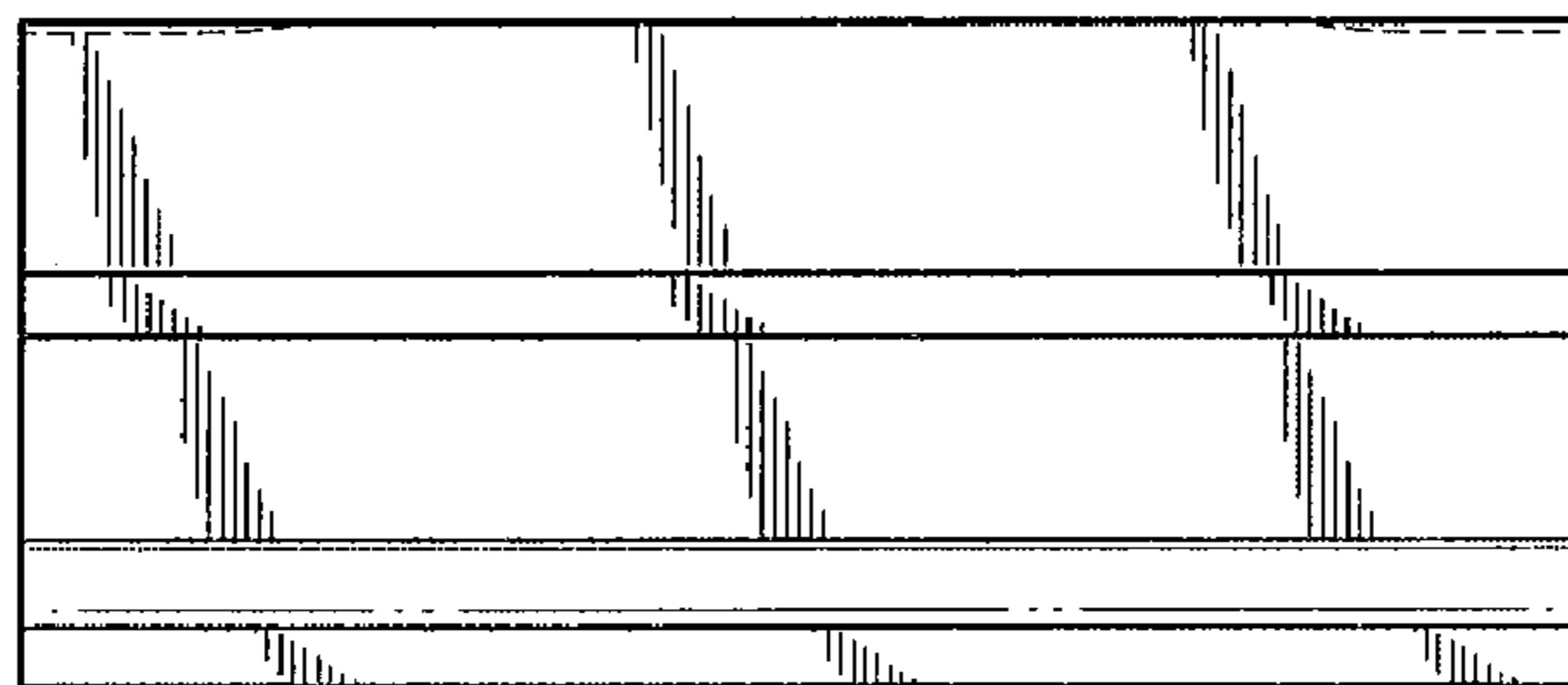


FIG. 7