



US00D649266S

(12) **United States Design Patent**
Knight et al.

(10) **Patent No.:** **US D649,266 S**

(45) **Date of Patent:** **** Nov. 22, 2011**

(54) **J CHANNEL**

(76) Inventors: **Douglas James Knight**, Deer Park, WA (US); **David Allen Knight**, Deer Park, WA (US); **Kenneth Lee Knight**, Deer Park, WA (US); **Harley W. Simonson**, Deer Park, WA (US)

(**) Term: **14 Years**

(21) Appl. No.: **29/348,952**

(22) Filed: **Feb. 25, 2010**

(51) **LOC (9) Cl.** **25-01**

(52) **U.S. Cl.** **D25/126**

(58) **Field of Classification Search** D25/120,
D25/119, 126; 52/579, 481.1, 204.71, 800.12,
52/800.17, 800.15, 650.1, 831, 838
See application file for complete search history.

(56) **References Cited**

U.S. PATENT DOCUMENTS

D404,806 S * 1/1999 Callahan D23/304
6,058,668 A * 5/2000 Herren 52/241

6,343,454 B1 * 2/2002 Fisher 52/782.2
6,381,916 B1 * 5/2002 Maisch et al. 52/846
D498,003 S * 11/2004 Brabeck D25/125
D609,825 S * 2/2010 Clarke et al. D25/126

* cited by examiner

Primary Examiner — Doris Clark

(74) *Attorney, Agent, or Firm* — William A. Jeckle

(57) **CLAIM**

We claim the ornamental design for a J channel, as shown and described.

DESCRIPTION

FIG. 1 is an isometric front, top and left side view of the J channel showing our design.

FIG. 2 is an elevation side view thereof.

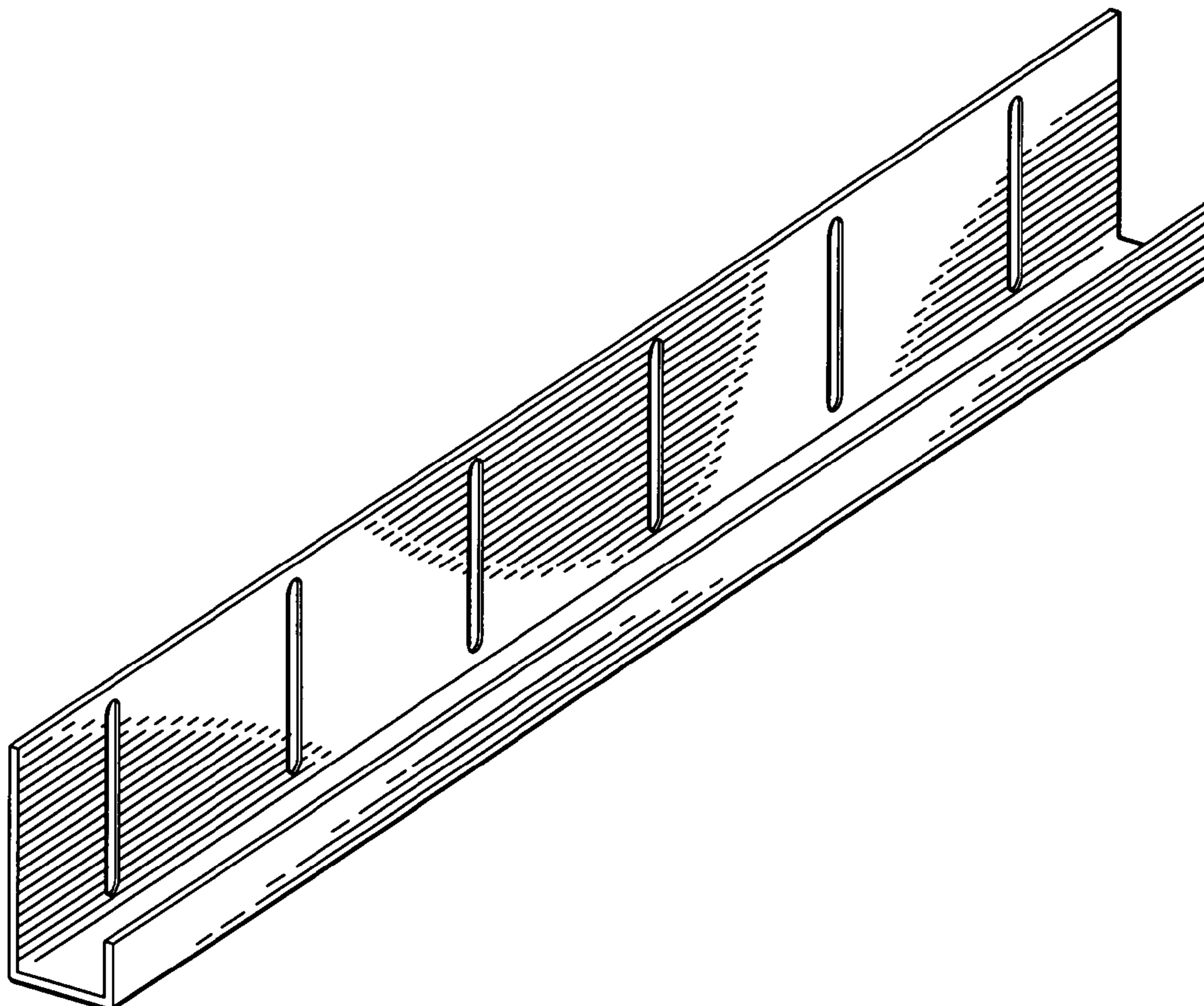
FIG. 3 is an elevation back view thereof.

FIG. 4 is a bottom view thereof.

FIG. 5 is an elevation front view thereof; and,

FIG. 6 is a top view thereof.

1 Claim, 2 Drawing Sheets



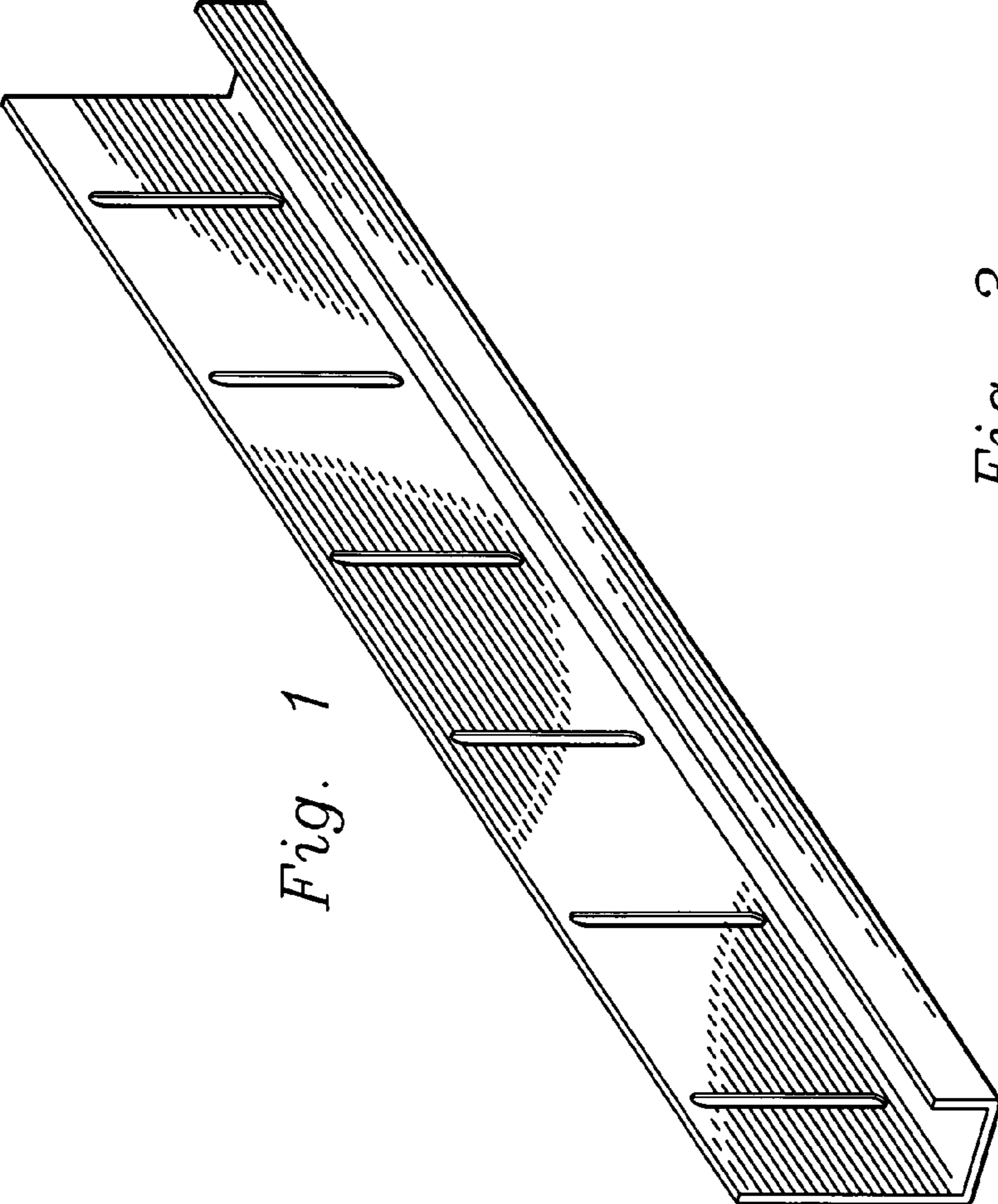


Fig. 1



Fig. 2

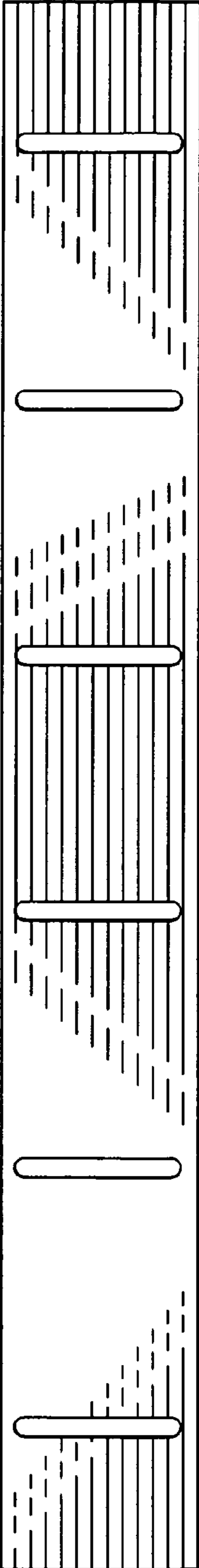


Fig. 3

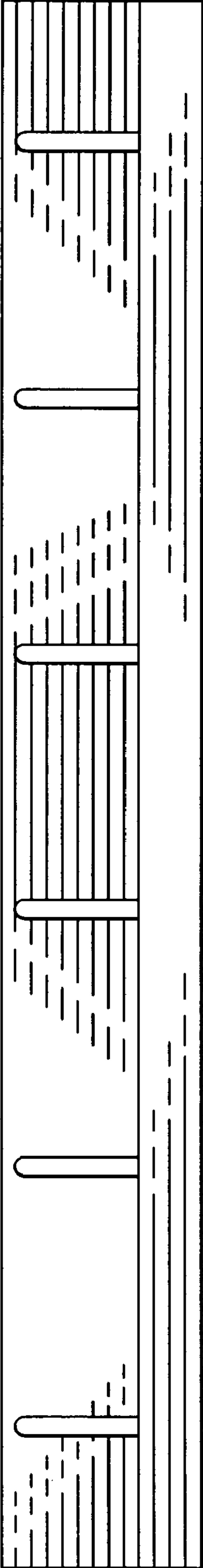


Fig. 5

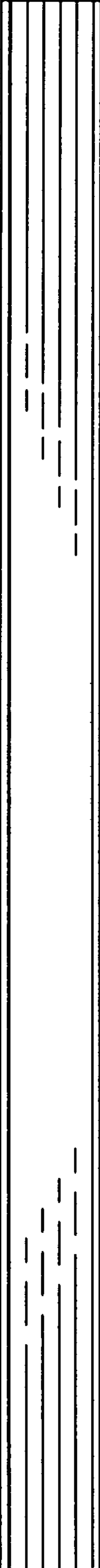


Fig. 6



Fig. 4